



US00D973572S

(12) **United States Design Patent** (10) **Patent No.:** **US D973,572 S**
Min (45) **Date of Patent:** **** Dec. 27, 2022**

(54) **TENT**

(71) Applicant: **Xiaoping Min**, Shanghai (CN)

(72) Inventor: **Xiaoping Min**, Shanghai (CN)

(**) Term: **15 Years**

(21) Appl. No.: **29/819,696**

(22) Filed: **Dec. 16, 2021**

(30) **Foreign Application Priority Data**

Nov. 2, 2021 (CN) 202130718740.X

(51) **LOC (13) Cl.** **12-16**

(52) **U.S. Cl.**
USPC **D12/403; D21/837**

(58) **Field of Classification Search**
USPC D21/834, 837, 838; D12/403
CPC E04H 15/48; E04H 15/42; E04H 15/46;
E04H 15/00; E04H 15/405; E04H 15/003;
E04H 1/1244; E04H 2015/203; E04H
4/108; E04H 15/06; E04H 15/02
See application file for complete search history.

(56) **References Cited**

U.S. PATENT DOCUMENTS

3,217,722 A *	11/1965	Heise	E04H 15/04 52/63
D291,074 S *	7/1987	Ravana	D12/403
D318,446 S *	7/1991	Magyar	D12/403
D779,612 S *	2/2017	Cheng	D21/838
D879,231 S	3/2020	Zhu	
D919,734 S *	5/2021	Shields	D21/837
D921,147 S	6/2021	Brensinger et al.	
D926,908 S	8/2021	Wright et al.	
2017/0234031 A1 *	8/2017	O'Sullivan	E04H 15/56 135/115

OTHER PUBLICATIONS

Hasika, Car Tent, Aug. 3, 2022, amazon.com, retrieved Sep. 21, 2022, https://www.amazon.com/gp/product/B0B8GJRYGH/ref=ask_ql_qh_dp_hza (Year: 2022).*
Hasika, Car Tent, Aug. 11, 2022, amazon.com, retrieved Sep. 21, 2022, https://www.amazon.com/Universal-Tailgate-Hatchback-Capacity-Accessories/dp/B09VNXP76C/ref=cm_cr_arp_d_product_top?ie=UTF8&th=1 (Year: 2022).*

* cited by examiner

Primary Examiner — Katherine A Holbrow

(74) *Attorney, Agent, or Firm* — Che-Yang Chen; Law Office of Michael Chen

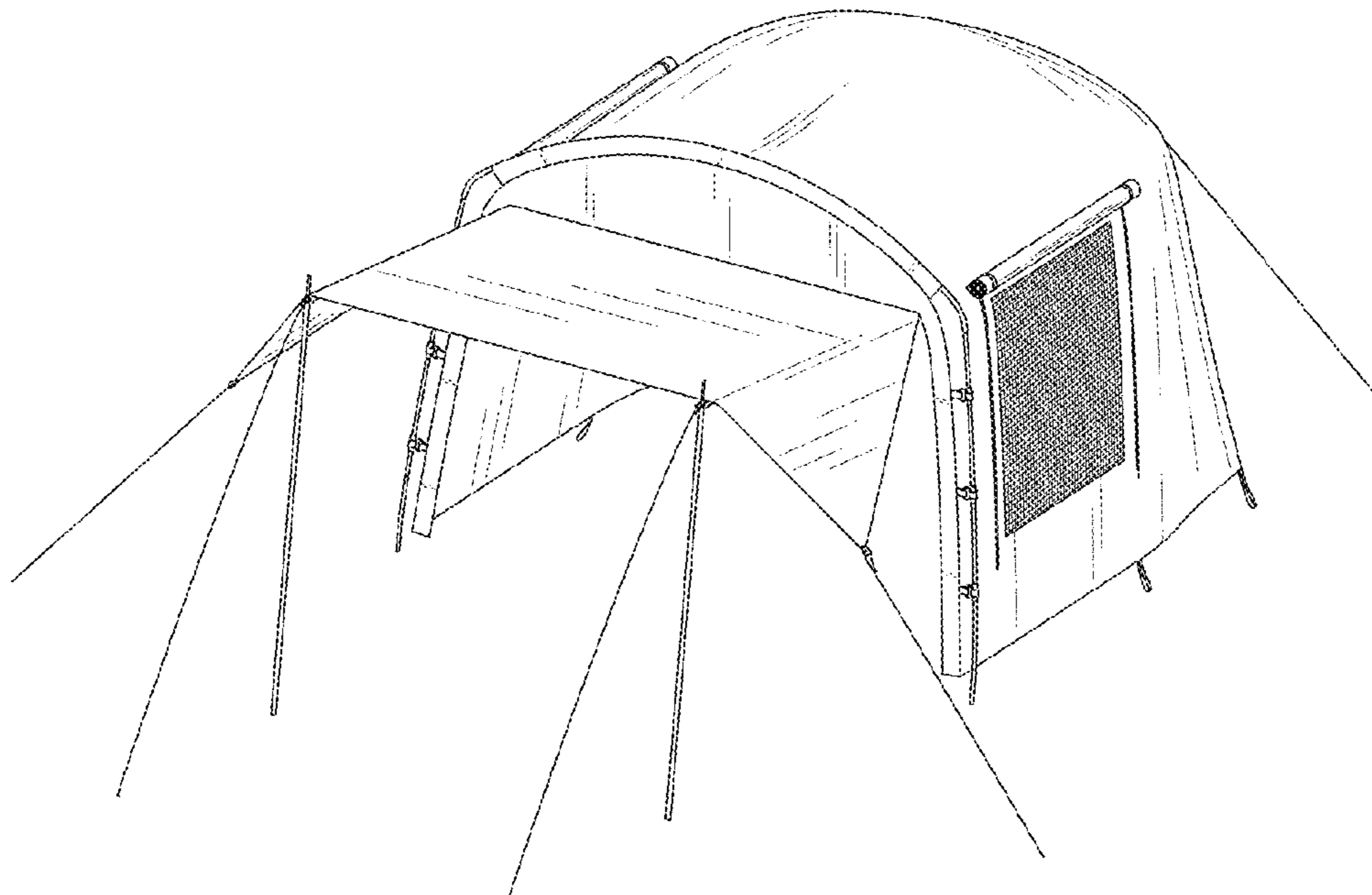
(57) **CLAIM**

The ornamental design for a tent, as shown and described.

DESCRIPTION

FIG. 1 is a perspective view of the tent showing my new design;
FIG. 2 is a perspective view thereof from another angle;
FIG. 3 is a front elevational view thereof;
FIG. 4 is a rear elevational view thereof;
FIG. 5 is a left side elevational view thereof;
FIG. 6 is a right side elevational view thereof;
FIG. 7 is a top plan view thereof;
FIG. 8 is a bottom plan view thereof;
FIG. 9 is an enlarged view of a portion indicated with numeric 9 in FIG. 2;
FIG. 10 is an enlarged view of a portion indicated with numeric 10 in FIG. 2; and,
FIG. 11 is an enlarged view of a portion indicated with numeric 11 in FIG. 2.

1 Claim, 11 Drawing Sheets



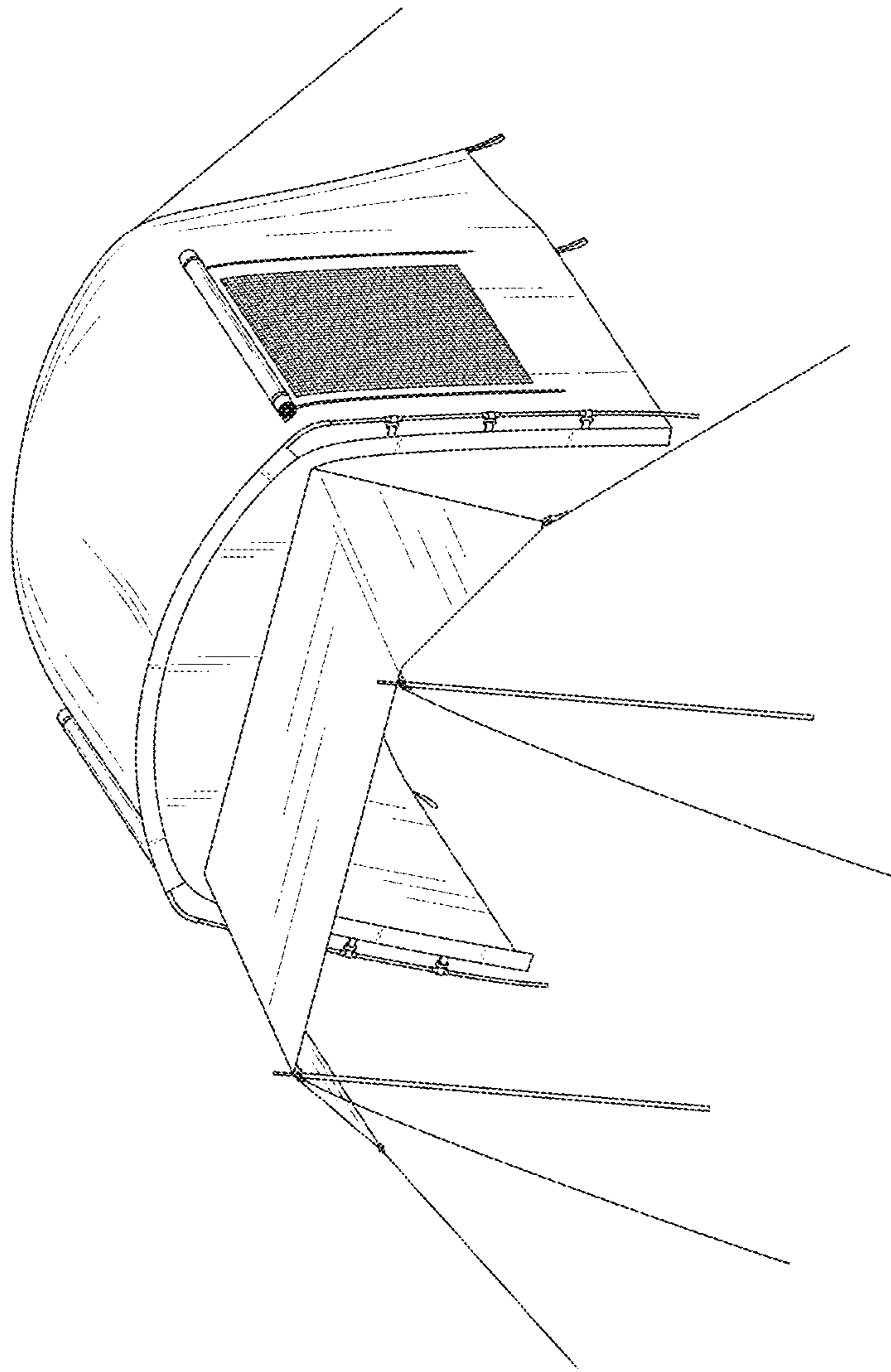


FIG.1

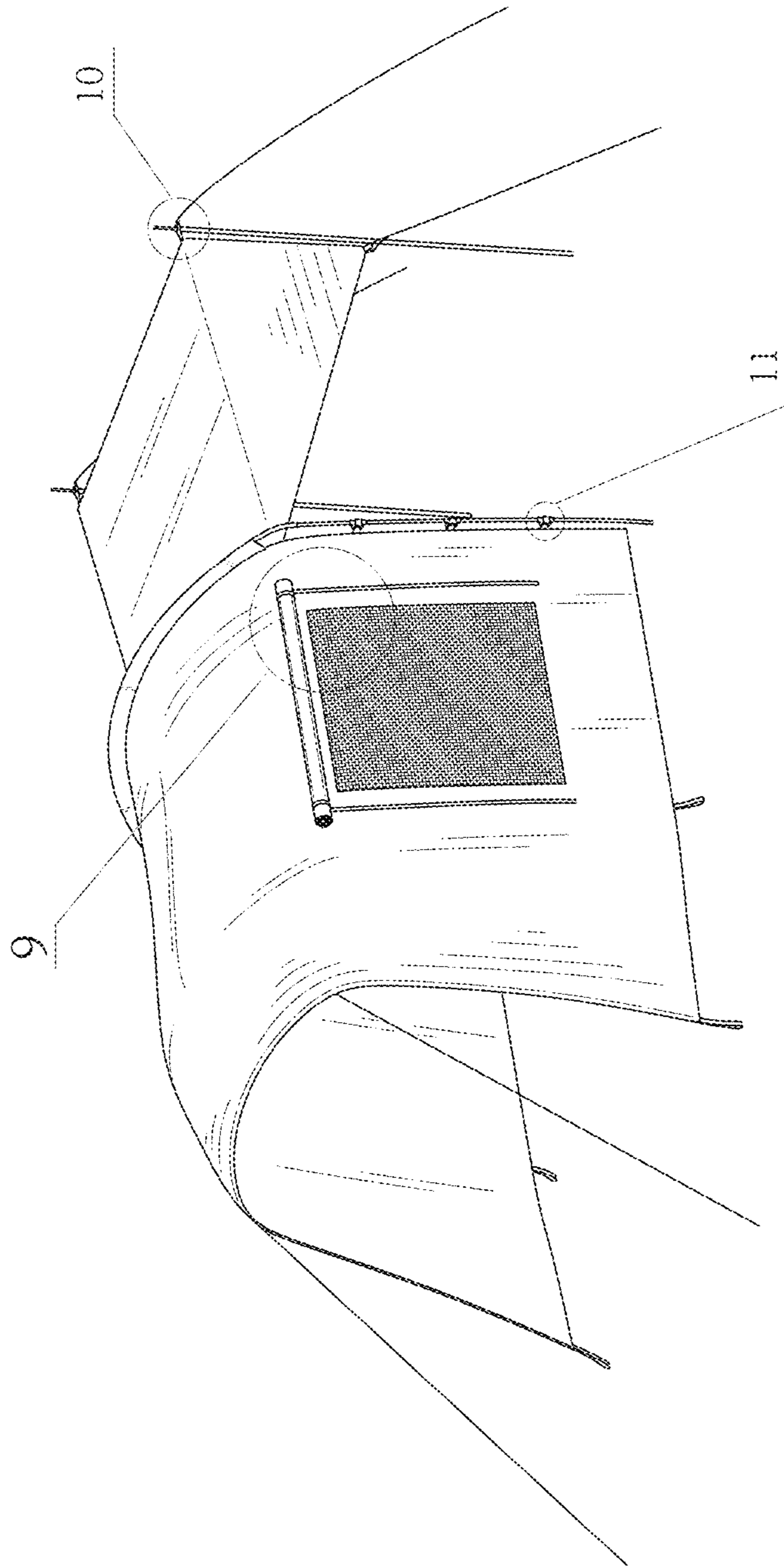


FIG.2

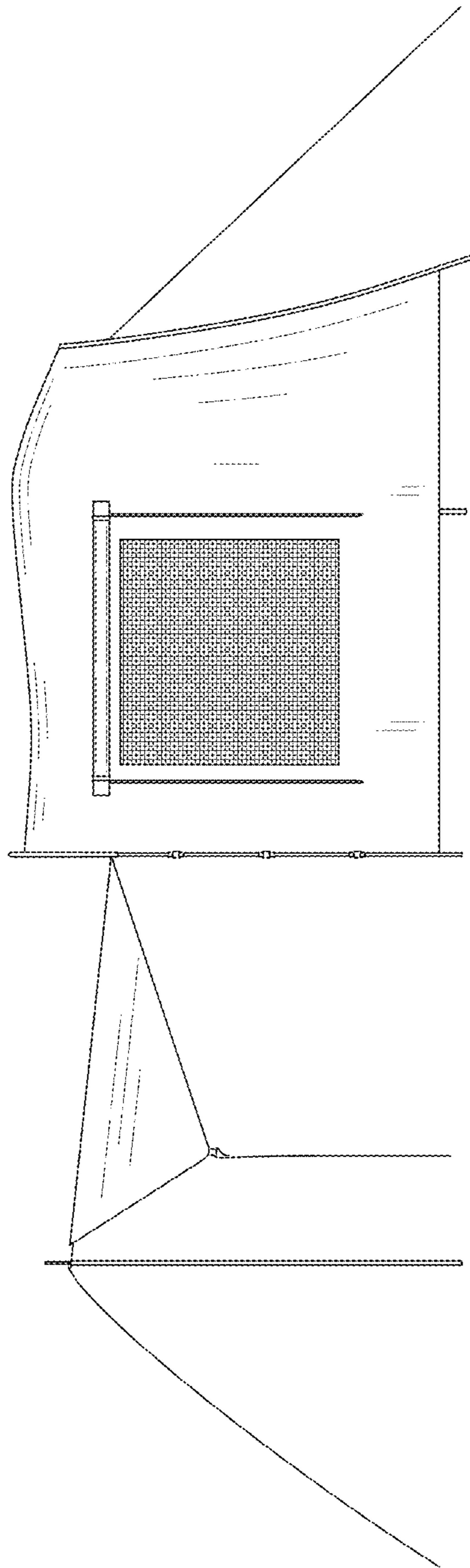


FIG.3

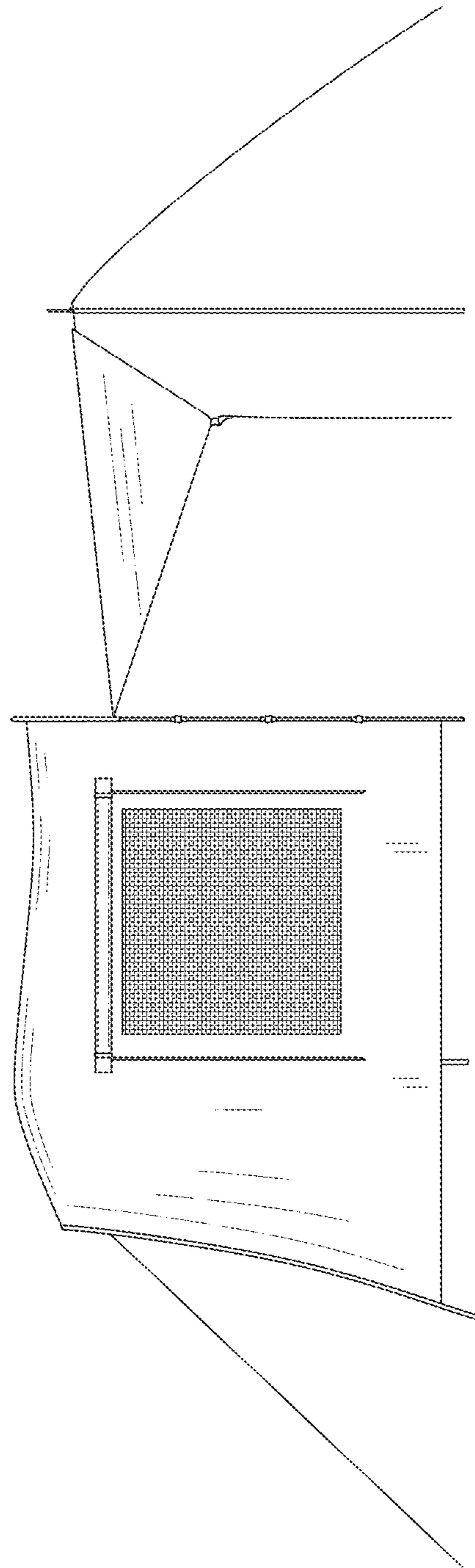


FIG.4

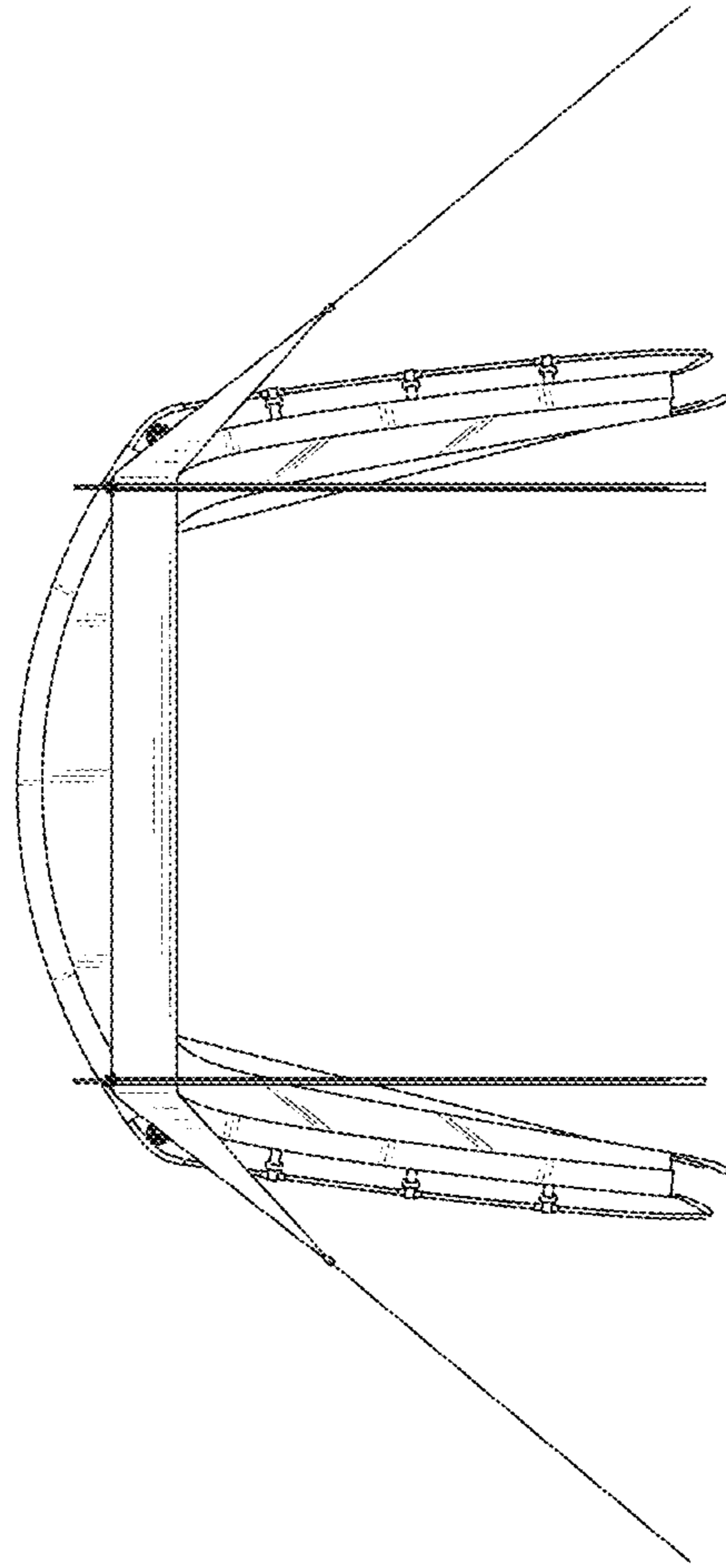


FIG.5

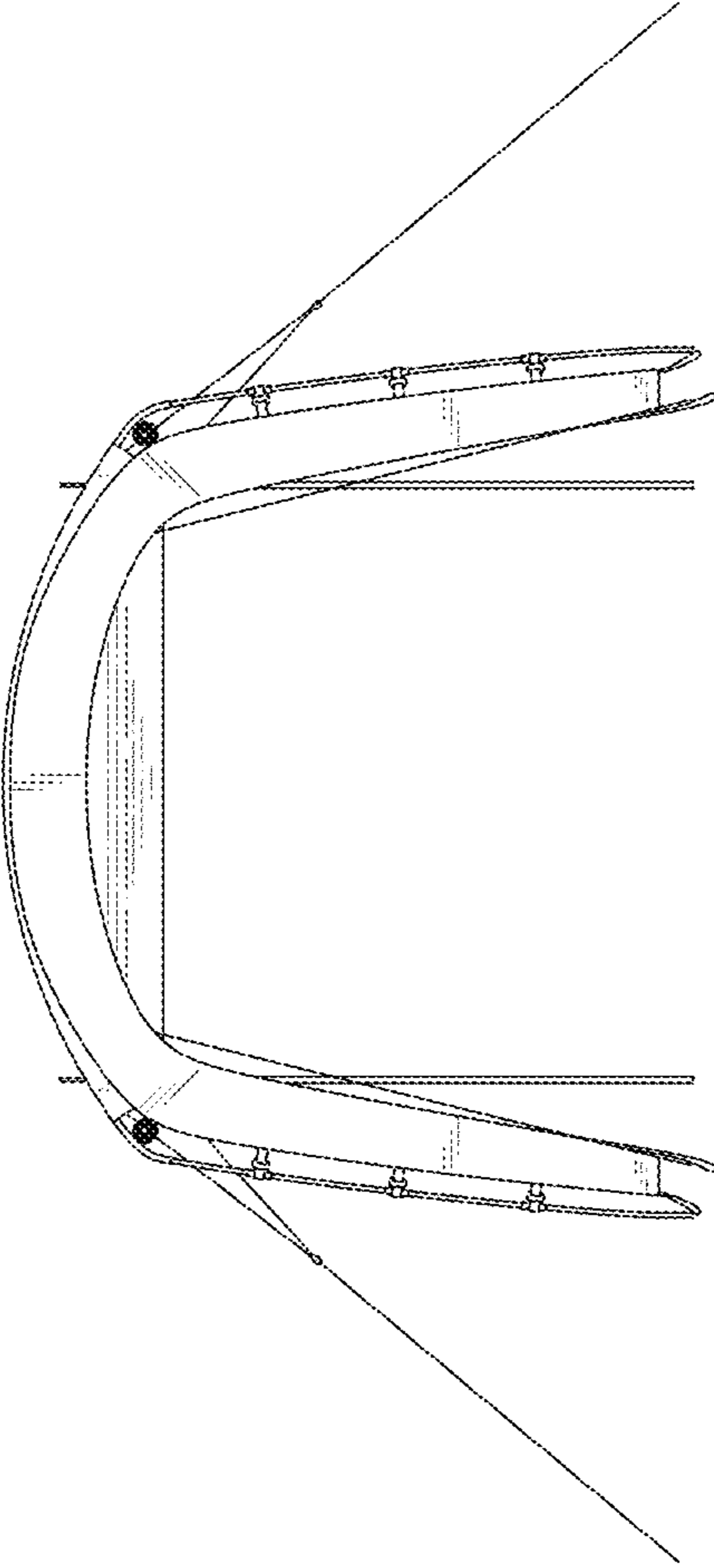


FIG.6

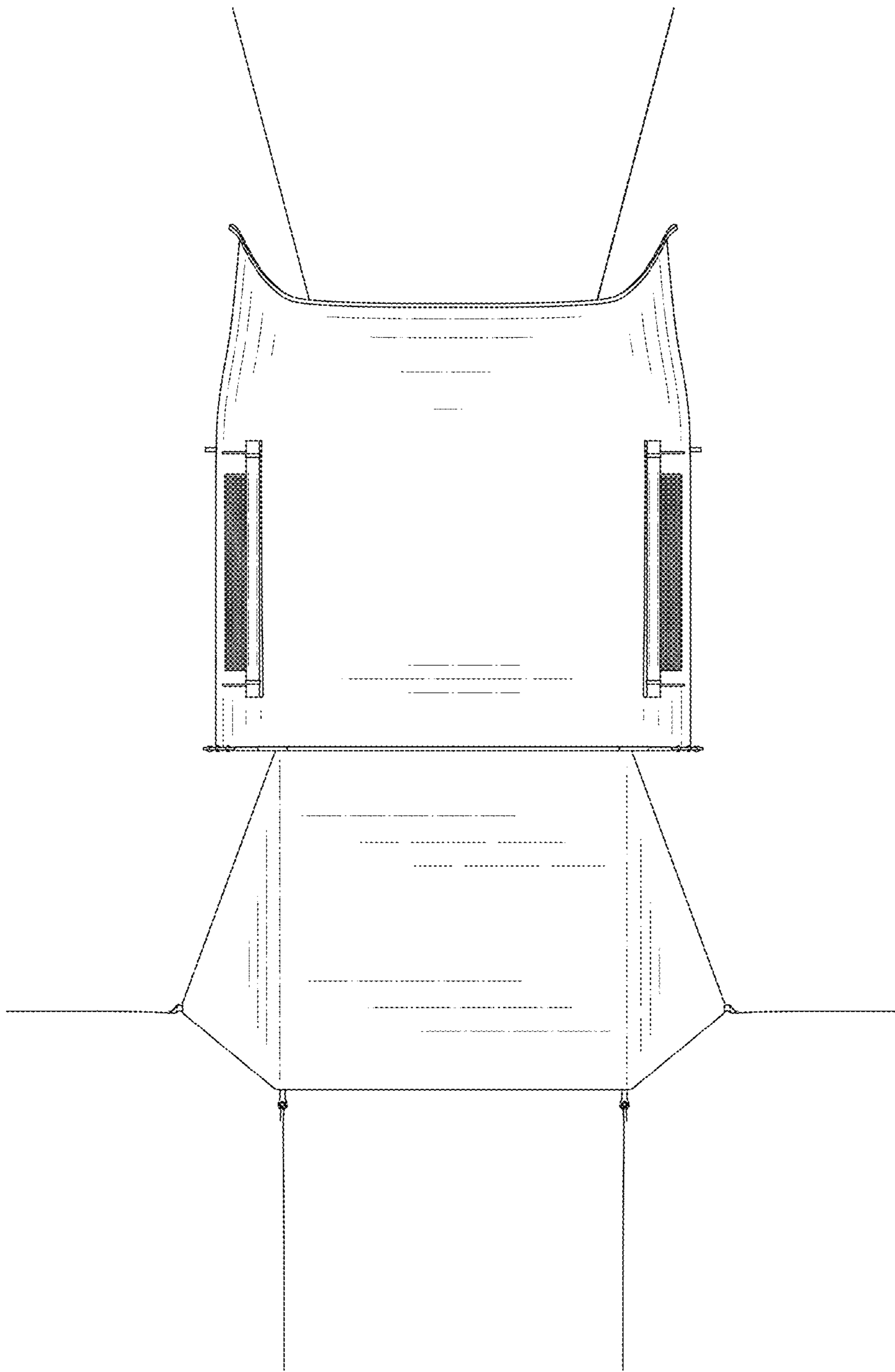


FIG. 7

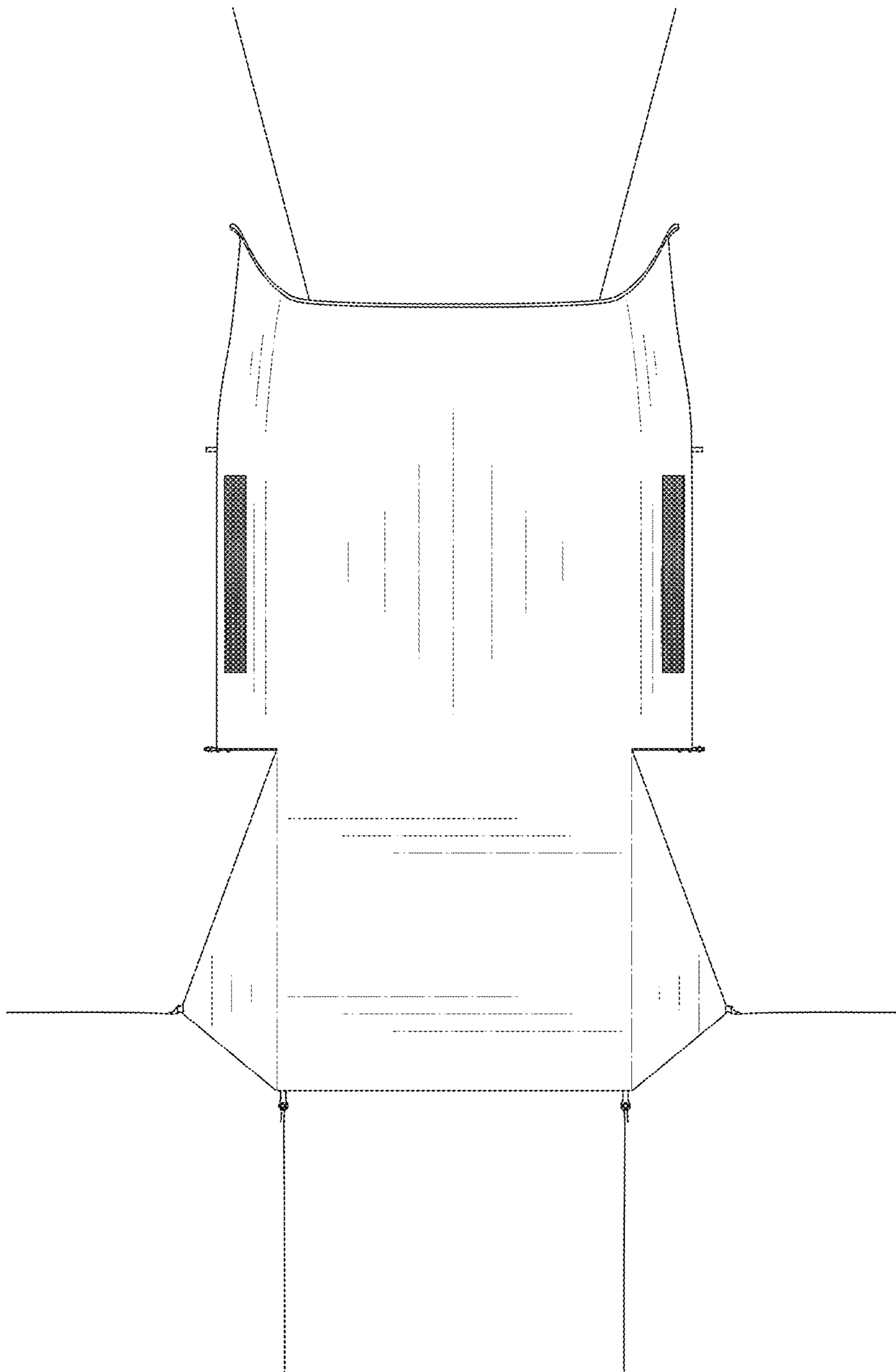


FIG. 8

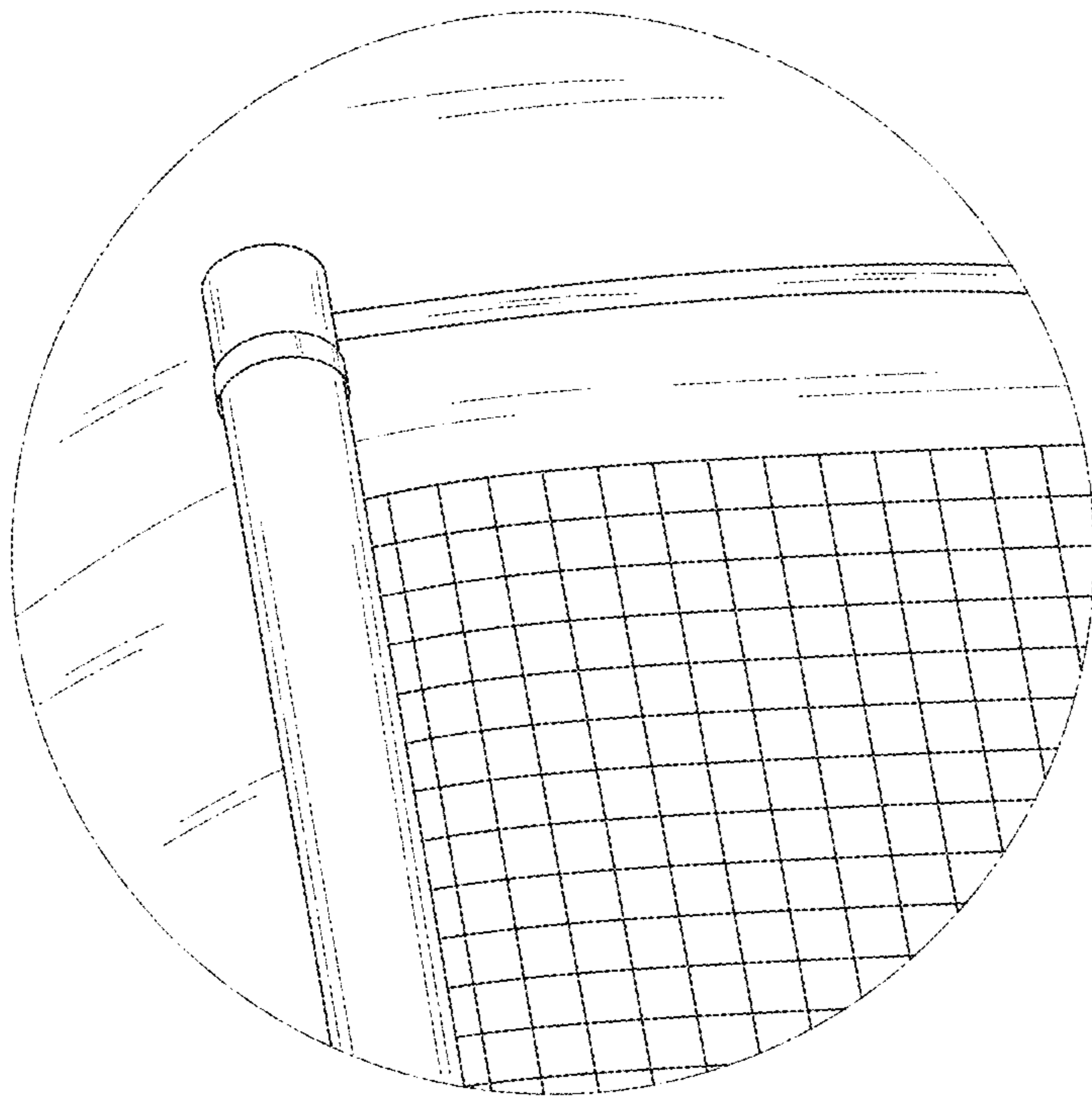


FIG. 9

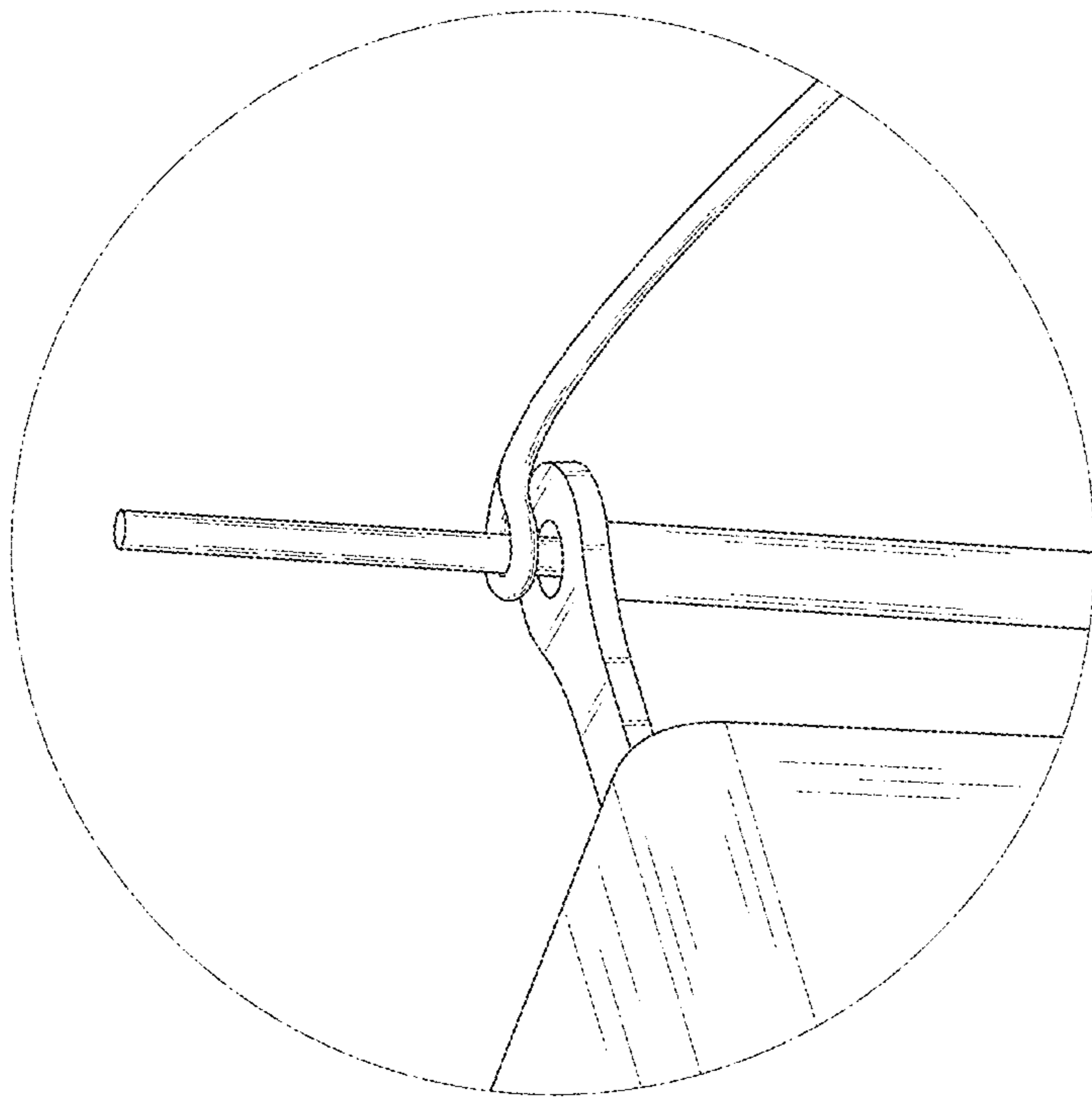


FIG.10

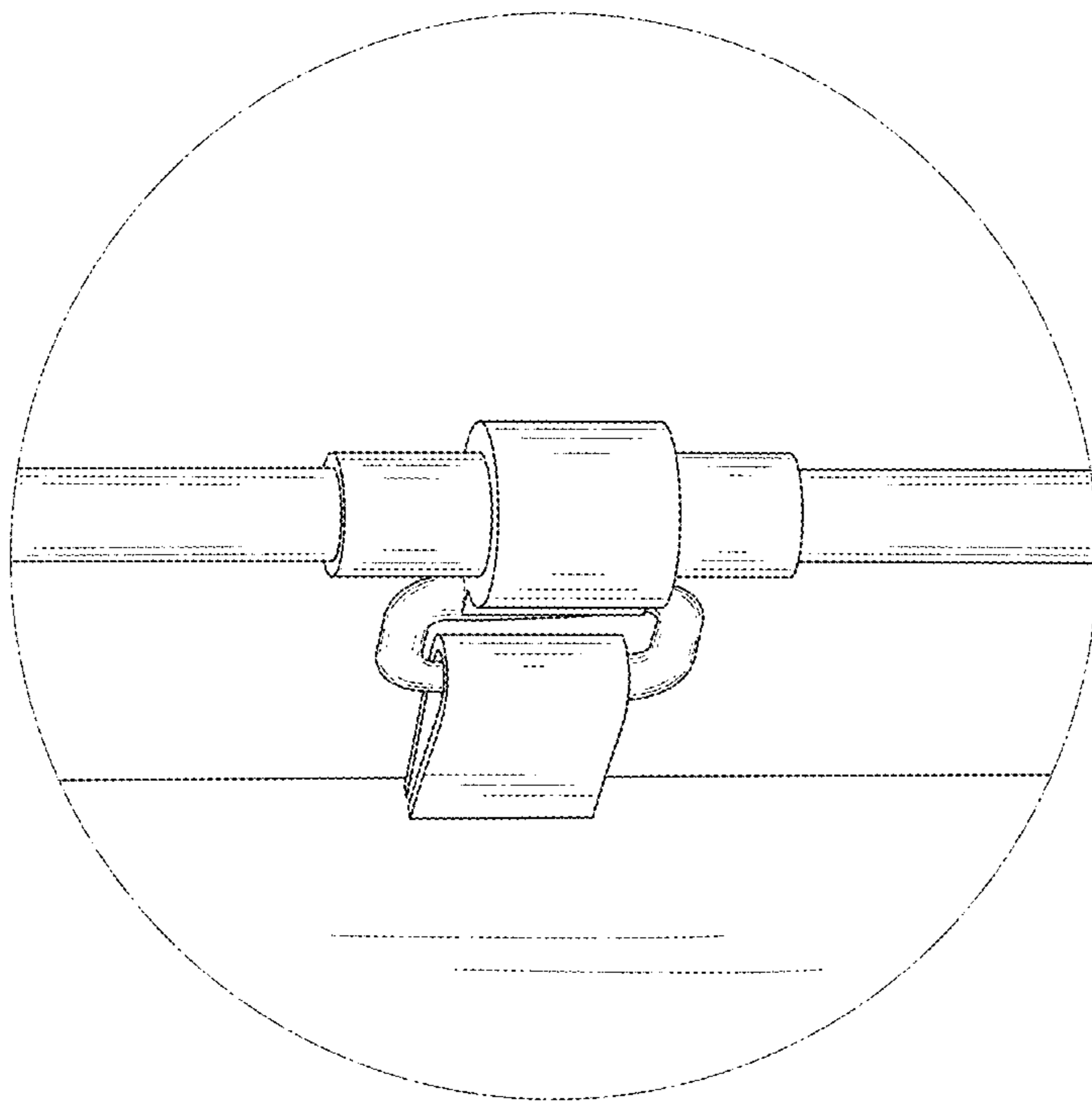


FIG.11