



US00D973570S

(12) **United States Design Patent** (10) **Patent No.:** **US D973,570 S**
Neathery et al. (45) **Date of Patent:** **** Dec. 27, 2022**

(54) **CONTROL LEVER**
(71) Applicant: **Caterpillar Inc.**, Peoria, IL (US)
(72) Inventors: **Brian P. Neathery**, Hockley, TX (US);
Adnan Kadribasic, Gothenburg (SE);
Cameron S. Gandy, Houston, TX
(US); **Karl Johan Emil Rosen**,
Gothenburg (SE)

D782,538 S * 3/2017 Lamparelli D15/4
D834,493 S * 11/2018 Uchiyama D12/317
D888,646 S * 6/2020 Richards D12/317
D890,677 S 7/2020 Steinberg et al.
D890,678 S * 7/2020 Neathery D12/317
D901,593 S * 11/2020 Richards D21/317
D905,613 S * 12/2020 Ohashi D12/317
D928,692 S * 8/2021 Richards D12/317
D938,888 S * 12/2021 Richards D12/317
D951,168 S * 5/2022 Abellera D13/168

(73) Assignee: **Caterpillar Inc.**, Peoria, IL (US)
(**) Term: **15 Years**

OTHER PUBLICATIONS

Caterpillar, catproplusion.com, MFC 800 Remote Control System
(Year: 2014).

(21) Appl. No.: **29/783,537**

* cited by examiner

(22) Filed: **May 13, 2021**

Primary Examiner — Darlington Ly

(51) **LOC (13) Cl.** **12-06**

Assistant Examiner — D. Ryan Tisdale

(52) **U.S. Cl.**
USPC **D12/317**

(74) *Attorney, Agent, or Firm* — Saidman Design Law
Group

(58) **Field of Classification Search**
USPC D12/317-318, 174, 178-180, 300-301,
D12/303-315; D13/162, 168-169;
D10/49

(57) **CLAIM**

The ornamental design for a control lever, as shown and
described.

CPC B63H 11/00; B63H 20/08; B63H 21/21;
B63H 21/213; B63H 2025/026; B63H
21/216; B63H 21/22; B63H 21/24; B63H
21/265; B60W 10/06
See application file for complete search history.

DESCRIPTION

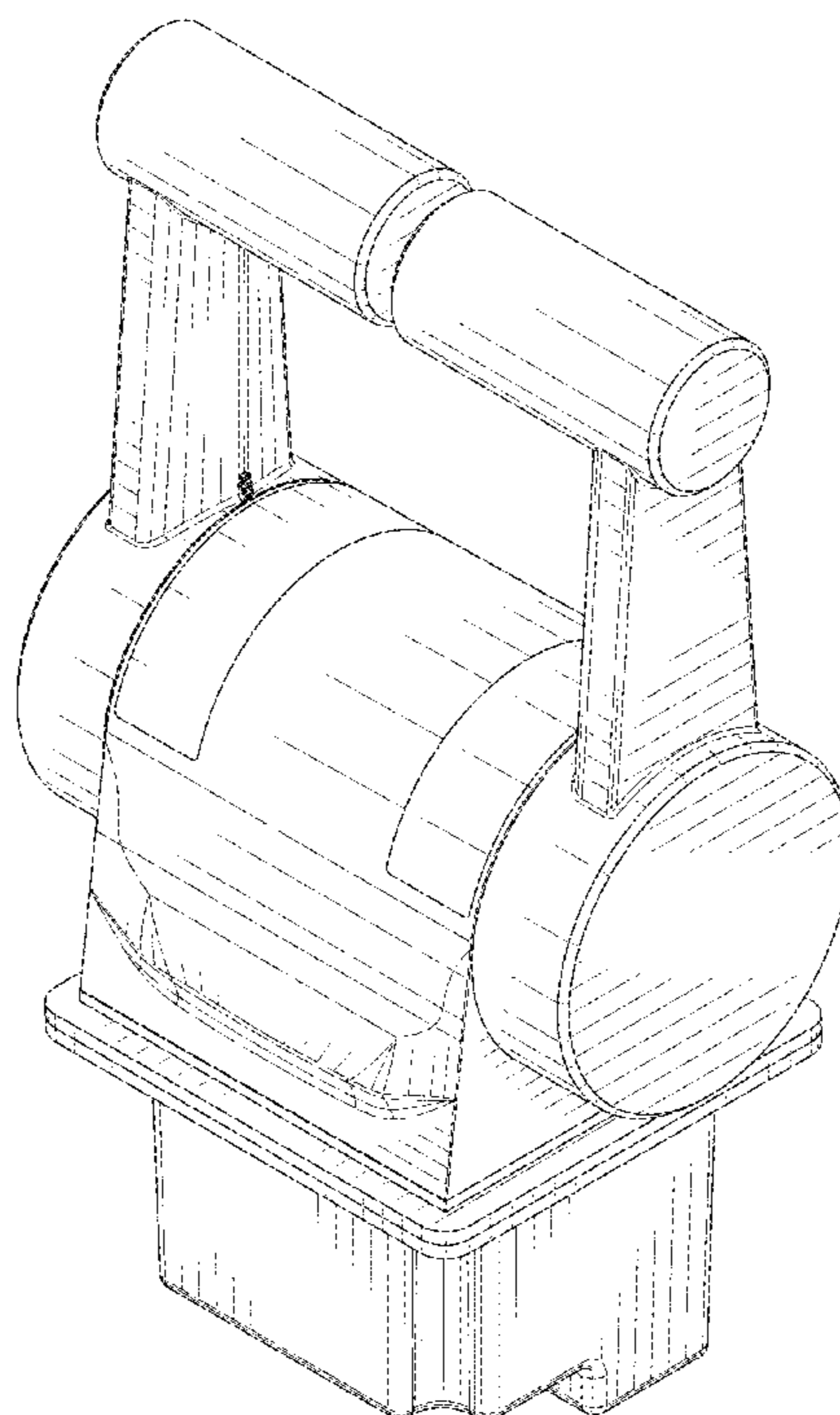
FIG. 1 is a perspective view of a control lever showing our
new design;
FIG. 2 is a front view thereof;
FIG. 3 is a rear view thereof;
FIG. 4 is a left side view thereof;
FIG. 5 is a right side view thereof;
FIG. 6 is a top view thereof; and,
FIG. 7 is a bottom view thereof.

(56) **References Cited**

U.S. PATENT DOCUMENTS

4,097,199 A * 6/1978 Dole F04B 23/023
417/539
D757,117 S * 5/2016 Lamparelli D15/4

1 Claim, 6 Drawing Sheets



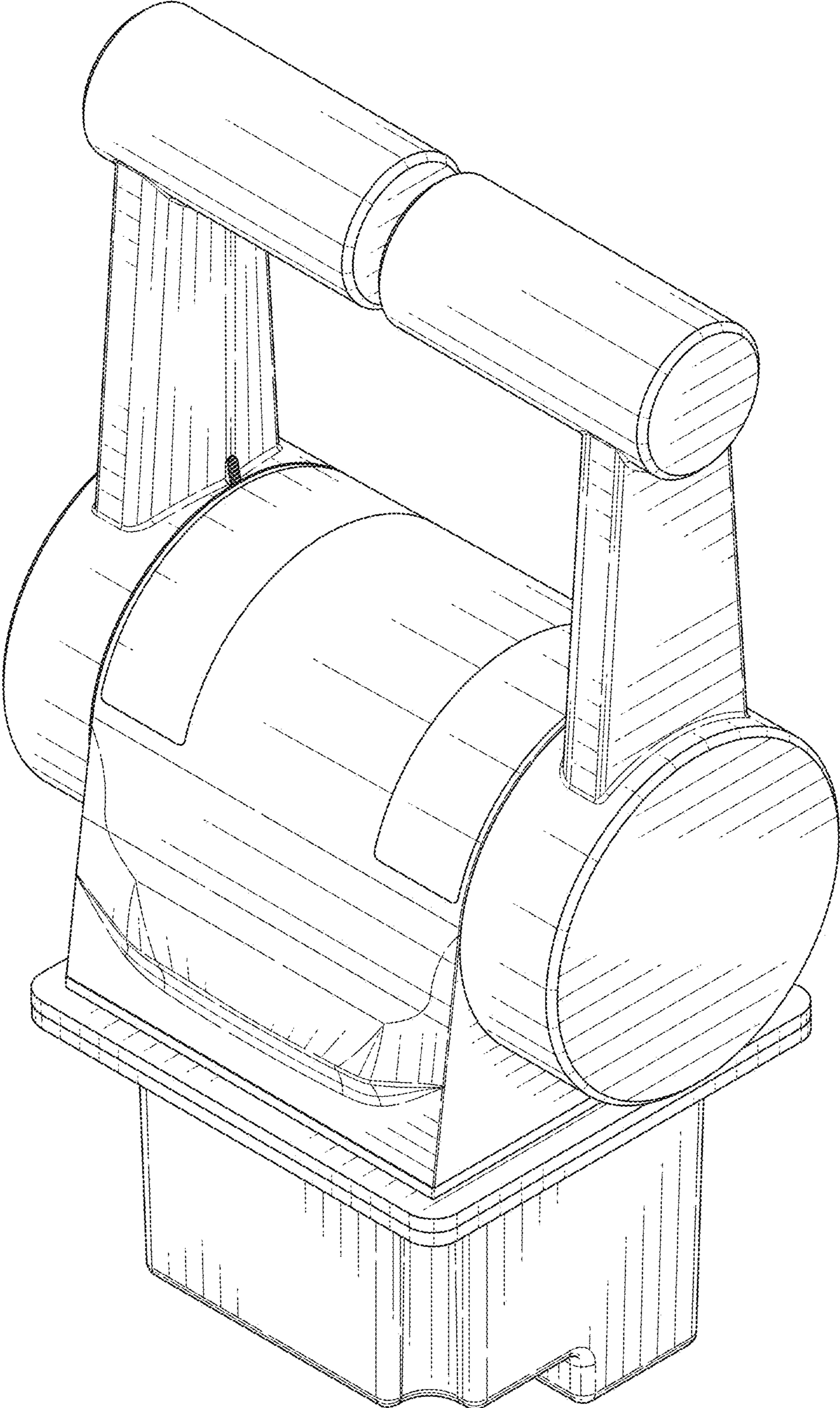


FIG. 1

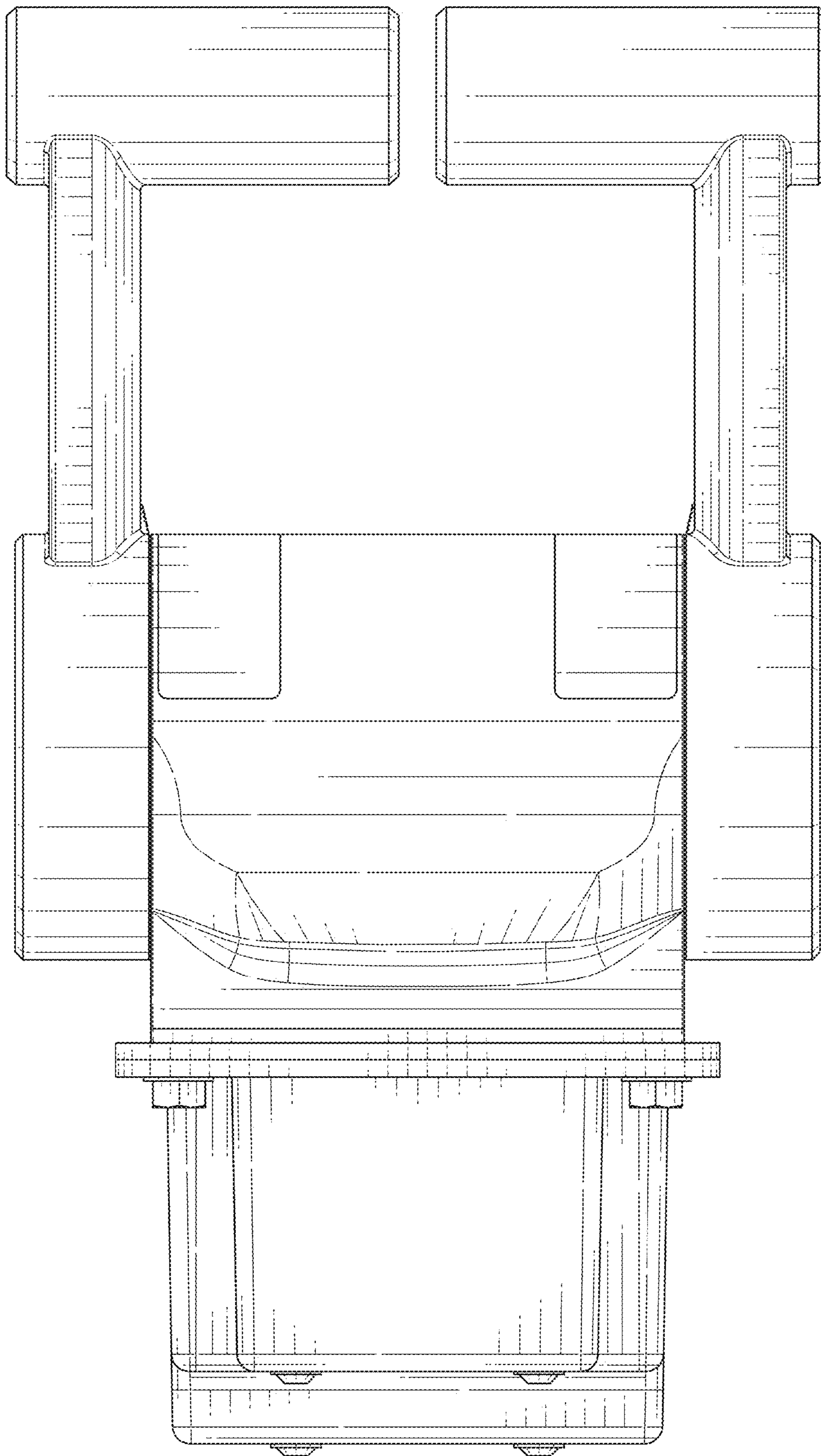


FIG. 2

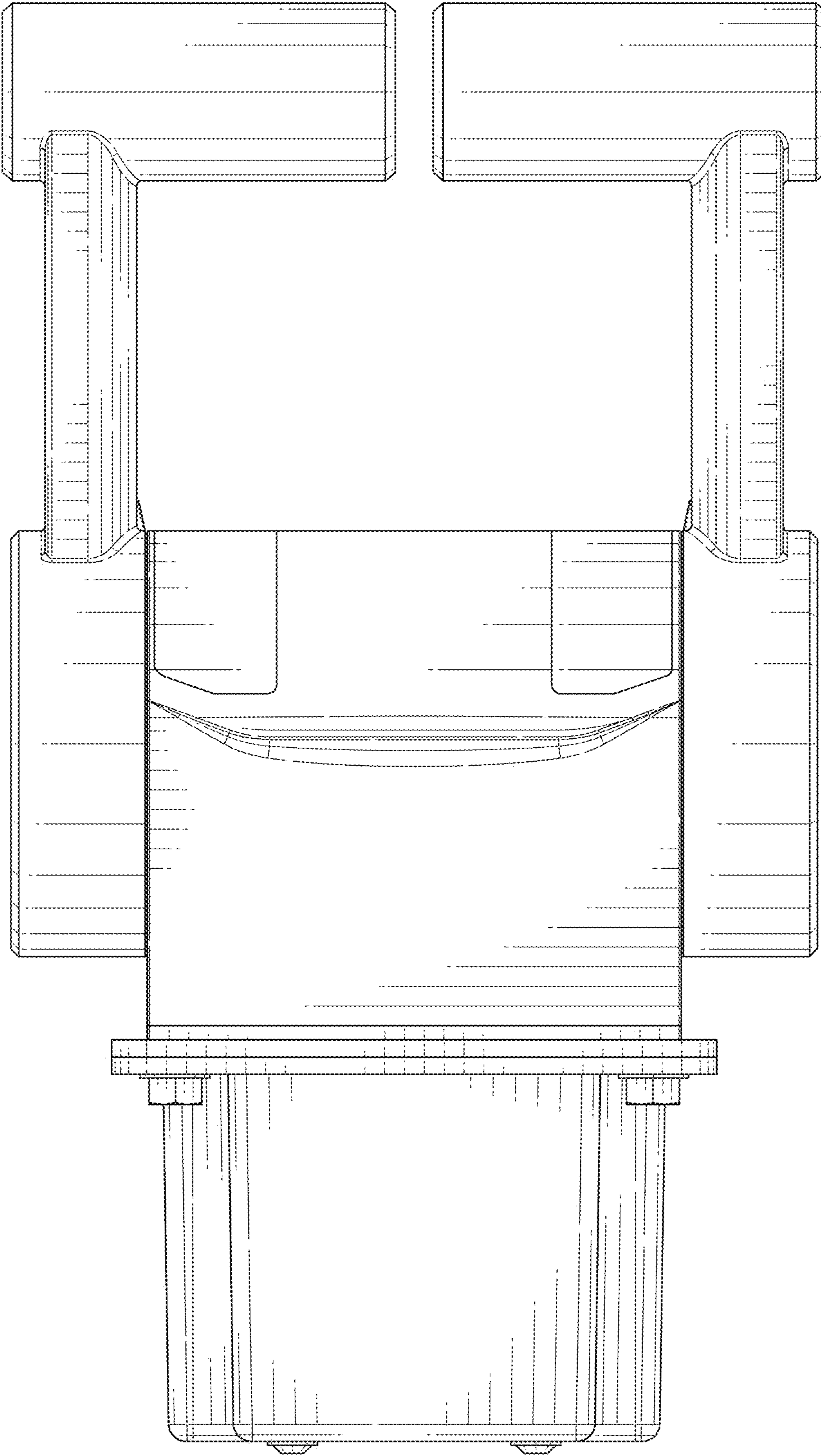


FIG. 3

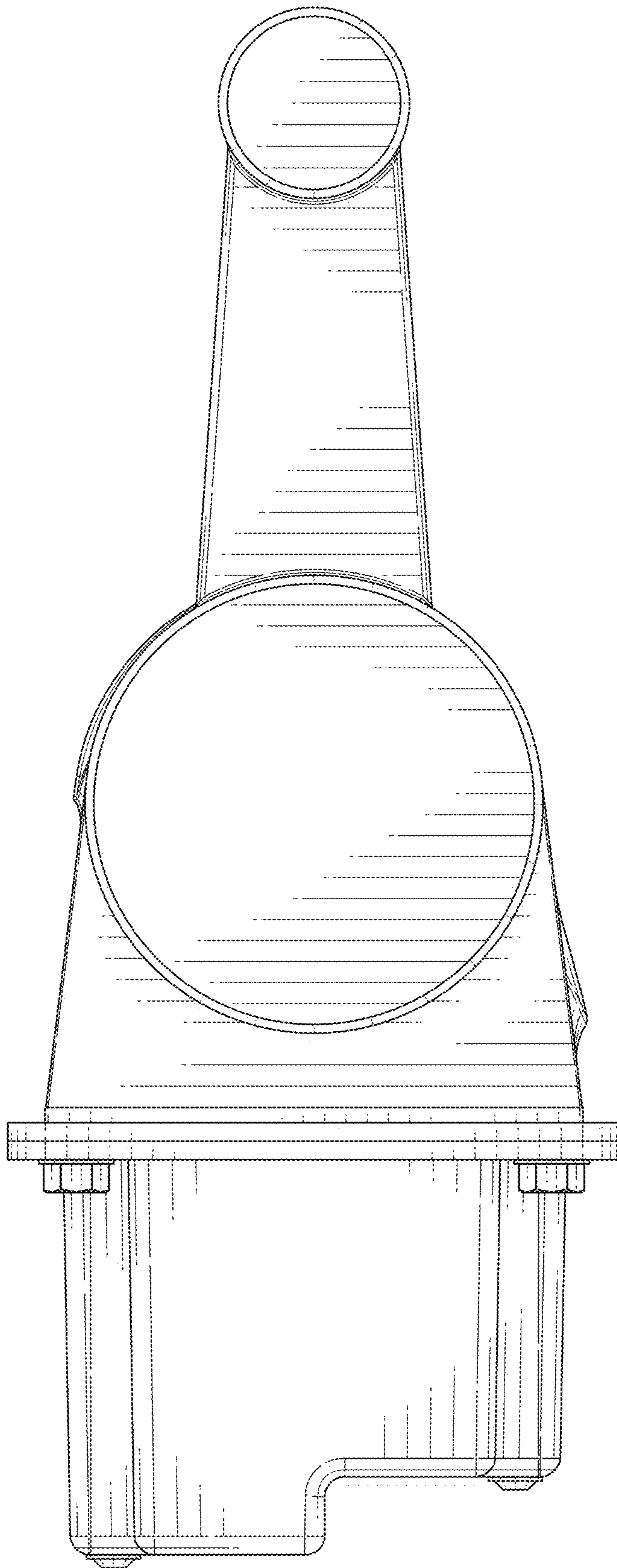


FIG. 4

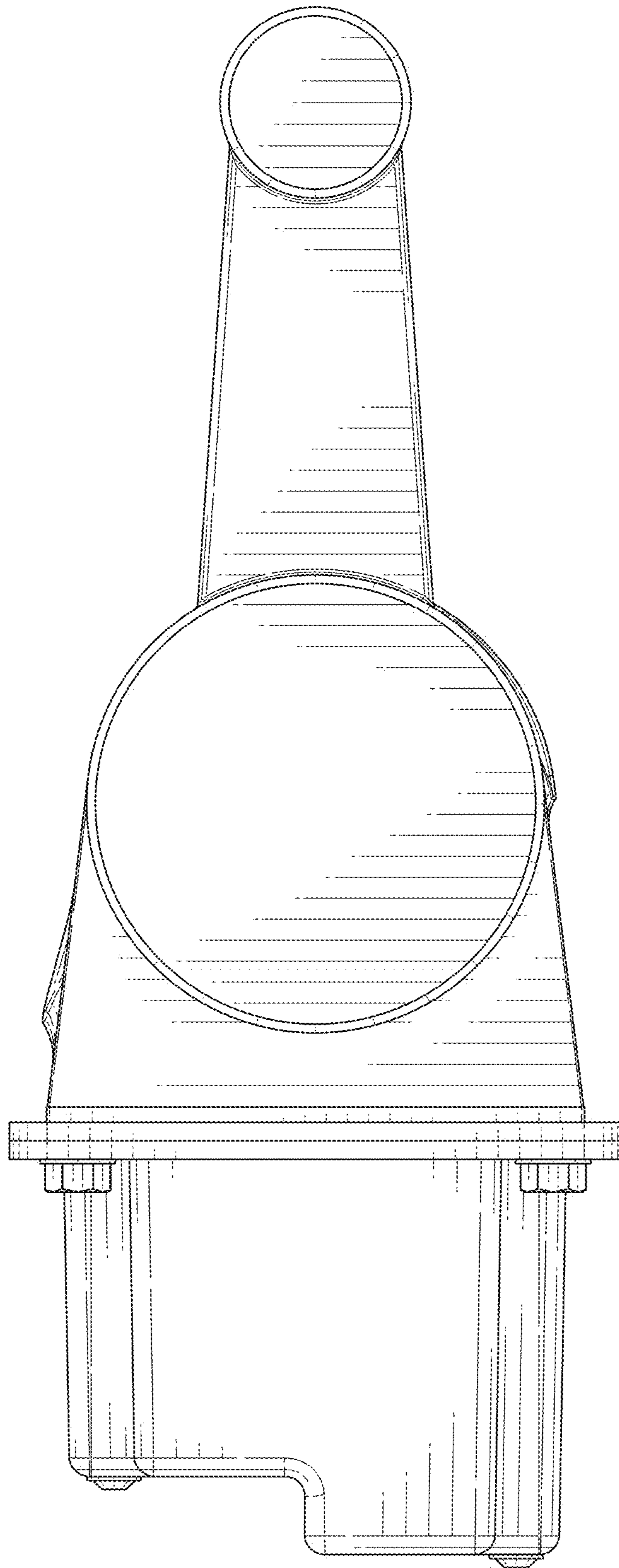


FIG. 5

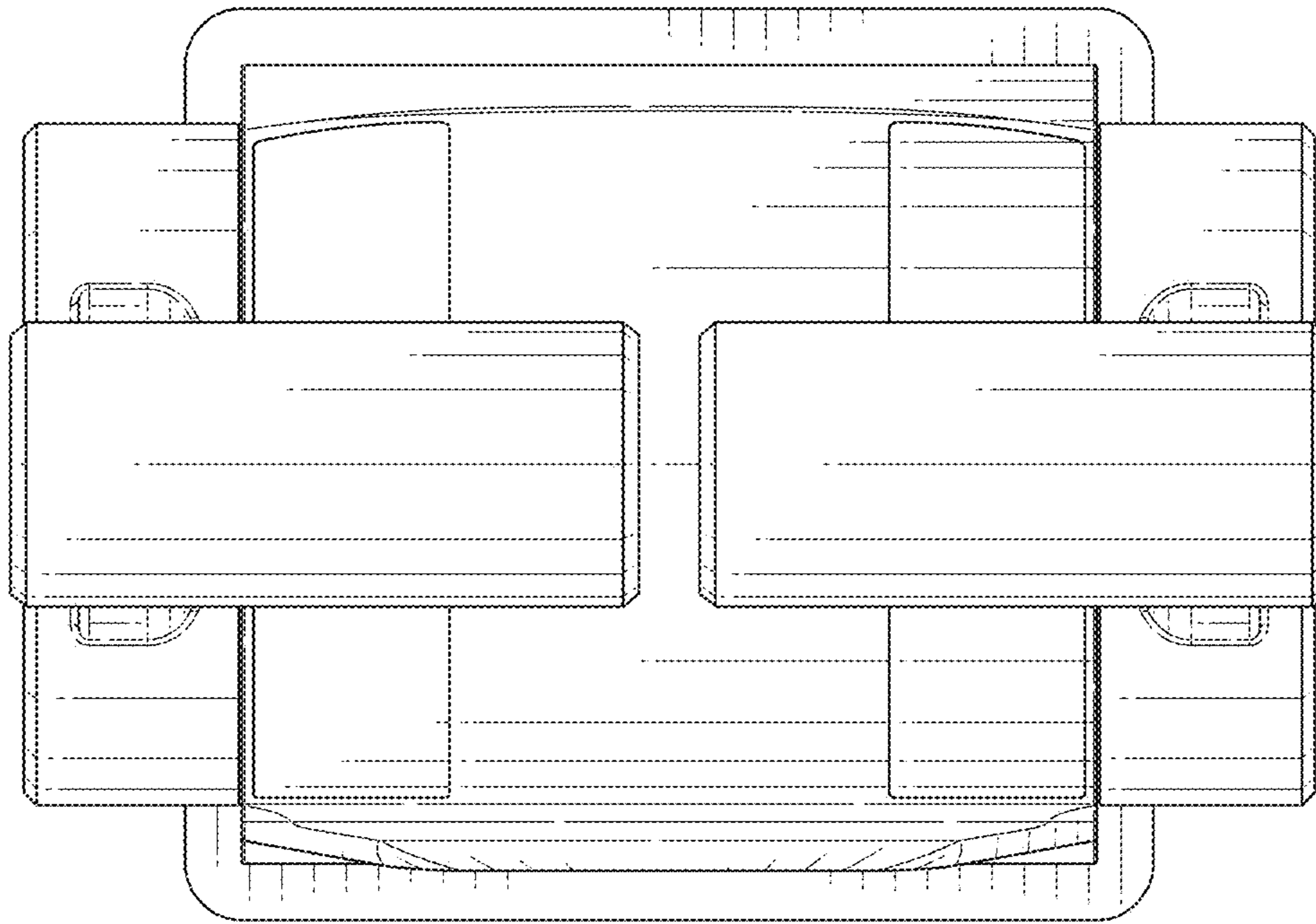


FIG. 6

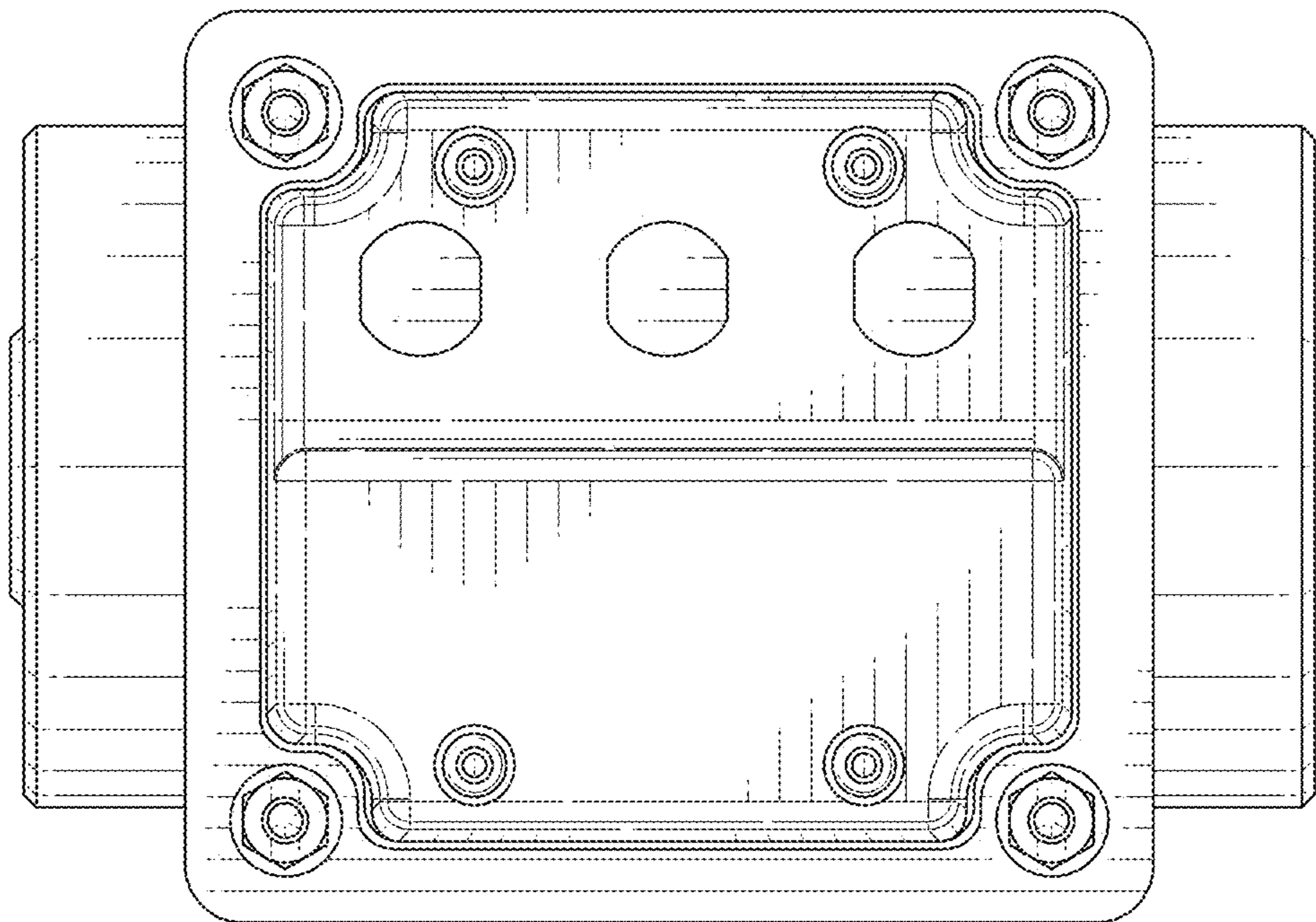


FIG. 7