



US00D973568S

(12) **United States Design Patent** (10) **Patent No.:** **US D973,568 S**  
**Lim et al.** (45) **Date of Patent:** **\*\* Dec. 27, 2022**

(54) **FRONT DOOR PANEL FOR AUTOMOBILE**

- (71) Applicants: **Hyundai Motor Company**, Seoul (KR); **Kia Corporation**, Seoul (KR)
- (72) Inventors: **Ho Lim**, Gyeonggi-do (KR); **Sung Gi Lee**, Irvine, CA (US)
- (73) Assignees: **Hyundai Motor Company**, Seoul (KR); **Kia Corporation**, Seoul (KR)
- (\*\*) Term: **15 Years**
- (21) Appl. No.: **29/779,445**
- (22) Filed: **Apr. 19, 2021**
- (51) **LOC (13) Cl.** ..... **12-16**
- (52) **U.S. Cl.**  
USPC ..... **D12/196**
- (58) **Field of Classification Search**  
USPC ..... D12/90, 91, 92, 184, 196  
CPC ..... B62D 24/00; B62D 24/02; B62D 25/02;  
B62D 25/08; B62D 25/18; B62D 35/00;  
B60J 5/04; B60R 19/02; B60R 19/04  
See application file for complete search history.

(56) **References Cited**

**U.S. PATENT DOCUMENTS**

D892,695 S *	8/2020	Oh	.....	D12/196
D915,972 S *	4/2021	Kim	.....	D12/196
D915,973 S *	4/2021	Kim	.....	D12/196
D930,542 S *	9/2021	Kim	.....	D12/196
D930,543 S *	9/2021	Kim	.....	D12/196
D930,544 S *	9/2021	Lee	.....	D12/196
D930,545 S *	9/2021	Lee	.....	D12/196
D940,622 S *	1/2022	Kim	.....	B60J 5/00
				D12/196
D945,339 S *	3/2022	Lim	.....	D12/196
D945,340 S *	3/2022	Lim	.....	D12/196
D945,941 S *	3/2022	Kim	.....	D12/196
D951,164 S *	5/2022	Oh	.....	B62D 25/02
				D12/196
D951,839 S *	5/2022	Cho	.....	B62D 25/02
				D12/196

**OTHER PUBLICATIONS**

Vehicle Doors. (Design—©Questel) orbit.com. [Online PDF compilation of references] 50 pgs. Print Dates Range Aug. 28, 2020-Jun. 13, 2019 [Retrieved Aug. 27, 2020].\*

2020 Hyundai Elantra. 2020. IIHS. <https://www.iihs.org/ratings/vehicle/hyundai/elantra-4-door-sedan/2020>.\*

2021 Hyundai Sonata Hybrid. 2021. Group 1 Automotive. [https://www.group1auto.com/carresearch/VehicleQuickQuoteForm/year\\_2021/make\\_Hyundai/model\\_Sonata%20Hybrid/trim\\_Limited/id\\_47141/confid\\_group1auto-responsive/section\\_Options/](https://www.group1auto.com/carresearch/VehicleQuickQuoteForm/year_2021/make_Hyundai/model_Sonata%20Hybrid/trim_Limited/id_47141/confid_group1auto-responsive/section_Options/).\*

2017 Hyundai Sonata Hybrid. 2017. izmo stock. <https://archive.izmostock.com/image/I0000neO4uFSfuik>.\*

\* cited by examiner

*Primary Examiner* — George D. Kirschbaum  
*Assistant Examiner* — Suzanne E Tisdell  
 (74) *Attorney, Agent, or Firm* — Fox Rothschild LLP

(57) **CLAIM**

The ornamental design for a front door panel for automobile, as shown and described.

**DESCRIPTION**

FIG. 1 is a perspective view of a front door panel for automobile according to the present invention.

FIG. 2 is a front view of the front door panel for automobile of FIG. 1.

FIG. 3 is a rear view of the front door panel for automobile of FIG. 1.

FIG. 4 is a left side view of the front door panel for automobile of FIG. 1.

FIG. 5 is a right side view of the front door panel for automobile of FIG. 1.

FIG. 6 is a top view of the front door panel for automobile of FIG. 1; and,

FIG. 7 is a bottom view of the front door panel for automobile of FIG. 1.

**1 Claim, 7 Drawing Sheets**

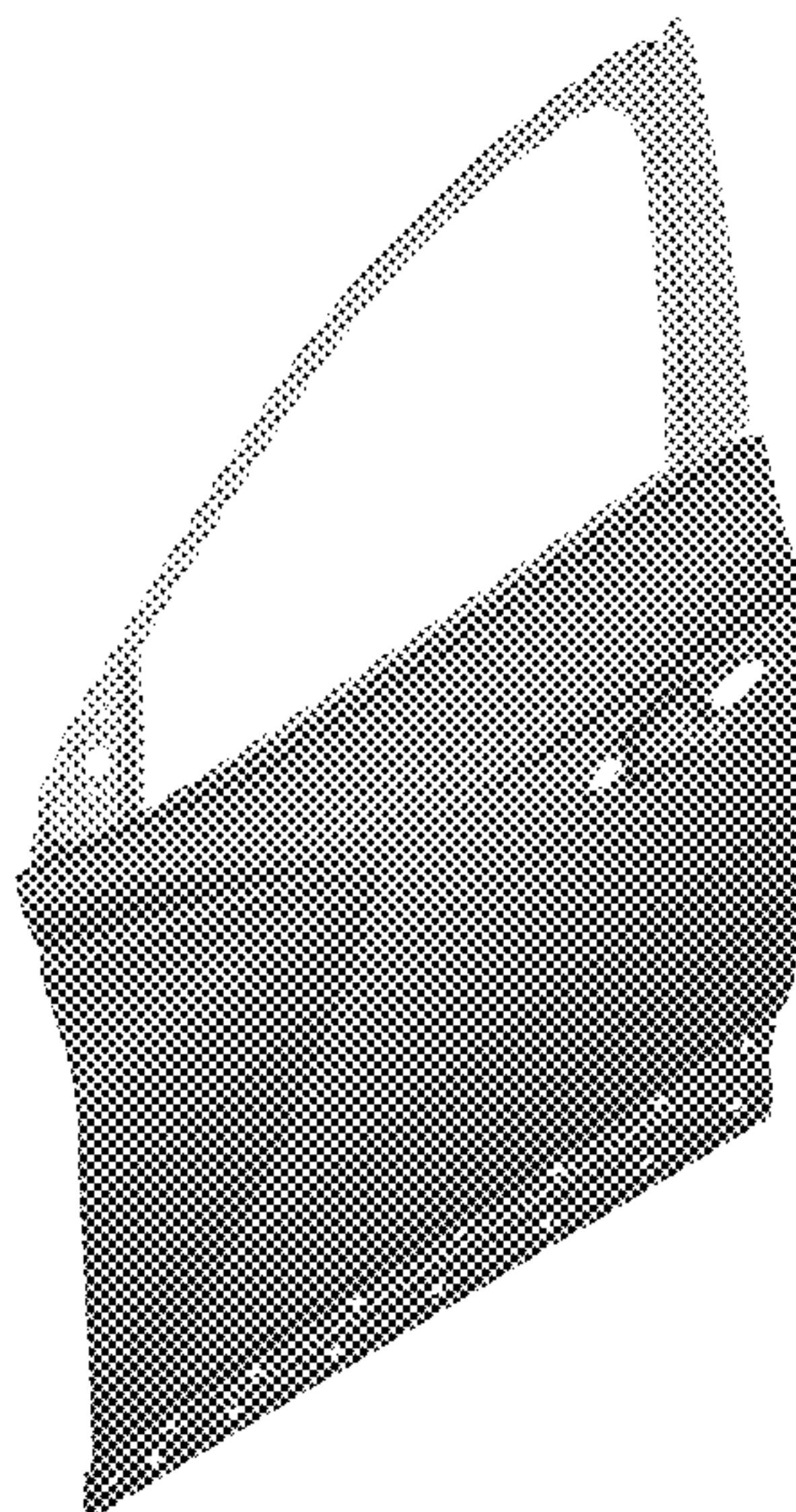


FIG. 1

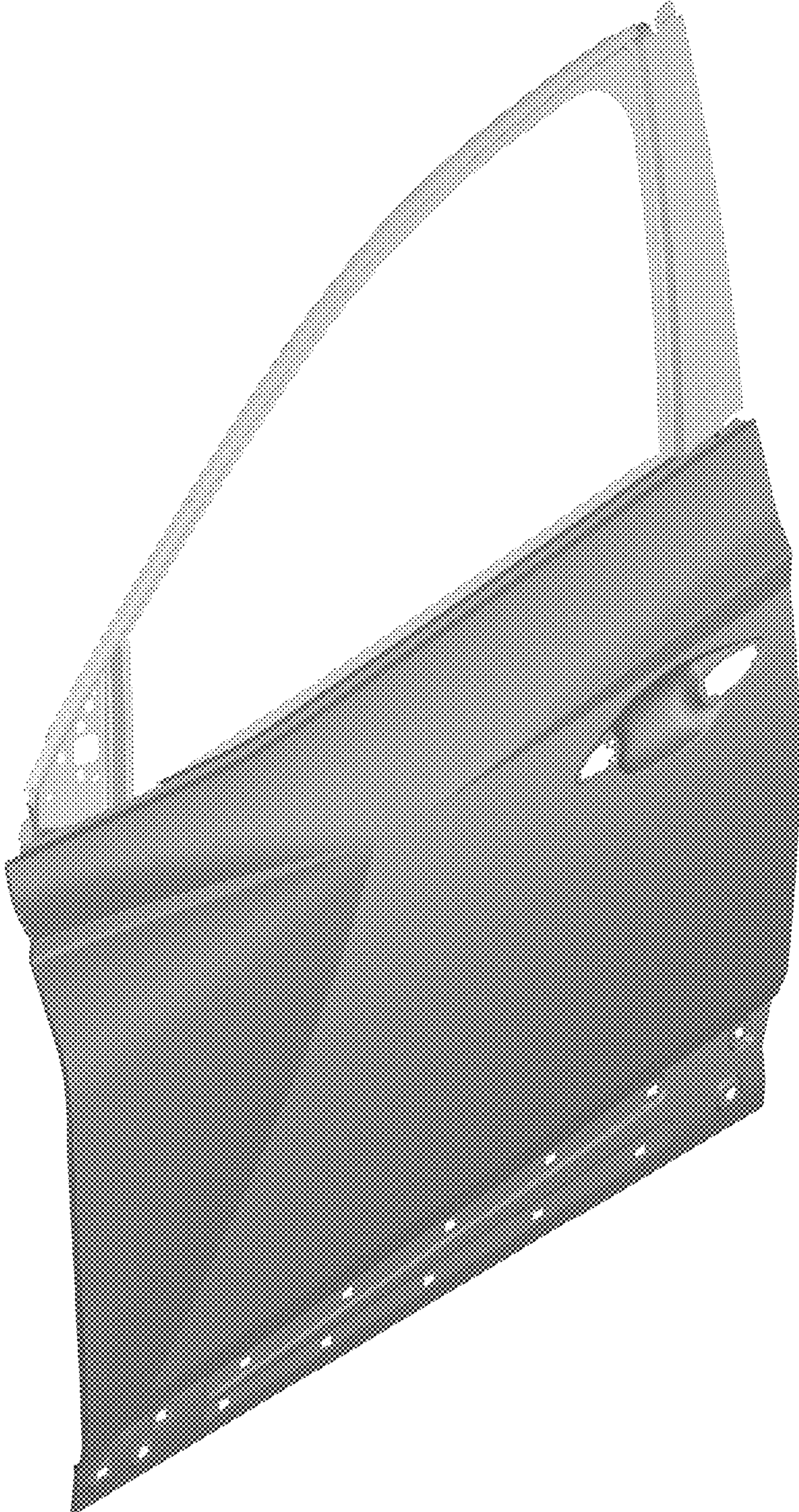




FIG. 2

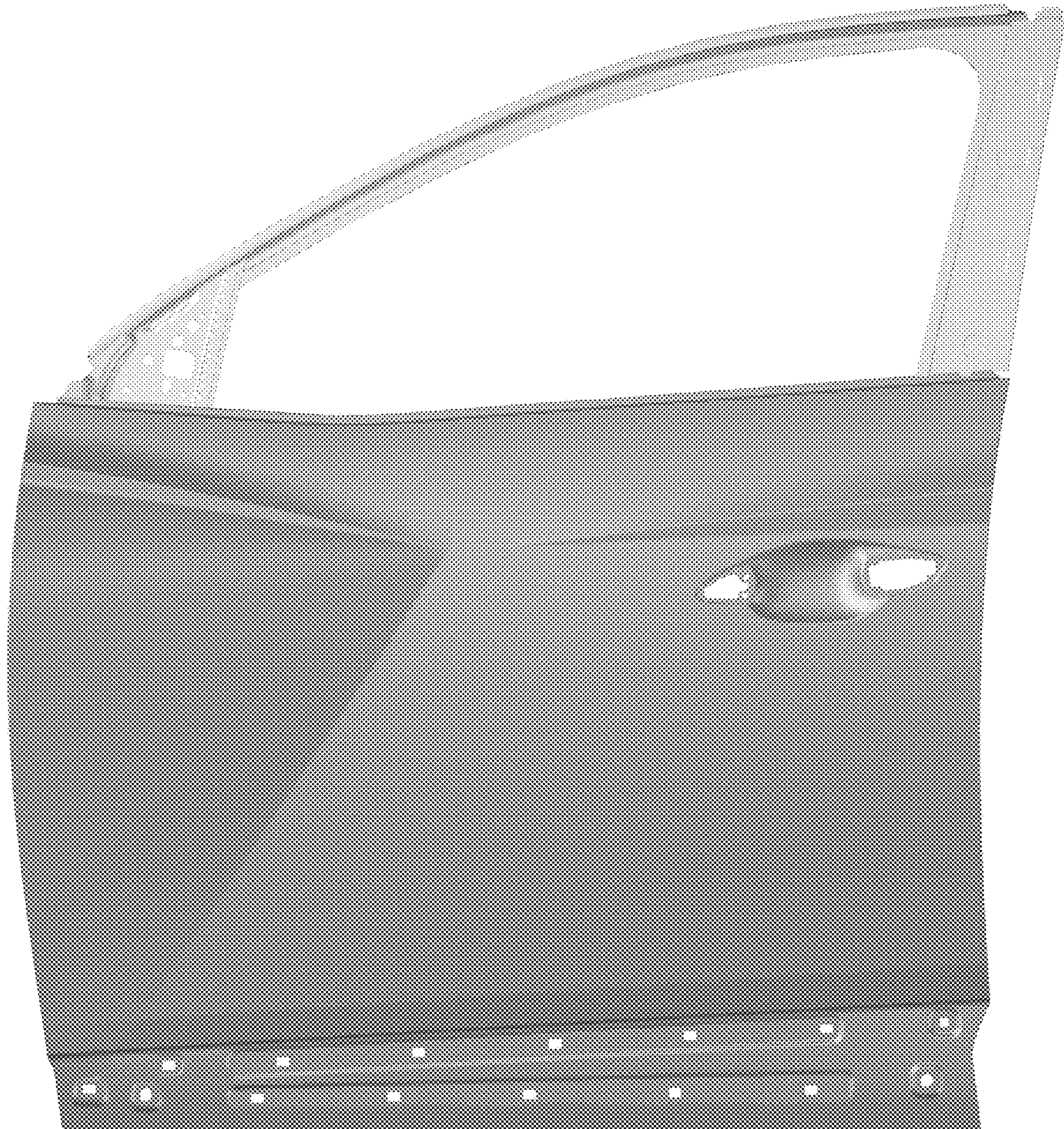
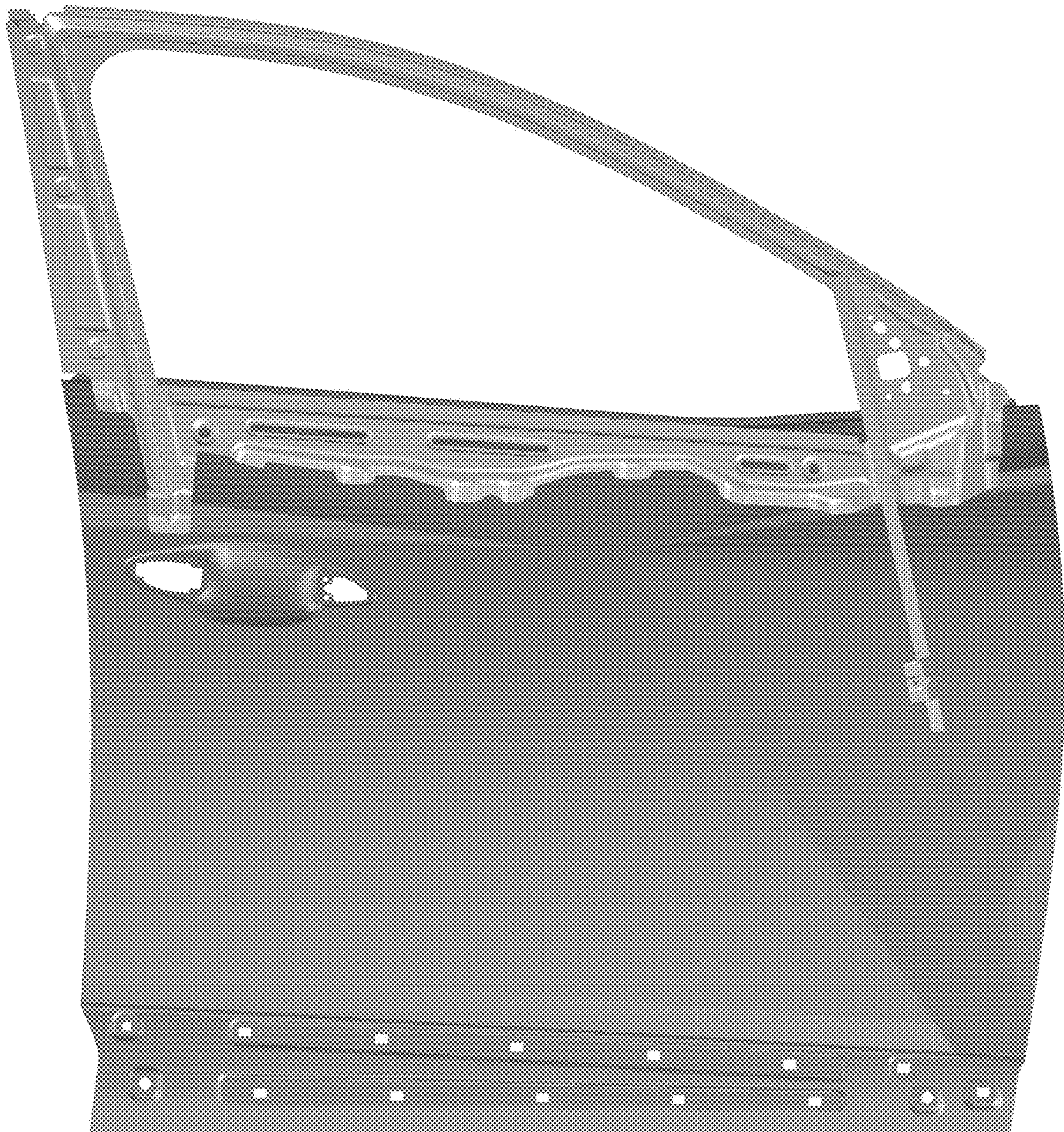
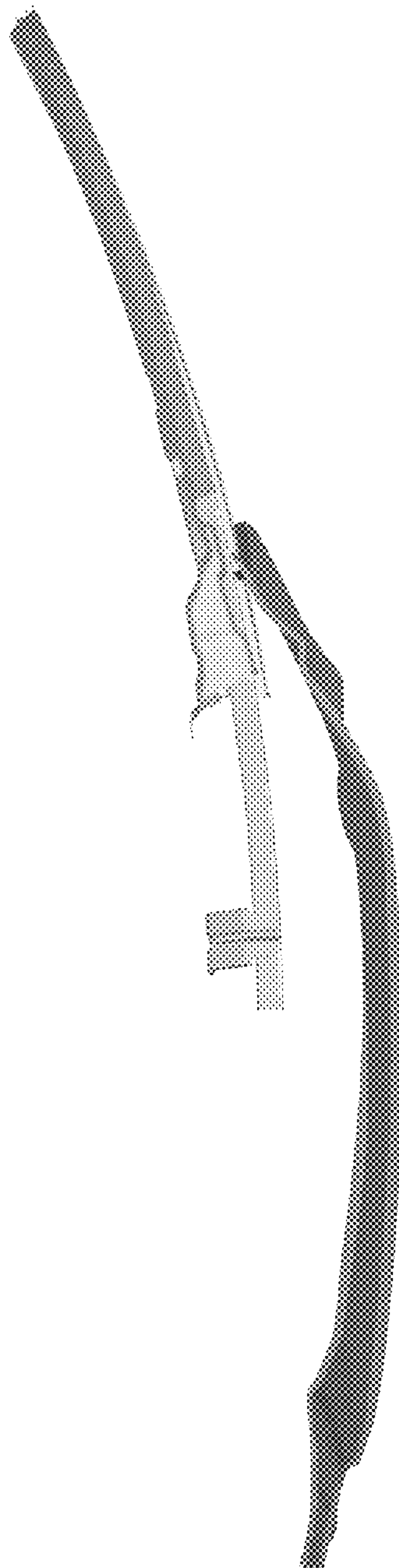




FIG. 3

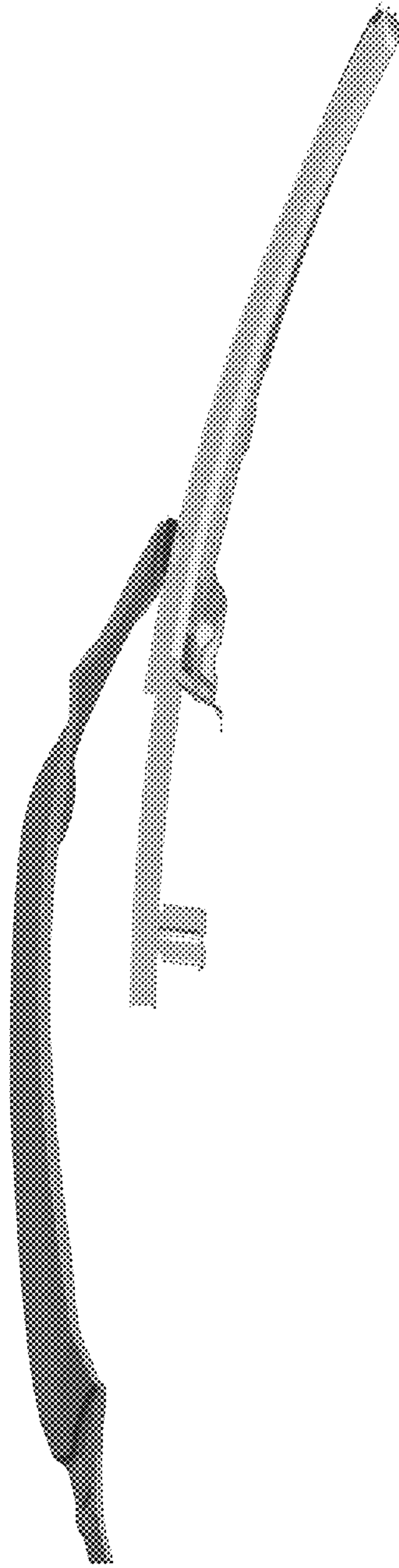


**FIG. 4**

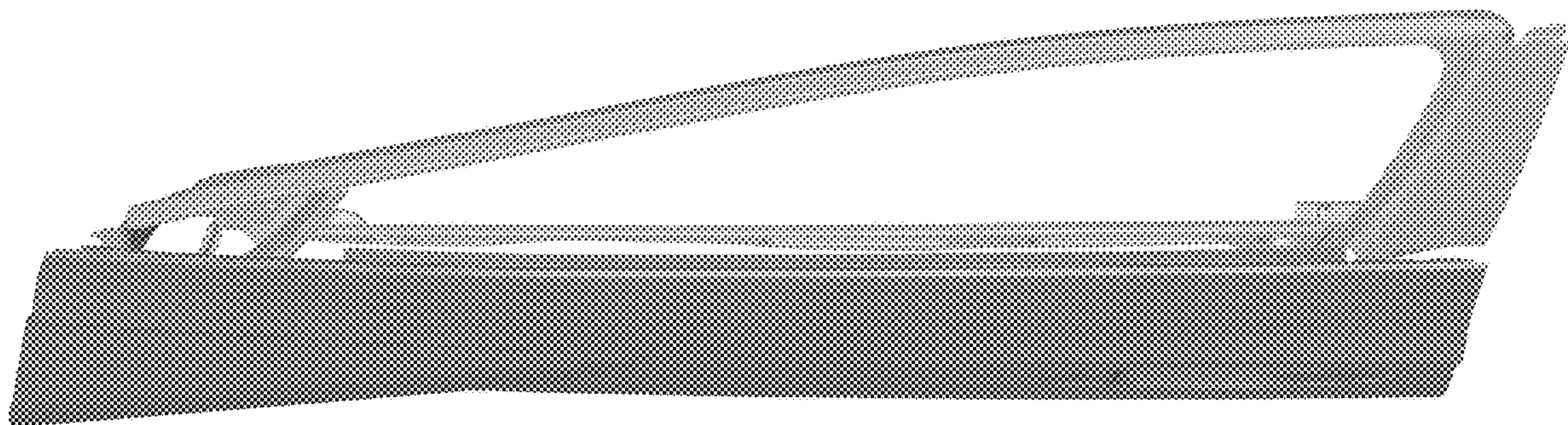




**FIG. 5**



**FIG. 6**



**FIG. 7**

