



US00D973565S

(12) **United States Design Patent**  
**Pan**

(10) **Patent No.:** **US D973,565 S**

(45) **Date of Patent:** **\*\* Dec. 27, 2022**

(54) **FENDER**

(71) Applicant: **Fangqi Pan**, Zhangzhou (CN)

(72) Inventor: **Fangqi Pan**, Zhangzhou (CN)

(\*\*) Term: **15 Years**

(21) Appl. No.: **29/837,691**

(22) Filed: **May 7, 2022**

(51) **LOC (13) Cl.** ..... **12-16**

(52) **U.S. Cl.**  
USPC ..... **D12/185**

(58) **Field of Classification Search**  
USPC ..... D12/163, 164, 167, 169, 181, 184, 185,  
D12/190, 192, 196, 223, 400; D21/561  
CPC ..... B62D 25/02; B62D 25/04; B62D 25/16;  
B62D 25/18; B62D 25/161; B62D  
25/163; B62D 25/165; B62D 25/166;  
B62D 25/168; B62D 25/182; B62D  
25/184; B62D 25/186; B62D 25/188;  
B60R 13/04; B60R 13/0861; B60R 19/00  
See application file for complete search history.

(56) **References Cited**

U.S. PATENT DOCUMENTS

D205,133 S \* 6/1966 Podall ..... D12/185  
3,953,053 A \* 4/1976 Arenhold ..... B62D 25/18  
280/851  
D241,827 S \* 10/1976 Podall ..... D12/185

D267,865 S \* 2/1983 Gross ..... D12/185  
D281,774 S \* 12/1985 Ward ..... D12/185  
D301,710 S \* 6/1989 Ward ..... D12/185  
D308,847 S \* 6/1990 Price ..... D12/185  
D316,536 S \* 4/1991 Charet ..... D12/185  
D746,742 S 1/2016 Curic et al.  
D808,314 S \* 1/2018 Johnson ..... D12/185  
D818,914 S \* 5/2018 Johnson ..... D12/185  
D856,230 S 8/2019 Von Holzhausen et al.  
D859,250 S \* 9/2019 Johnson ..... D12/185  
D944,159 S \* 2/2022 Ye ..... D12/184  
2009/0236814 A1 \* 9/2009 Iverson ..... B62D 25/18  
280/154

\* cited by examiner

*Primary Examiner* — Cary M Robinson

*Assistant Examiner* — Adam C Mager

(74) *Attorney, Agent, or Firm* — Jeenam Park

(57) **CLAIM**

The ornamental design for a fender, as shown and described.

**DESCRIPTION**

FIG. 1 is a perspective view of a fender, showing my new design;

FIG. 2 is another perspective view thereof;

FIG. 3 is a front view thereof;

FIG. 4 is a rear view thereof;

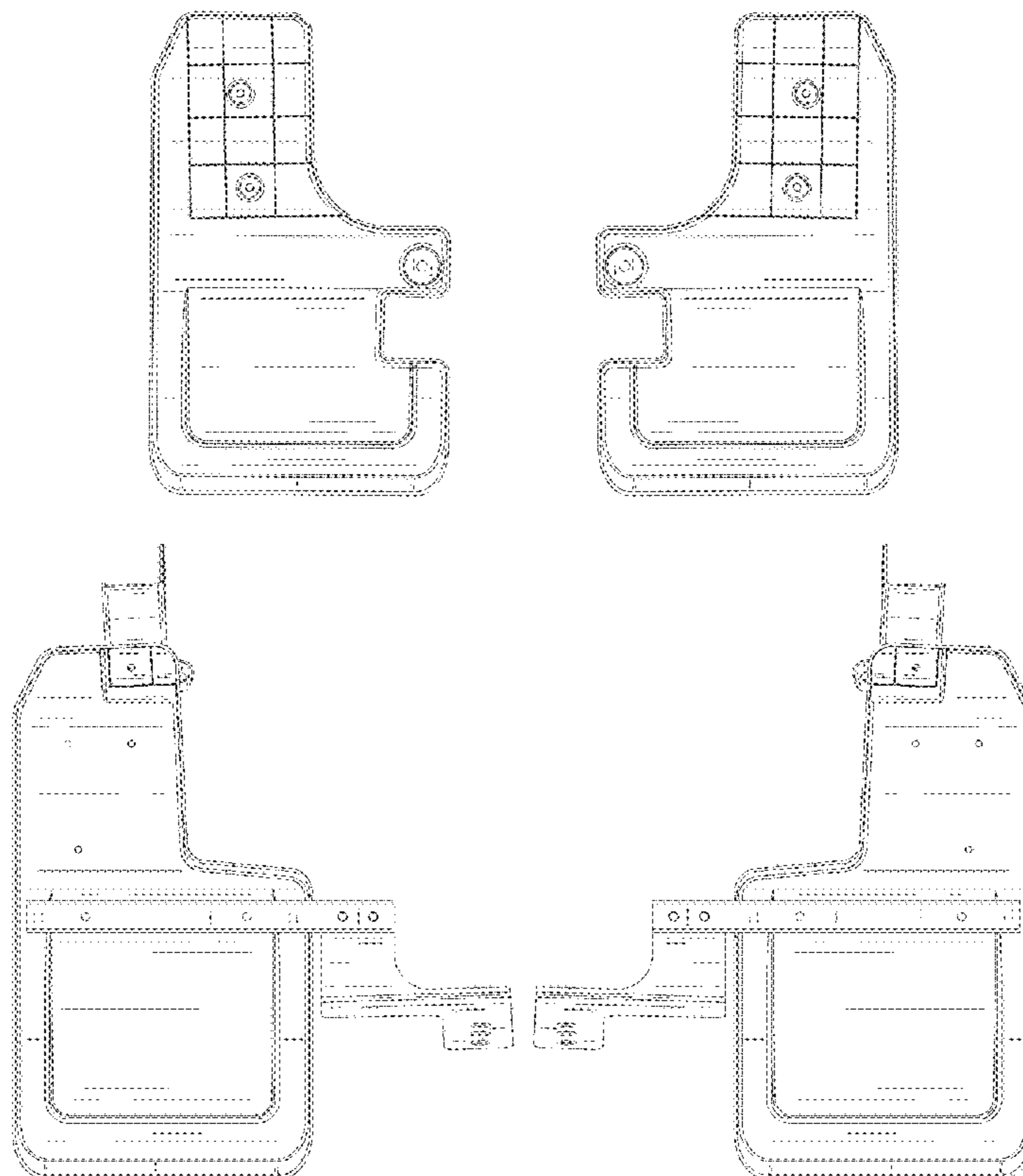
FIG. 5 is a left side view thereof;

FIG. 6 is a right side view thereof;

FIG. 7 is a top plan view thereof; and,

FIG. 8 is a bottom plan view thereof.

**1 Claim, 8 Drawing Sheets**



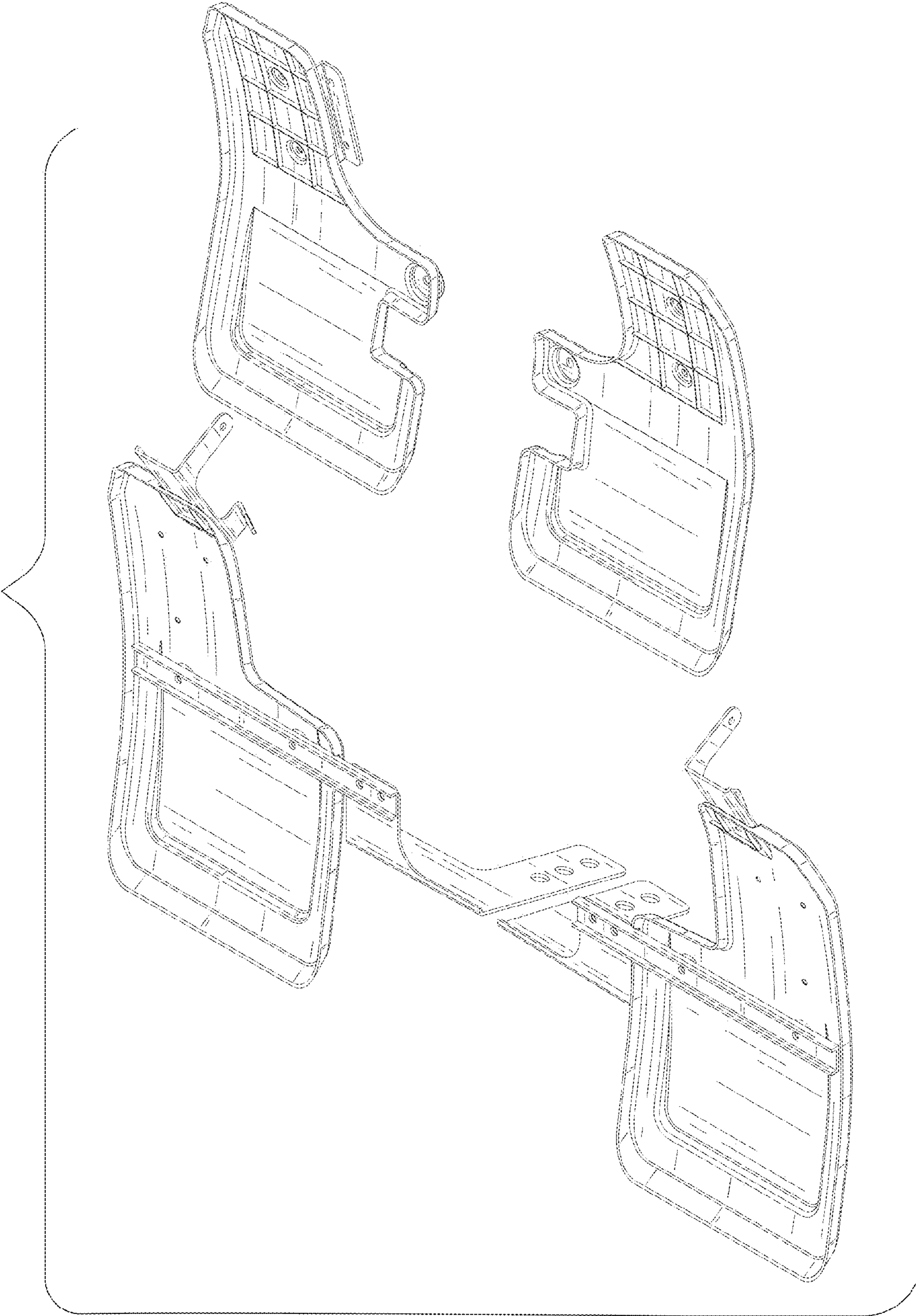


FIG. 1



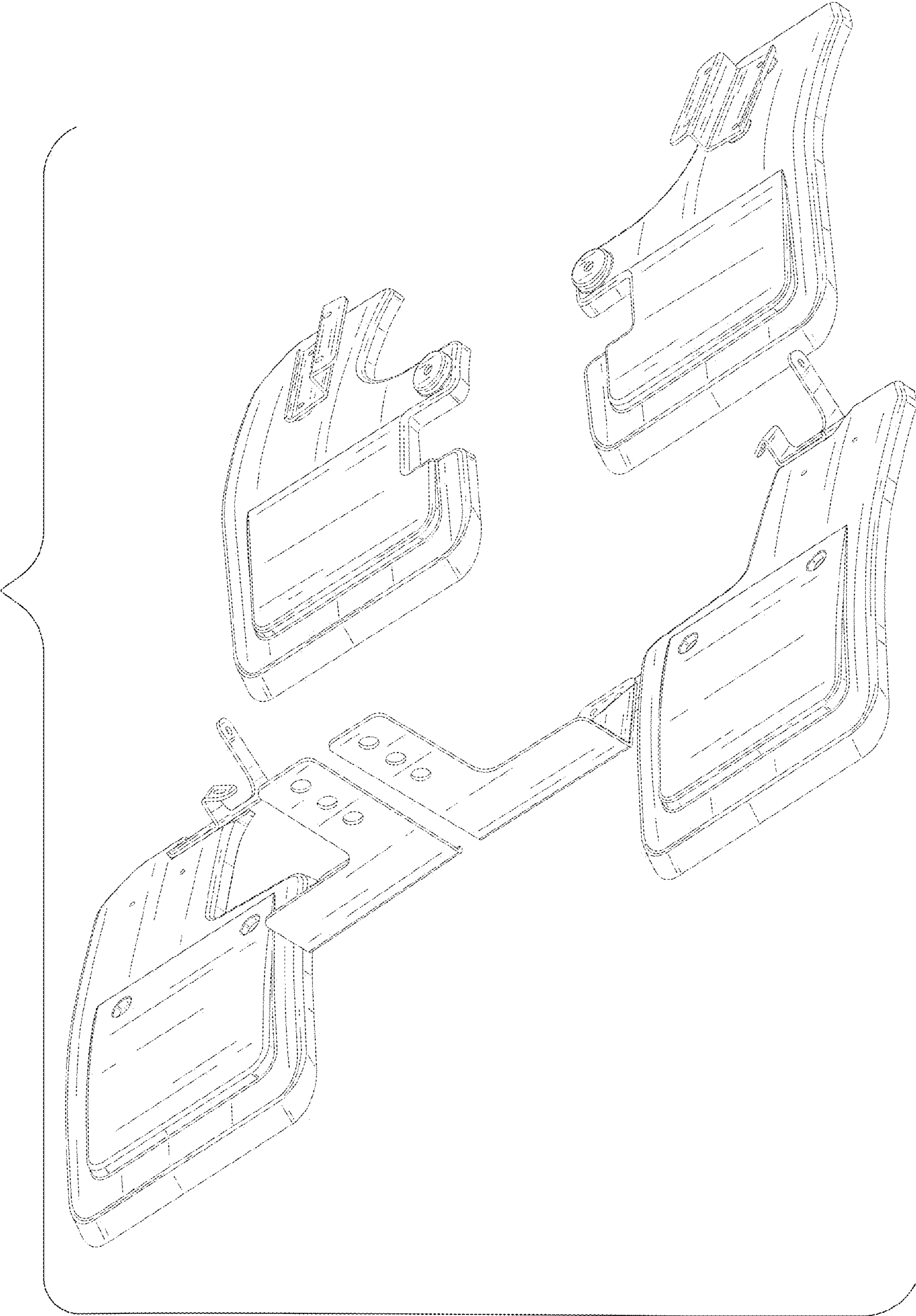


FIG. 2

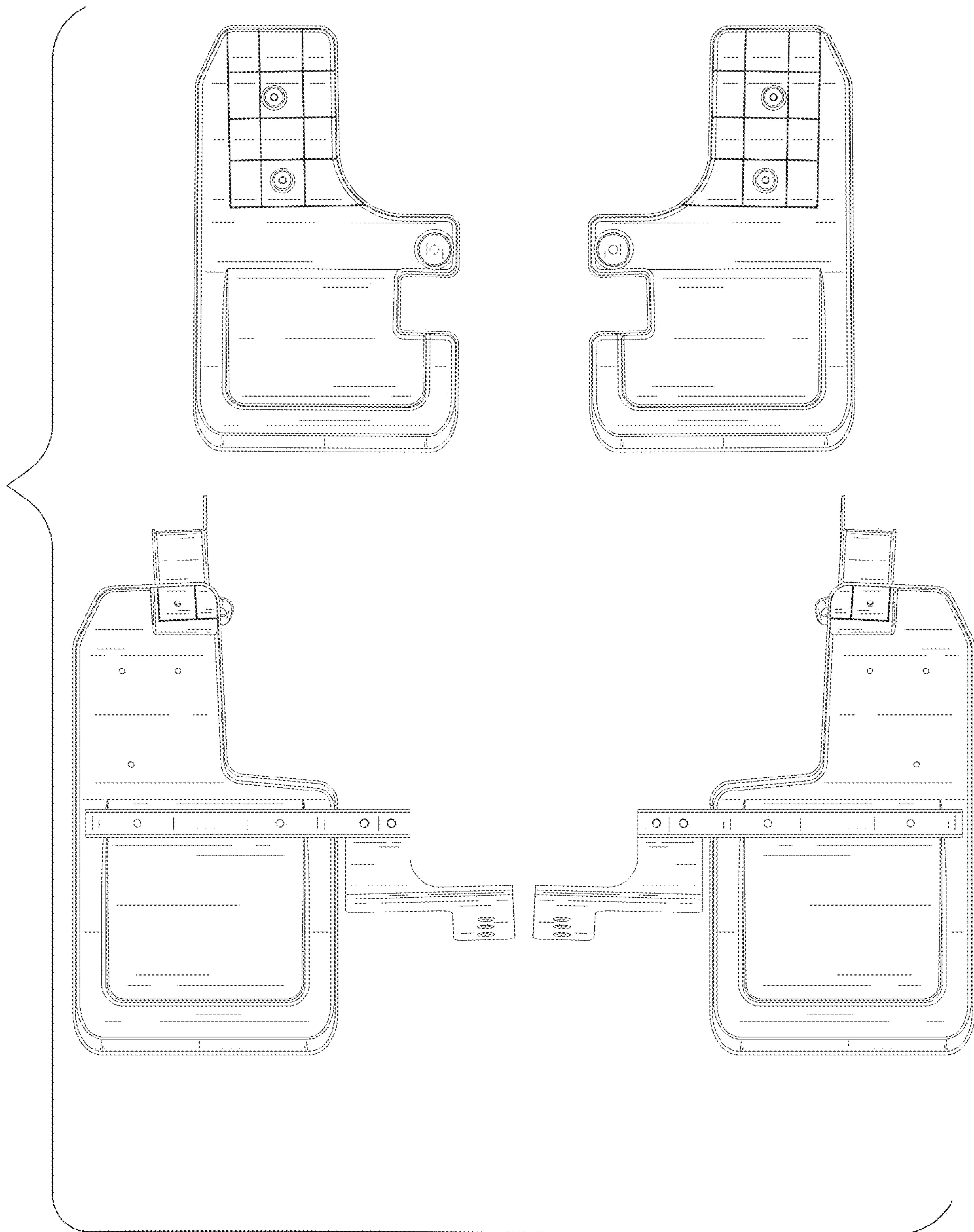


FIG. 3

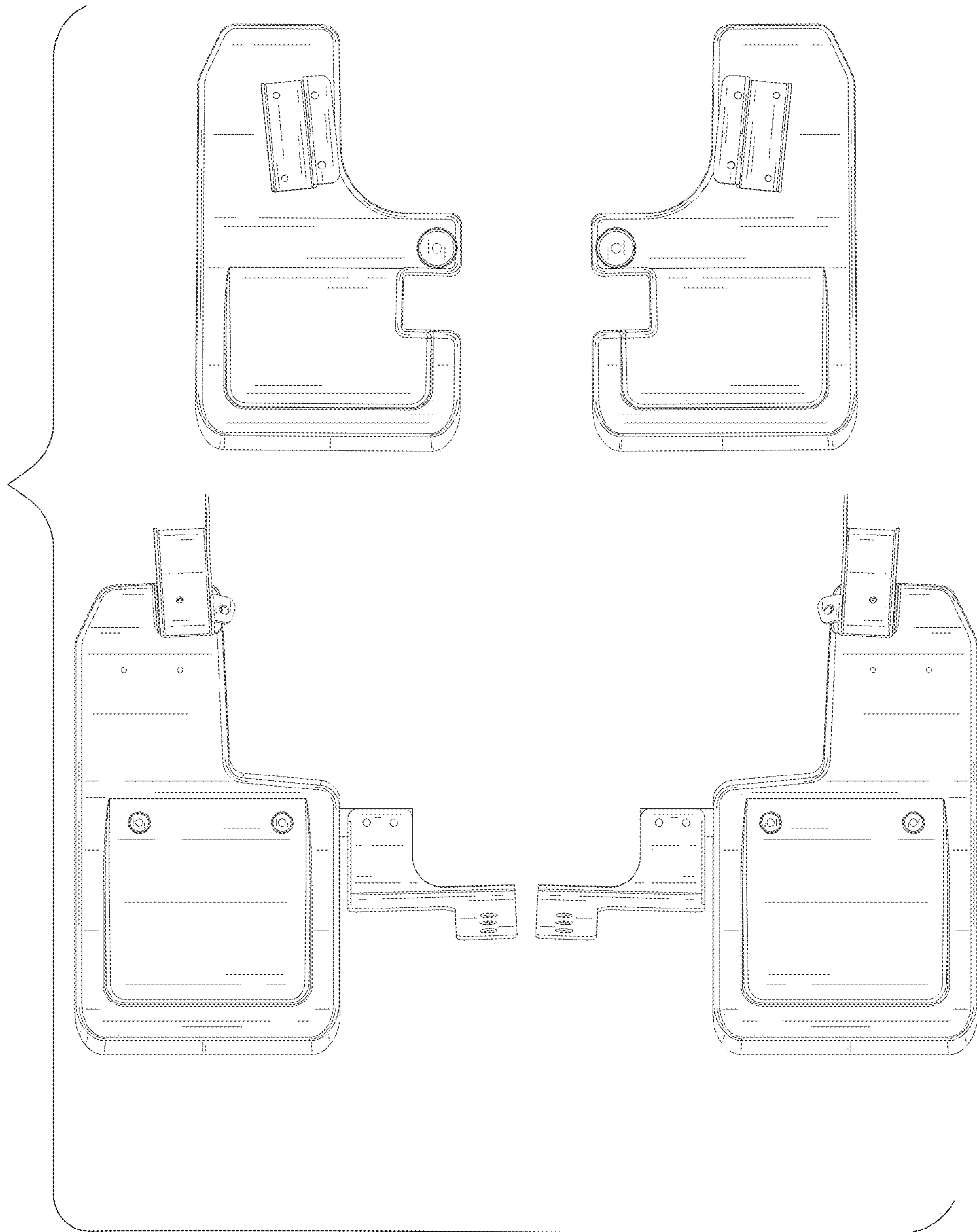


FIG. 4

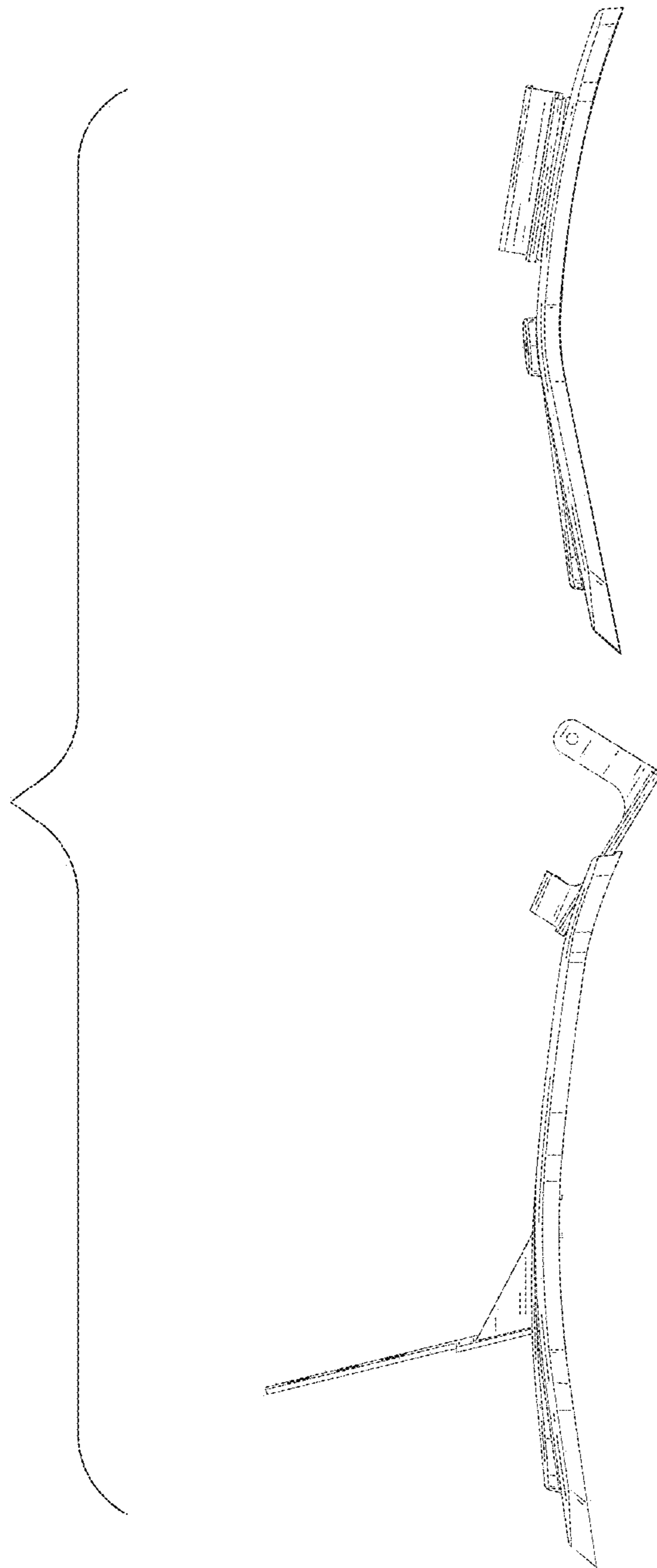


FIG. 5

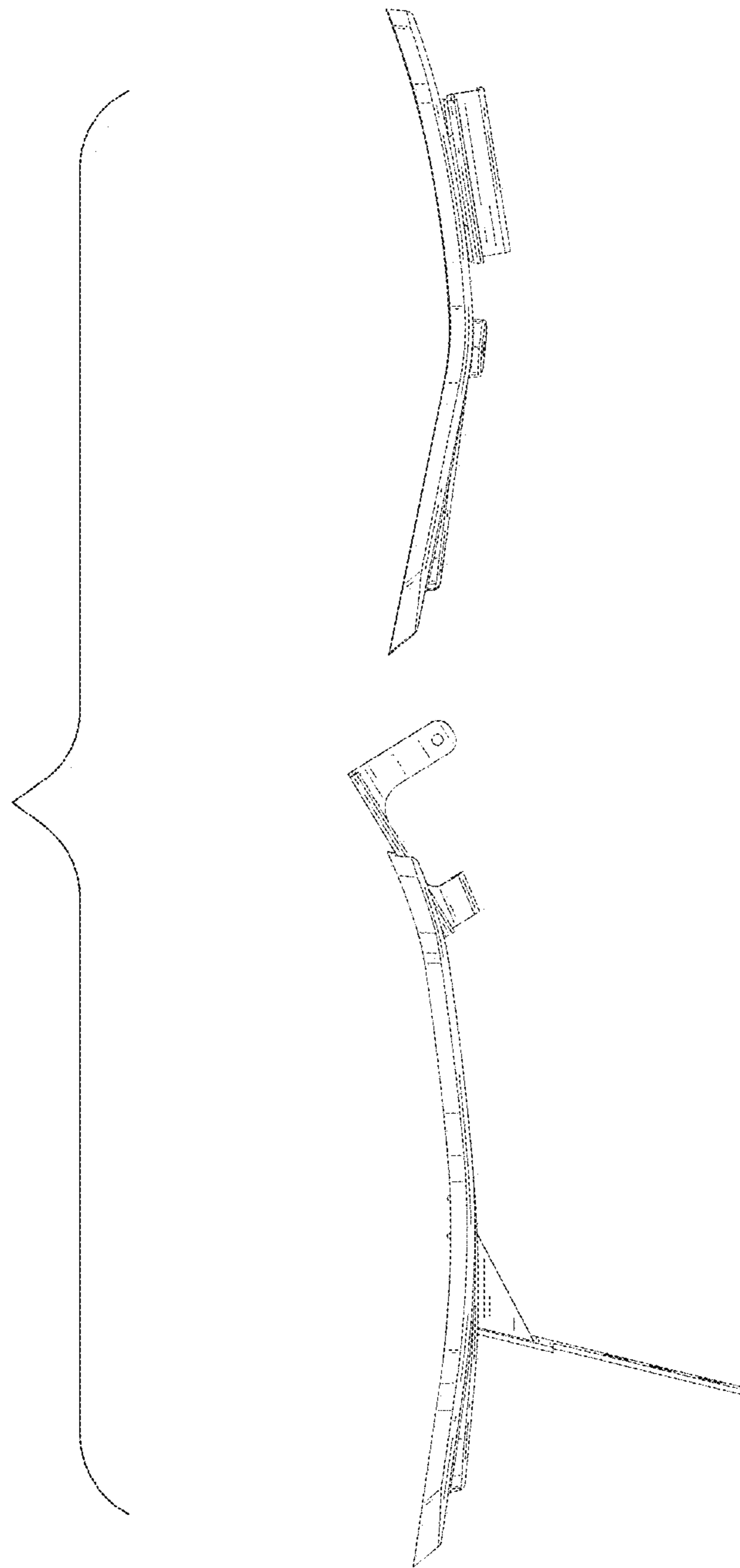


FIG. 6



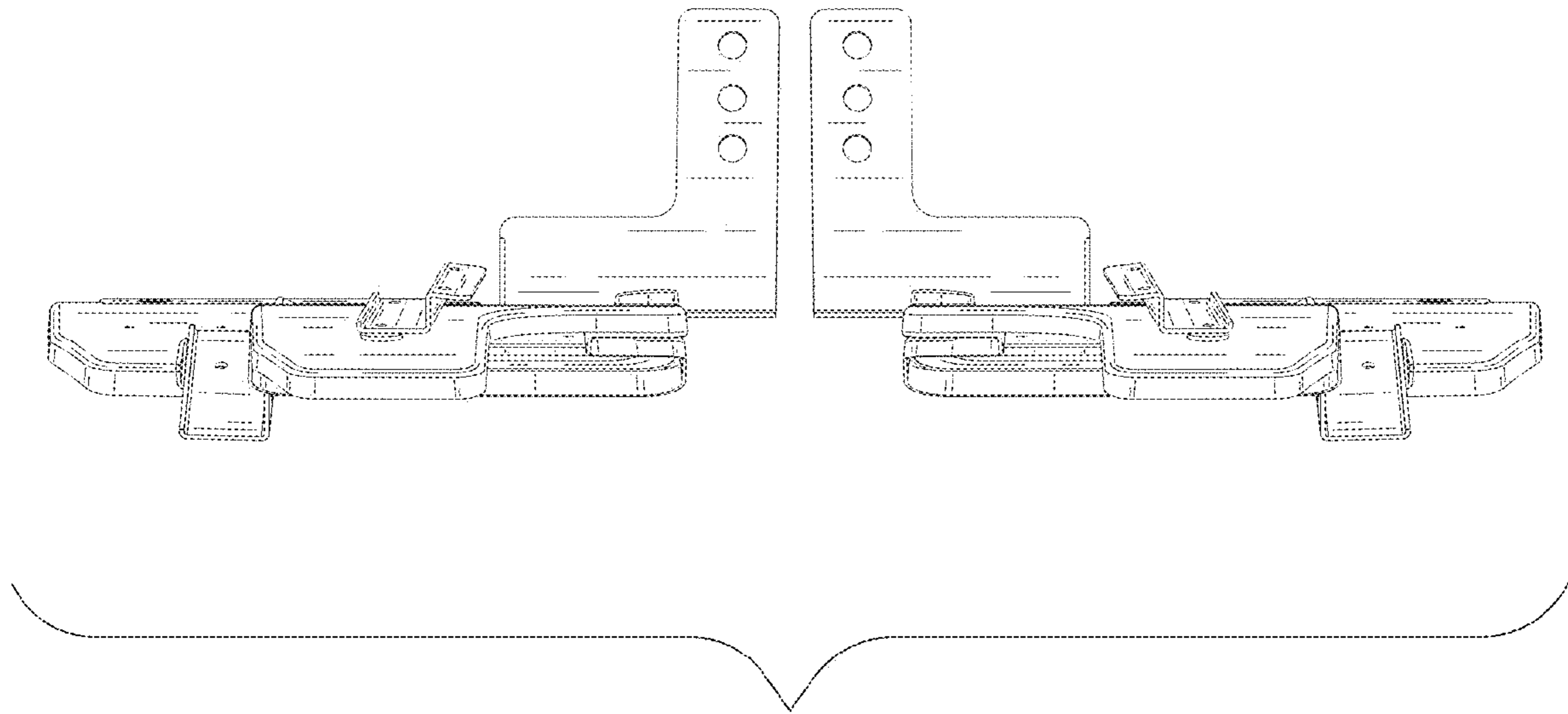


FIG. 7



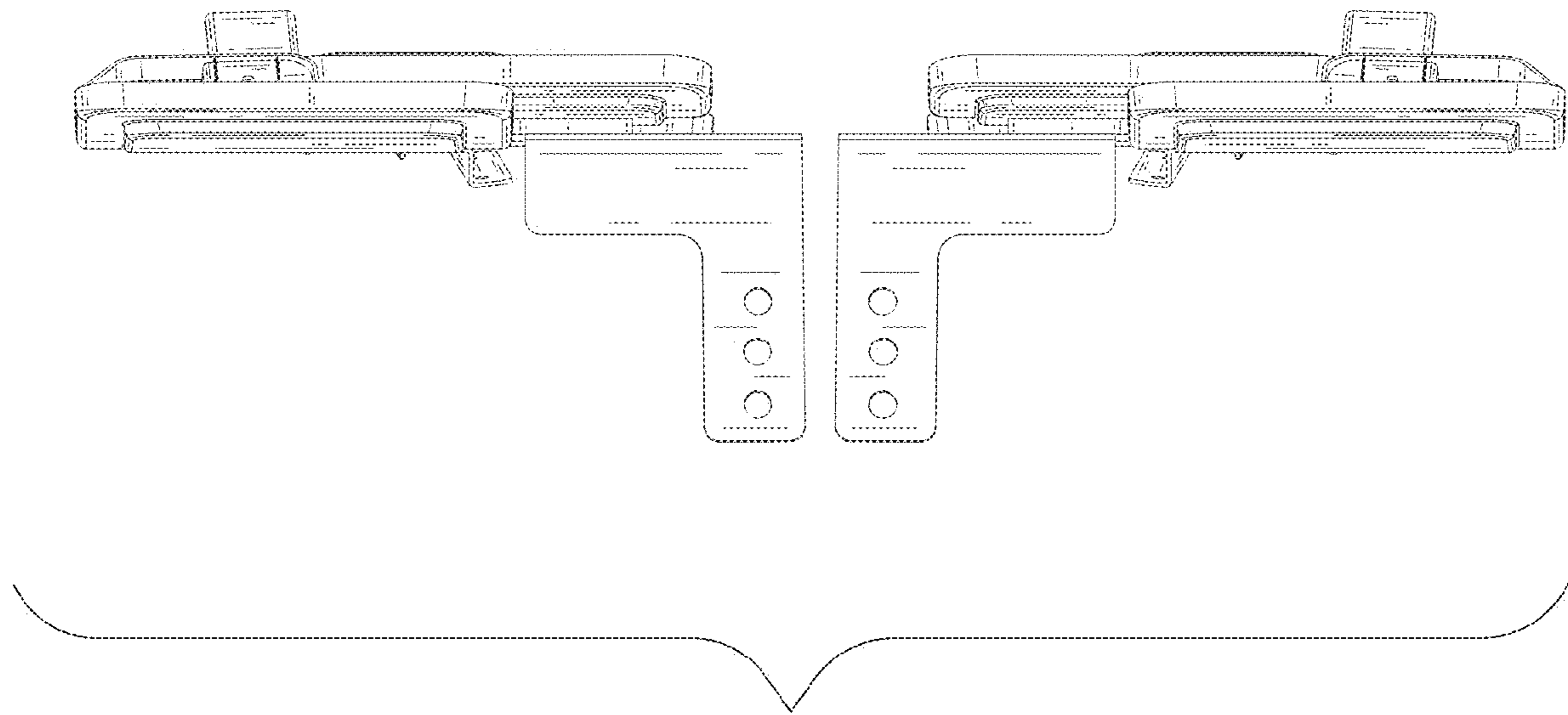


FIG. 8