



US00D973564S

(12) **United States Design Patent** (10) **Patent No.:** **US D973,564 S**
Spencer et al. (45) **Date of Patent:** **** Dec. 27, 2022**

(54) **MUD FLAP**

OTHER PUBLICATIONS

(71) Applicant: **Cruiser Accessories, LLC**, Monument, CO (US)

(72) Inventors: **Todd R. Spencer**, Monument, CO (US); **Mark Hunter Basenberg, Jr.**, Colorado Springs, CO (US)

(73) Assignee: **Cruiser Accessories, LLC**, Monument, CO (US)

(**) Term: **15 Years**

(21) Appl. No.: **29/774,028**

(22) Filed: **Mar. 12, 2021**

(51) **LOC (13) Cl.** **12-16**

(52) **U.S. Cl.**
USPC **D12/185**

(58) **Field of Classification Search**
USPC D12/90-92, 93, 96, 181, 184, 185, 196, D12/202
CPC B62D 25/18; B62D 25/188
See application file for complete search history.

(56) **References Cited**

U.S. PATENT DOCUMENTS

D338,863 S *	8/1993	Nakayama	D12/185
D362,226 S *	9/1995	Sacks	D12/185
D652,771 S *	1/2012	Deturt	D12/184
D709,069 S *	7/2014	Cruz	D14/385
D954,435 S *	6/2022	Yang	D3/247

Realtruck, RockStar Full Width Tow Flap, published Aug. 31, 2021, [retrieved Oct. 7, 2022]. Retrieved from the internet <https://realtruck.com/p/rockstar-full-width-tow-flap/> (Year: 2021).
etrailer.com, Rock Screen for Rock Tamer Heavy-Duty Adjustable Mud Flap System, published Apr. 18, 2022 [retrieved Oct. 7, 2022]. Retrieved from the internet <https://www.etrailer.com/Accessories-and-Parts/Rock-Tamers/RT37FR.html?> (Year: 2022).*

* cited by examiner

Primary Examiner — Joseph Kukella

Assistant Examiner — Lavon M Amerson

(74) *Attorney, Agent, or Firm* — Stanley J. Gradisar
Attorney At Law, LLC; Stanley J. Gradisar

(57) **CLAIM**

The ornamental design for a mud flap, as shown and described.

DESCRIPTION

FIG. 1 is a perspective front view showing our new design for a mud flap.

FIG. 2 is a front elevation view of the mud flap shown in FIG. 1.

FIG. 3 is a back elevation view thereof.

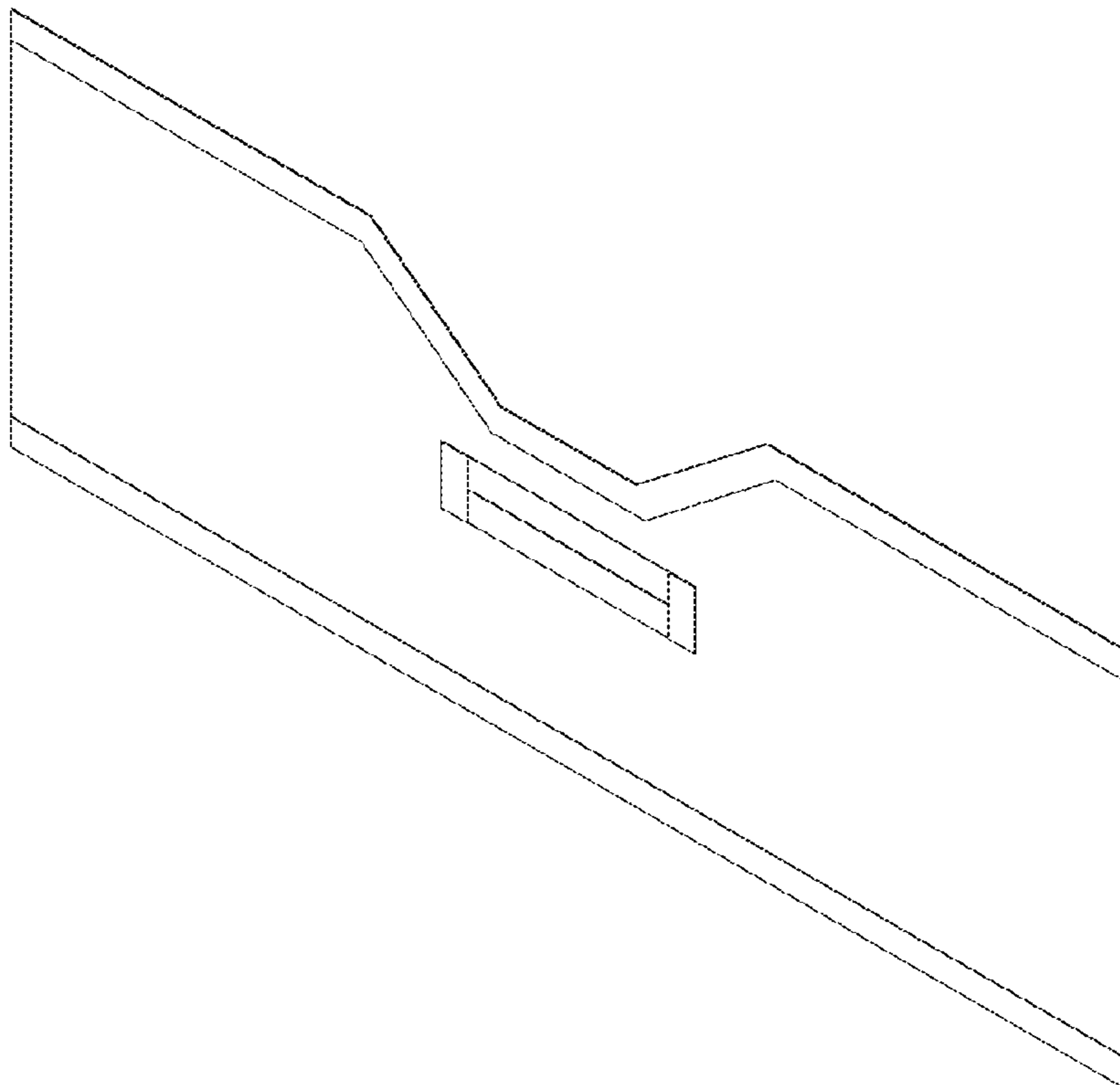
FIG. 4 is a top plan view thereof.

FIG. 5 is a bottom planview thereof.

FIG. 6 is a right-side elevation view thereof; and,

FIG. 7 is a left-side elevation view thereof.

1 Claim, 3 Drawing Sheets



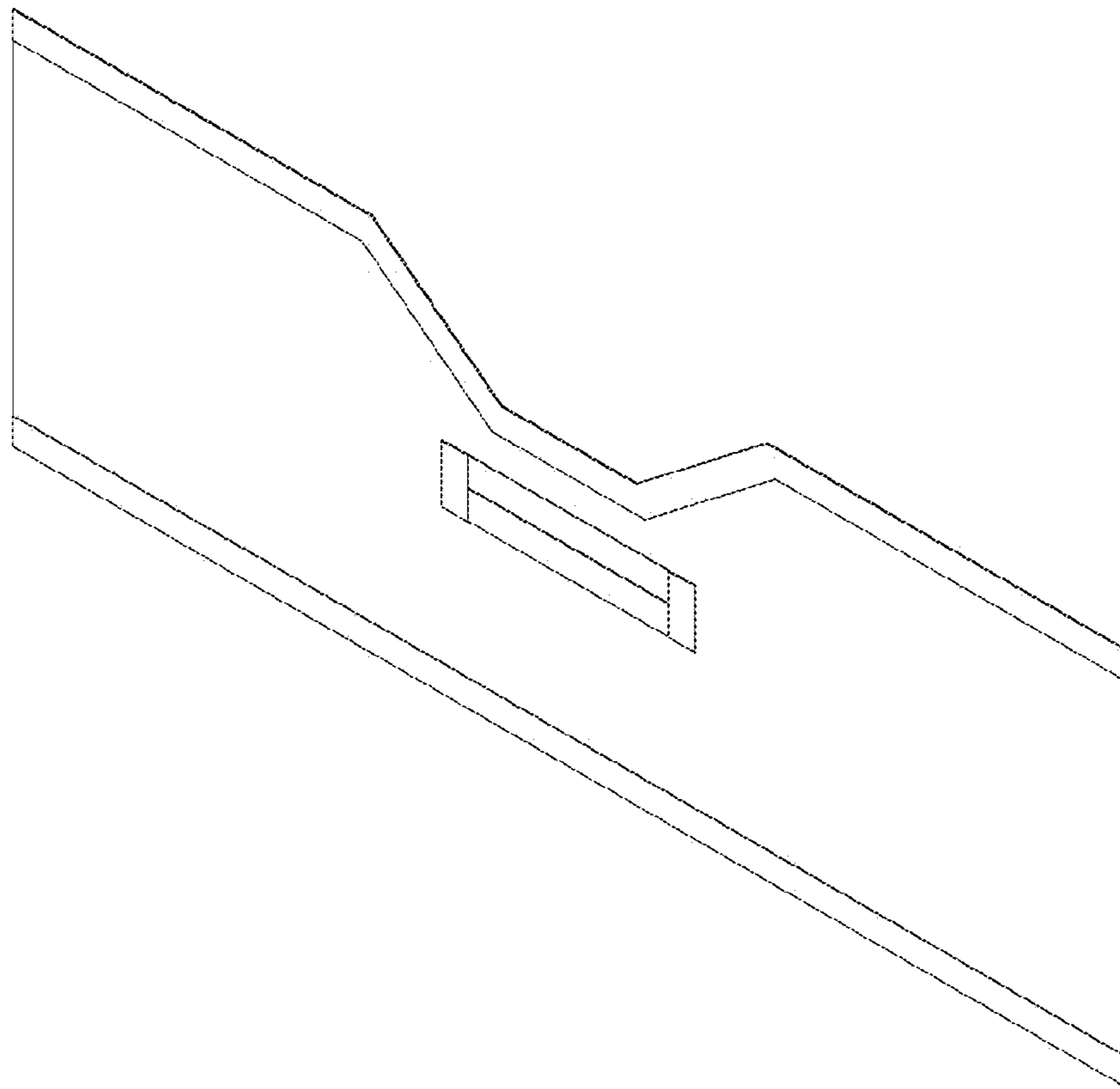


Fig. 1

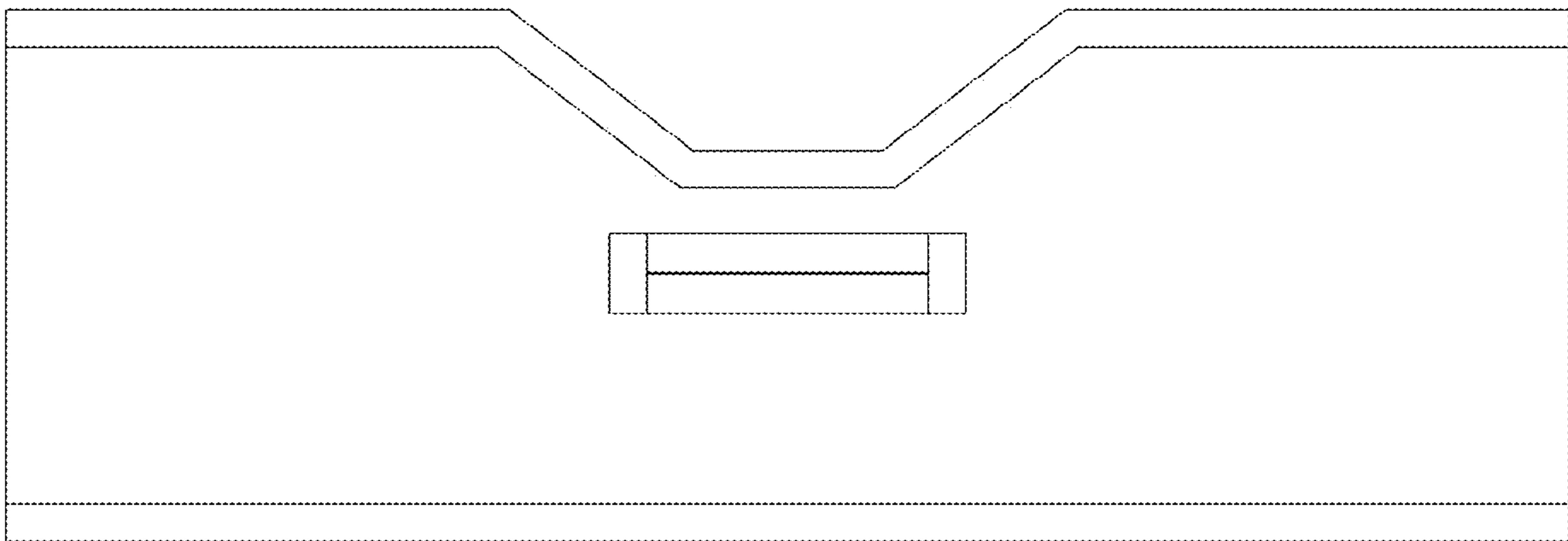


Fig. 2

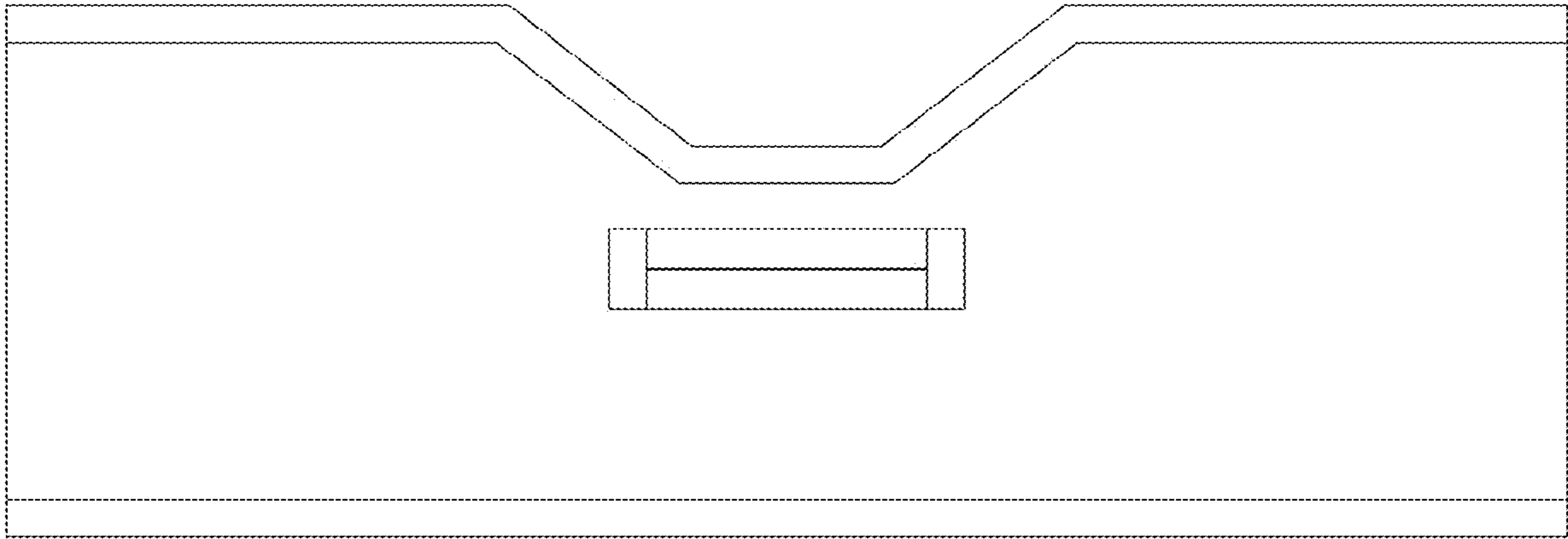


Fig. 3



Fig. 4



Fig. 5



Fig. 6



Fig. 7