



US00D973563S

(12) **United States Design Patent**
Frank et al.

(10) **Patent No.:** **US D973,563 S**

(45) **Date of Patent:** **** Dec. 27, 2022**

(54) **VEHICLE LOUVER SYSTEM**

D941,720 S * 1/2022 Manzoni D12/181
D942,338 S * 2/2022 Verbrugge D12/181
D948,395 S * 4/2022 Gunnarson D12/181

(71) Applicant: **Factory Five Licensing, Inc.**,
Wareham, MA (US)

* cited by examiner

(72) Inventors: **Phil Frank**, Wareham, MA (US);
James Schenck, Wareham, MA (US)

Primary Examiner — Katrina A Betton
(74) *Attorney, Agent, or Firm* — Virtual IP Law, LLC

(73) Assignee: **Factory Five Licensing, Inc.**,
Wareham, MA (US)

(57) **CLAIM**

The ornamental design for a vehicle louver system and wing,
as shown and described.

(**) Term: **15 Years**

DESCRIPTION

(21) Appl. No.: **29/716,428**

(22) Filed: **Dec. 10, 2019**

(51) **LOC (13) Cl.** **12-16**

(52) **U.S. Cl.**
USPC **D12/181**

(58) **Field of Classification Search**
USPC D12/181–184, 190, 191, 400
CPC B62D 35/00; B62D 35/007; B62D 37/02
See application file for complete search history.

FIG. 1 is a top front perspective view of a vehicle louver system and wing showing our new design;
FIG. 2 is a top rear perspective view of the vehicle louver system and wing of FIG. 1;
FIG. 3 is a front view of the vehicle louver system and wing of FIG. 1;
FIG. 4 is a rear view of the vehicle louver system and wing of FIG. 1;
FIG. 5 is left side view of the vehicle louver system and wing of FIG. 1;
FIG. 6 is right side view of the vehicle louver system and wing of FIG. 1;
FIG. 7 is top view of the vehicle louver system and wing of FIG. 1; and,
FIG. 8 is bottom view of the vehicle louver system and wing of FIG. 1.

The claimed design comprises the shape and configuration of the relatively dark portions in the figures. The relatively light portions in the figures form no part of the claimed design.

(56) **References Cited**

U.S. PATENT DOCUMENTS

D901,346 S * 11/2020 Burki D12/181
D905,602 S * 12/2020 Chen D12/181
D906,912 S * 1/2021 Anscheidt D12/181
D907,549 S * 1/2021 Chiang D12/181
D909,938 S * 2/2021 Ninov D12/181
D911,234 S * 2/2021 Manzoni D12/181
D920,863 S * 6/2021 Lenglin D12/181
D926,651 S * 8/2021 Sheffield D12/181
D932,400 S * 10/2021 Anscheidt D12/181
D940,617 S * 1/2022 Lim D12/181

1 Claim, 7 Drawing Sheets

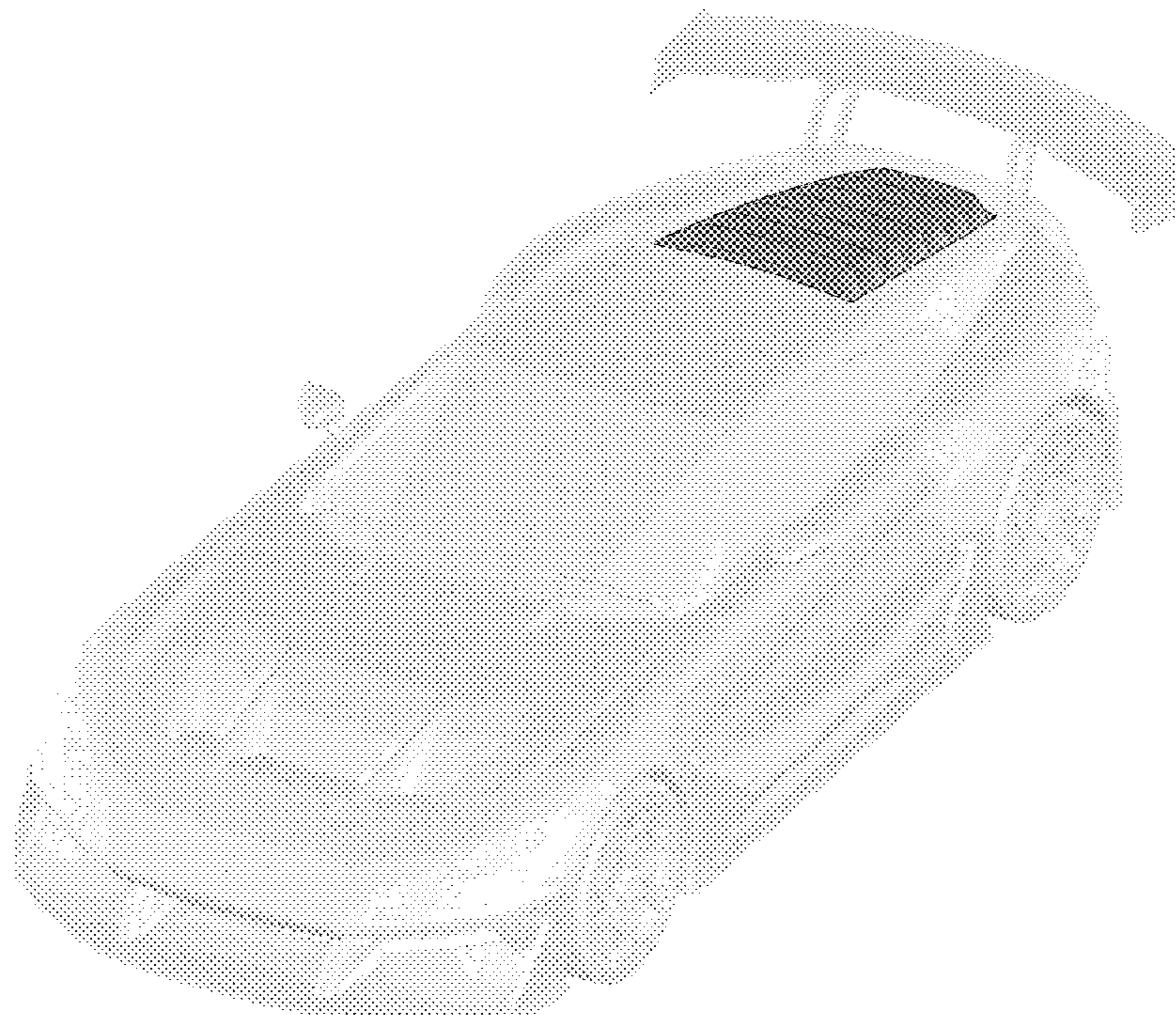




Fig. 1

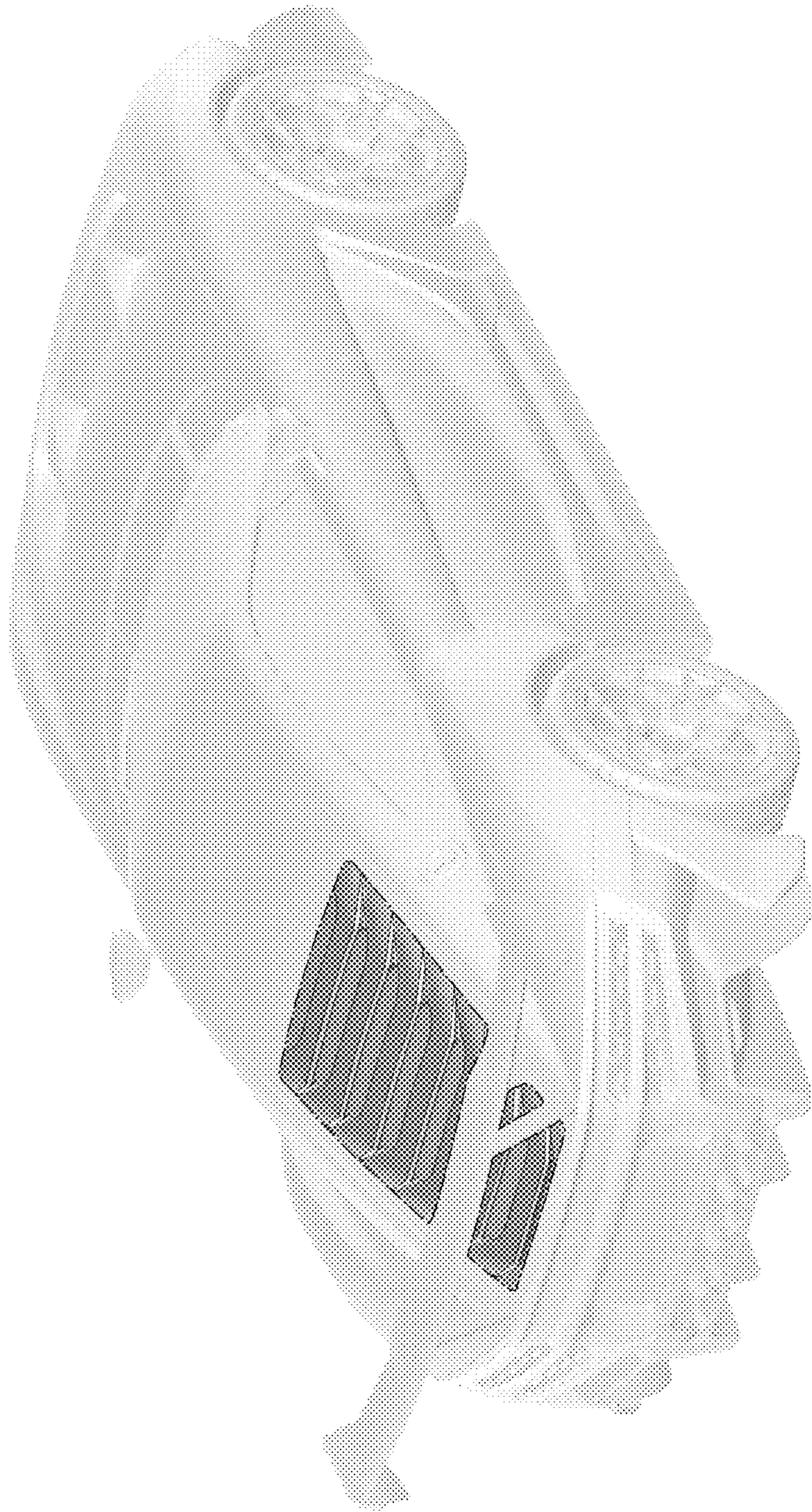


Fig. 2

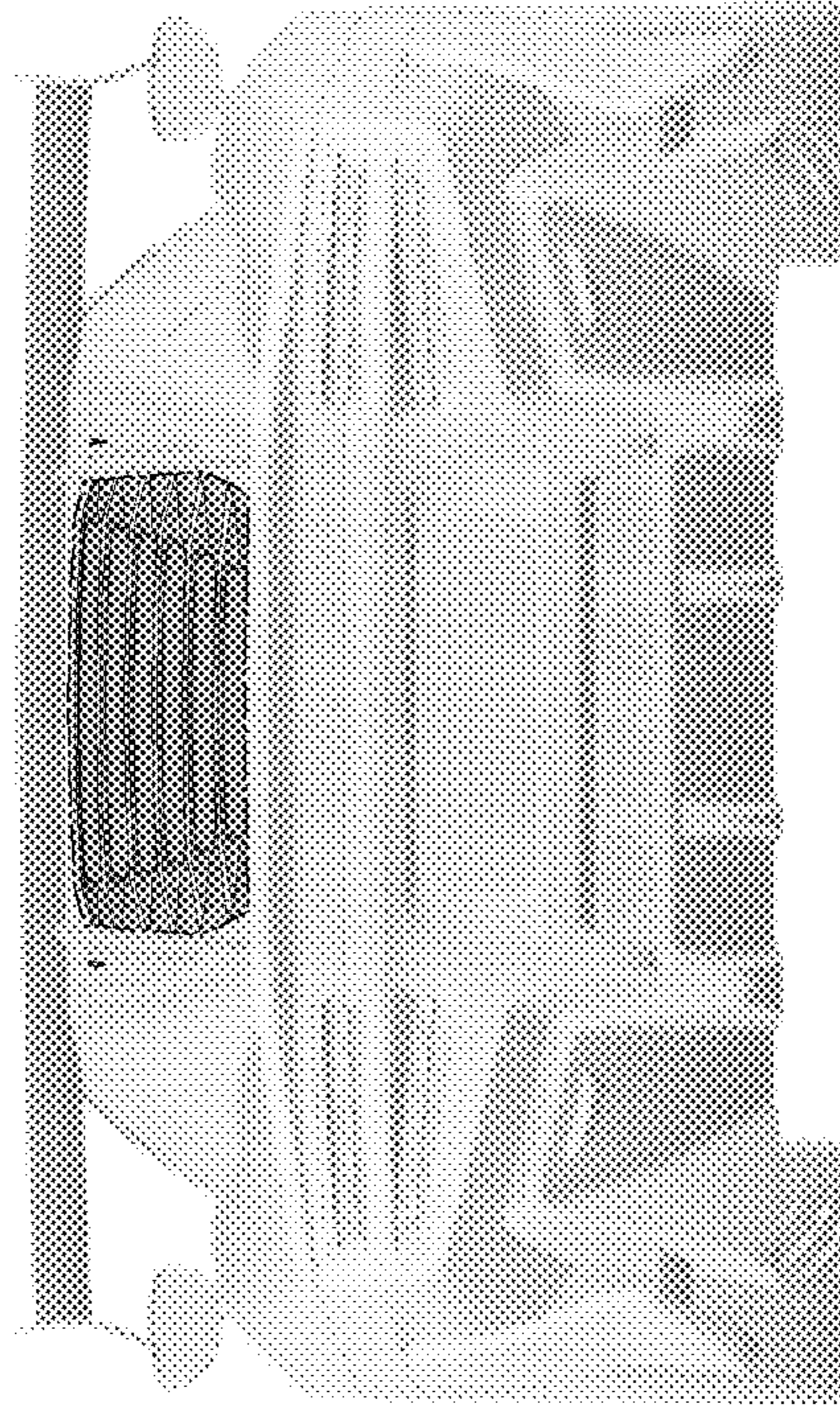


Fig. 4

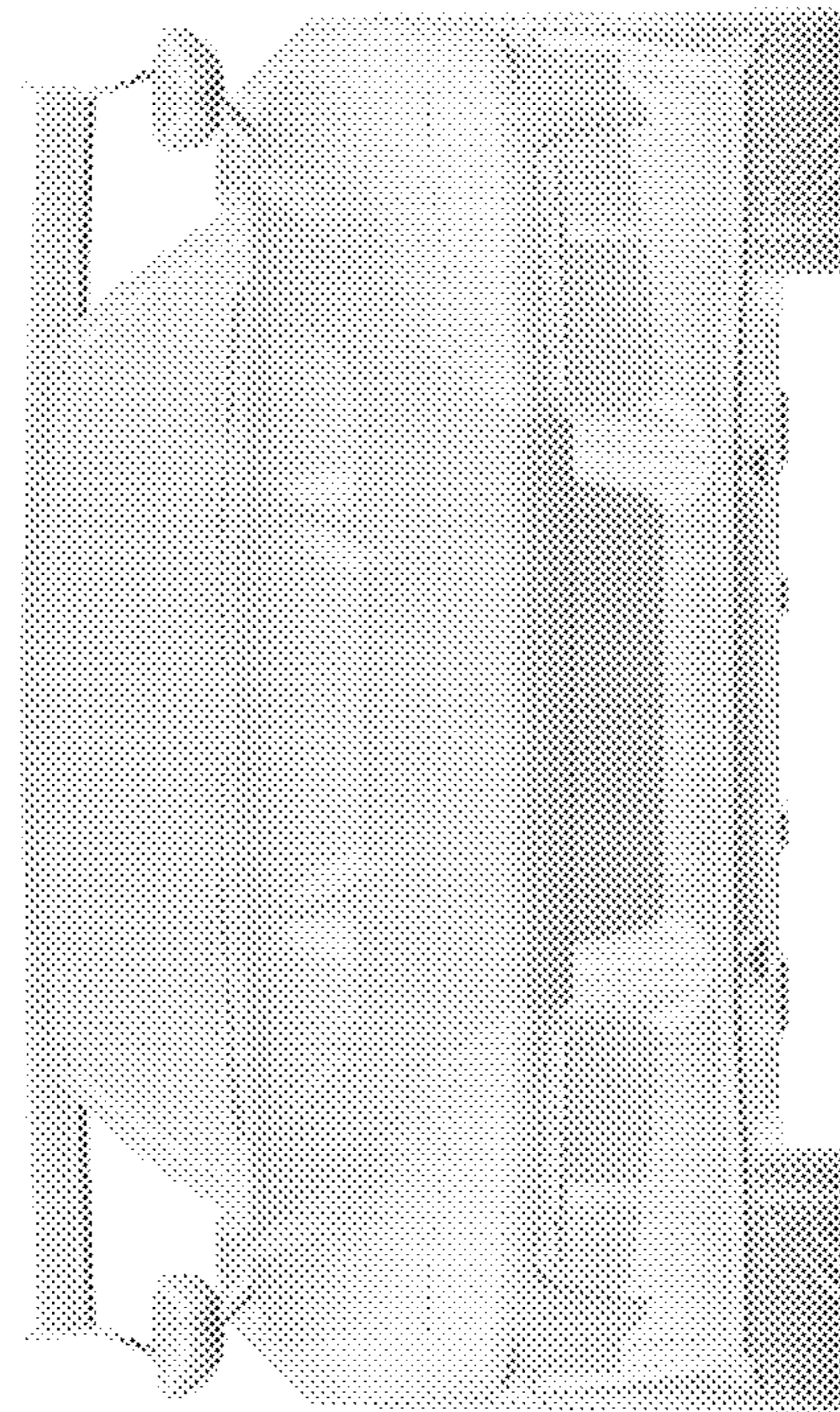


Fig. 3

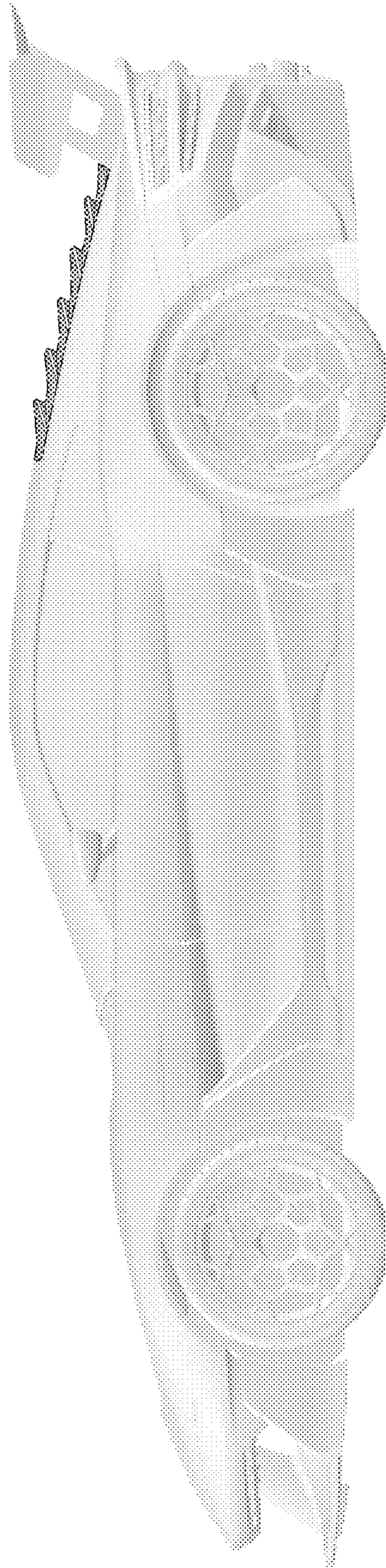


Fig. 5

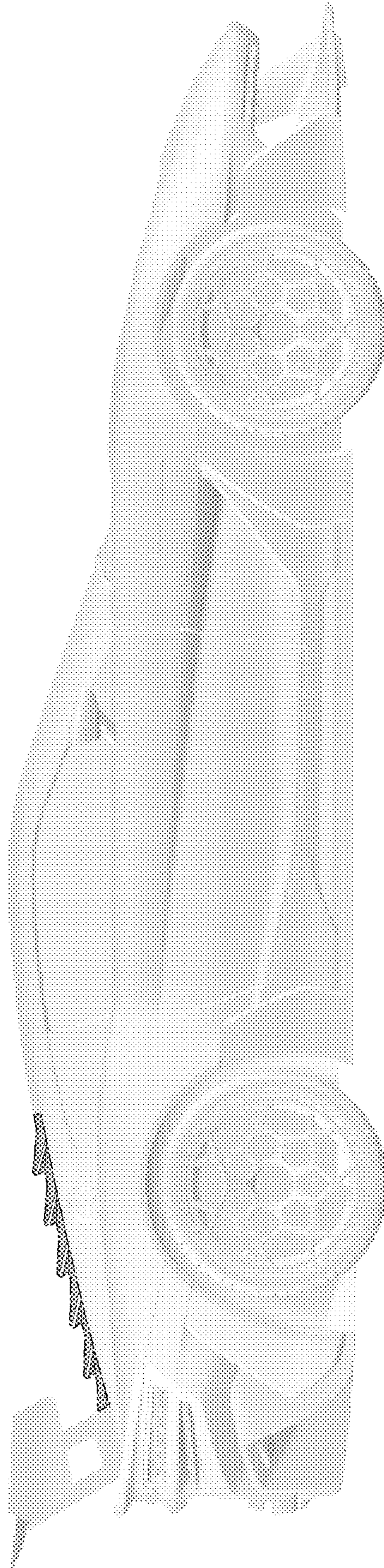


Fig. 6

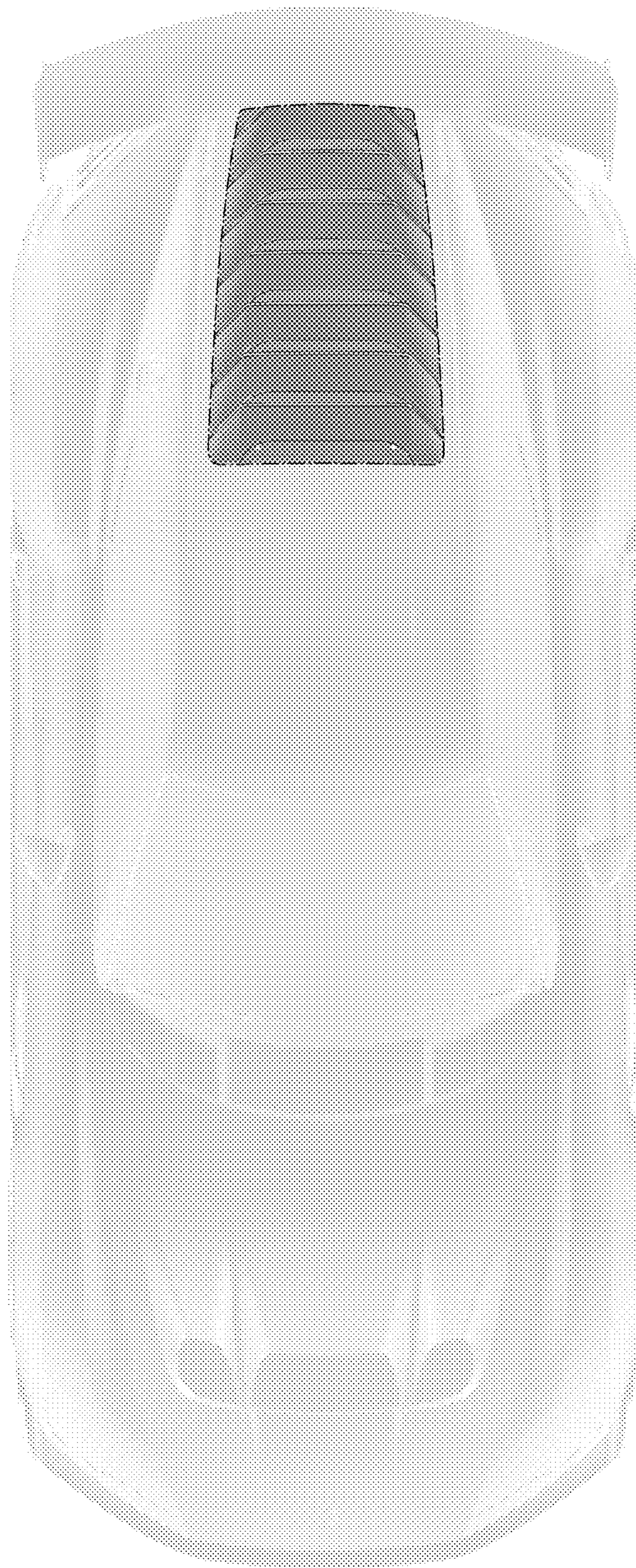


Fig. 7

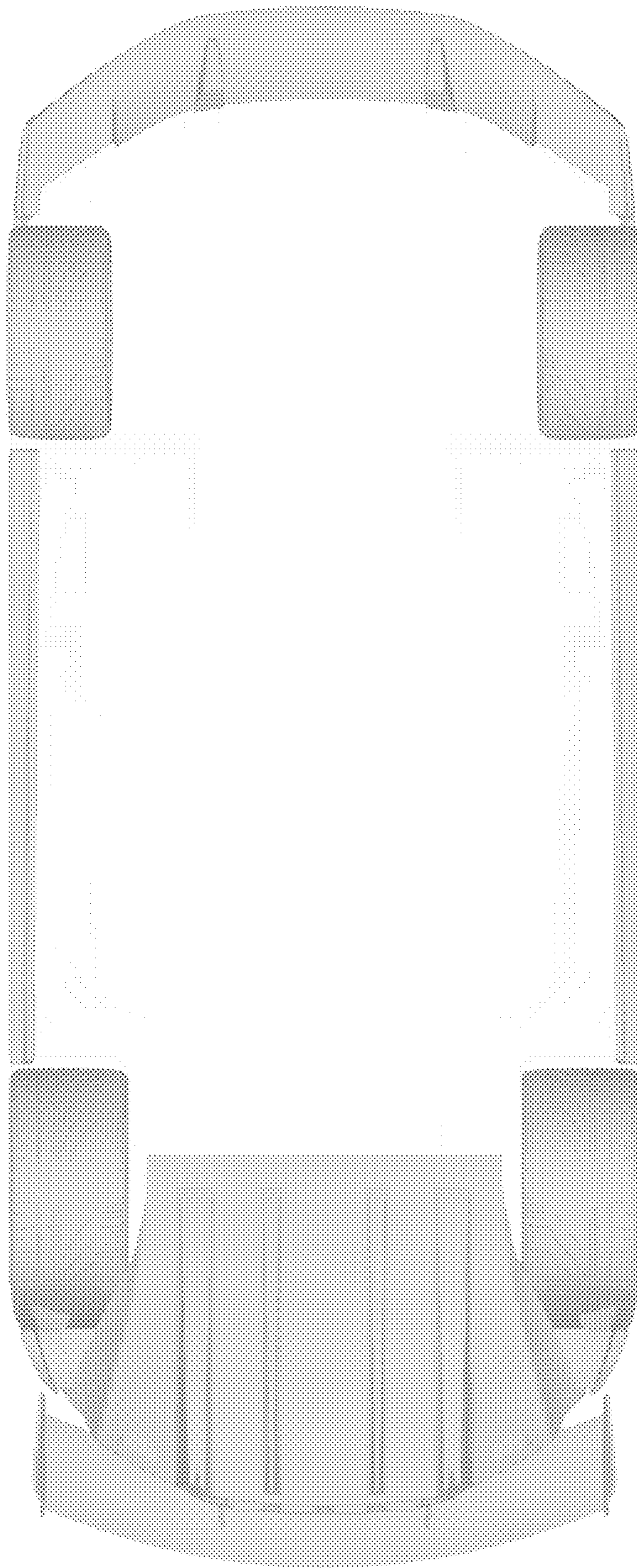


Fig. 8