



US00D973562S

(12) **United States Design Patent** (10) **Patent No.:** **US D973,562 S**  
**Gunnarsson** (45) **Date of Patent:** **\*\* Dec. 27, 2022**

(54) **STEERING WHEEL**  
(71) Applicant: **VOLVO CAR CORPORATION**,  
Gothenburg (SE)  
(72) Inventor: **Eric Gunnarsson**, Gothenburg (SE)  
(73) Assignee: **VOLVO CAR CORPORATION**,  
Gothenburg (SE)  
(\*\*) Term: **15 Years**  
(21) Appl. No.: **29/816,743**  
(22) Filed: **Nov. 24, 2021**

D797,621 S 9/2017 Ogawa et al.  
D798,205 S 9/2017 Kim  
D798,206 S \* 9/2017 Sjogren ..... D12/176  
D830,255 S 10/2018 Kawahara  
D848,913 S 5/2019 Sjogren  
D853,911 S 7/2019 Miyamoto et al.  
D880,383 S 4/2020 Kim et al.  
D881,089 S 4/2020 Sham  
D881,090 S 4/2020 Braun  
D906,198 S 12/2020 Tomasson et al.  
D909,935 S 2/2021 Galdino et al.  
D924,757 S 7/2021 Yu  
D926,650 S 8/2021 Mito et al.  
D927,375 S 8/2021 Nishimura  
D931,774 S \* 9/2021 Shimizu ..... D12/176  
D957,295 S \* 7/2022 Pérot ..... D12/176

**Related U.S. Application Data**

(63) Continuation of application No. 29/744,640, filed on  
Jul. 30, 2020, now abandoned.

(30) **Foreign Application Priority Data**

Feb. 5, 2020 (EM) ..... 007663273-0004

(51) **LOC (13) Cl.** ..... **12-16**

(52) **U.S. Cl.**  
USPC ..... **D12/176**

(58) **Field of Classification Search**  
USPC ..... D12/175, 176, 177; 74/552, 558, 558.5  
CPC ..... B60R 21/203; B60R 21/05; B62D 1/04  
See application file for complete search history.

(56) **References Cited**

**U.S. PATENT DOCUMENTS**

D709,006 S 7/2014 Busse et al.  
D710,769 S \* 8/2014 Cheung ..... D12/176  
D741,759 S 10/2015 Persson et al.  
D760,134 S 6/2016 Montousse et al.  
D772,124 S 11/2016 Lee et al.  
D786,153 S 5/2017 Callum et al.  
D787,390 S 5/2017 Kanda et al.  
D797,021 S 9/2017 Chergosky et al.

**OTHER PUBLICATIONS**

Volvo Car Corporation, Volvo XC90 steering wheel, 2015.

\* cited by examiner

*Primary Examiner* — Melody N Brown

(74) *Attorney, Agent, or Firm* — Calderon Safran & Cole  
PC

(57) **CLAIM**

The ornamental design for a steering wheel, as shown and  
described.

**DESCRIPTION**

FIG. 1 is a front view of a steering wheel showing my new  
design;  
FIG. 2 is a front and right side perspective view thereof;  
FIG. 3 is a front and left side perspective view thereof;  
FIG. 4 is a left side view thereof;  
FIG. 5 is a right side view thereof;  
FIG. 6 is a rear view thereof;  
FIG. 7 is a top view thereof; and,  
FIG. 8 is a bottom view thereof.

**1 Claim, 8 Drawing Sheets**





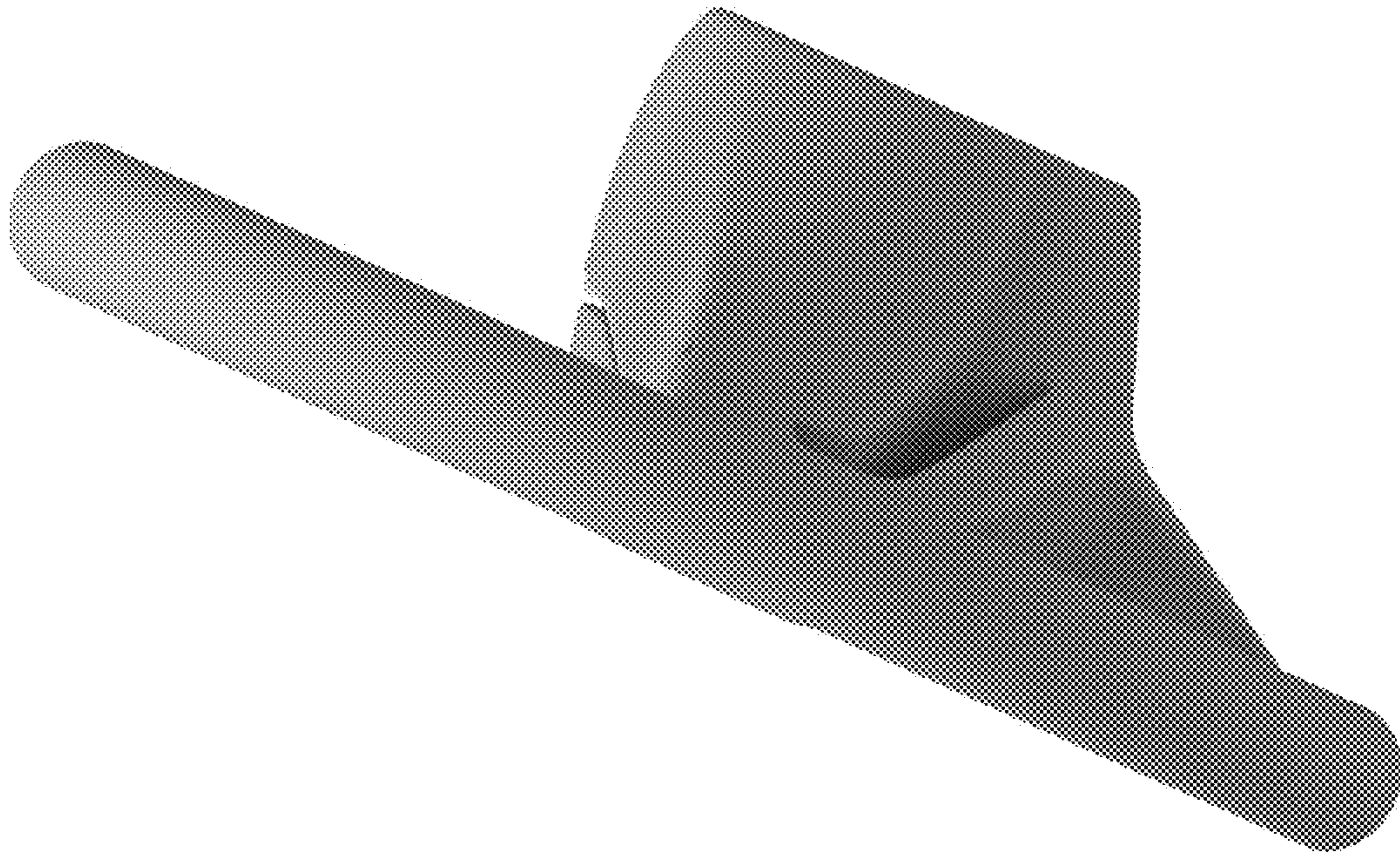
**FIG. 1**



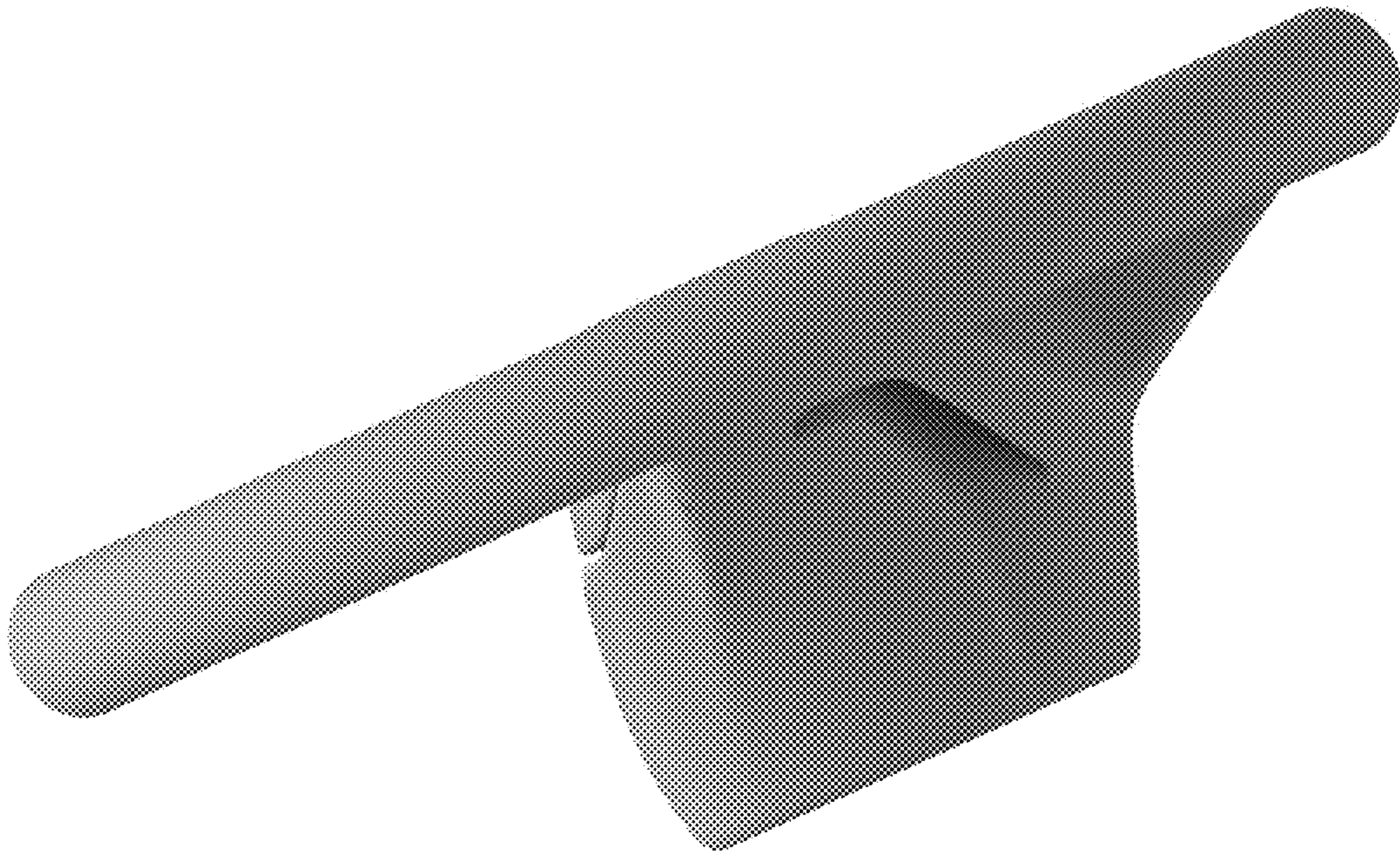
**FIG. 2**



**FIG. 3**



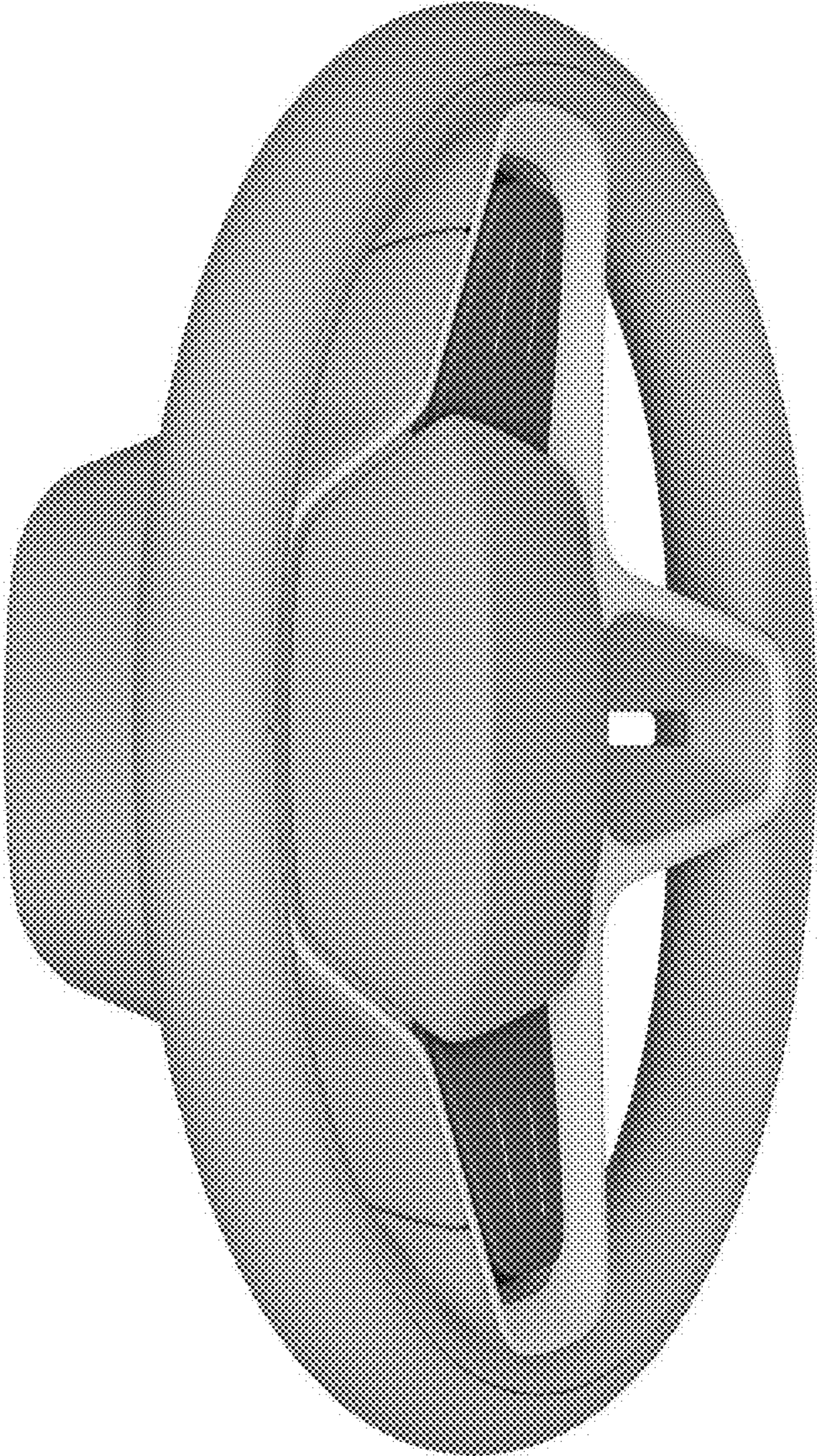
**FIG. 4**



**FIG. 5**

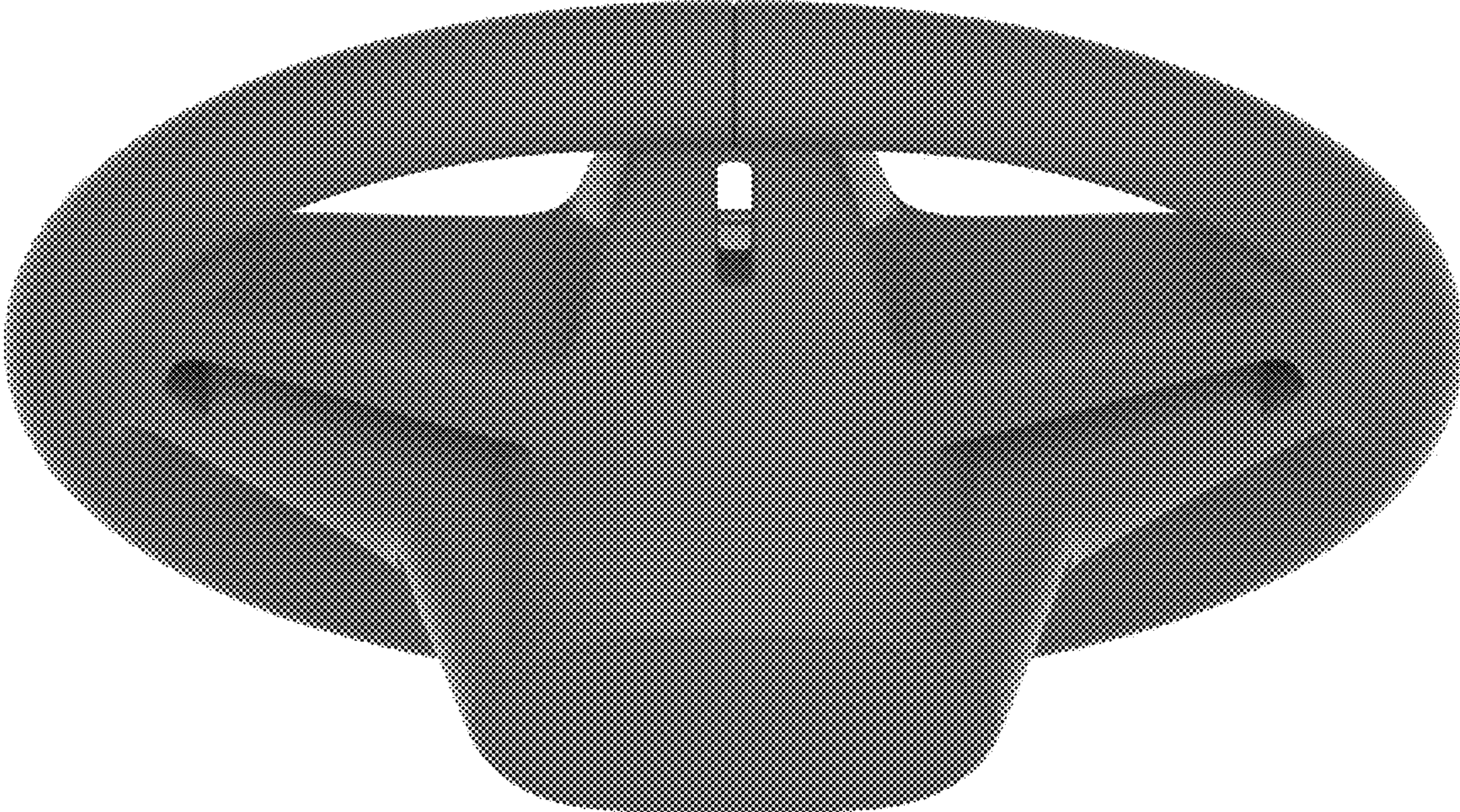


**FIG. 6**



**FIG. 7**





**FIG. 8**