



US00D973561S

(12) **United States Design Patent** (10) **Patent No.:** **US D973,561 S**
Kang et al. (45) **Date of Patent:** **** Dec. 27, 2022**

(54) **FRONT BUMPER COVER FOR VEHICLES**

(71) Applicants: **HYUNDAI MOTOR COMPANY**,
Seoul (KR); **KIA CORPORATION**,
Seoul (KR)

(72) Inventors: **Hanmo Kang**, Hwaseong-si (KR);
Kwaeje Cho, Yongin-si (KR)

(73) Assignees: **Hyundai Motor Company**, Seoul
(KR); **Kia Corporation**, Seoul (KR)

(**) Term: **15 Years**

(21) Appl. No.: **35/512,350**

(22) Filed: **Jul. 16, 2021**

(80) **Hague Agreement Data**

Int. Filing Date: **Jul. 16, 2021**
Int. Reg. No.: **DM/215596**
Int. Reg. Date: **Jul. 16, 2021**
Int. Reg. Pub. Date: **Aug. 13, 2021**

(30) **Foreign Application Priority Data**

Mar. 29, 2021 (KR) 30-2021-0015031

(51) **LOC (13) Cl.** **12-16**

(52) **U.S. Cl.**
USPC **D12/169**

(58) **Field of Classification Search**
USPC D12/163, 196, 86, 90-92, 169, 190, 98,
D12/164; 293/102, 113, 115, 117, 120,
293/193.11; 296/180.1, 180.2
CPC B60R 19/02; B60R 19/04; B62D 25/08
See application file for complete search history.

(56) **References Cited**

U.S. PATENT DOCUMENTS

8,157,303 B2 * 4/2012 Fortin B60R 19/52
293/115
D801,241 S * 10/2017 Park D12/169

D817,826 S * 5/2018 Seo D12/169
D855,511 S * 8/2019 Smith D12/169
D856,223 S * 8/2019 Thogersen D12/169
D866,418 S * 11/2019 Peplowski D12/169
D867,234 S * 11/2019 Peplowski D12/169
D870,612 S * 12/2019 Tonello D12/169
D871,279 S * 12/2019 Tonello D12/169
D890,651 S * 7/2020 Peplowski D12/169
D911,230 S * 2/2021 Wietzychowski D12/169
D927,373 S * 8/2021 Lim D12/169
D931,161 S * 9/2021 Forrest D12/169
D931,162 S * 9/2021 Forrest D12/169
D938,867 S * 12/2021 Becker D12/169
D945,937 S * 3/2022 Cho D12/169
D955,306 S * 6/2022 Oh D12/169
D955,943 S * 6/2022 Oh D12/169
D959,343 S * 8/2022 Choi D12/169

* cited by examiner

Primary Examiner — Melody N Brown
(74) *Attorney, Agent, or Firm* — Fox Rothschild LLP

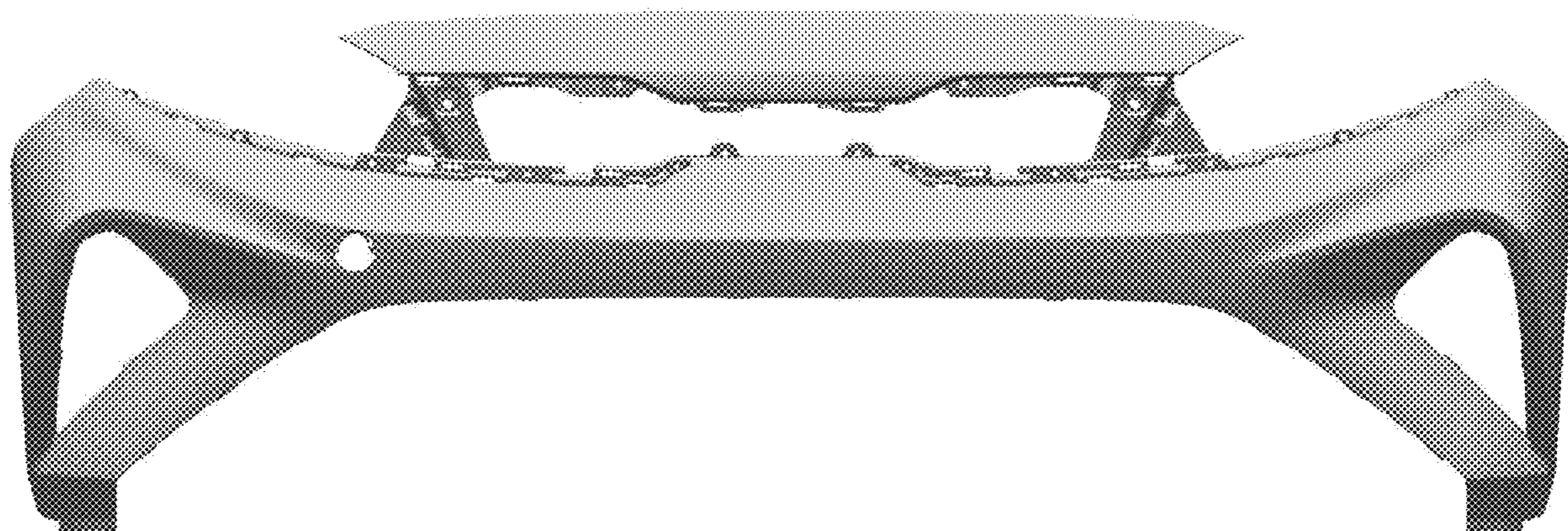
(57) **CLAIM**

The ornamental design for a front bumper cover for vehicles,
as shown and described.

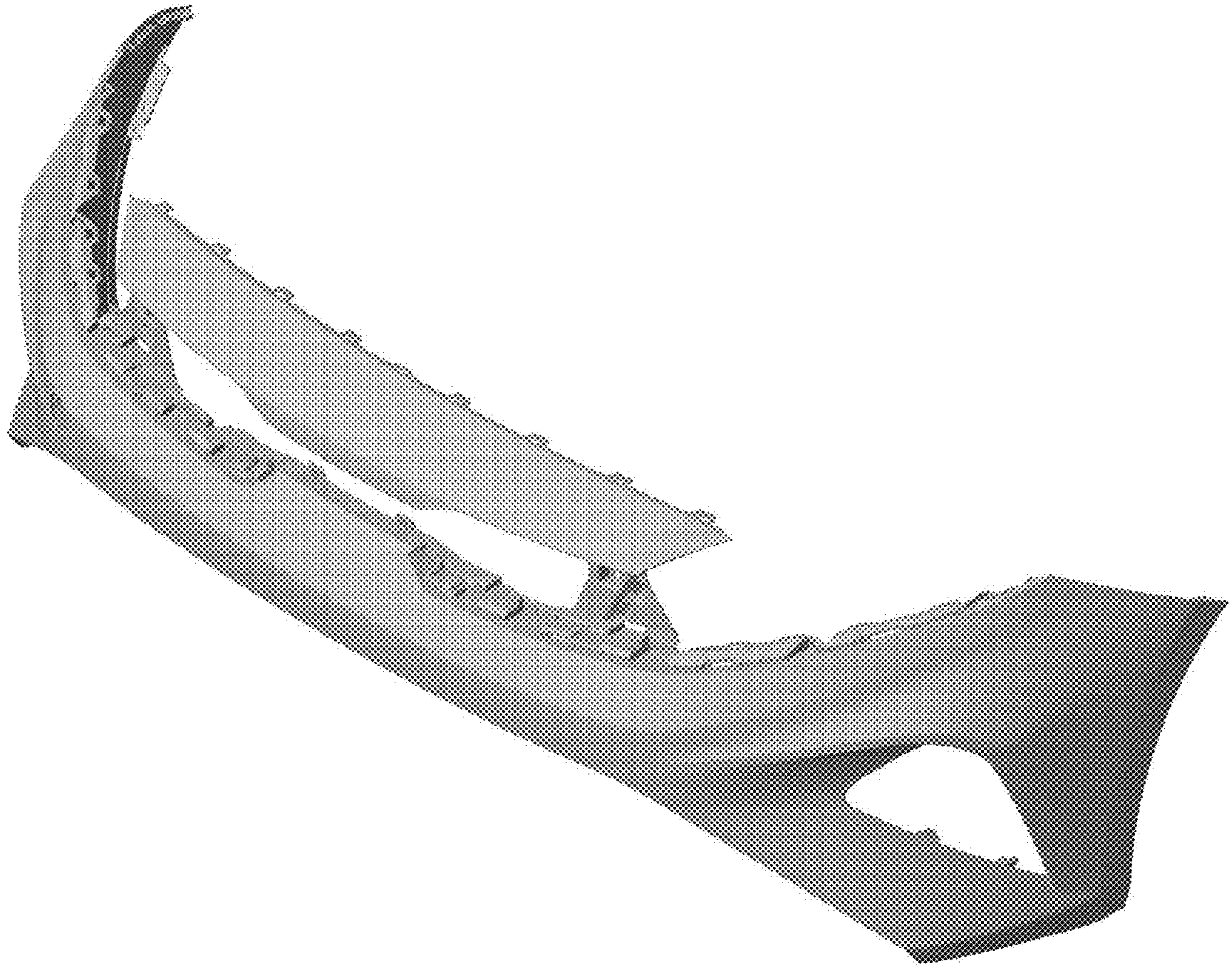
DESCRIPTION

1. Front bumper cover for vehicles
1.1 is a top, front and left side perspective view of a front bumper cover for vehicles showing our new design;
1.2 is a front elevation view thereof;
1.3 is a top, rear and right side perspective view thereof;
1.4 is a right side elevation view thereof;
1.5 is a left side elevation view thereof;
1.6 is a top plan view thereof;
1.7 is a bottom plan view thereof; and,
1.8 is a top, rear and right side perspective view thereof.

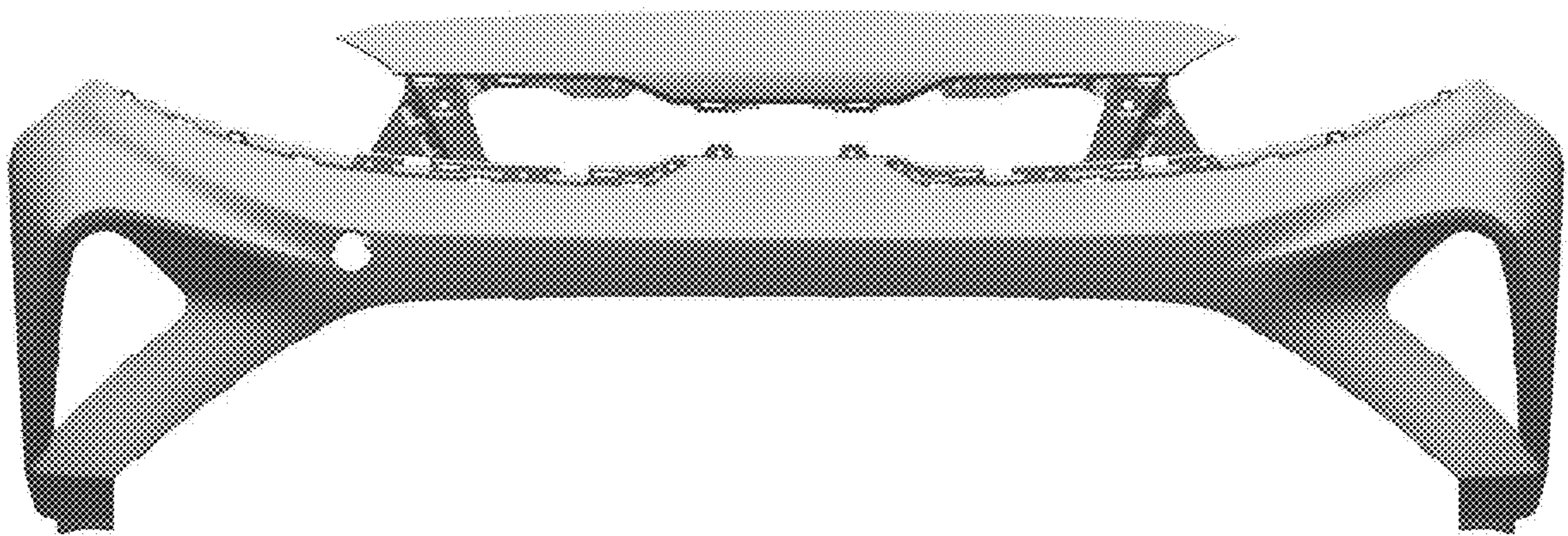
1 Claim, 8 Drawing Sheets



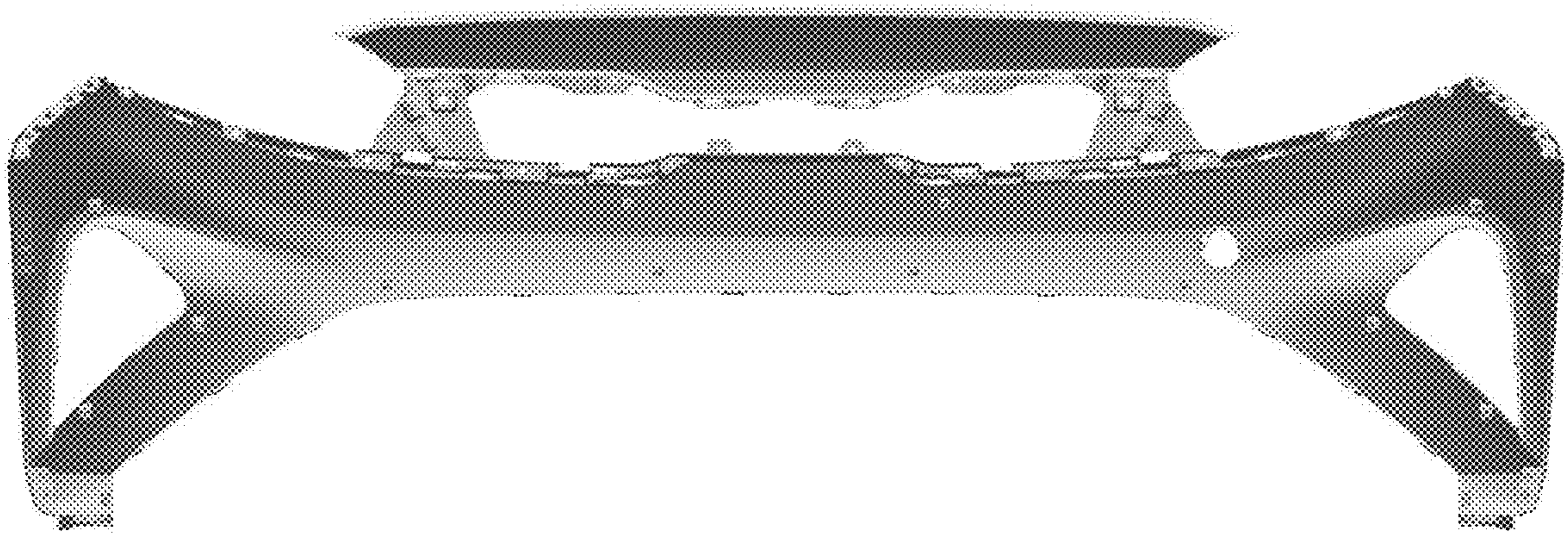
1.1



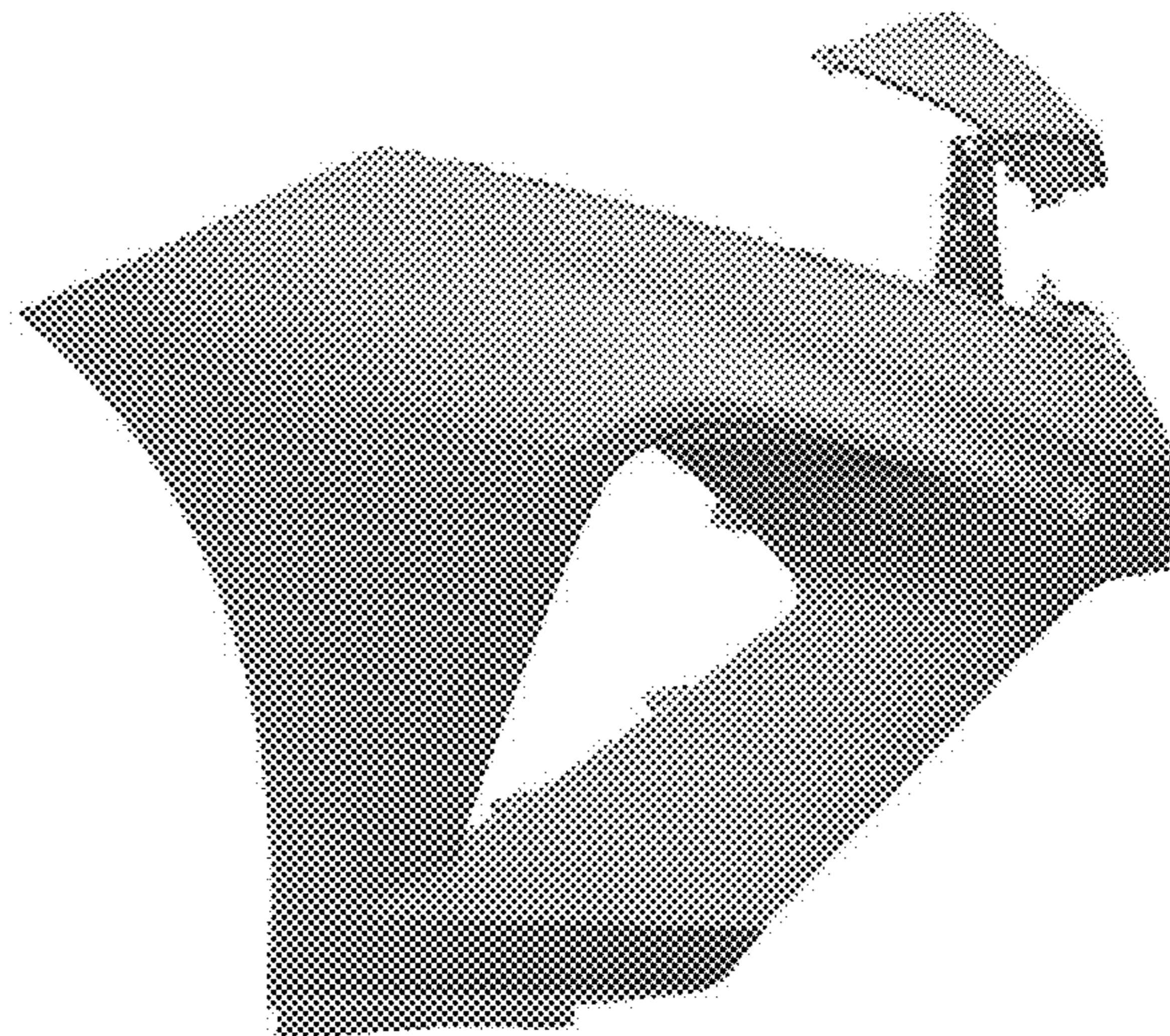
1.2



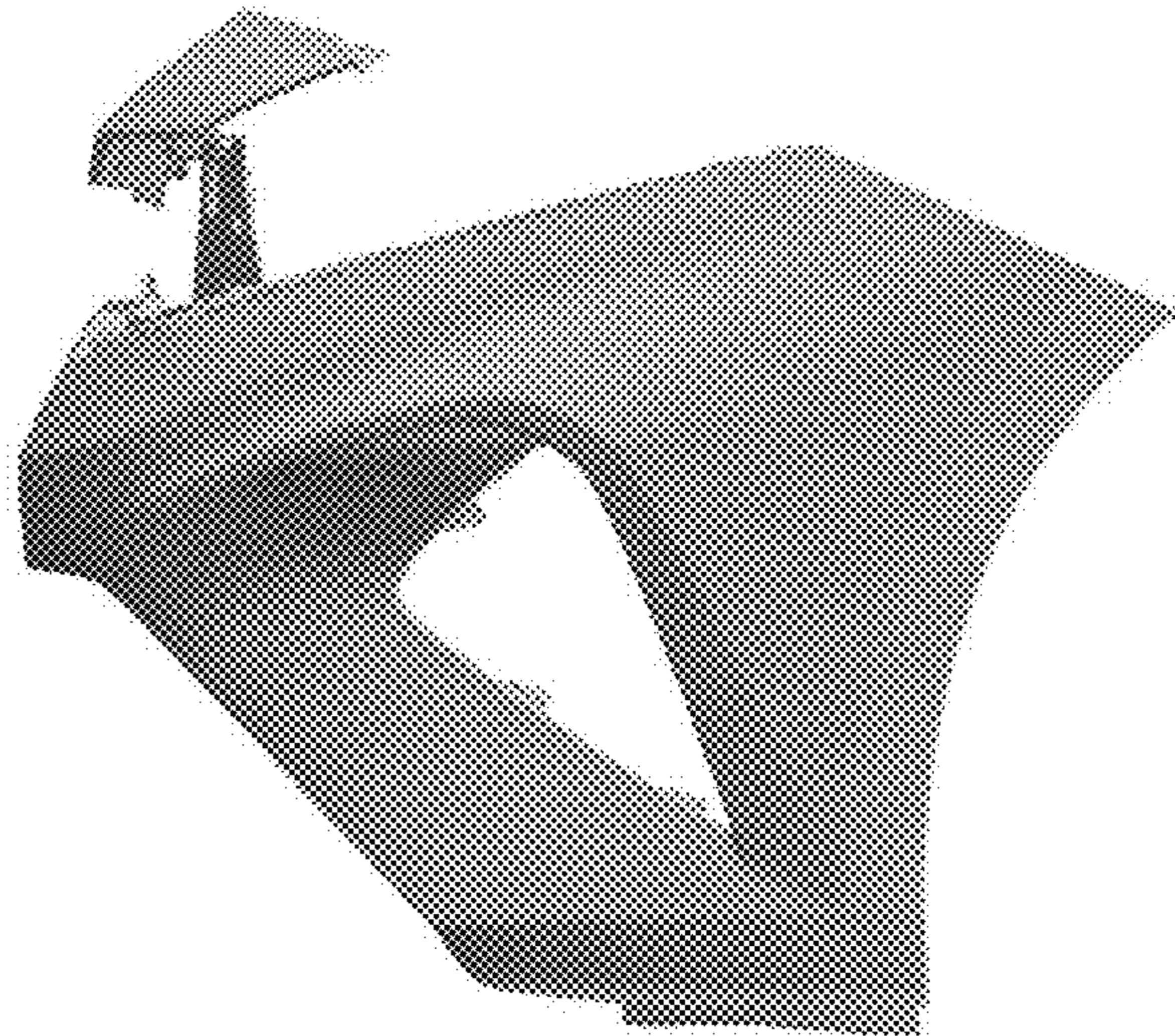
1.3



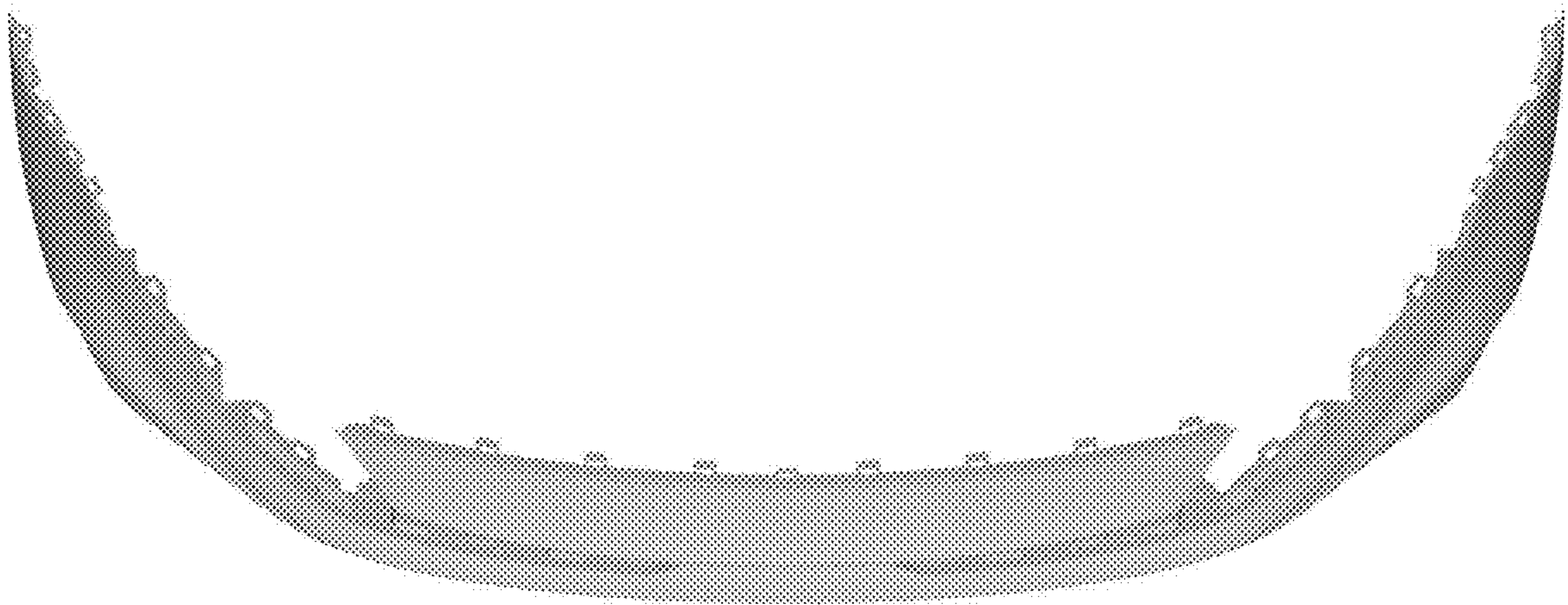
1.4



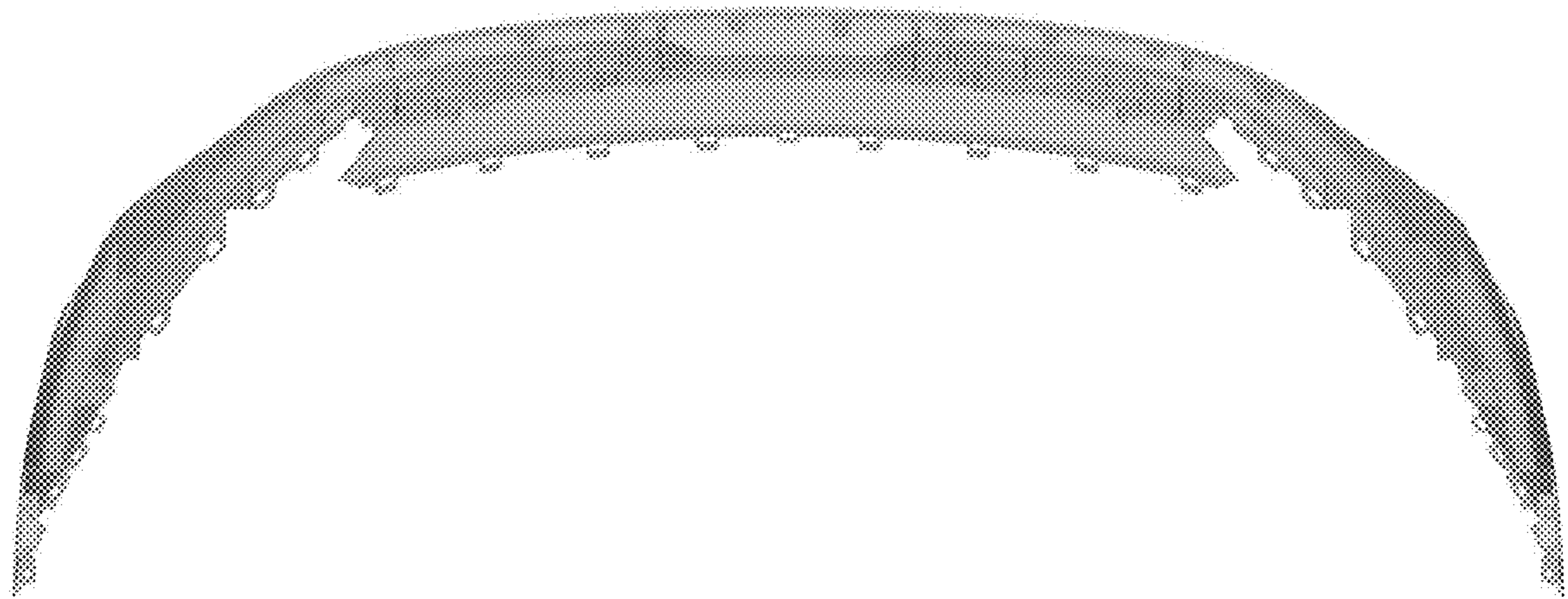
1.5



1.6



1.7



1.8

