



US00D973560S

(12) **United States Design Patent** (10) **Patent No.:** **US D973,560 S**
Beckles (45) **Date of Patent:** **** Dec. 27, 2022**

(54) **REAR BUMPER**

FOREIGN PATENT DOCUMENTS

(71) Applicant: **Jaguar Land Rover Limited**, Whitley
Coventry (GB)

CN 303604684 * 3/2016
EM 002528109-0002 * 5/2016

(Continued)

(72) Inventor: **Earl Beckles**, Whitley Coventry (GB)

Primary Examiner — Leanne Was-Englehart

(73) Assignee: **Jaguar Land Rover Limited**, Whitley
Coventry (GB)

(74) *Attorney, Agent, or Firm* — Wood Herron & Evans
LLP

(**) Term: **15 Years**

(21) Appl. No.: **29/778,240**

(57) **CLAIM**

(22) Filed: **Apr. 12, 2021**

The ornamental design for a rear bumper, as shown and
described.

Related U.S. Application Data

(62) Division of application No. 29/698,612, filed on Jul.
18, 2019, now Pat. No. Des. 915,954, which is a
(Continued)

DESCRIPTION

(30) **Foreign Application Priority Data**

Mar. 16, 2017 (EM) 003802479-0001
Mar. 16, 2017 (EM) 003802479-0002
Mar. 16, 2017 (EM) 003802479-0003

FIG. 1 is a front right perspective view of a rear bumper
according to the present invention.

FIG. 2 is a front left perspective view of the rear bumper
shown in FIG. 1.

FIG. 3 is a rear right perspective view thereof.

FIG. 4 is a rear left perspective view thereof.

FIG. 5 is a front view thereof.

FIG. 6 is a rear view thereof.

FIG. 7 is a right side view thereof.

FIG. 8 is a left side view thereof.

FIG. 9 is a top view thereof.

FIG. 10 is a bottom view thereof; and,

FIG. 11 is a front right perspective view of the rear bumper
shown in FIGS. 1-10, but with the rear bumper mounted on
a vehicle that is shown in de-emphasized and half-tone
portions so as to illustrate environmental structure. These
portions form no part of the claimed design. More particu-
larly, in FIG. 11, the inventive rear bumper is shown within
the broken line, and any elements shown outside the broken
line form no part of the claimed design, but are instead
included to show environmental aspects thereof.

(51) **LOC (13) Cl.** **12-16**

(52) **U.S. Cl.**
USPC **D12/169**

(58) **Field of Classification Search**
USPC D12/86, 163, 164, 167, 169-172, 216;
D21/424, 427, 433, 483, 533, 548
CPC B60R 19/02; B60R 19/04; B60R 19/18;
B60R 19/24; B60R 19/26; B60R 19/52;
B62D 25/08; B60K 11/08
See application file for complete search history.

(56) **References Cited**

U.S. PATENT DOCUMENTS

D680,479 S * 4/2013 Frei D12/169
D784,864 S * 4/2017 Patel D12/169

(Continued)

1 Claim, 11 Drawing Sheets



Related U.S. Application Data

division of application No. 29/615,608, filed on Aug.
30, 2017, now Pat. No. Des. 860,074.

(56)

References Cited

U.S. PATENT DOCUMENTS

D784,865 S *	4/2017	Peat	D12/169
D797,615 S *	9/2017	Hatton	D12/169
D808,871 S *	1/2018	Peat	D12/169
D813,114 S *	3/2018	Zurian	D12/169
D824,298 S *	7/2018	Cartabiano	D12/169
D833,343 S *	11/2018	Patel	D12/169
D834,472 S *	11/2018	Peat	D12/169
D838,638 S *	1/2019	Wada	D12/169
D839,144 S *	1/2019	Beckles	D12/164
D856,215 S *	8/2019	Peat	D12/169
D856,865 S *	8/2019	Hatton	D12/169
D860,074 S *	9/2019	Beckles	D12/169

FOREIGN PATENT DOCUMENTS

EM	002656330-0006	*	6/2017
GB	9002611020-0002	*	1/2015
GB	9002656330-0006	*	3/2015

* cited by examiner

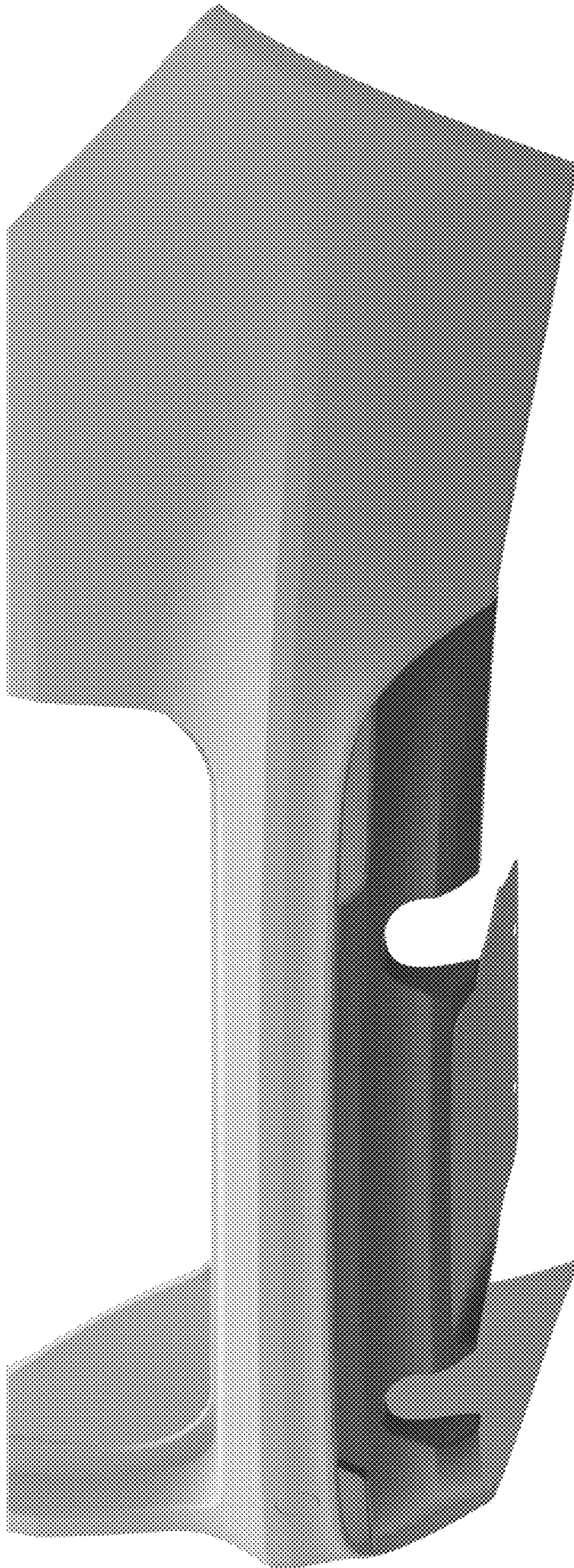


FIG. 1

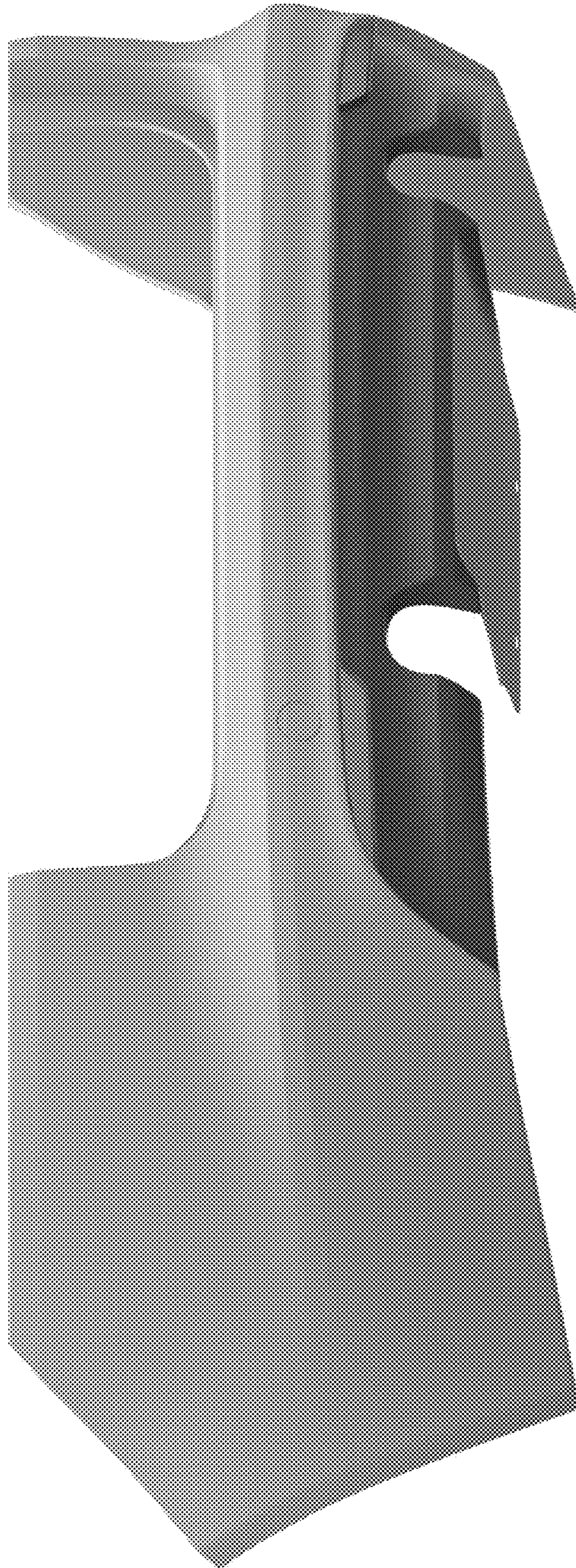


FIG. 2

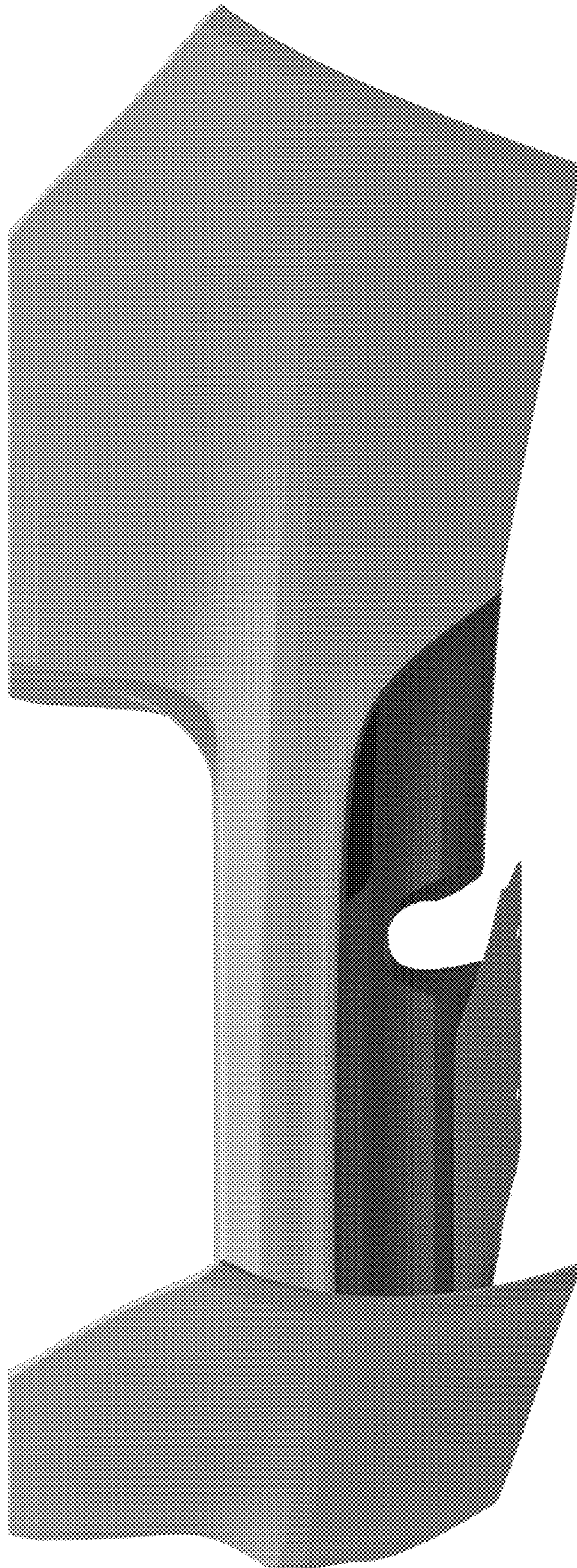


FIG. 3

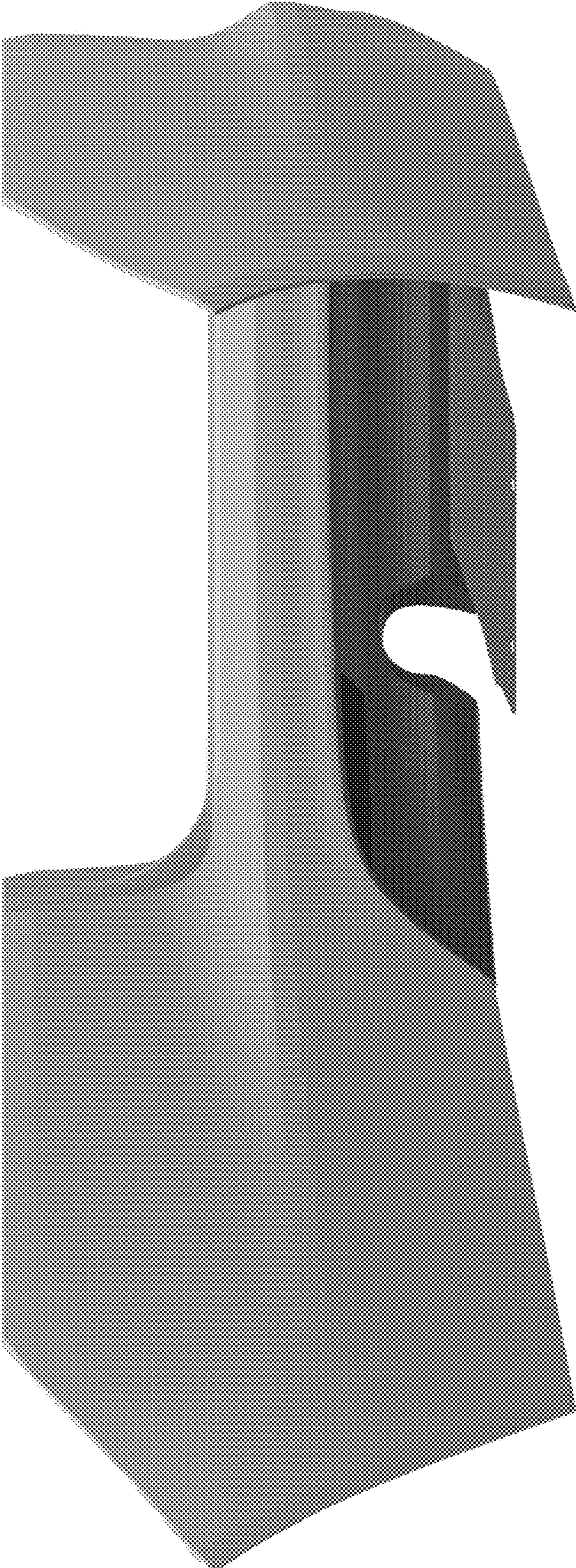


FIG. 4

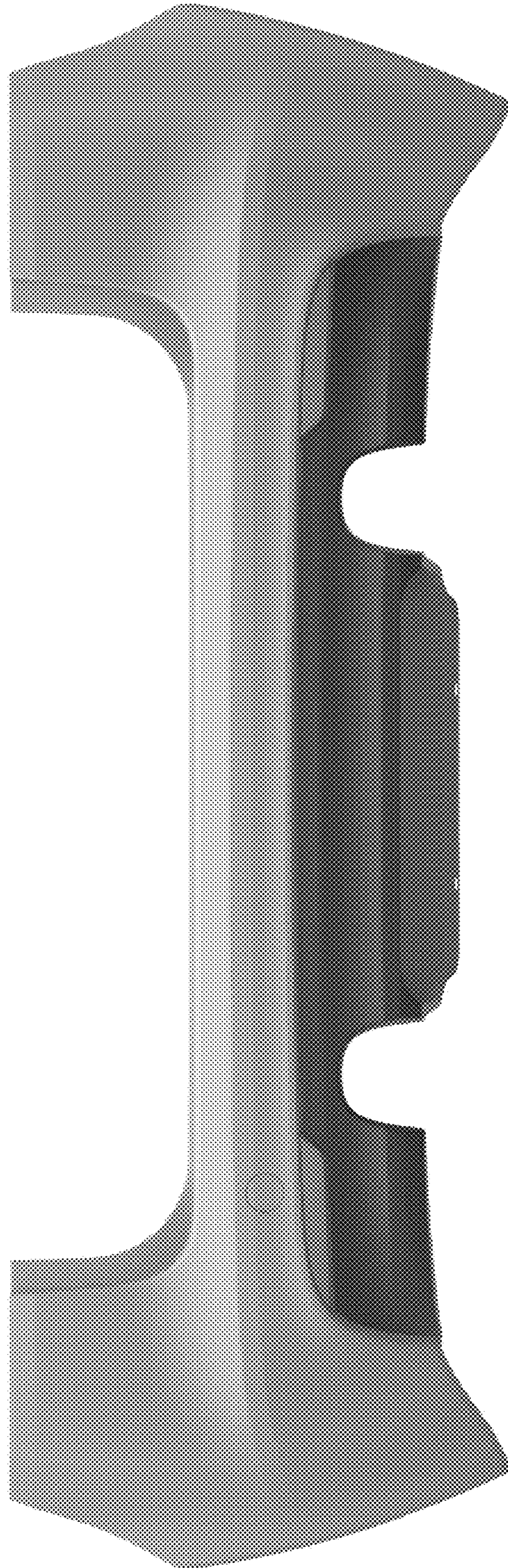


FIG. 5

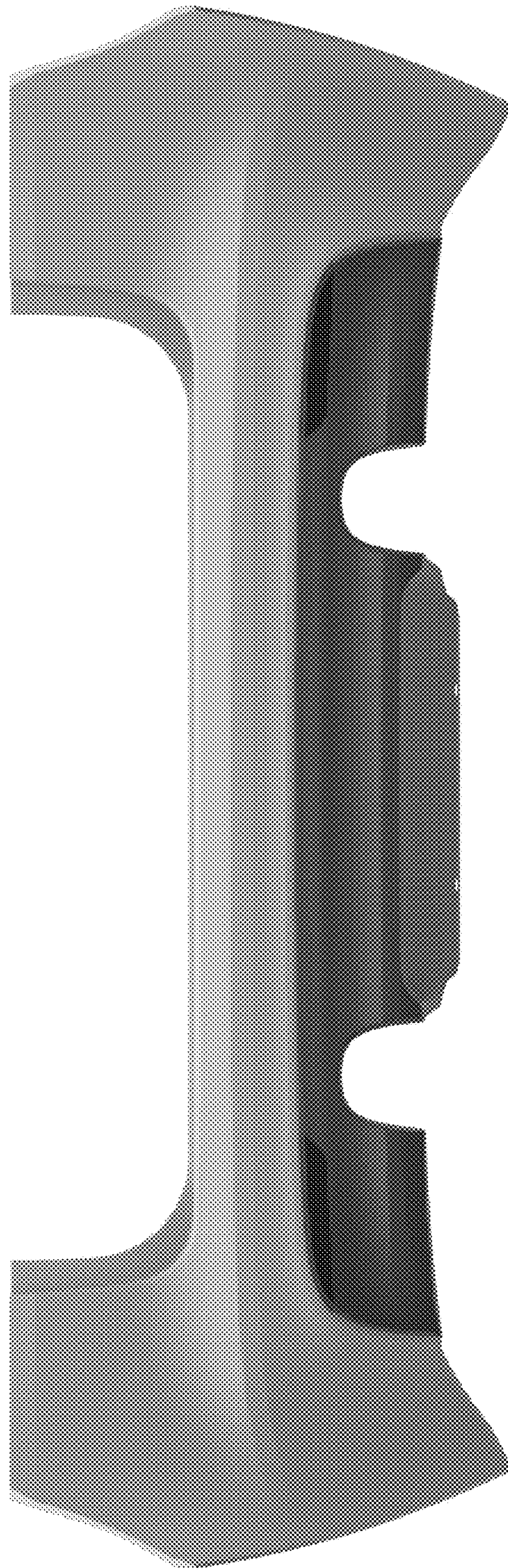


FIG. 6

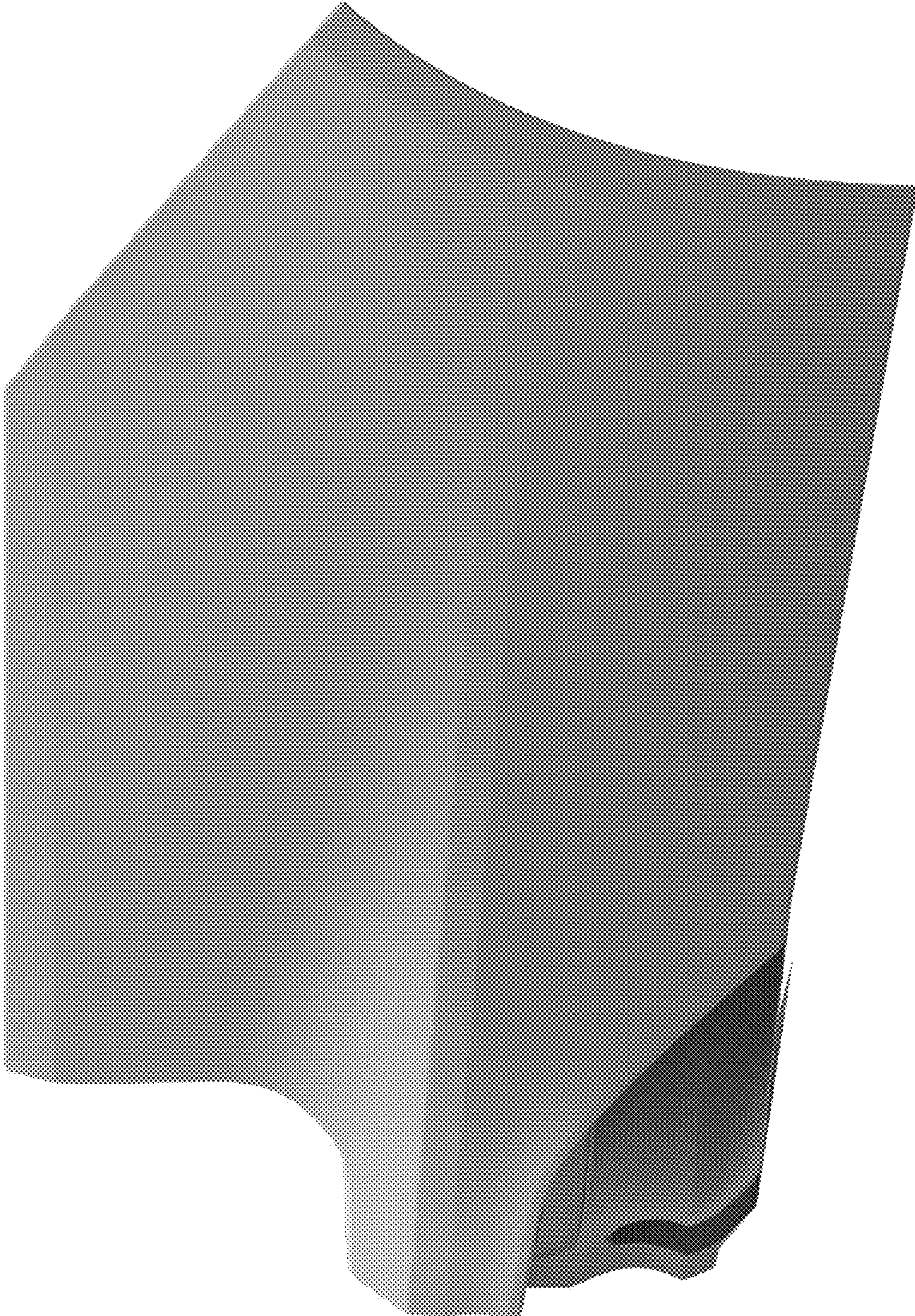


FIG. 7

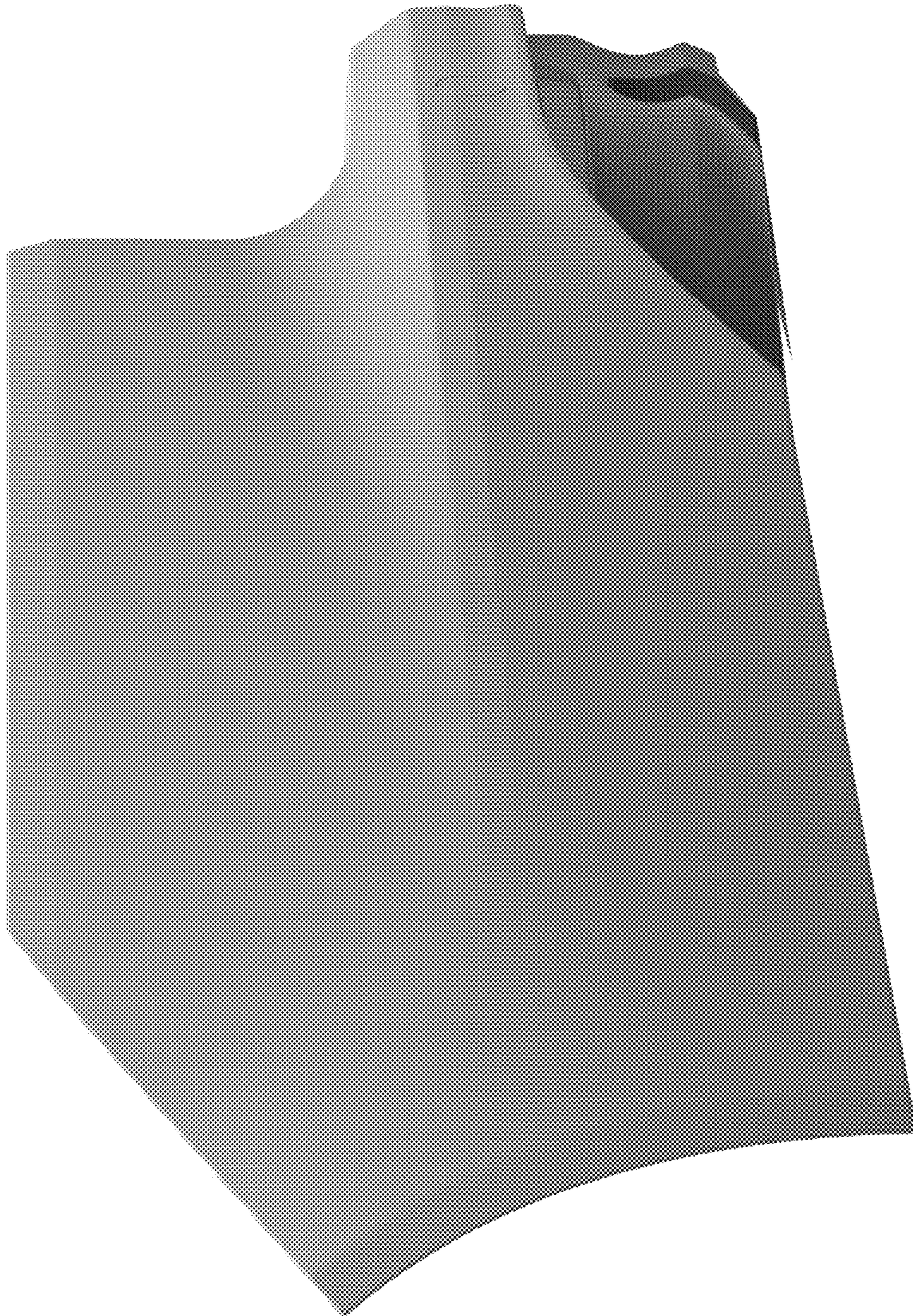


FIG. 8

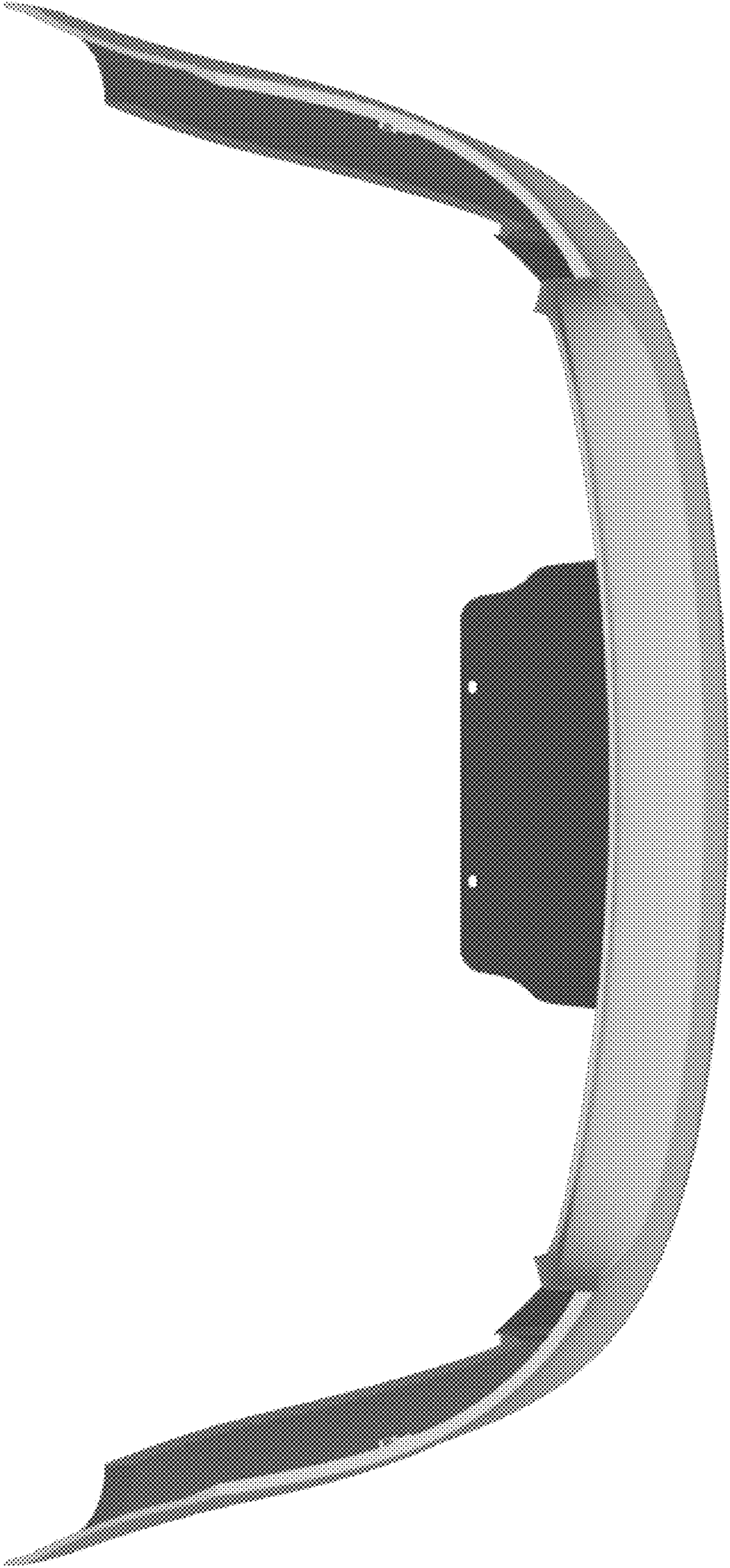


FIG. 9



FIG. 10

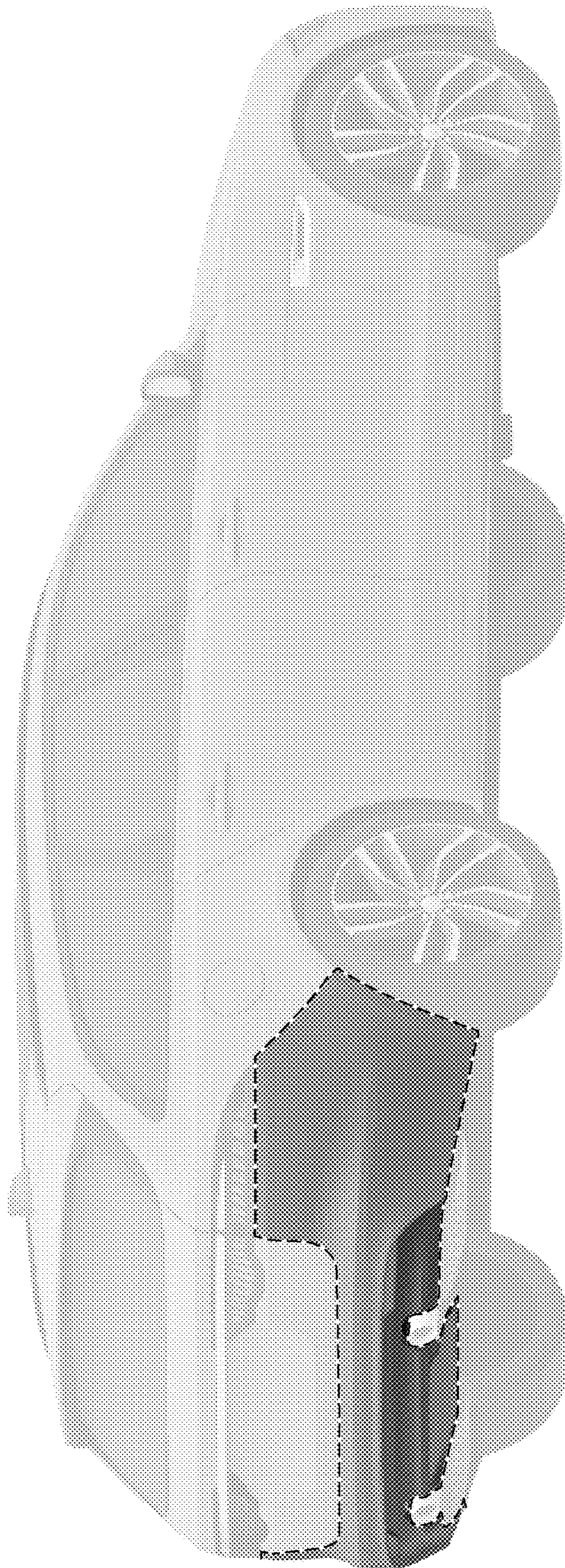


FIG. 11