

US00D973556S

(12) **United States Design Patent**  
**Stoffel et al.**

(10) **Patent No.:** **US D973,556 S**

(45) **Date of Patent:** **\*\* Dec. 27, 2022**

(54) **GRILLE UNIT**

(71) Applicant: **Zoox, Inc.**, Foster City, CA (US)

(72) Inventors: **Christopher John Stoffel**, San Carlos, CA (US); **Christi Clebald Earl**, Foster City, CA (US); **Alexander Kraus**, San Mateo, CA (US); **Andrew David Rudd**, San Jose, CA (US)

(73) Assignee: **Zoox, Inc.**, Foster City, CA (US)

(\*\*) Term: **15 Years**

(21) Appl. No.: **29/772,574**

(22) Filed: **Mar. 2, 2021**

(51) **LOC (13) Cl.** ..... **12-16**

(52) **U.S. Cl.**  
USPC ..... **D12/163**

(58) **Field of Classification Search**  
USPC ..... D12/169, 196, 86, 90-92, 163, 190, 98,  
D12/164, 84, 100; 293/102, 113, 115,  
293/117, 120, 193.11; 296/180.1, 180.2;  
180/68.1, 68.6  
CPC ..... B60R 19/52; B60K 11/08; B62D 25/08;  
B62B 9/16  
See application file for complete search history.

(56) **References Cited**

**U.S. PATENT DOCUMENTS**

D876,556 S \* 2/2020 Barajas ..... D12/163  
D907,538 S \* 1/2021 Gittin, Jr. .... D12/163

D909,260 S \* 2/2021 De Rudnicki ..... D12/163  
D924,726 S \* 7/2021 Kentley-Klay ..... D12/84  
D924,727 S \* 7/2021 Kentley-Klay ..... D12/84  
D925,409 S \* 7/2021 Sahara ..... D12/163  
D931,767 S \* 9/2021 Kentley-Klay ..... D12/163  
D934,745 S \* 11/2021 Kentley-Klay ..... D12/163  
D944,131 S \* 2/2022 Ponomarenko ..... D12/163

\* cited by examiner

*Primary Examiner* — Melody N Brown

(74) *Attorney, Agent, or Firm* — Lee & Hayes, P.C.

(57) **CLAIM**

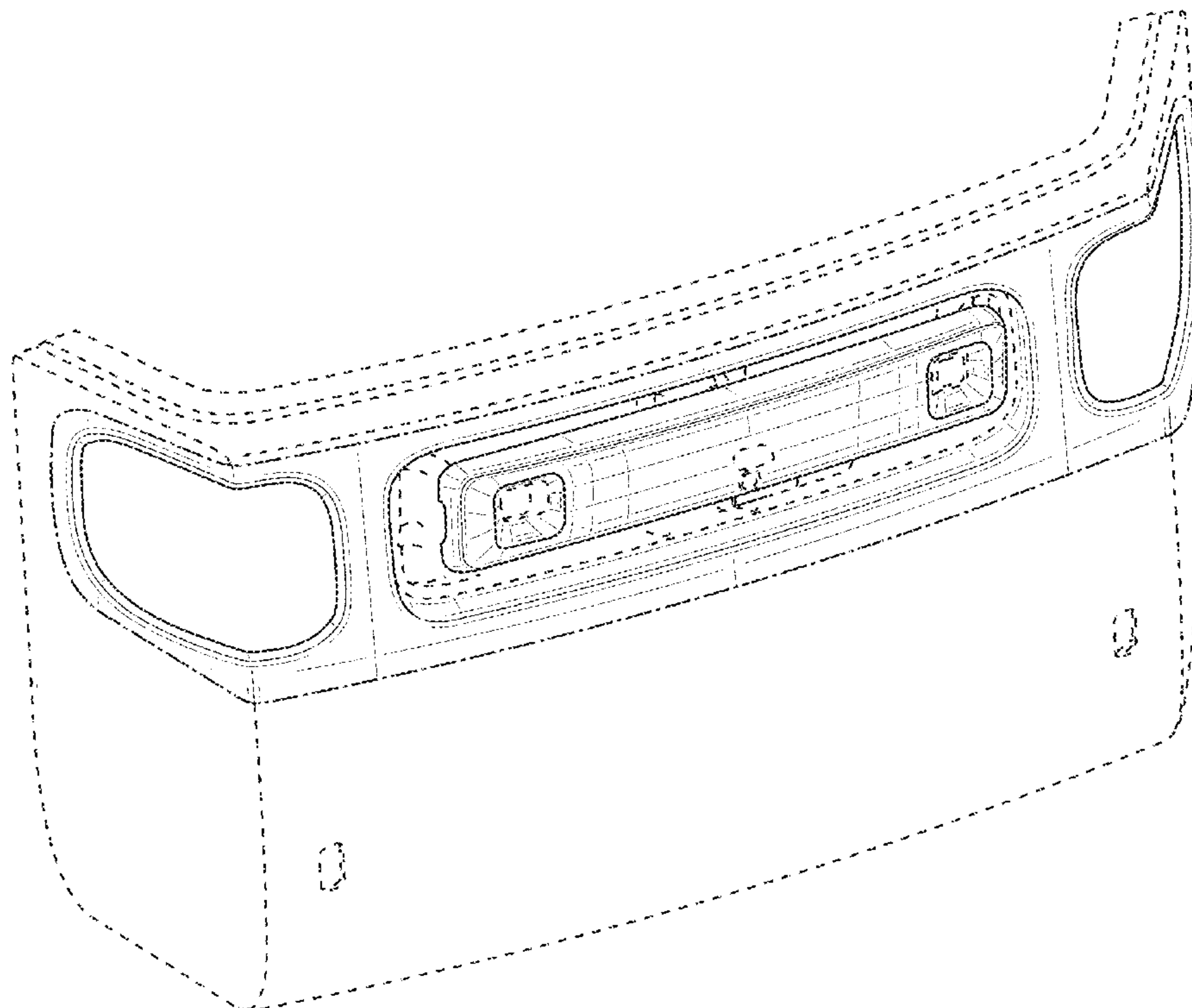
The ornamental design for a grille unit, as shown and described.

**DESCRIPTION**

FIG. 1 is a front and left side perspective view of a grille unit showing our new design;  
FIG. 2 is a front elevational view thereof;  
FIG. 3 is a rear elevational view thereof;  
FIG. 4 is a left side elevational view thereof;  
FIG. 5 is a right side elevational view thereof;  
FIG. 6 is a top plan view thereof; and,  
FIG. 7 is a bottom plan view thereof.

The portions of the grille unit shown in broken lines are for environmental and illustrative purposes and form no part of the claimed design. The dot-dashed broken lines represent boundaries of the grille unit and form no part of the claimed design.

**1 Claim, 7 Drawing Sheets**



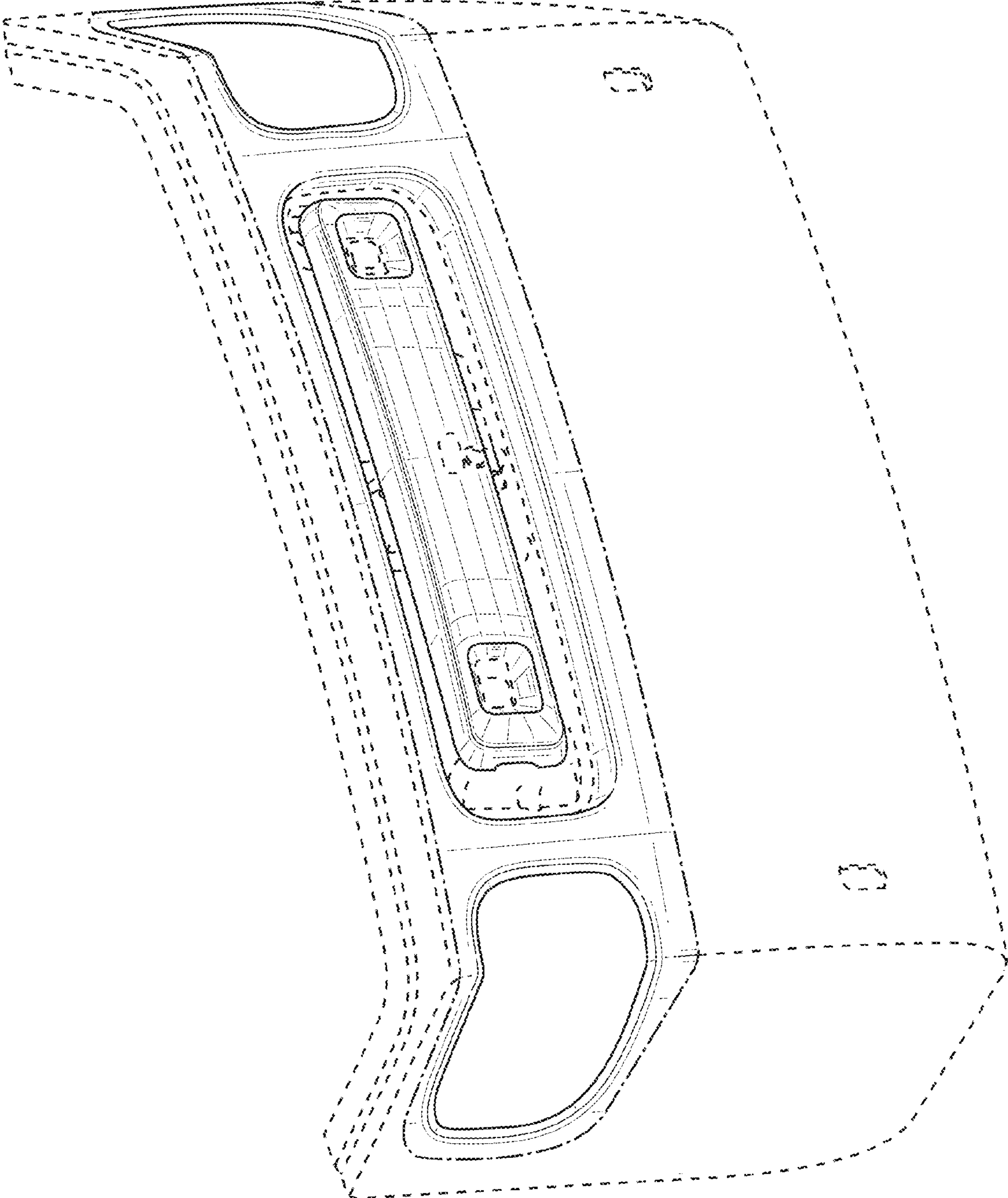


FIG. 1

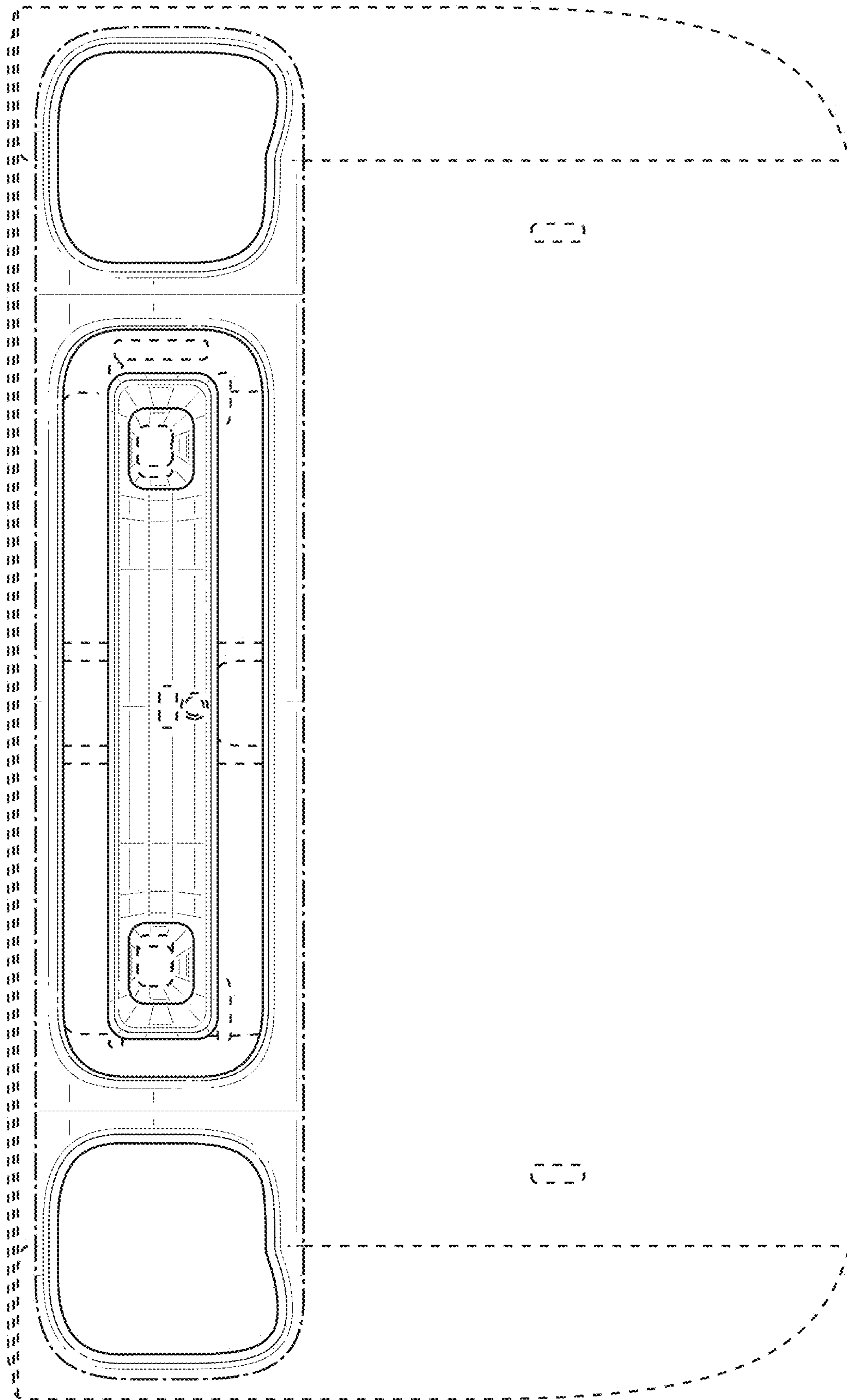


FIG. 2

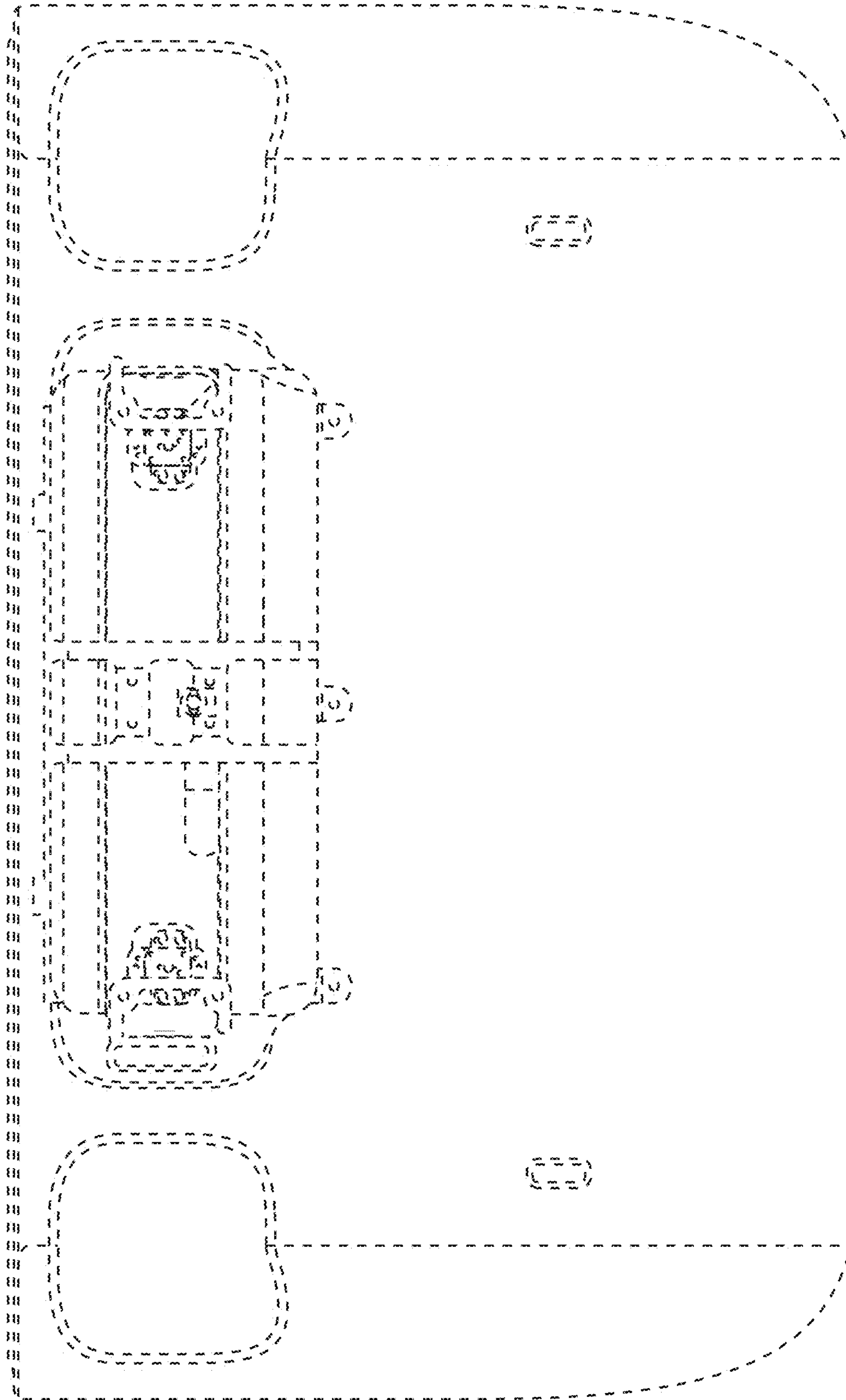


FIG. 3



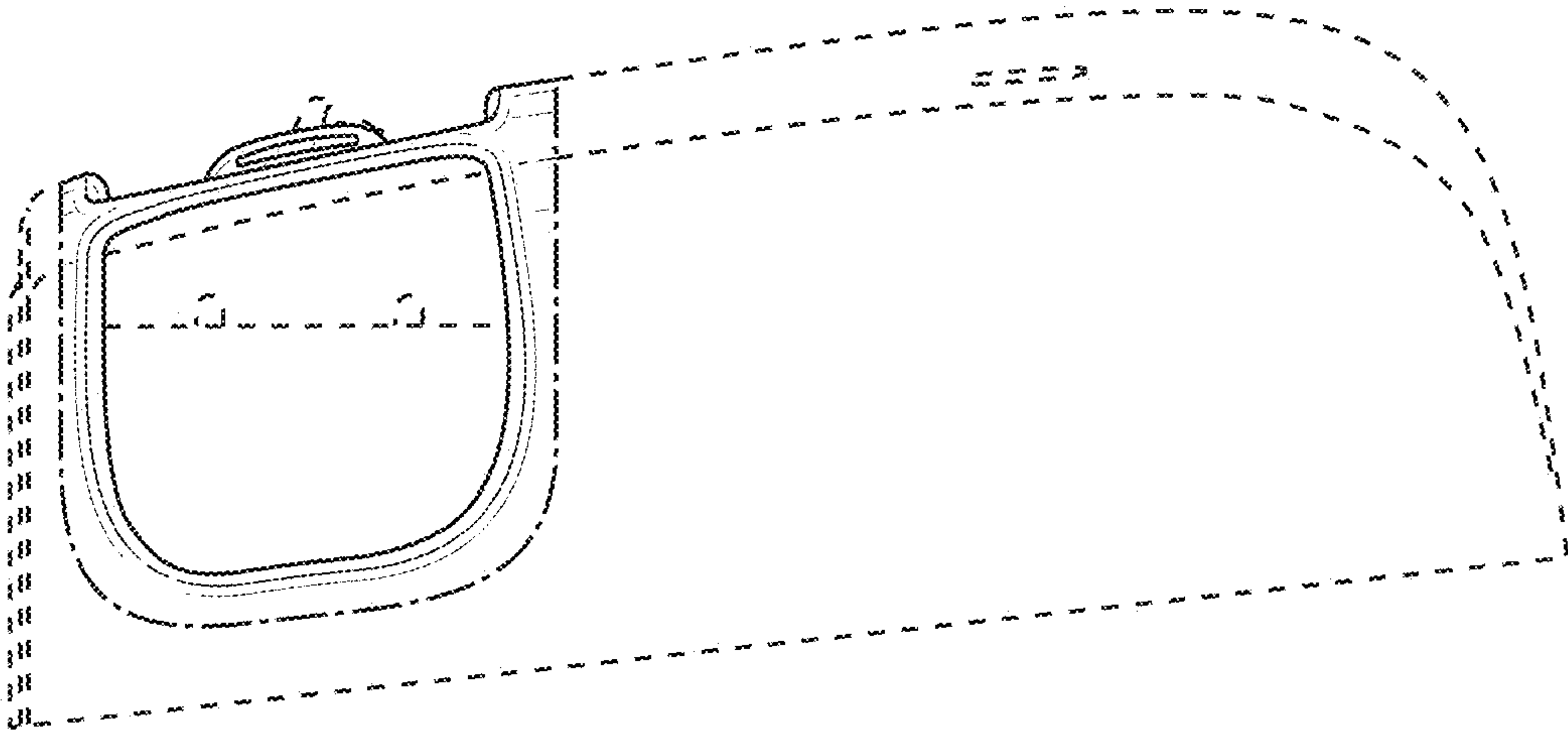


FIG. 4

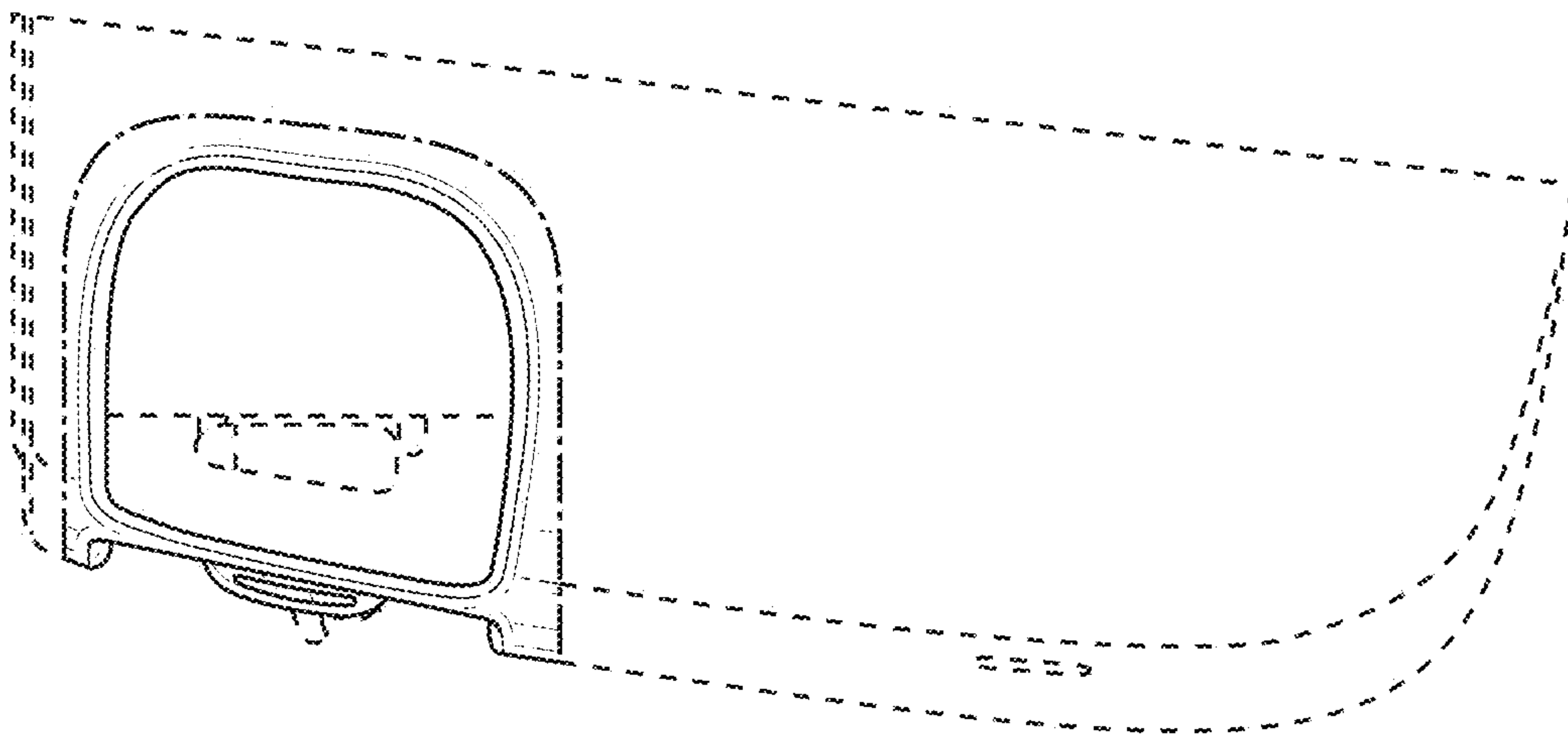


FIG. 5

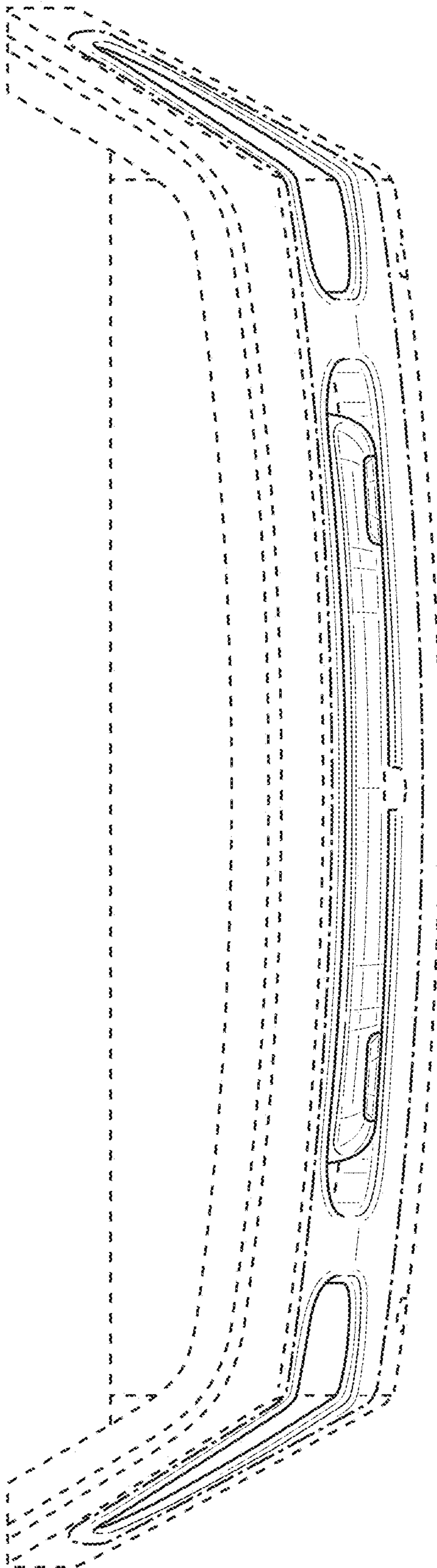


FIG. 6

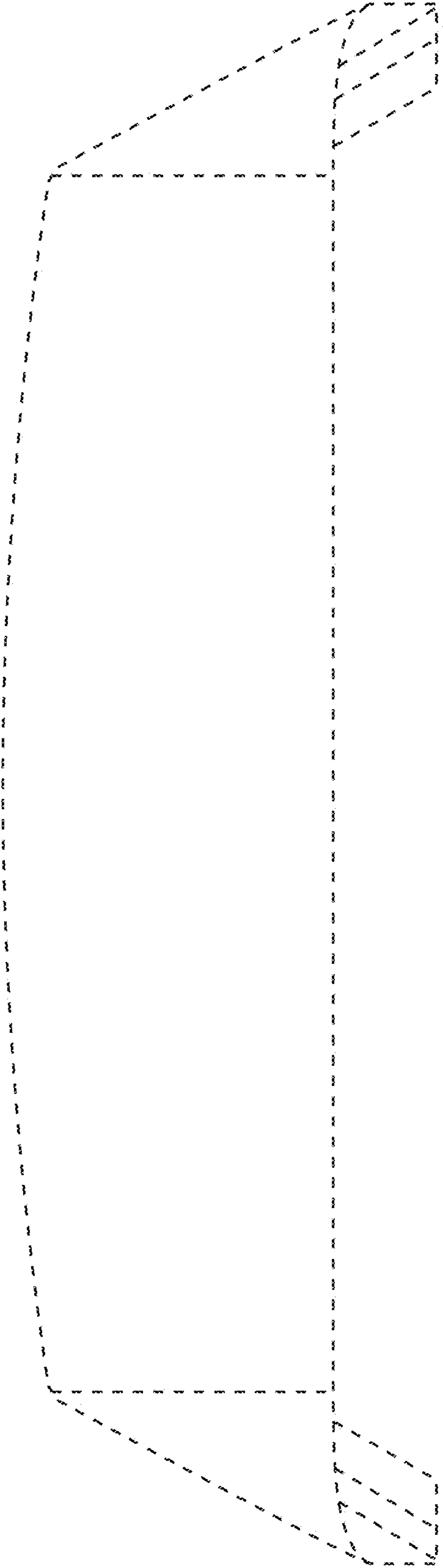


FIG. 7