



US00D973555S

(12) **United States Design Patent**  
**Durand**

(10) **Patent No.:** **US D973,555 S**  
(45) **Date of Patent:** **\*\* Dec. 27, 2022**

- (54) **VEHICLE STEERING LINKAGE COMPONENT**
- (71) Applicant: **Kryptonite Products Inc.**, Carson City, NV (US)
- (72) Inventor: **Michael Durand**, Gardnerville, NV (US)
- (73) Assignee: **Kryptonite Products Inc.**, Carson City, NV (US)

- 2,614,862 A \* 10/1952 Alldredge ..... F16C 11/06  
280/93.508
- 2,761,694 A \* 9/1956 Graham ..... B62D 7/16  
280/93.51
- 2,771,300 A \* 11/1956 Latzen ..... F16C 11/0619  
280/93.508
- 2,797,929 A \* 7/1957 Herbenar ..... F16C 11/04  
280/89.12
- 2,809,049 A \* 10/1957 Carlson ..... B62D 7/16  
280/93.508
- 3,010,733 A \* 11/1961 Melton ..... B62D 7/16  
280/93.508

(Continued)

- (\*\*) Term: **15 Years**
- (21) Appl. No.: **29/801,832**
- (22) Filed: **Jul. 31, 2021**

**Related U.S. Application Data**

- (62) Division of application No. 29/693,335, filed on May 31, 2019, now Pat. No. Des. 926,641.
- (51) **LOC (13) Cl.** ..... **12-16**
- (52) **U.S. Cl.**  
USPC ..... **D12/160**
- (58) **Field of Classification Search**  
USPC ..... D12/159, 174, 175, 176, 177, 190, 223,  
D12/400, 415; D15/138, 148, 199;  
D8/10, 99, 330, 333, 349, 354, 367  
CPC ... B62D 7/00; B62D 7/02; B62D 7/10; B62D  
7/16; B62D 7/18; B60G 17/00; B60G  
21/00; B62K 21/00; B64C 25/50; F16C  
11/0609  
See application file for complete search history.

(56) **References Cited**

**U.S. PATENT DOCUMENTS**

- 2,152,506 A \* 3/1939 Thorne ..... B62D 7/00  
280/124.138
- 2,464,982 A \* 3/1949 Leighton ..... B62D 7/16  
280/93.508

**OTHER PUBLICATIONS**

Kryptonite Death Grip Pitman Arm, Published Jun. 26, 2019 [online], [retrieved on Dec. 2, 2021]. Retrieved from the Internet: <https://www.amazon.com/Kryptonite-Pitman-Compatible-2011-2019-2500HD/dp/B07TNJHF3F> (Year: 2019).\*

*Primary Examiner* — Cary M Robinson

*Assistant Examiner* — Adam C Mager

(74) *Attorney, Agent, or Firm* — Temmerman Law;  
Mathew J. Temmerman

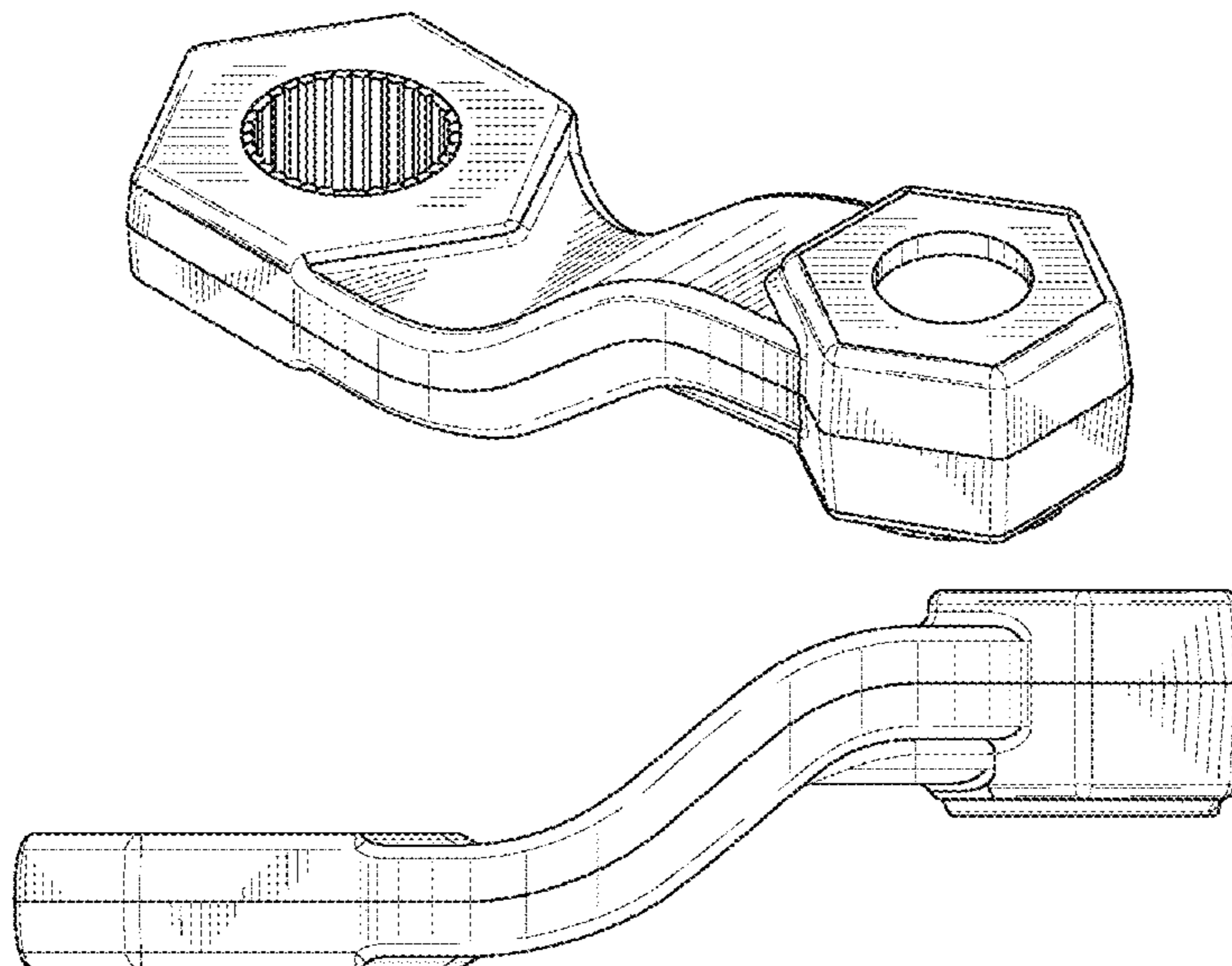
(57) **CLAIM**

I claim the ornamental design for a vehicle steering linkage component, as shown and described.

**DESCRIPTION**

FIG. 1 is an upper perspective view of a vehicle steering linkage component, showing my new design; FIG. 2 is a right side view thereof; FIG. 3 is a front side view thereof; FIG. 4 is a left side view thereof; FIG. 5 is a top side view thereof; FIG. 6 is a back view thereof; FIG. 7 is a bottom view thereof; and, FIG. 8 is a lower perspective view thereof.

**1 Claim, 4 Drawing Sheets**



(56)

**References Cited**

U.S. PATENT DOCUMENTS

3,010,746 A *	11/1961	Melton	.....	B62D 7/16	403/123	3,495,859 A *	2/1970	Hassan	.....	B62D 7/16	403/145
3,028,172 A *	4/1962	Herbenar	.....	B62D 7/16	280/93.508	3,887,211 A *	6/1975	Mazur	.....	B62D 7/16	280/86.758
3,059,950 A *	10/1962	Hedges	.....	F16C 11/0609	403/74	4,327,926 A *	5/1982	Suganuma	.....	B62D 7/16	280/93.511
3,096,844 A *	7/1963	Sittel	.....	B62D 7/00	180/420	4,364,578 A *	12/1982	Ikeda	.....	B62D 7/10	280/93.507
3,112,123 A *	11/1963	True	.....	F16C 11/08	280/93.509	4,471,922 A *	9/1984	Fairclough	.....	B62D 7/02	180/438
3,219,372 A *	11/1965	Herbenar	.....	B62D 7/16	403/7	5,607,249 A *	3/1997	Maughan	.....	B62D 7/16	403/120
3,352,583 A *	11/1967	Patton	.....	B62D 7/16	403/161	D402,617 S *	12/1998	Adams, III	.....	D12/160	
3,411,803 A *	11/1968	Melton	.....	B62D 7/16	280/93.508	D926,641 S *	8/2021	Durand	.....	D12/160	
3,428,345 A *	2/1969	Ryszewski	.....	B62D 7/16	403/165	2003/0137120 A1 *	7/2003	Thompson	.....	F16C 11/06	280/93.511
						2010/0124455 A1 *	5/2010	Zaloga	.....	F16C 11/02	403/144
						2010/0207340 A1 *	8/2010	Elterman	.....	F16C 11/068	280/93.508

\* cited by examiner

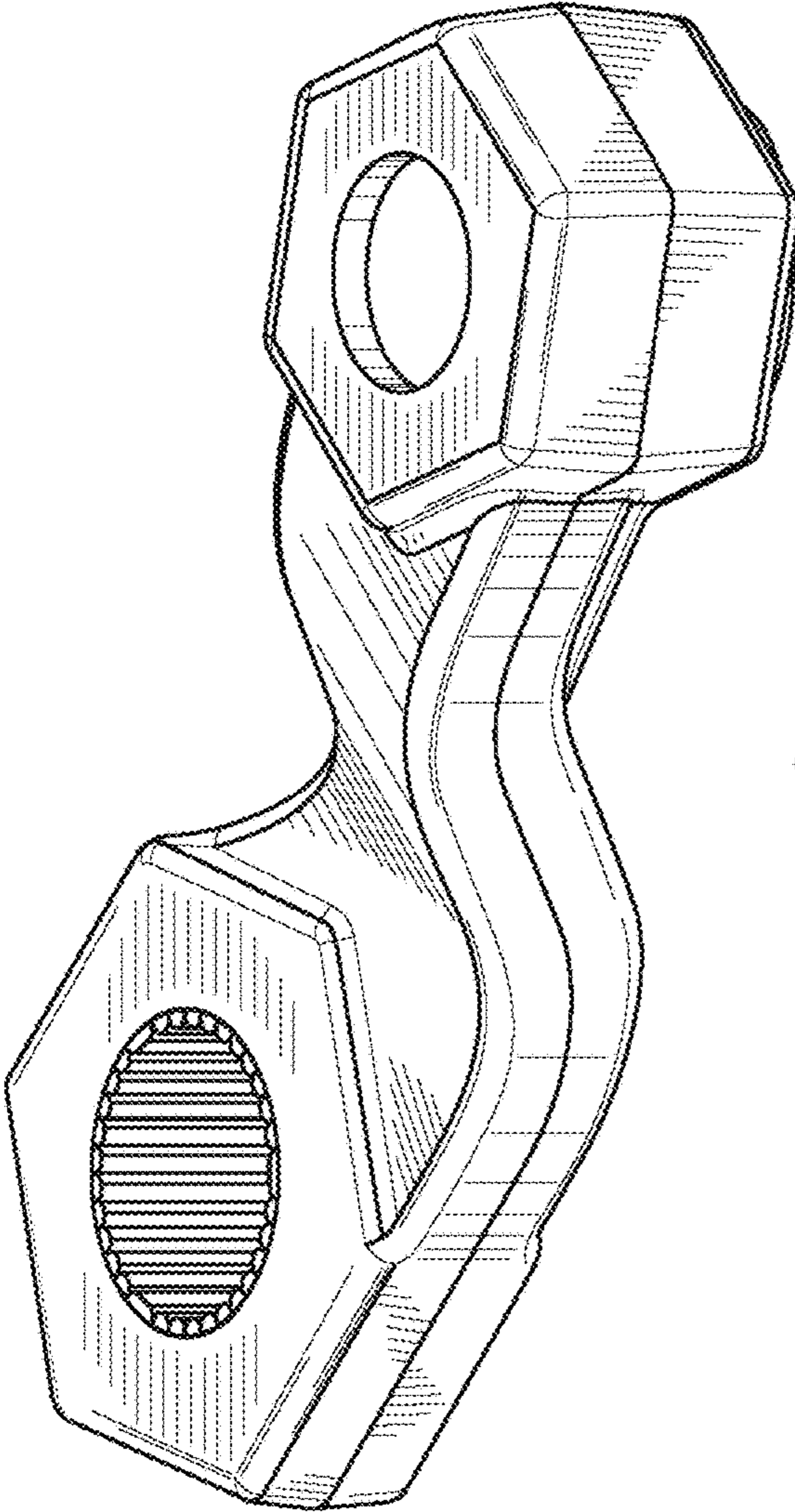


FIG. 1

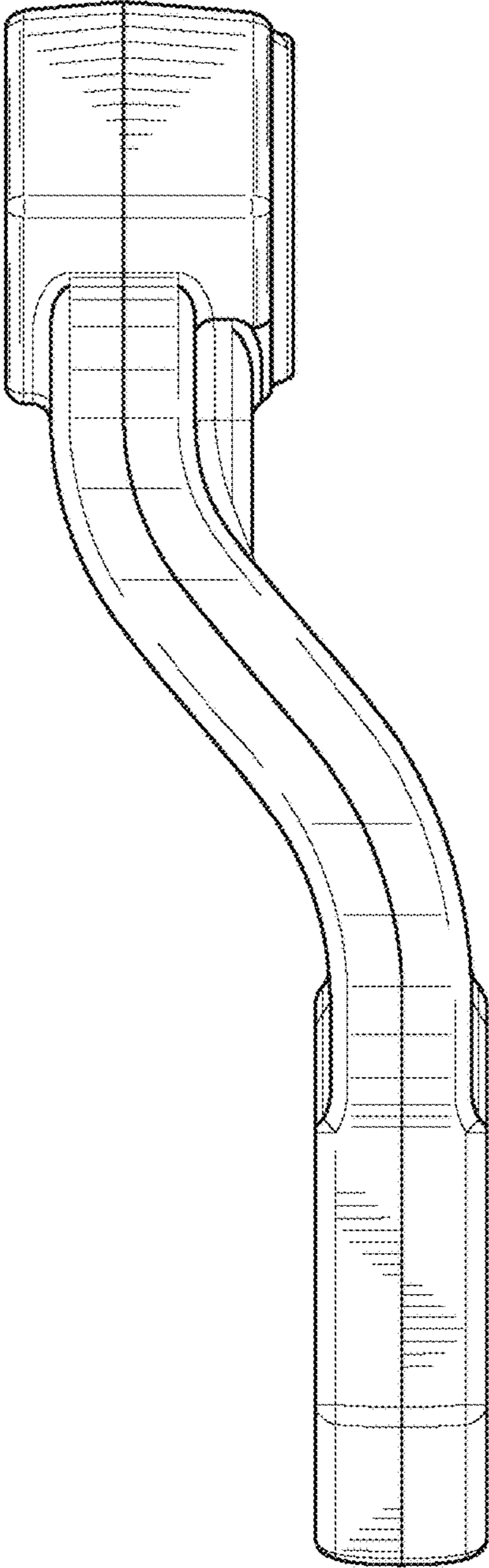


FIG. 2

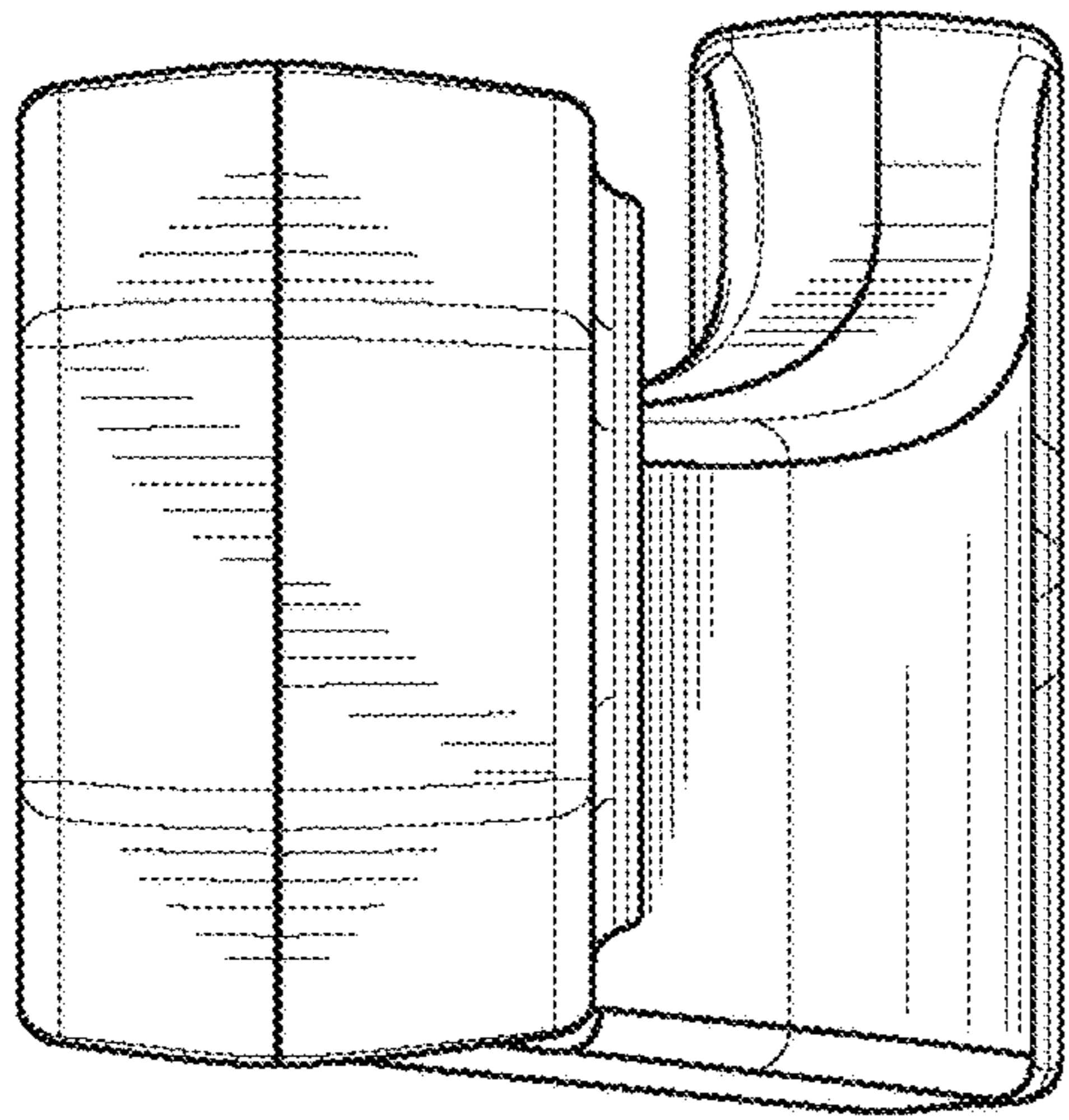


FIG. 3

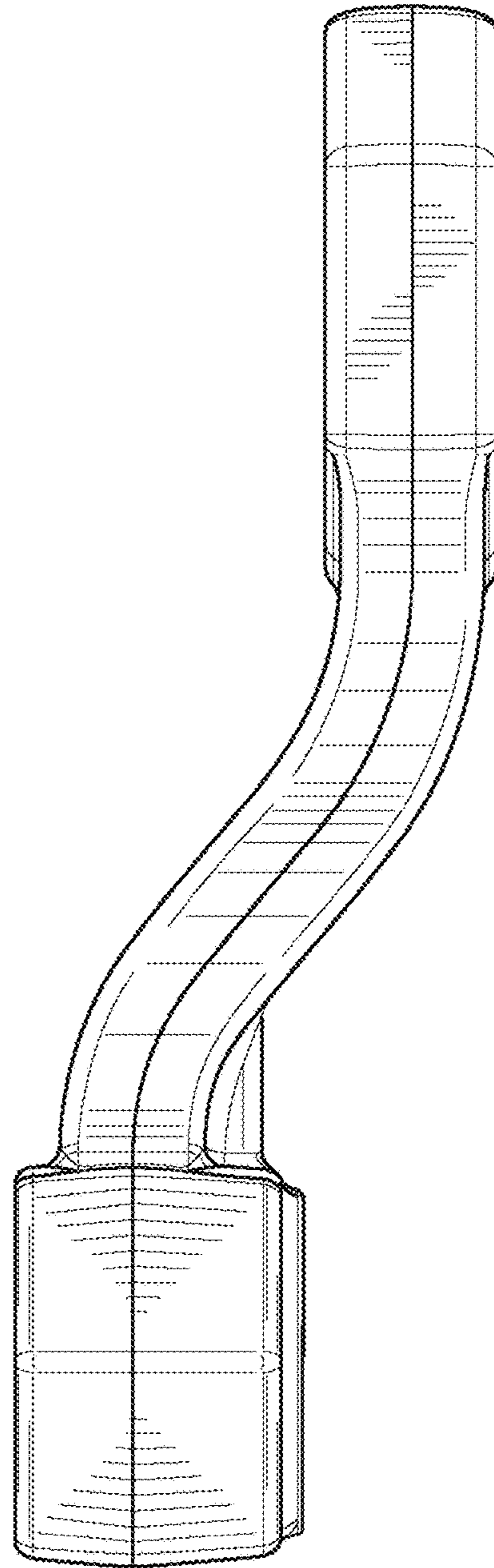


FIG. 4

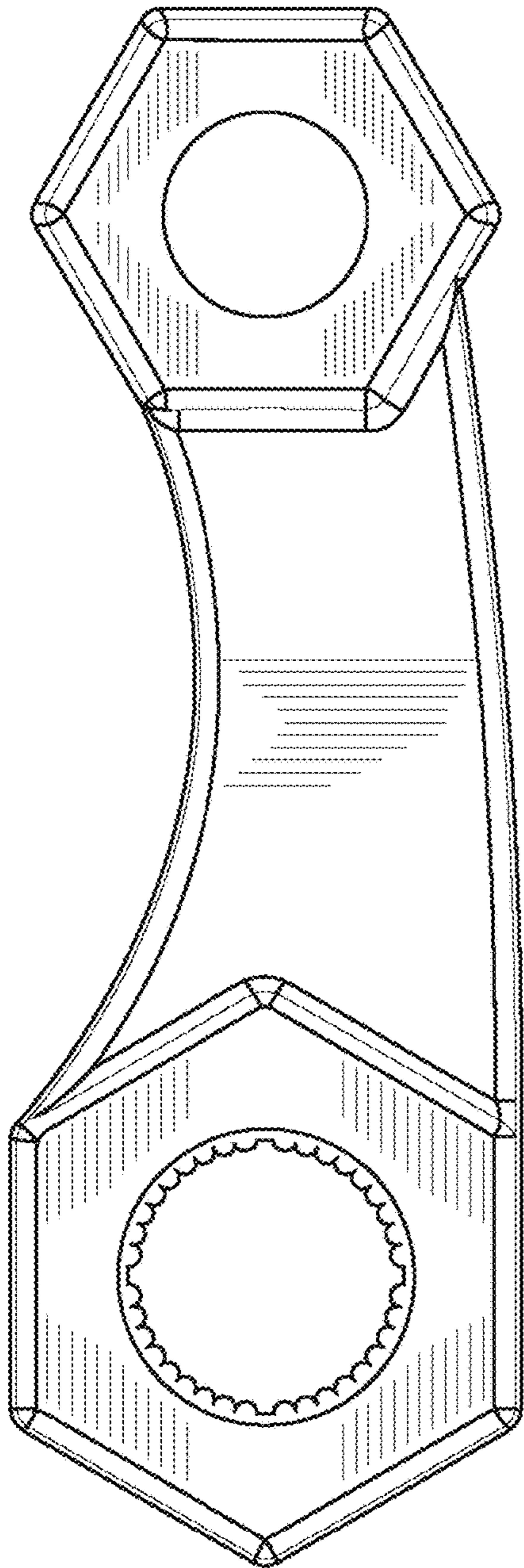


FIG. 5

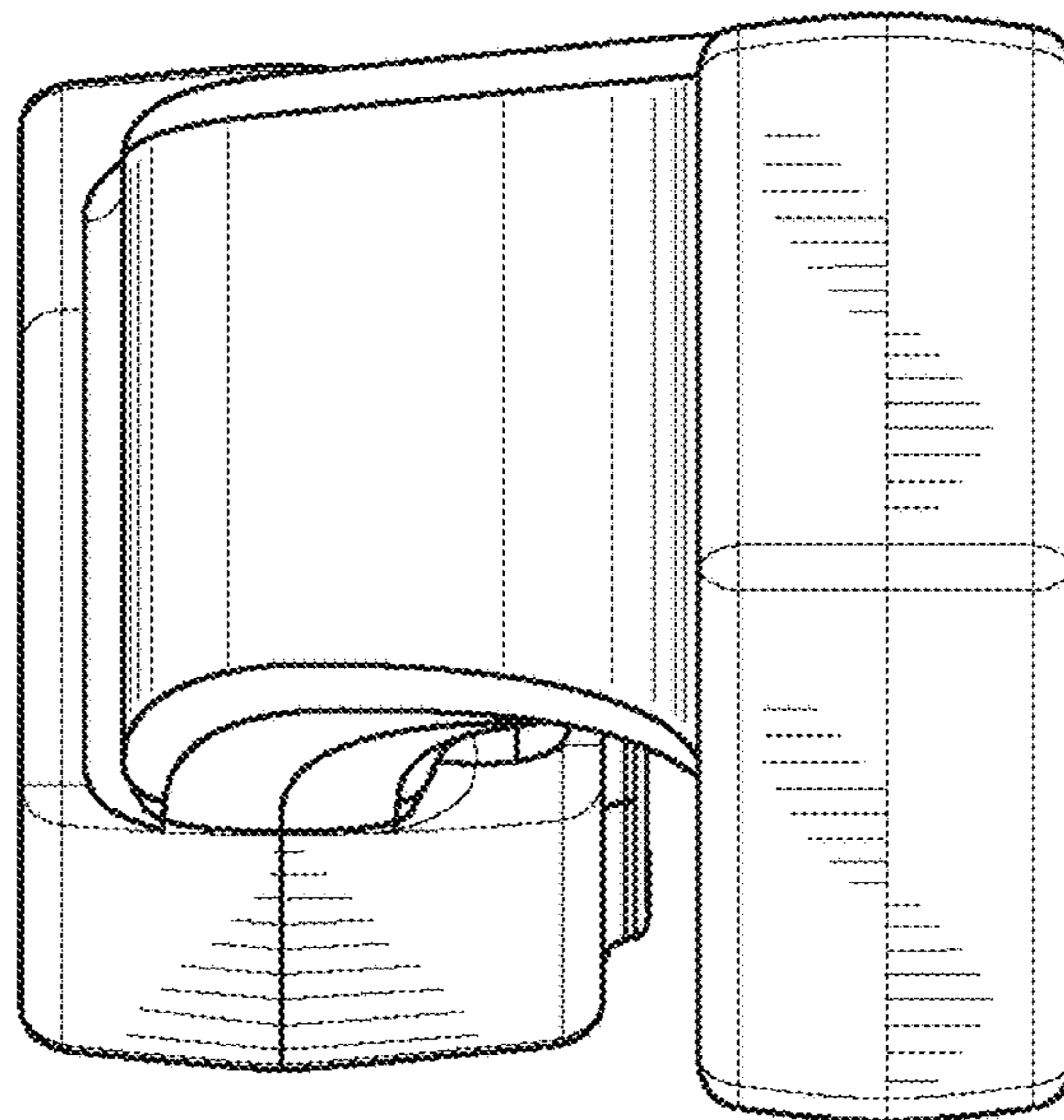


FIG. 6

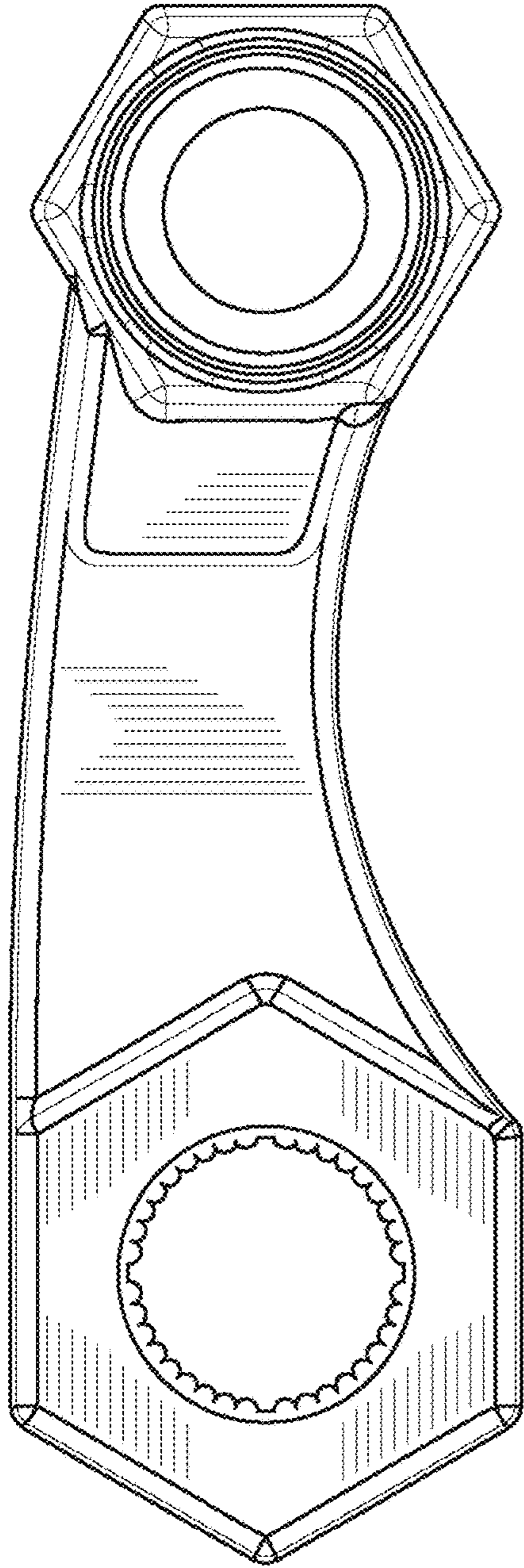


FIG. 7

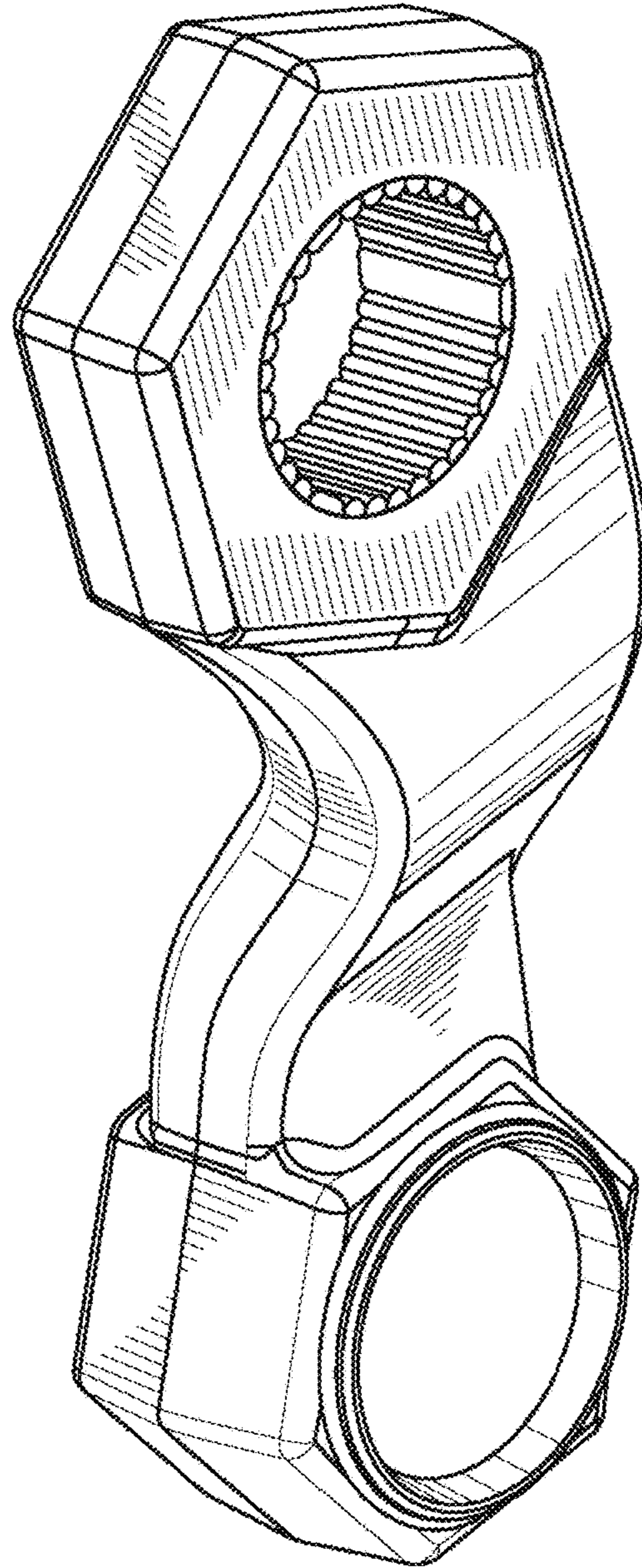


FIG. 8