



US00D973553S

(12) **United States Design Patent**
Xie

(10) **Patent No.:** **US D973,553 S**

(45) **Date of Patent:** **** Dec. 27, 2022**

(54) **KNEE WALKER**

OTHER PUBLICATIONS

(71) Applicant: **Foshan Juge Medical Technology Co., Ltd.**, Guangdong (CN)

(72) Inventor: **Xiaoming Xie**, Jingzhou (CN)

(**) Term: **15 Years**

(21) Appl. No.: **29/728,000**

(22) Filed: **Mar. 16, 2020**

(30) **Foreign Application Priority Data**

Dec. 18, 2019 (CN) 201930707457.X

(51) **LOC (13) Cl.** **12-12**

(52) **U.S. Cl.**
USPC **D12/130**

(58) **Field of Classification Search**
USPC D12/114, 128–133
CPC A47D 13/043; A47D 13/107; A47D 13/04;
A47D 13/005; A47D 3/00
See application file for complete search history.

(56) **References Cited**

U.S. PATENT DOCUMENTS

D363,904 S *	11/1995	Stone	D12/128
D517,455 S *	3/2006	Allen	D12/130
D891,309 S *	7/2020	Li	D12/130
D908,550 S *	1/2021	Berman	D12/130
D941,193 S *	1/2022	Cheng	D12/130
D953,210 S *	5/2022	Lu	D12/130
2014/0097592 A1 *	4/2014	Smith	B62K 5/003 280/267
2020/0317168 A1 *	10/2020	Mahathalagalage	B60T 1/062
2020/0390638 A1 *	12/2020	Jernigan, IV	B62K 25/02
2021/0259907 A1 *	8/2021	Vollmar	A61H 3/04
2022/0142834 A1 *	5/2022	Hamilton	A61B 5/7282

“Medline Steerable Knee Walker” Medline., posted date Oct. 26, 2020 [online], [retrieved on Aug. 11, 2022]. Retrieved from the Internet <URL: <https://www.amazon.com/Medline-Steerable-Walker-Alternative-Crutches/dp/B08LXJYG12>> (Year: 2020).*

“Carex Economy Rolling Knee Walker with Comfortable Padding” Carex., posted date Sep. 13, 2015 [online], [retrieved on Aug. 11, 2022]. Retrieved from the Internet <URL: <https://www.amazon.com/dp/B01MTYZH0D?tag=conch-house-20&linkCode=osi&th=1&psc=>>> (Year: 2015).*

(Continued)

Primary Examiner — Darlington Ly

Assistant Examiner — Nasim Abdulaziz Ali

(57) **CLAIM**

The ornamental design for a knee walker, as shown and described.

DESCRIPTION

FIG. 1 is a front perspective view of a knee walker, showing my new design;

FIG. 2 is a rear perspective view thereof;

FIG. 3 is a front elevational view thereof;

FIG. 4 is a rear elevational view thereof;

FIG. 5 is a left side elevational view thereof;

FIG. 6 is a right side elevational view thereof;

FIG. 7 is a top plan view thereof;

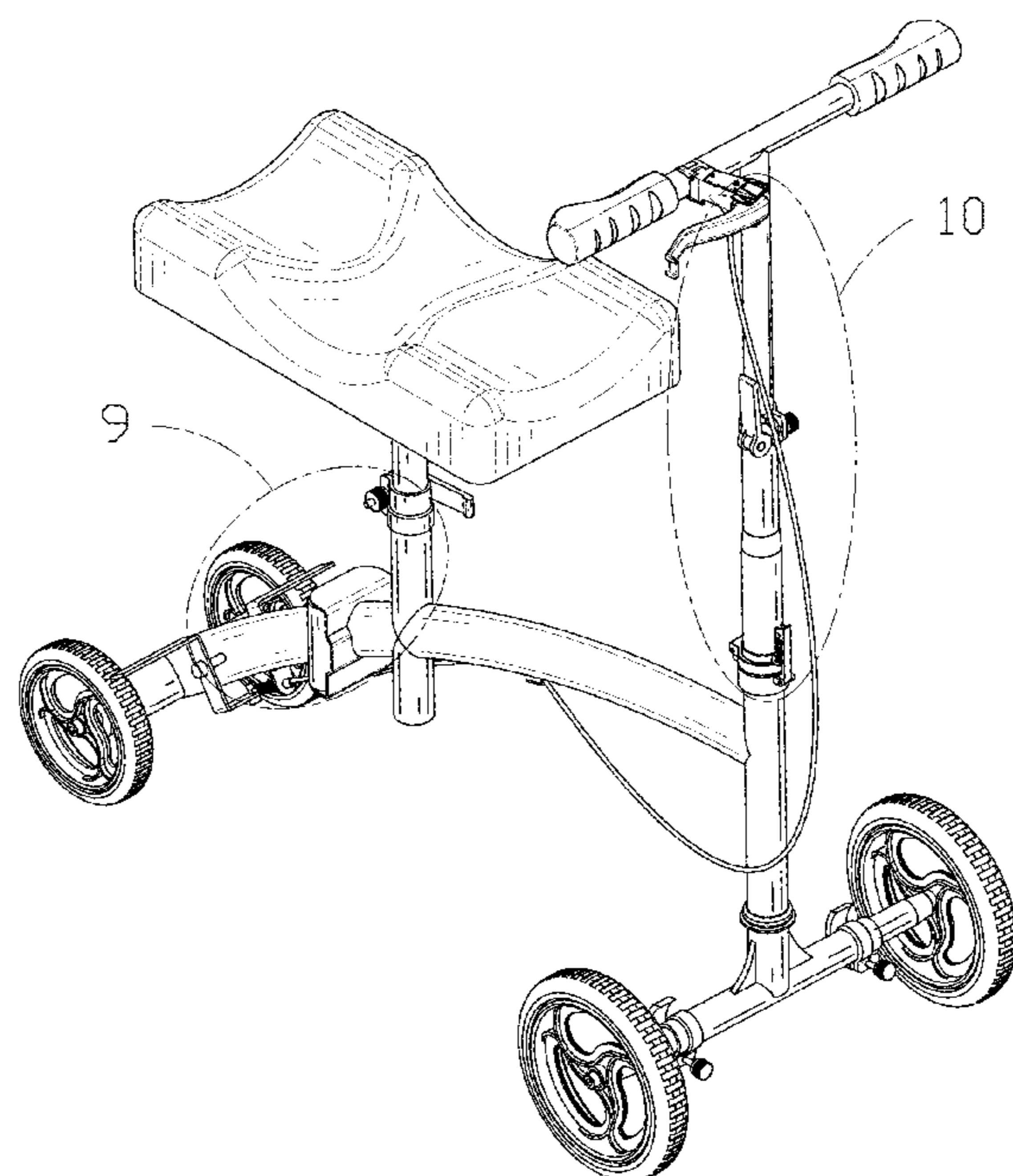
FIG. 8 is a bottom plan view thereof;

FIG. 9 is an enlarged view of a portion indicated with numeric 9 in FIG. 1; and,

FIG. 10 is an enlarged view of a portion indicated with numeric 10 in FIG. 1.

The dash dot dash lines in FIGS. 1, 9 and 10 are for the purpose of depicting the cut line of the enlarged view and form no part of the claim.

1 Claim, 10 Drawing Sheets



(56)

References Cited

OTHER PUBLICATIONS

“All Terrain Knee Walker” vivehealth., posted date Sep. 18, 2018 [online], [retrieved on Aug. 11, 2022]. Retrieved from the Internet <URL: <https://www.vivehealth.com/products/knee-scooter-all-terrain>> (Year: 2018).*

“Top 10 Best Rolling Knee Scooters Reviews In 2022” Superseven., posted date Sep. 2, 2021 [online], [retrieved on Aug. 11, 2022]. Retrieved from the Internet <URL: <https://www.conch-house.com/best-rolling-knee-scooters/>> (Year: 2021).*

* cited by examiner

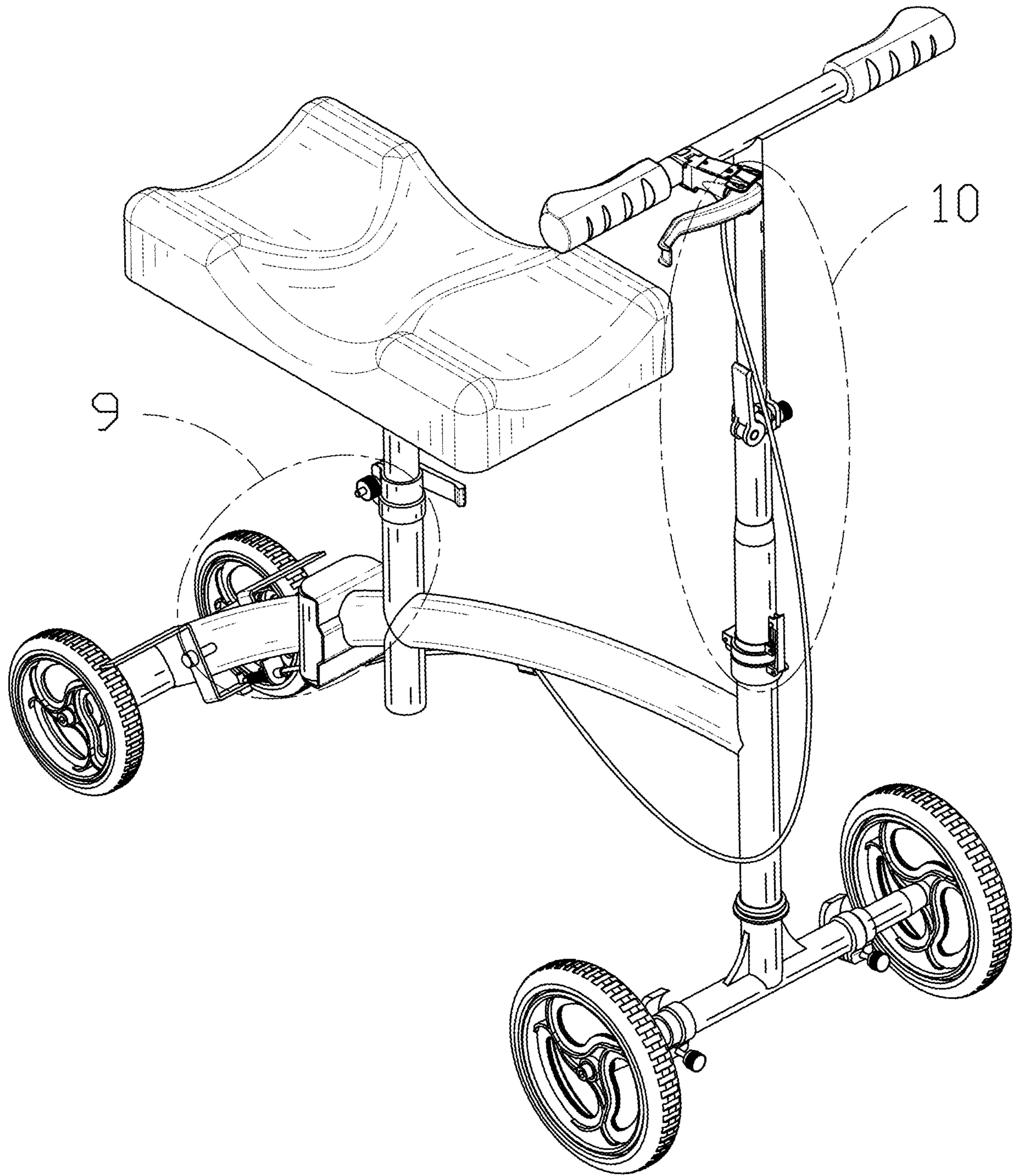


FIG. 1

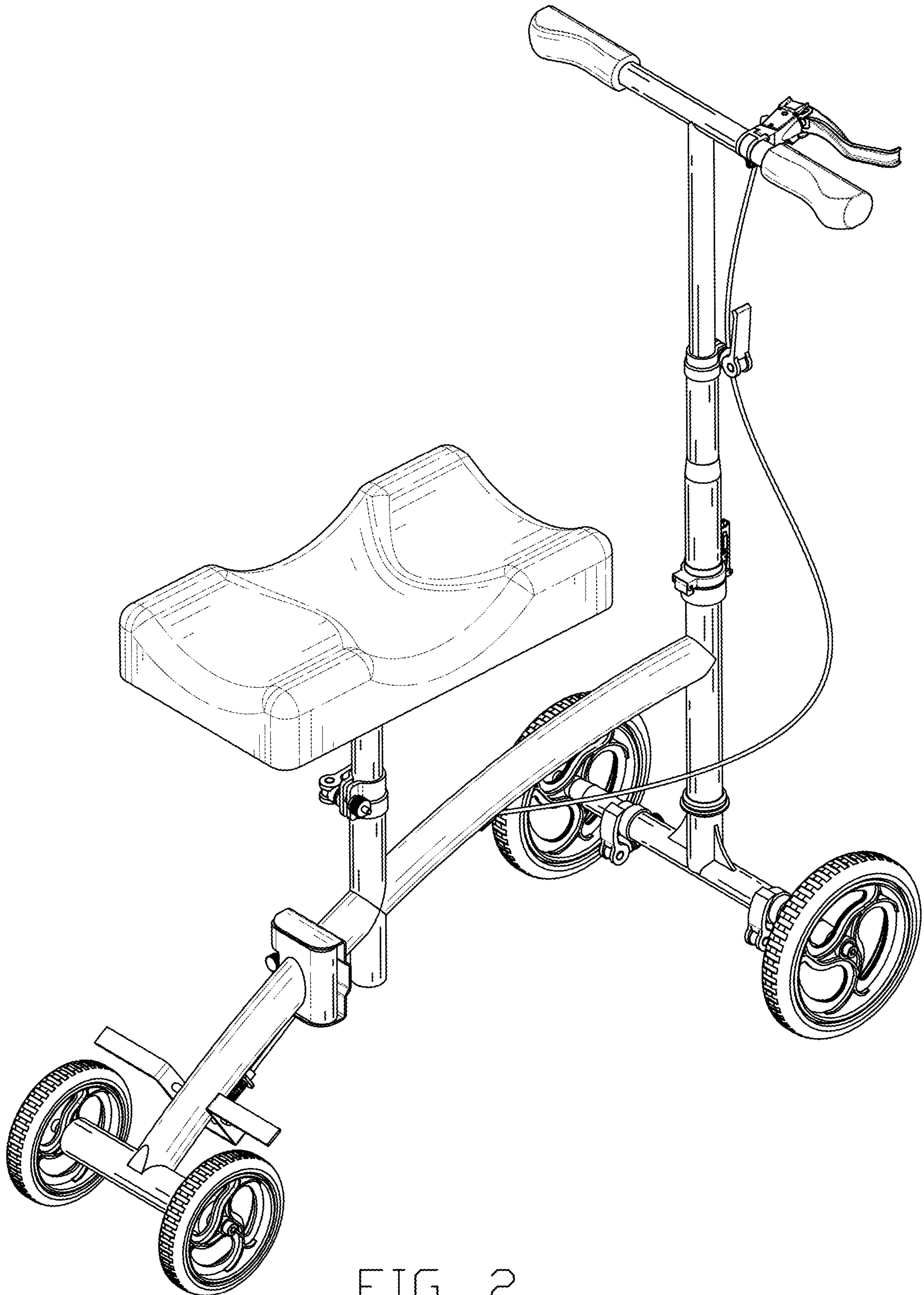


FIG. 2

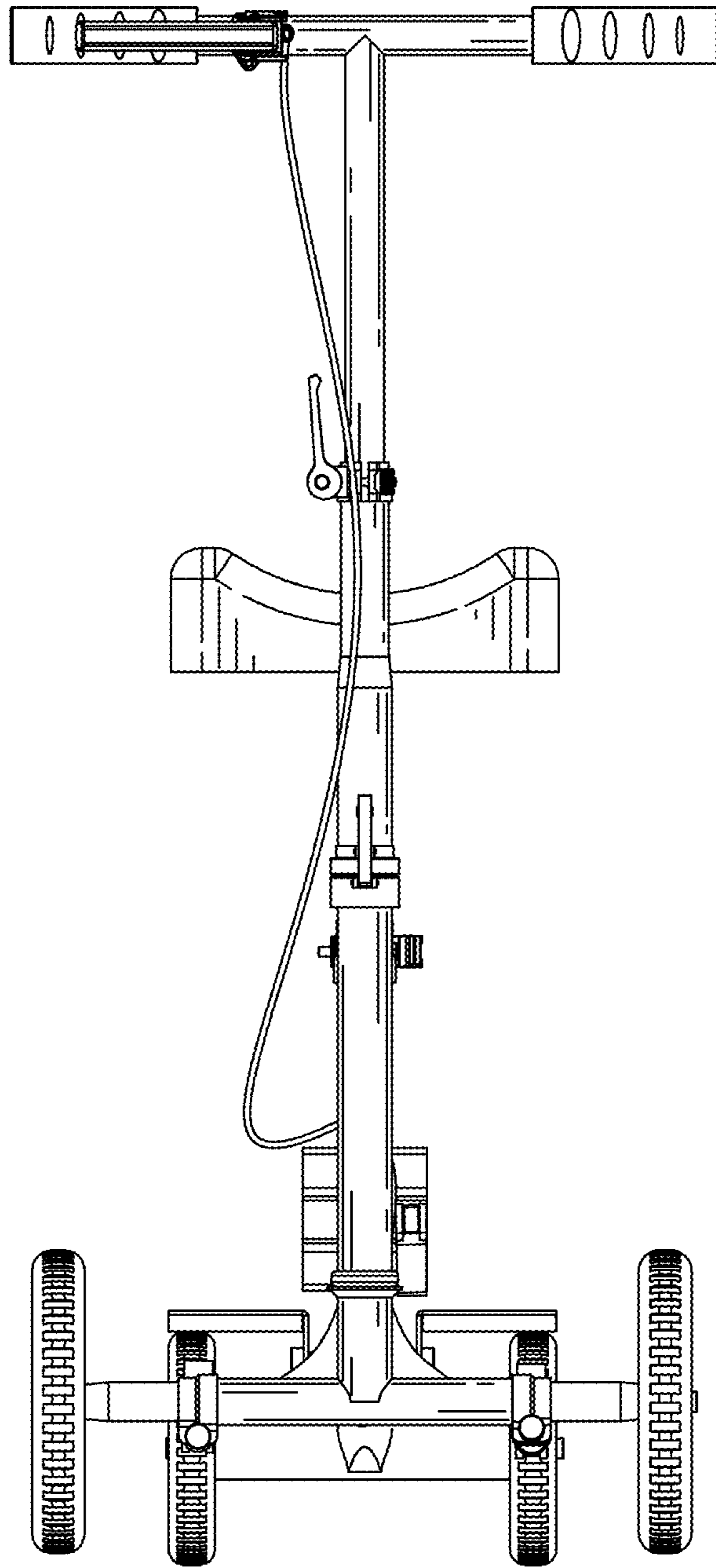


FIG. 3

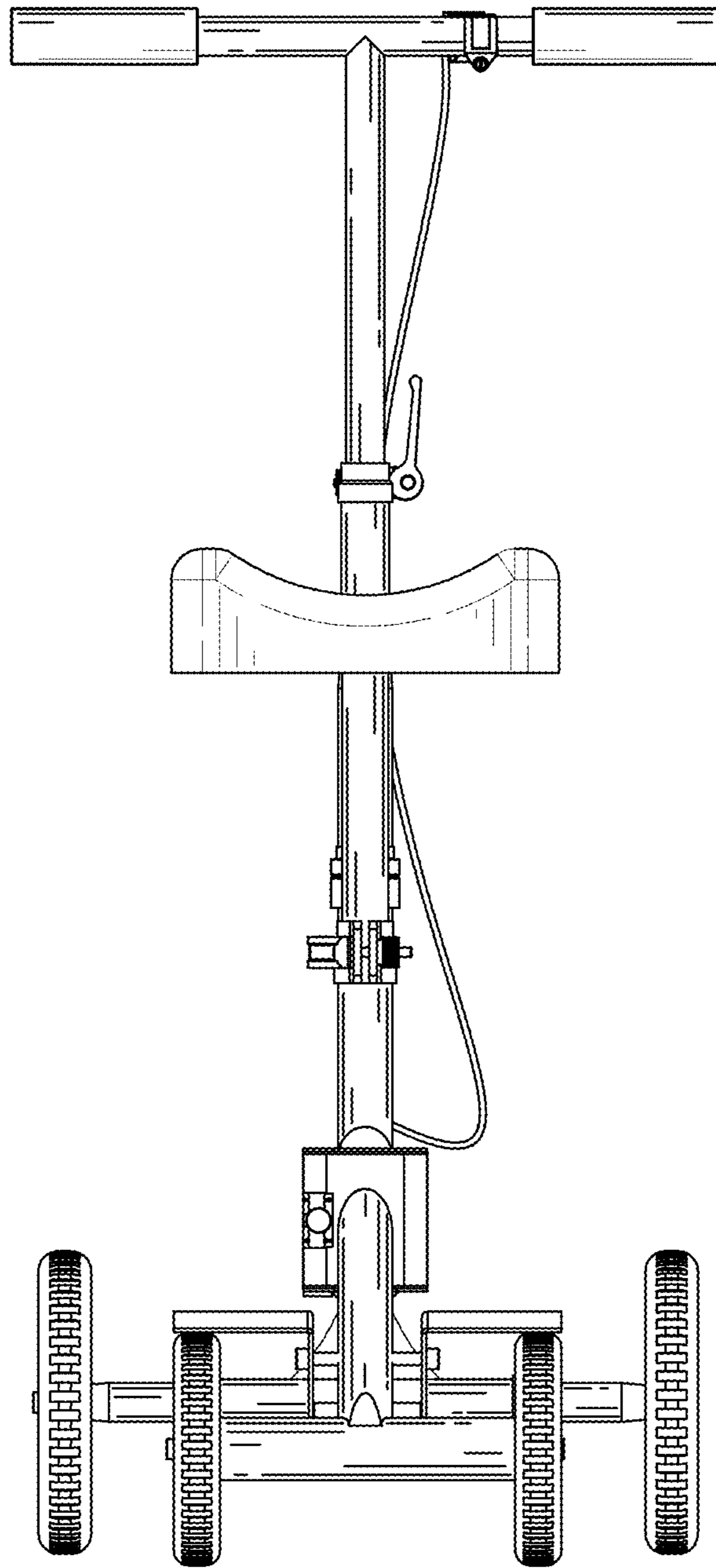


FIG. 4

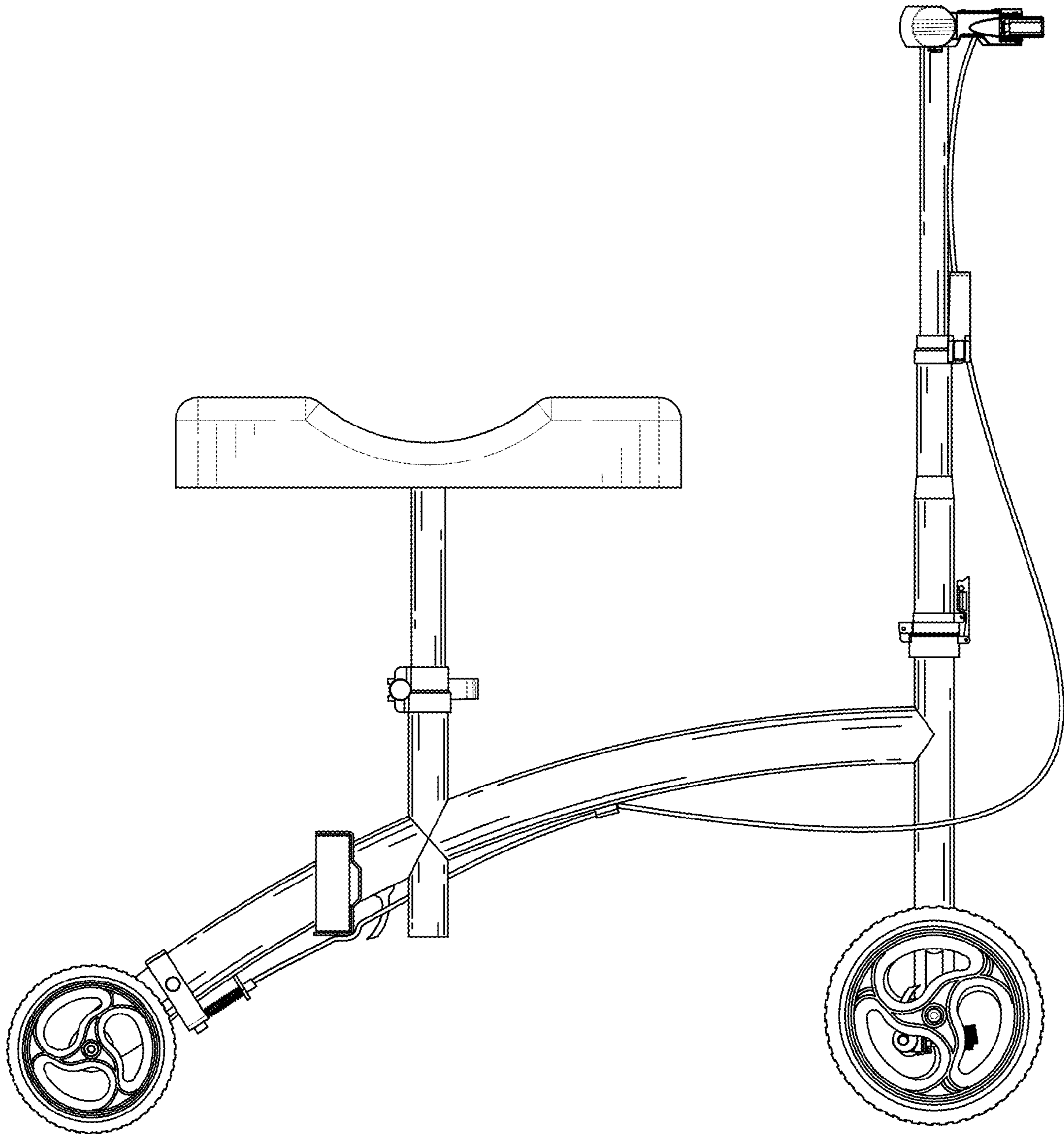


FIG. 5

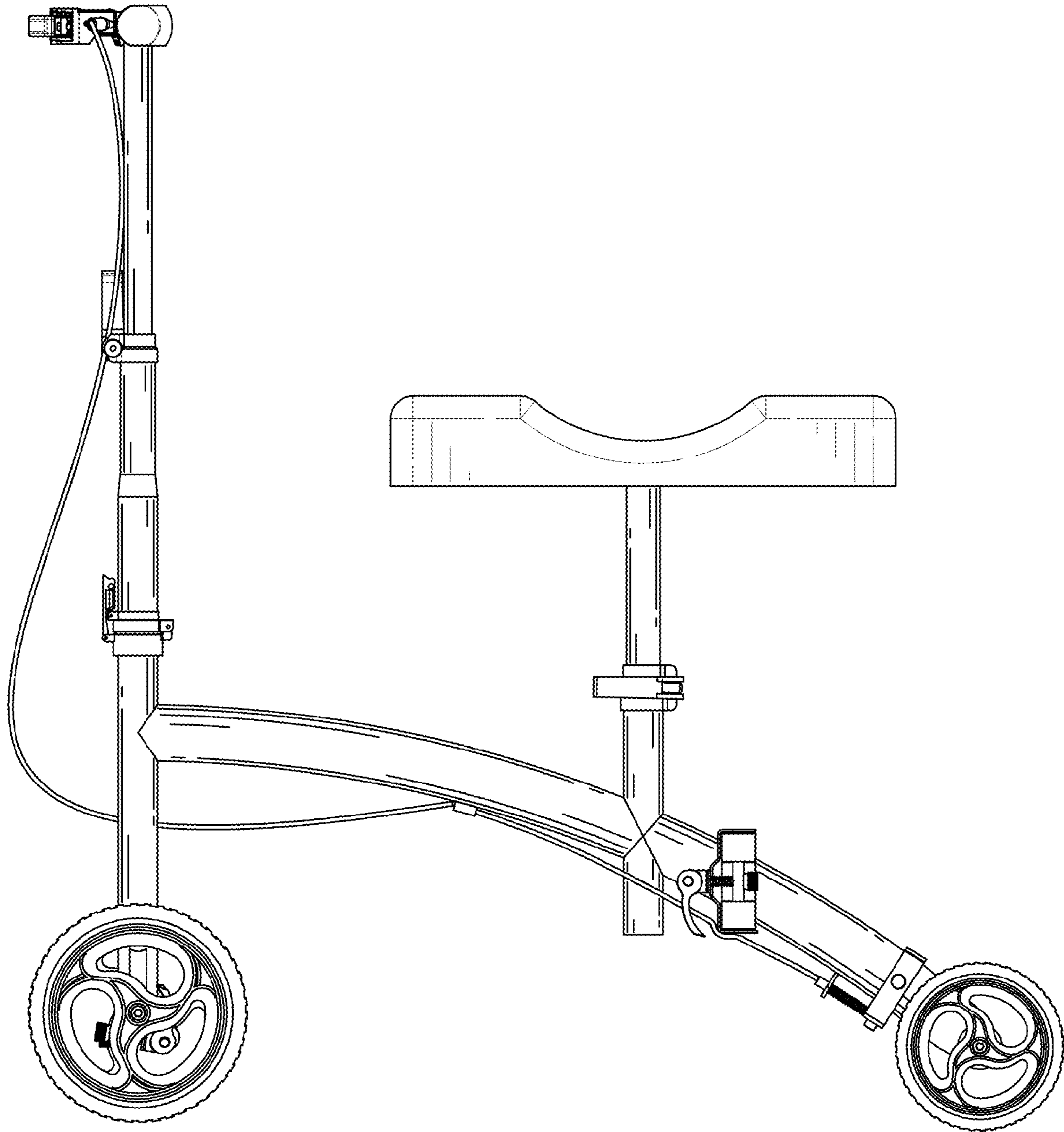


FIG. 6

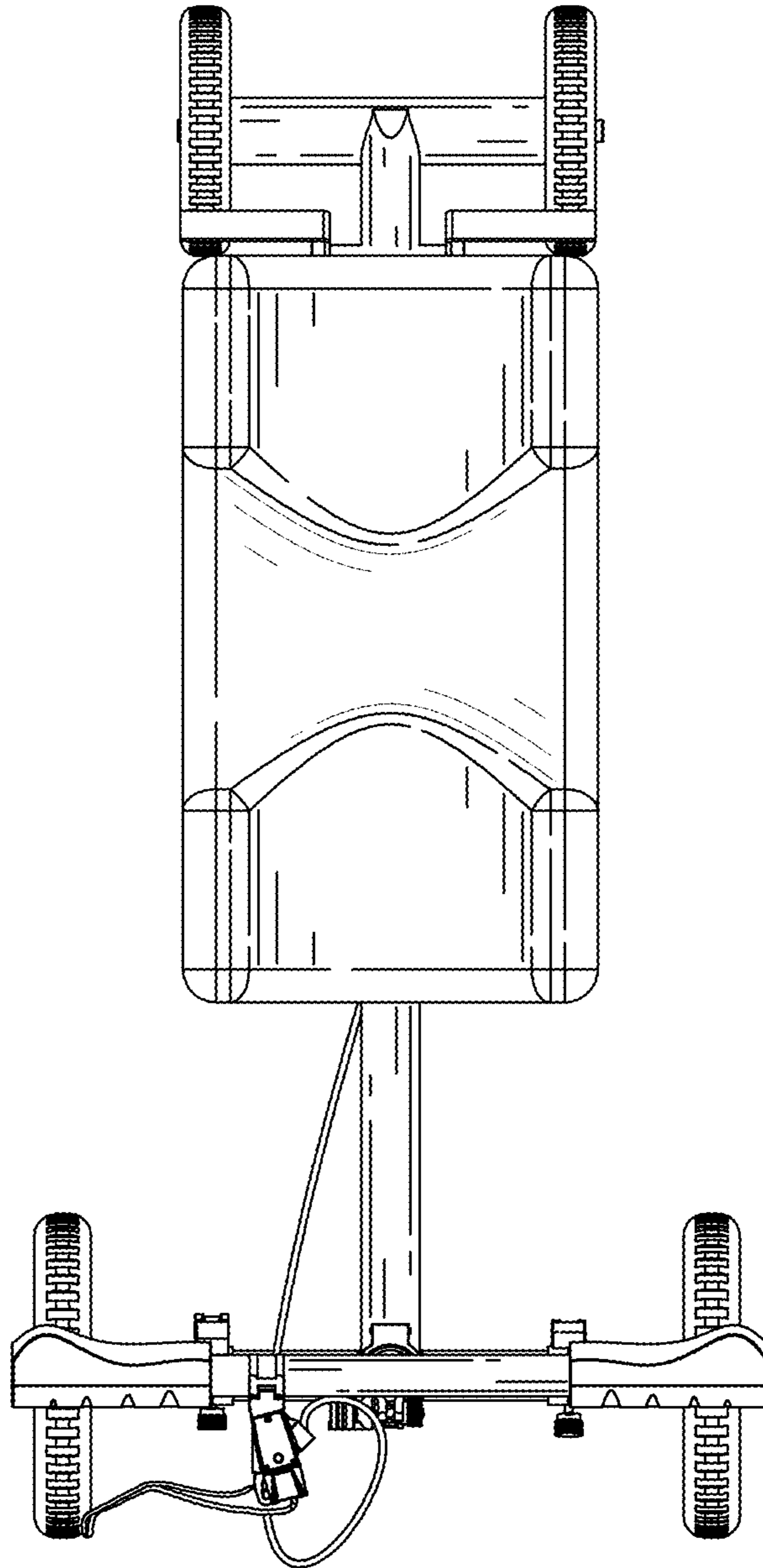


FIG. 7

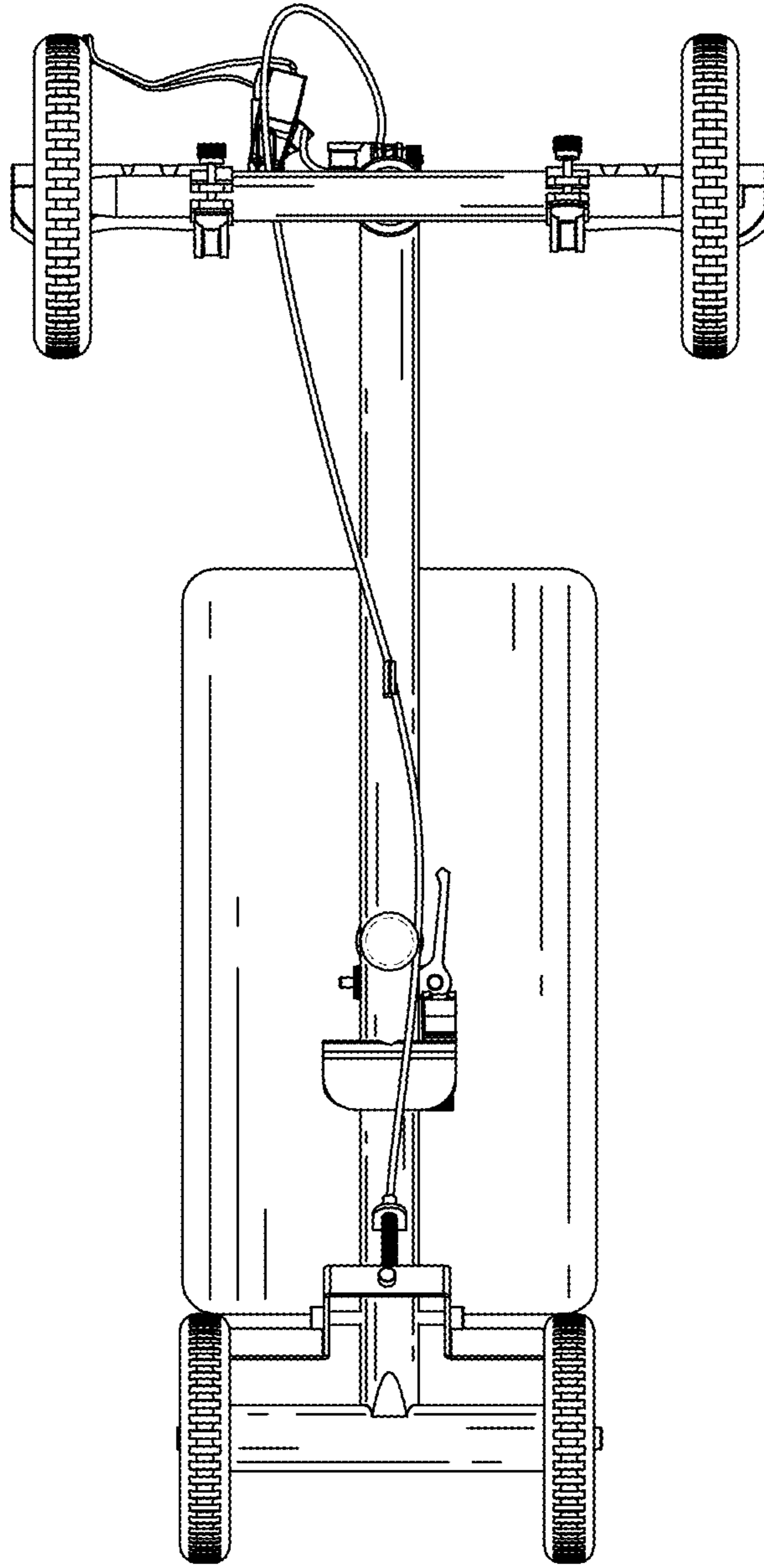


FIG. 8

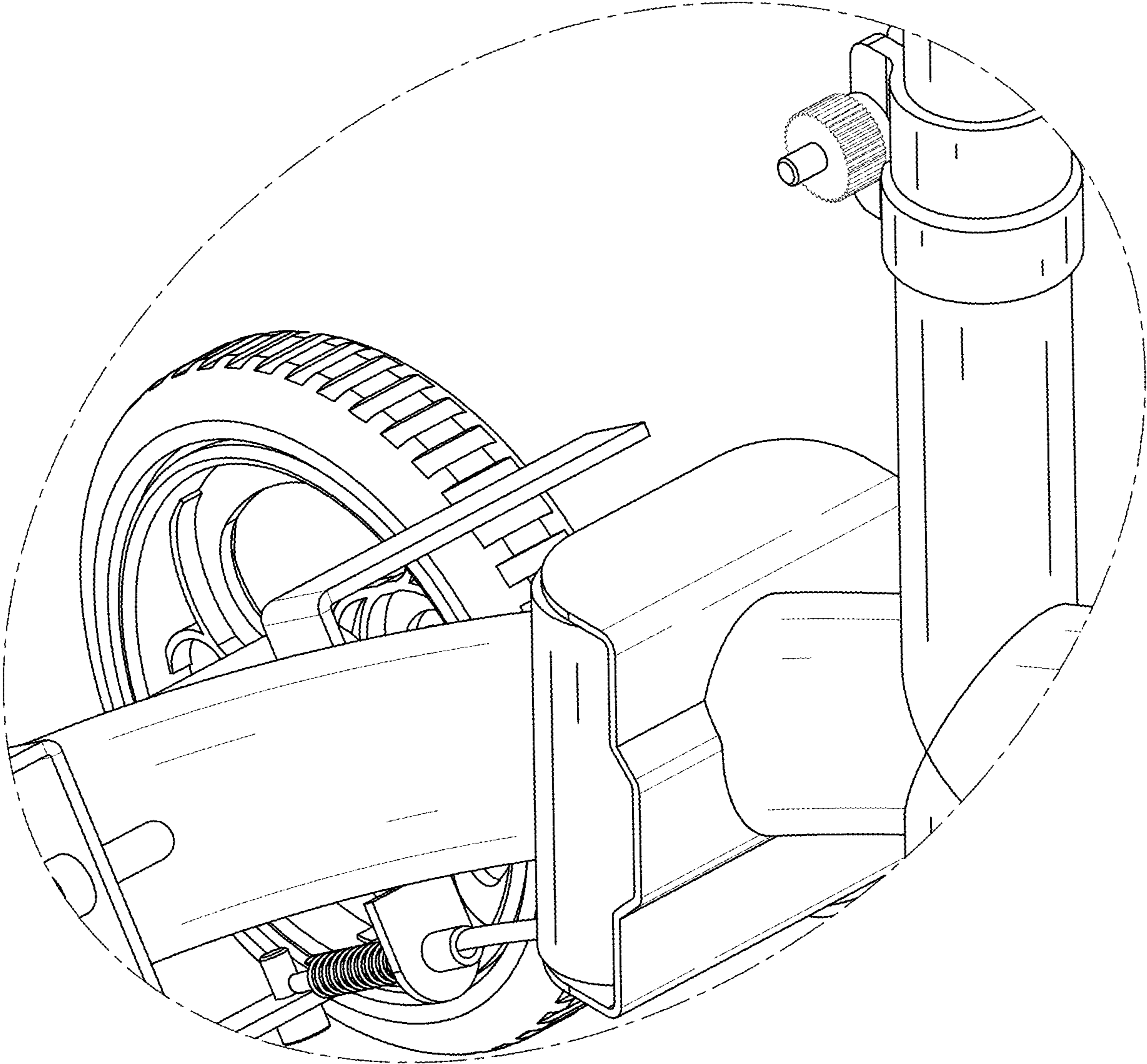


FIG. 9

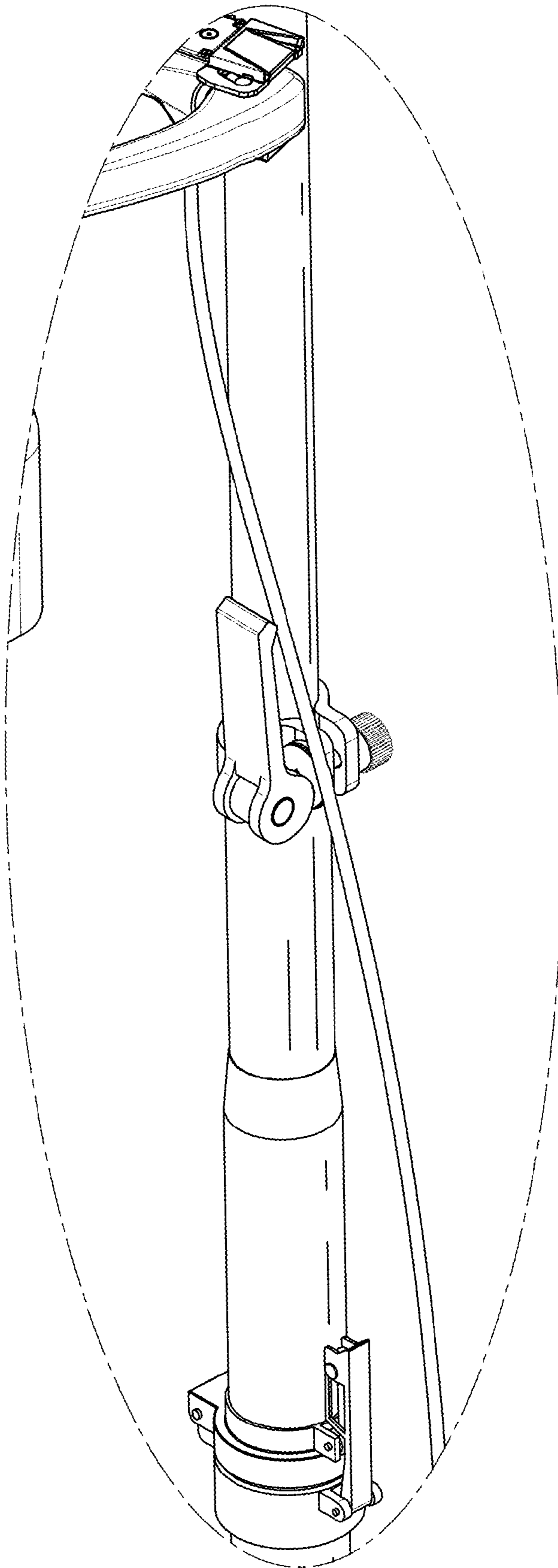


FIG. 10