



US00D973552S

(12) **United States Design Patent** (10) **Patent No.:** **US D973,552 S**  
**Yao** (45) **Date of Patent:** **\*\* Dec. 27, 2022**

(54) **BICYCLE PEDAL**  
(71) Applicant: **NING BO QI YING SPORTS EQUIPMENT CO., LTD.**, Ning Bo (CN)

2012/0266718 A1\* 10/2012 Yang ..... B62M 3/08 74/594.6  
2015/0090072 A1\* 4/2015 Chen ..... B62M 3/08 74/594.4  
2015/0298762 A1\* 10/2015 Lin ..... B62M 3/08 74/594.4

(72) Inventor: **Yong Yao**, Ning Bo (CN)  
(73) Assignee: **NING BO QI YING SPORTS EQUIPMENT CO., LTD.**, Ning Bo (CN)

FOREIGN PATENT DOCUMENTS

CN 306255448 \* 12/2020

(\*\*) Term: **15 Years**

OTHER PUBLICATIONS

(21) Appl. No.: **29/788,430**

Amazon, Mzyrh MTB Mountain Bike Pedals 3 Bearing Flat Platform Compatible with SPD Dual Function Sealed Clipless Aluminum, published Jun. 3, 2021 [retrieved on Sep. 16, 2022]. Retrieved on the internet<<https://www.amazon.com/MZYRH-Mountain-Platform-Compatible-Function/dp/B096RMYTSC?th=1>>(Year: 2021).\*

(22) Filed: **May 25, 2021**

\* cited by examiner

(30) **Foreign Application Priority Data**

May 12, 2021 (CN) ..... 202130281649.6

*Primary Examiner* — Joseph Kukella  
*Assistant Examiner* — Lavon M. Amerson  
(74) *Attorney, Agent, or Firm* — Grossman, Tucker, Perreault & Pfleger, PLLC

(51) **LOC (13) Cl.** ..... **12-11**

(52) **U.S. Cl.**  
USPC ..... **D12/125**

(58) **Field of Classification Search**  
USPC ..... D12/111-113, 125; 296/75; 74/560, 74/594.1-594.6  
CPC ..... B60N 3/063; Y10T 74/217; B62J 25/00; B62M 3/08

(57) **CLAIM**

See application file for complete search history.

The ornamental design for a bicycle pedal, as shown and described.

**DESCRIPTION**

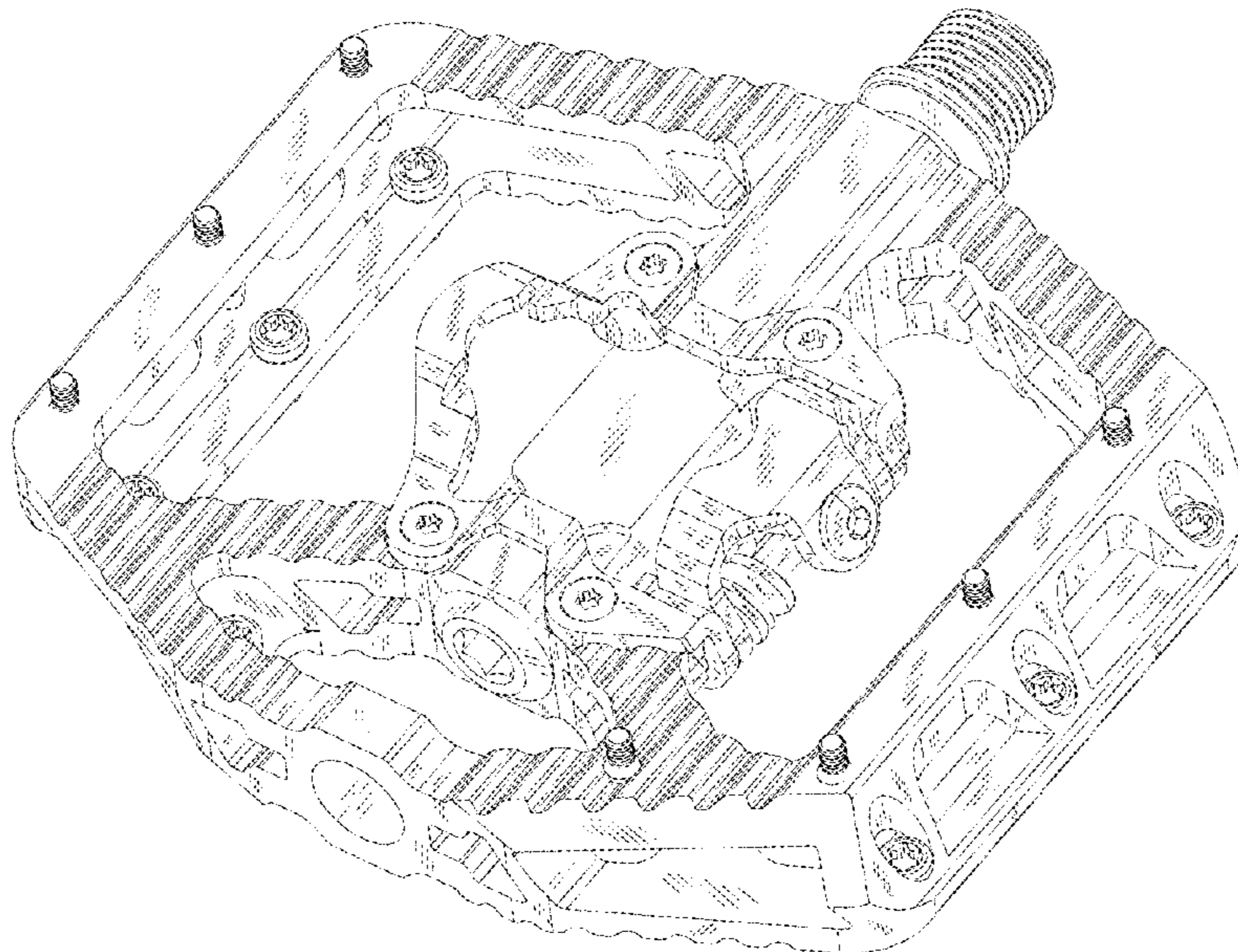
(56) **References Cited**

U.S. PATENT DOCUMENTS

D284,459 S \* 7/1986 Shimizu ..... B62M 3/083 D12/125  
6,085,614 A \* 7/2000 Lin ..... B62M 3/086 D12/125  
11,124,265 B1 \* 9/2021 Liu ..... B62M 3/083  
D932,950 S \* 10/2021 Lou ..... B62M 3/08 D12/125

FIG. 1 is a top view of the bicycle pedal;  
FIG. 2 is a bottom view thereof;  
FIG. 3 is a left-side view thereof;  
FIG. 4 is a right-side view thereof;  
FIG. 5 is a front view thereof;  
FIG. 6 is a rear view thereof; and,  
FIG. 7 is a perspective view thereof.

**1 Claim, 5 Drawing Sheets**



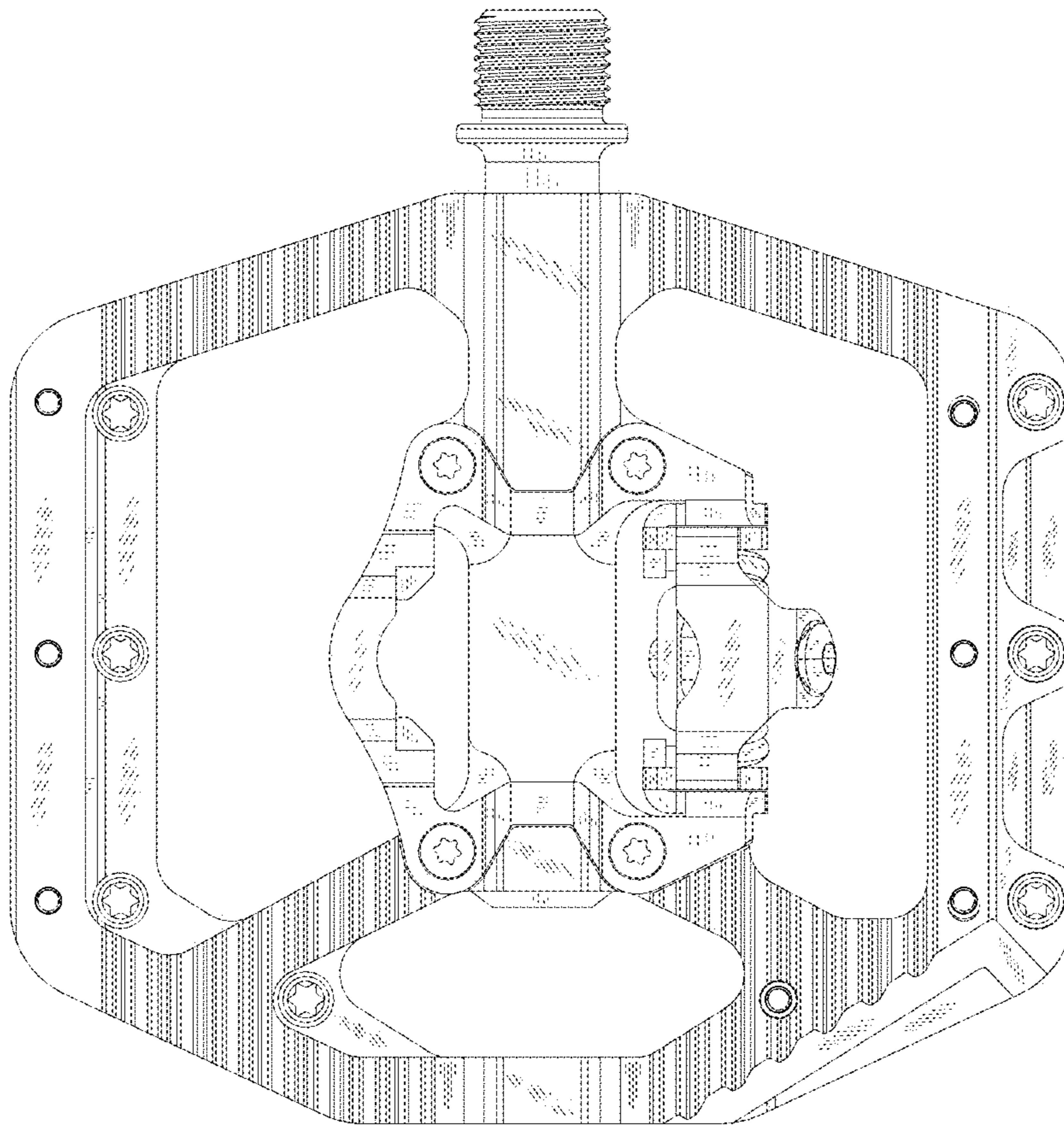


FIG.1

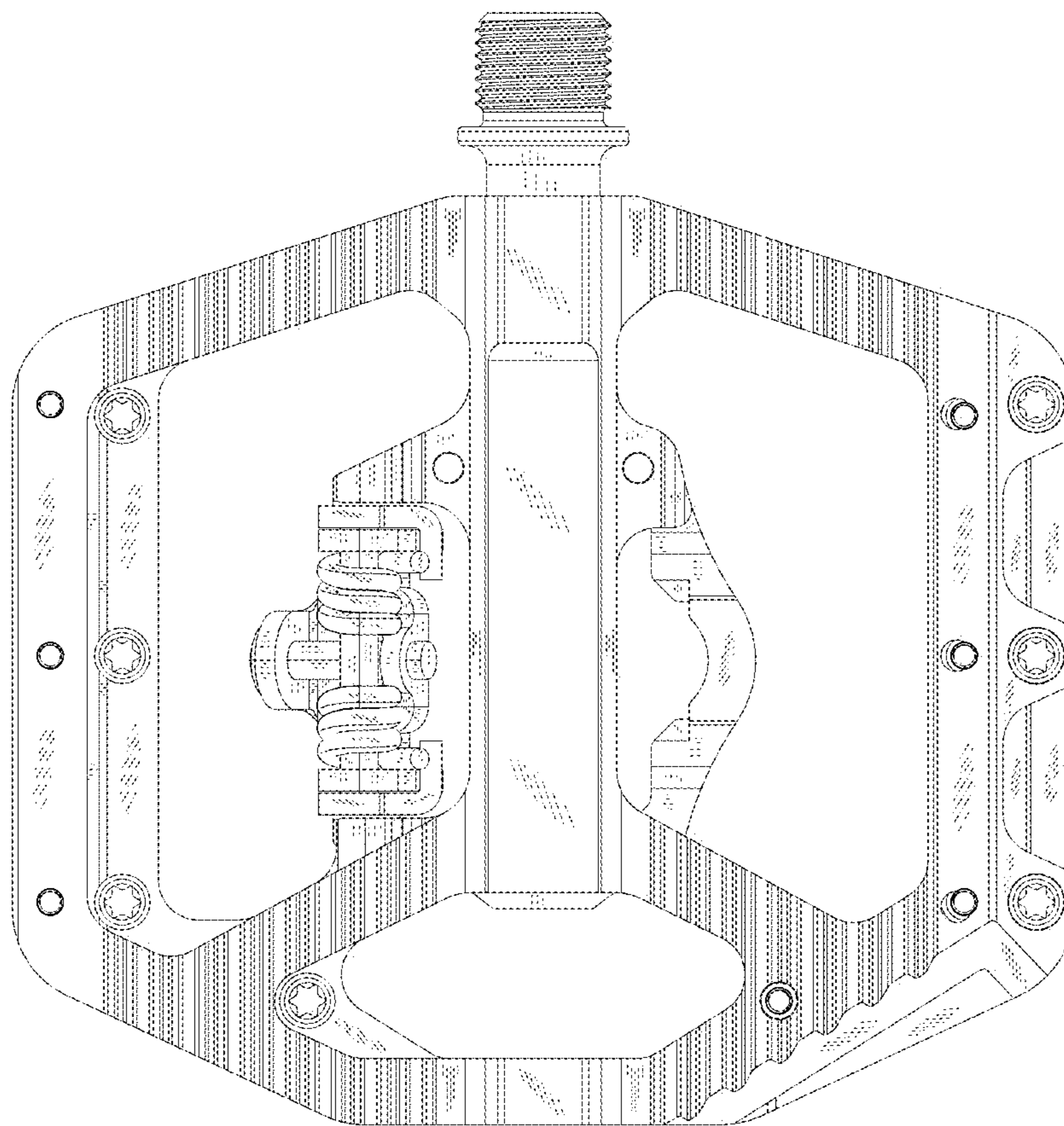


FIG.2

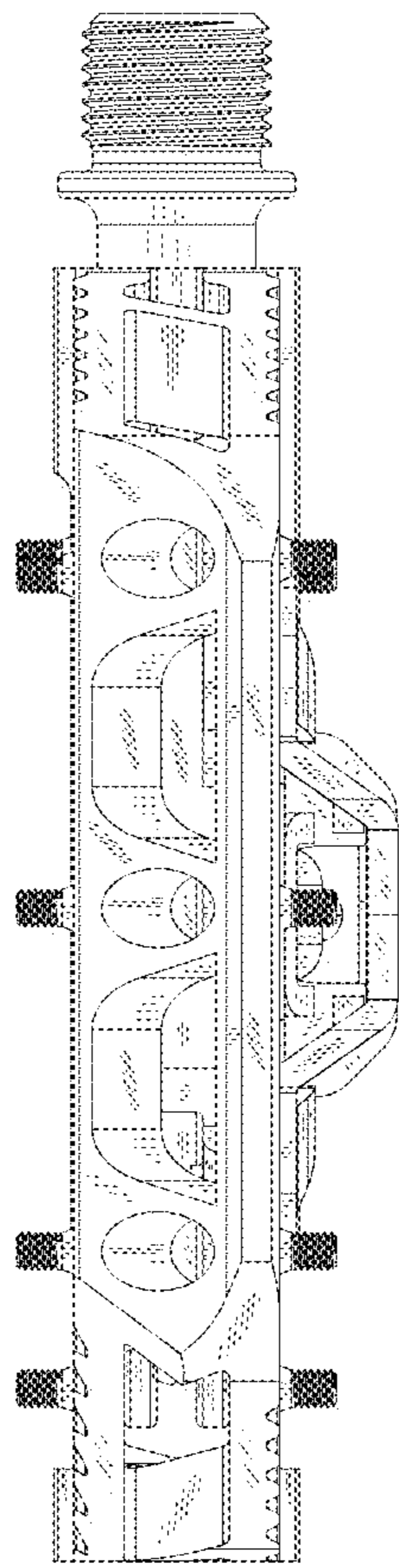


FIG.3

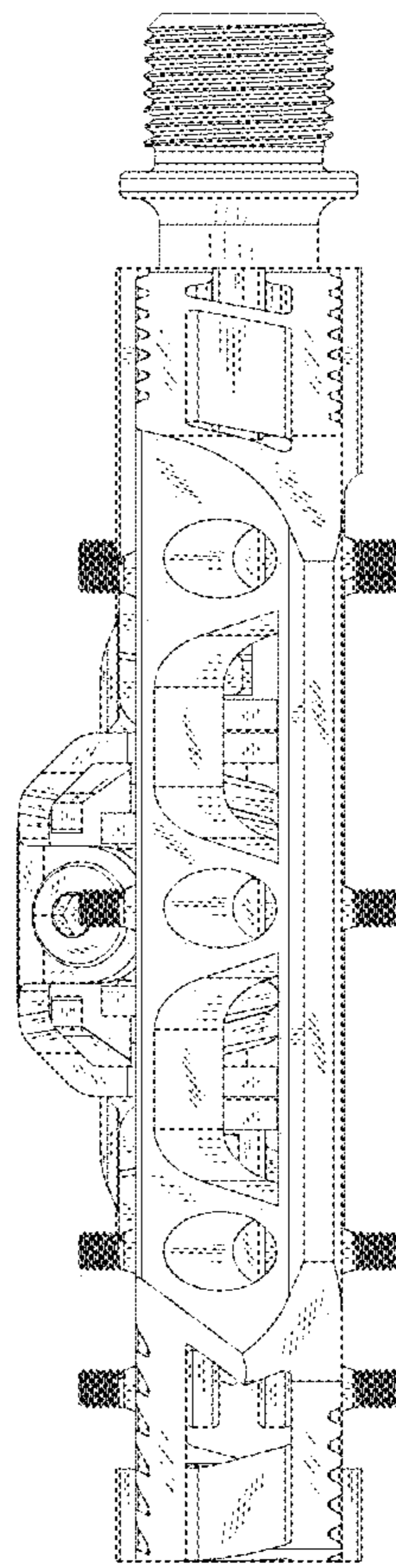


FIG.4

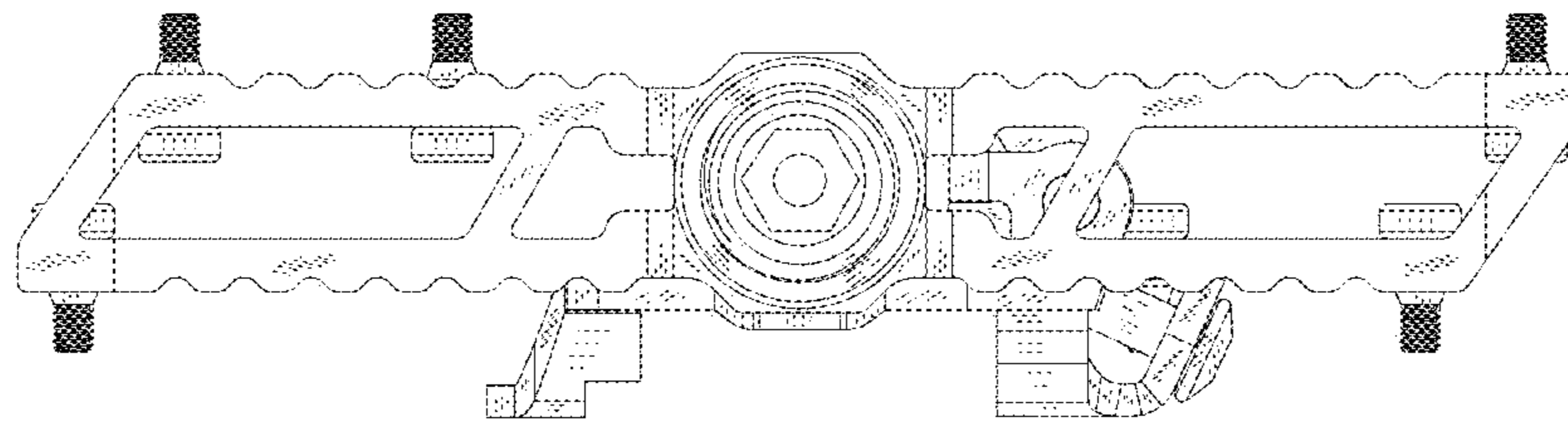


FIG.5

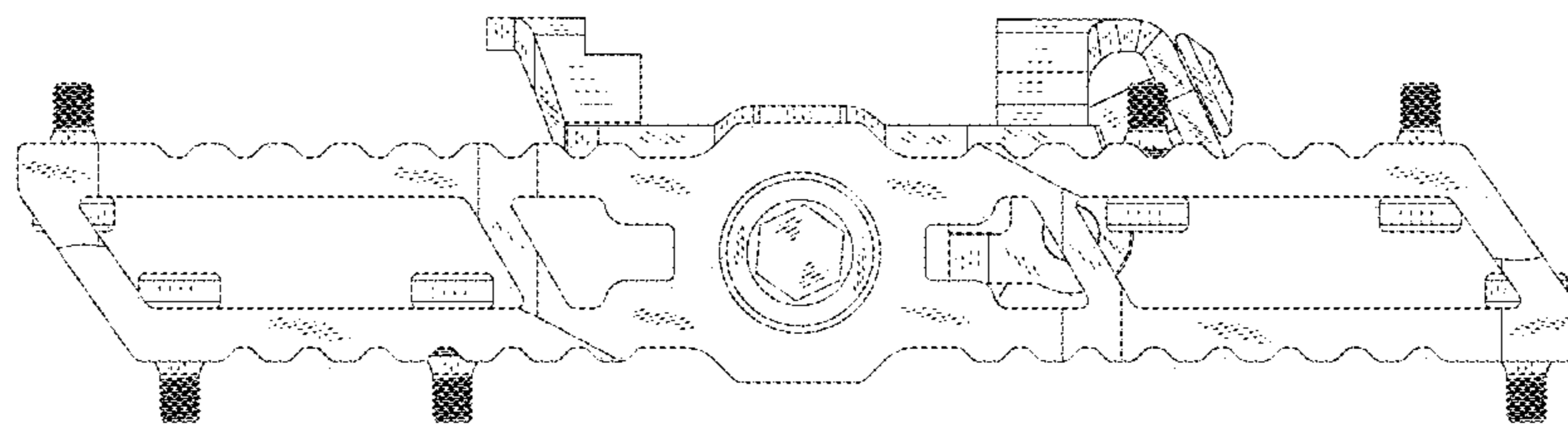


FIG.6

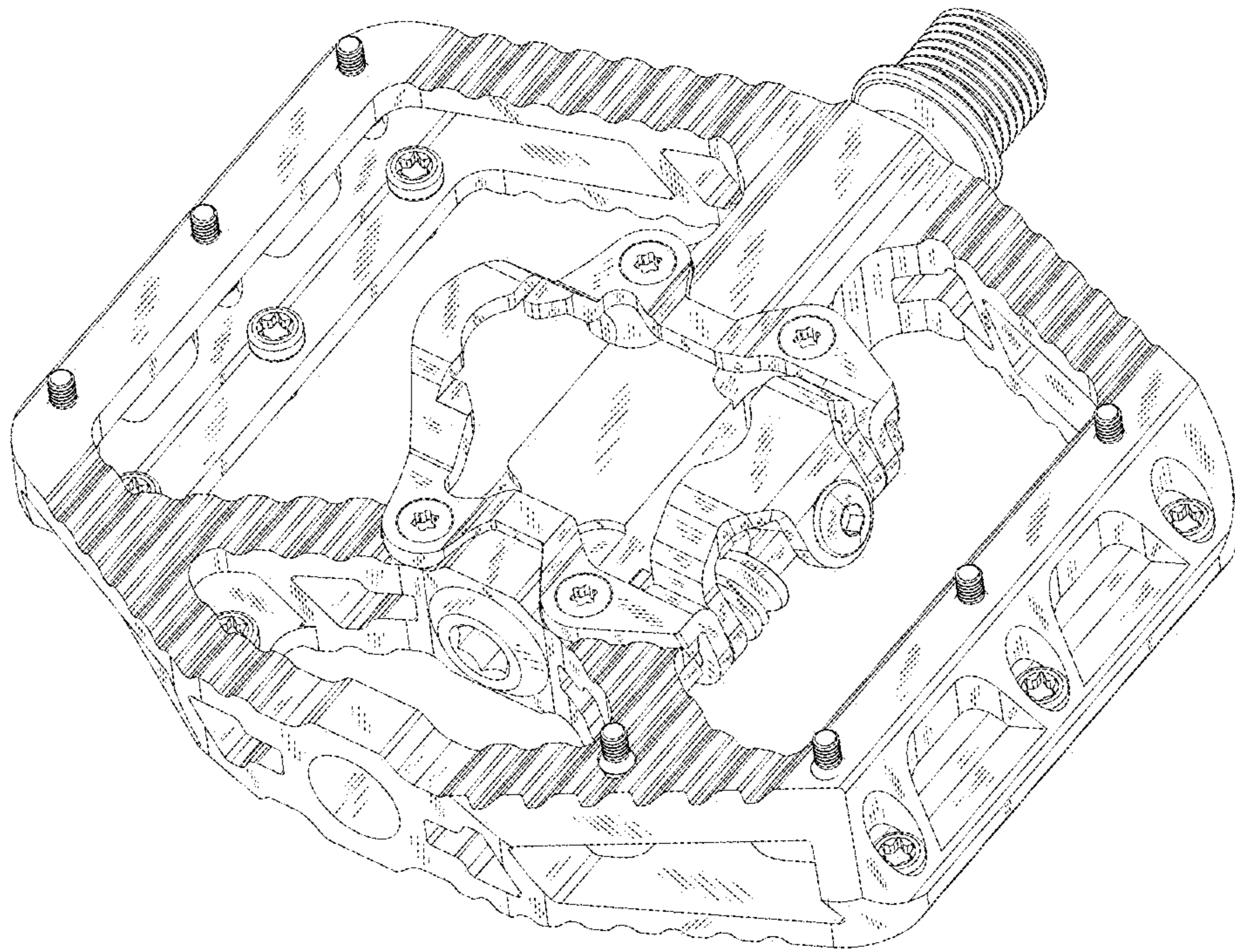


FIG.7