



US00D973551S

(12) **United States Design Patent** (10) **Patent No.:** **US D973,551 S**  
**Yao** (45) **Date of Patent:** **\*\* Dec. 27, 2022**

- (54) **BICYCLE PEDAL** 2009/0095123 A1\* 4/2009 Weagle ..... B62M 3/08  
74/560
- (71) Applicant: **NING BO QI YING SPORTS** 2009/0241725 A1\* 10/2009 Chen ..... B62M 3/08  
**EQUIPMENT CO., LTD.,** Ning Bo 74/594.4  
(CN) 2010/0064846 A1\* 3/2010 Tsai ..... B62M 3/08  
74/594.4
- (72) Inventor: **Yong Yao,** Ning Bo (CN) 2011/0061491 A1\* 3/2011 Chin ..... B62M 3/08  
74/594.4
- (73) Assignee: **NING BO QI YING SPORTS** 2011/0088508 A1\* 4/2011 Chen ..... B62M 3/086  
**EQUIPMENT CO., LTD.,** Ning Bo 74/594.6  
(CN) 2012/0137825 A1\* 6/2012 Lin ..... B62M 3/08  
74/594.4

(Continued)

(\*\*) Term: **15 Years**

(21) Appl. No.: **29/788,429**

(22) Filed: **May 25, 2021**

(30) **Foreign Application Priority Data**

May 12, 2021 (CN) ..... 202130281650.9

(51) **LOC (13) Cl.** ..... **12-11**

(52) **U.S. Cl.**  
USPC ..... **D12/125**

(58) **Field of Classification Search**  
USPC .... D12/111-113, 125; 74/560, 594.1-594.6;  
296/75  
CPC ..... B62J 25/00; B62M 3/08; Y10T 74/217;  
B60N 3/063  
See application file for complete search history.

(56) **References Cited**

U.S. PATENT DOCUMENTS

- D284,459 S \* 7/1986 Shimizu ..... D12/125
- D387,706 S \* 12/1997 Hanamura ..... D12/125
- 6,085,614 A \* 7/2000 Lin ..... B62M 3/086  
D12/125
- D432,463 S \* 10/2000 Hanamura ..... B62M 3/08  
D12/125
- 2006/0266154 A1\* 11/2006 Hermansen ..... B62M 3/08  
74/594.6

OTHER PUBLICATIONS

Amazon, Alston Mountain Bike Pedals 3 Sealed Bearing Colorful Machined Cycling, published May 10, 2022 [retrieved on Sep. 16, 2022]. retrieved on the internet<<https://www.amazon.com/Alston-Mountain-Platform-Compatible-Function/dp/B09PD5X5F8?th=1>> (Year: 2022).\*

(Continued)

*Primary Examiner* — Joseph Kukella  
*Assistant Examiner* — Lavon M. Amerson  
(74) *Attorney, Agent, or Firm* — Grossman, Tucker, Perreault & Pfleger, PLLC

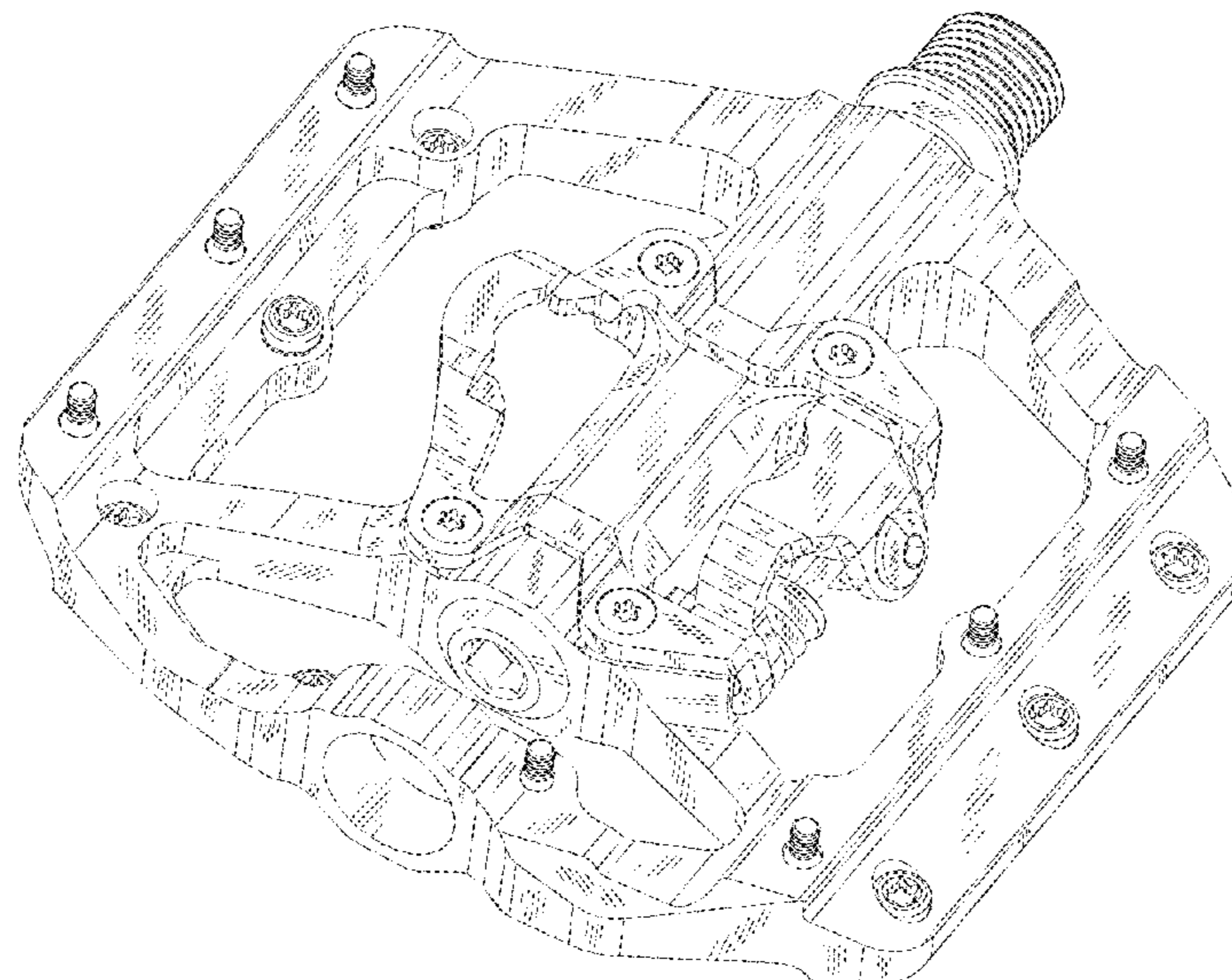
(57) **CLAIM**

The ornamental design for a bicycle pedal, as shown and described.

**DESCRIPTION**

FIG. 1 is a top view of the bicycle pedal;  
FIG. 2 is a bottom view thereof;  
FIG. 3 is a left-side view thereof;  
FIG. 4 is a right-side view thereof;  
FIG. 5 is a front view thereof;  
FIG. 6 is a rear view thereof; and,  
FIG. 7 is a perspective view thereof.

**1 Claim, 5 Drawing Sheets**



(56)

**References Cited**

U.S. PATENT DOCUMENTS

2012/0291590 A1\* 11/2012 Chamberlain ..... B62M 3/08  
74/594.6  
2014/0251077 A1\* 9/2014 Chen ..... B62M 3/08  
74/594.4

OTHER PUBLICATIONS

Amazon, ANSJS Mountain Bike Pedal MTB Pedals Bicycle Flat Pedal, published Jun. 4, 2020 [retrieved on Sep. 16, 2022] retrieved on the internet<[https://www.amazon.com/dp/B089NSXYG6/ref=sspa\\_dk\\_detail\\_5?](https://www.amazon.com/dp/B089NSXYG6/ref=sspa_dk_detail_5?)> (Year: 2020).\*

\* cited by examiner

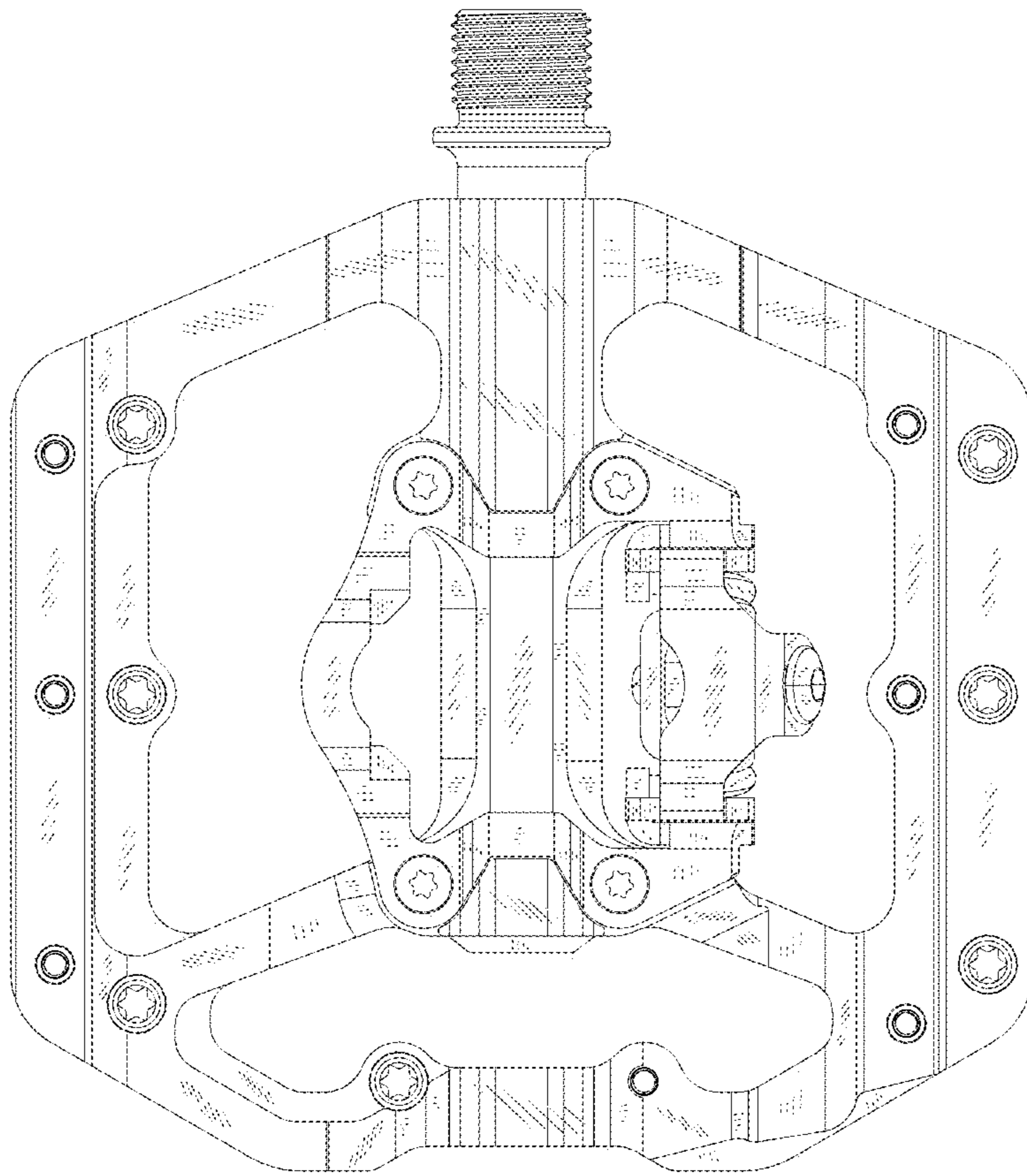


FIG.1

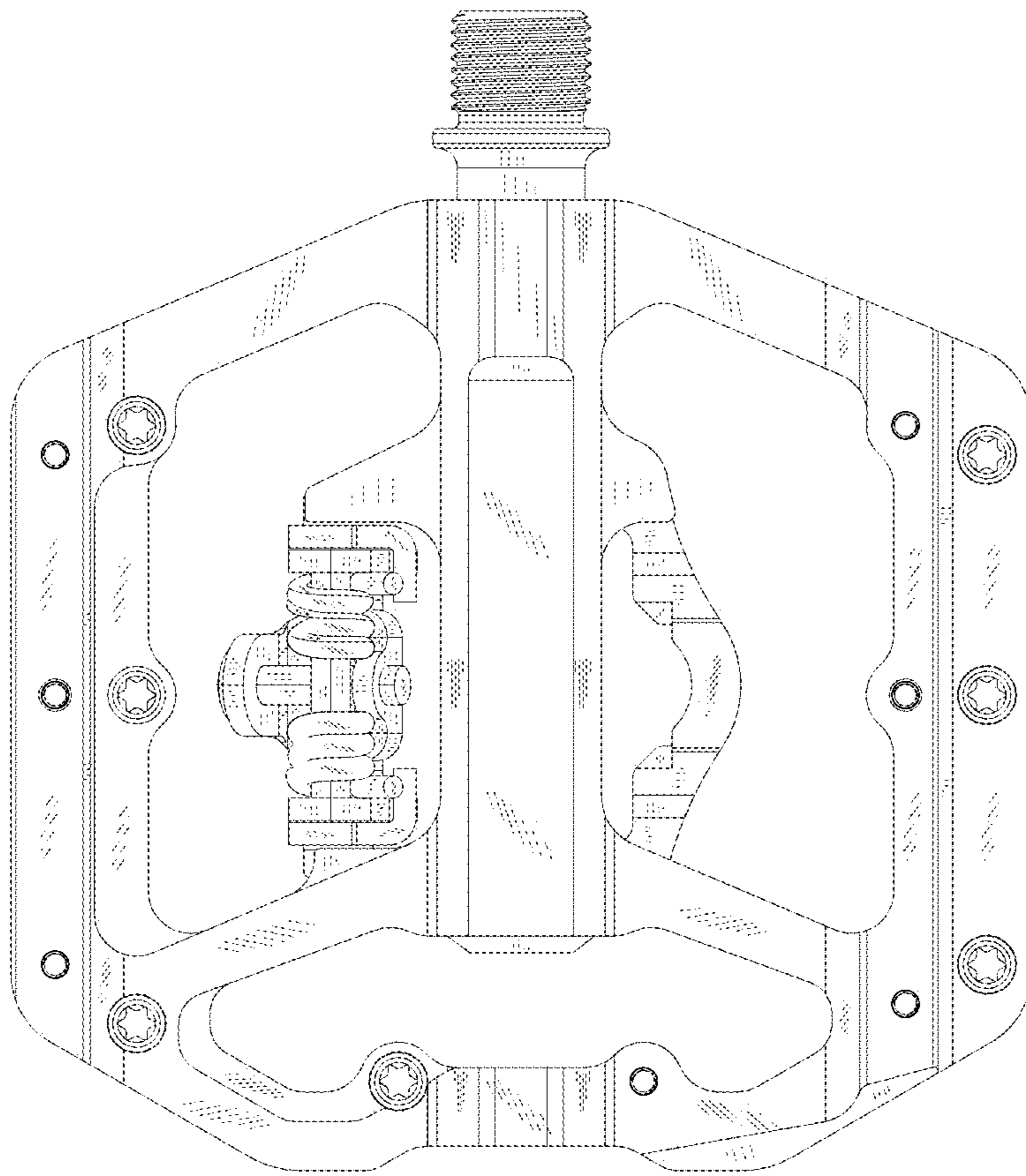


FIG.2

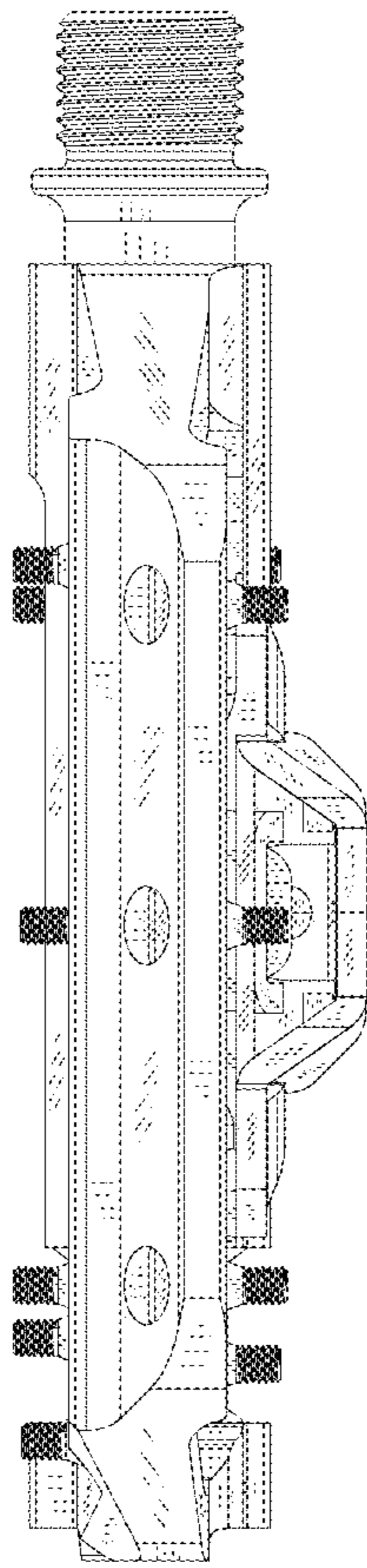


FIG.3

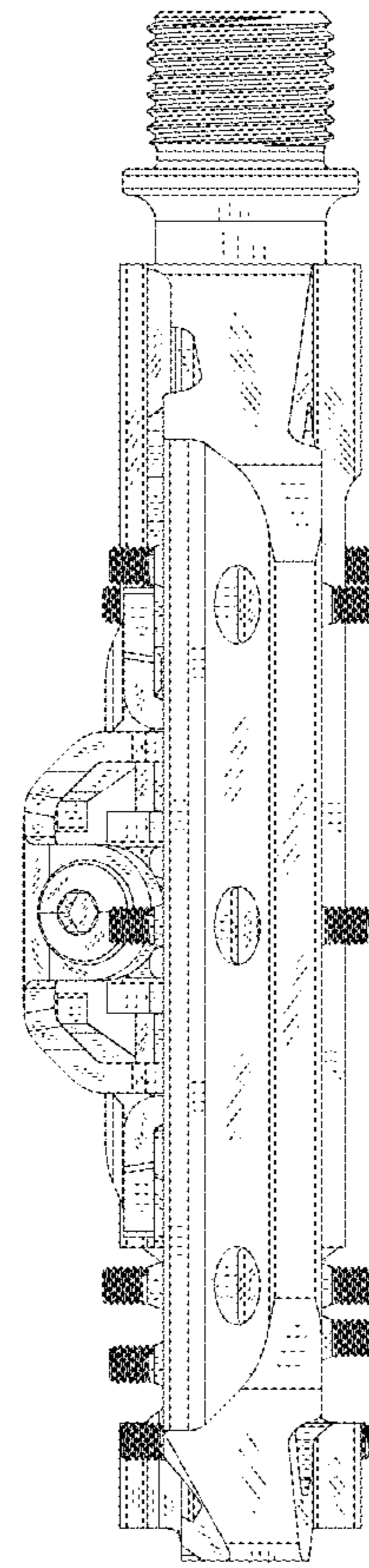


FIG.4

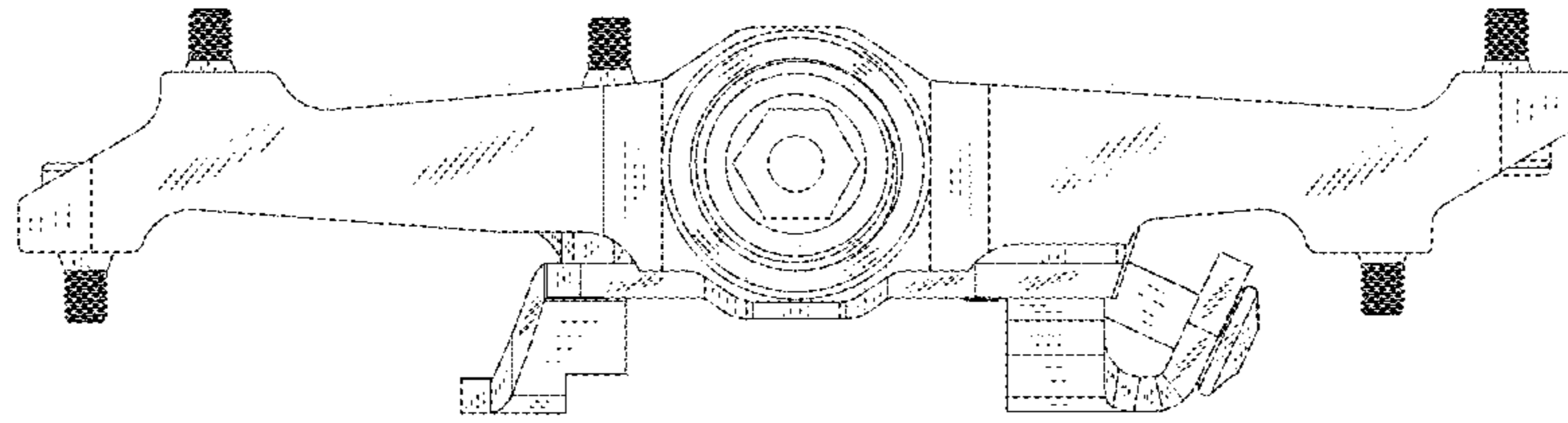


FIG.5

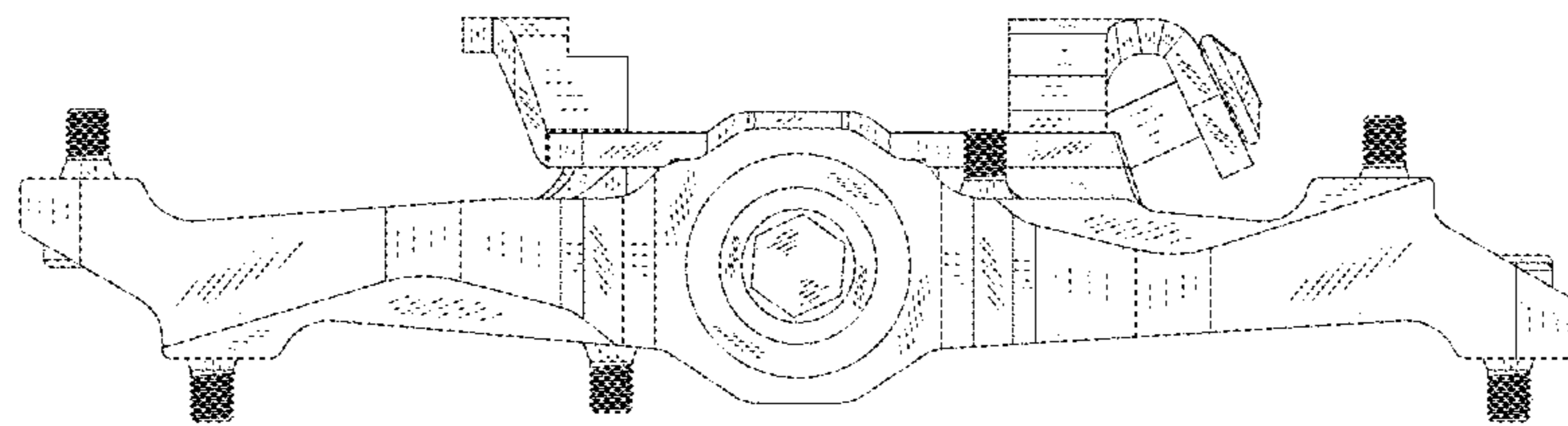


FIG.6

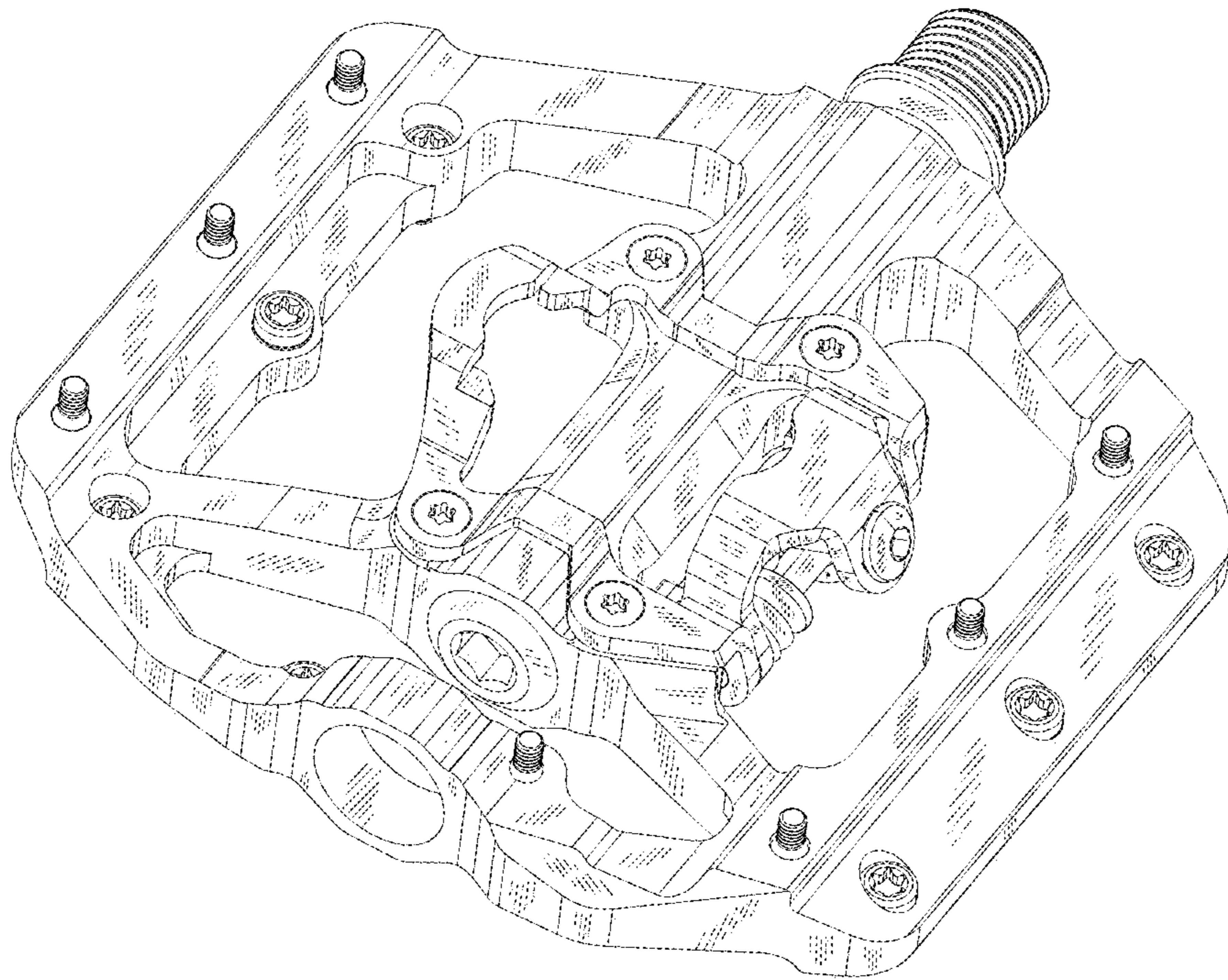


FIG. 7