



US00D973550S

(12) **United States Design Patent** (10) **Patent No.:** **US D973,550 S**
Liu (45) **Date of Patent:** **** Dec. 27, 2022**

(54) **ELECTRIC BICYCLE**
(71) Applicant: **Shenzhen happyrun Intelligent Technology Co., Ltd., Shenzhen (CN)**
(72) Inventor: **Jun Liu, Jingzhou (CN)**
(73) Assignee: **Shenzhen happyrun Intelligent Technology Co., Ltd., Shenzhen (CN)**
(**) Term: **15 Years**

D920,169 S * 5/2021 Li D12/111
D924,102 S * 7/2021 Avery D12/111
D925,406 S * 7/2021 Lin D12/111
D928,668 S * 8/2021 Li D12/111
D933,538 S * 10/2021 Chen D12/111
D934,120 S * 10/2021 Zhu D12/111
D948,384 S * 4/2022 Cai D12/111
D960,052 S * 8/2022 Chen
D960,054 S * 8/2022 Yang D12/111
D960,769 S * 8/2022 Chen D12/111
2013/0001000 A1* 1/2013 Krieger B62M 6/45
180/206.3
2014/0076650 A1* 3/2014 Kim B62K 3/10
180/220

(21) Appl. No.: **29/851,203**

(Continued)

(22) Filed: **Aug. 26, 2022**

(51) **LOC (13) Cl.** **12-11**

(52) **U.S. Cl.**
USPC **D12/111**

(58) **Field of Classification Search**
USPC D12/111, 117; D21/412, 414, 419,
D21/423-428, 431-435
CPC B62K 3/00; B62K 3/02; B62K 3/06
See application file for complete search history.

(56) **References Cited**

U.S. PATENT DOCUMENTS

D586,265 S * 2/2009 Lin D12/111
D643,785 S * 8/2011 Kyu D12/111
D650,724 S * 12/2011 Chiang D21/432
D654,403 S * 2/2012 Kyu D12/111
D659,597 S * 5/2012 Chen B62K 9/00
D21/432
D672,690 S * 12/2012 Augustin D12/111
D685,683 S * 7/2013 Shaw D12/111
D780,637 S * 3/2017 Shao D12/111
D784,206 S * 4/2017 Zhang D12/111
D807,232 S * 1/2018 Bailie D21/432
D833,333 S * 11/2018 Yu D12/111
D843,269 S * 3/2019 Shi D12/111
D914,548 S * 3/2021 Chen D12/111
D914,549 S * 3/2021 Chen D12/111
D917,349 S * 4/2021 Fan D12/111

OTHER PUBLICATIONS

Happyrun. "HR G50." YouTube., Nov. 1, 2022 [online], [retrieved on Nov. 2, 2022]. Retrieved from the Internet <URL: <https://www.youtube.com/watch?v=pQb1SIF9STc>>.*

(Continued)

Primary Examiner — Darlington Ly

(74) *Attorney, Agent, or Firm* — Nitin Kaushik

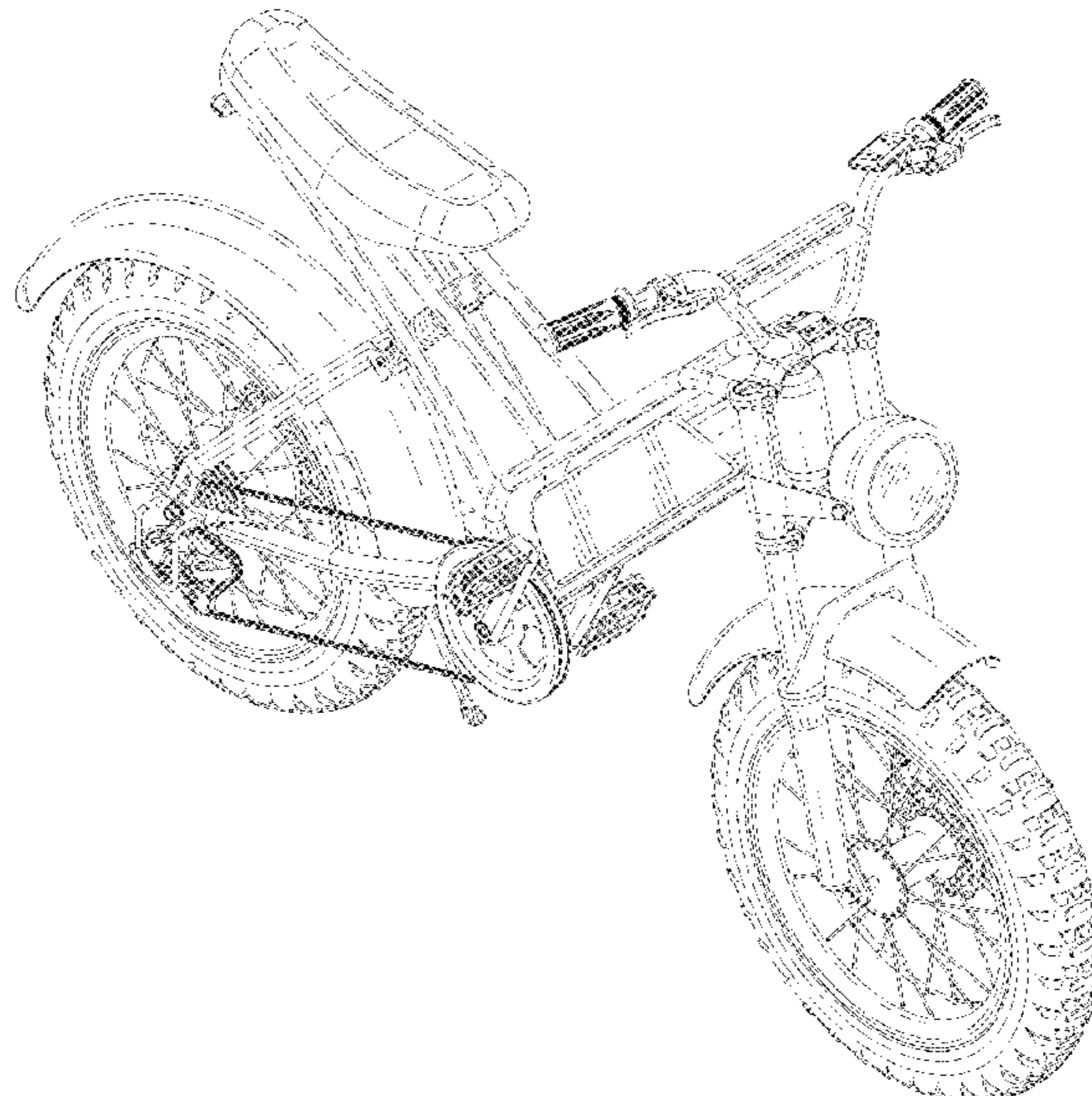
(57) **CLAIM**

The ornamental design for are electric bicycle, as shown and described.

DESCRIPTION

FIG. 1 is a front perspective view of an electric bicycle embodying my new design;
FIG. 2 is a front elevation view thereof;
FIG. 3 is a rear elevation view thereof;
FIG. 4 is a right side elevation view thereof;
FIG. 5 is a left side elevation view thereof;
FIG. 6 is a top plan view thereof;
FIG. 7 is a bottom plan view thereof; and,
FIG. 8 is a rear perspective view thereof.

1 Claim, 8 Drawing Sheets



(56)

References Cited

U.S. PATENT DOCUMENTS

2014/0076652 A1* 3/2014 Kim B62K 15/006
180/220
2016/0075400 A1* 3/2016 Ragland B62K 9/00
29/401.1
2022/0194519 A1* 6/2022 Denysenko B62J 43/13

OTHER PUBLICATIONS

Gogobest. "Niubility B14 E-Bike Electric Bicycle 15Ah 48V 400W 14 Inches Folding Moped Bicycle 25km/h Top Speed." YouTube., Oct. 24, 2020 [online], [retrieved on Nov. 2, 2022]. Retrieved from the Internet <URL: https://www.youtube.com/watch?v=oEUORg_2PU8>.*

BK42. "Dohiker Y1 Review—\$479 Cheap Folding Ebike—Small Electric Bicycle for Adults." YouTube., Feb. 27, 2021 [online], [retrieved on Nov. 2, 2022]. Retrieved from the Internet <URL: <https://www.youtube.com/watch?v=S3Dq4W25jRA>>.*

Josh Cordova. "Gyroor C3 E-Bike Full Review." YouTube., May 2, 2021 [online], [retrieved on Nov. 2, 2022]. Retrieved from the Internet <URL: <https://www.youtube.com/watch?v=jA-H7ZdAxXk>>.*

* cited by examiner

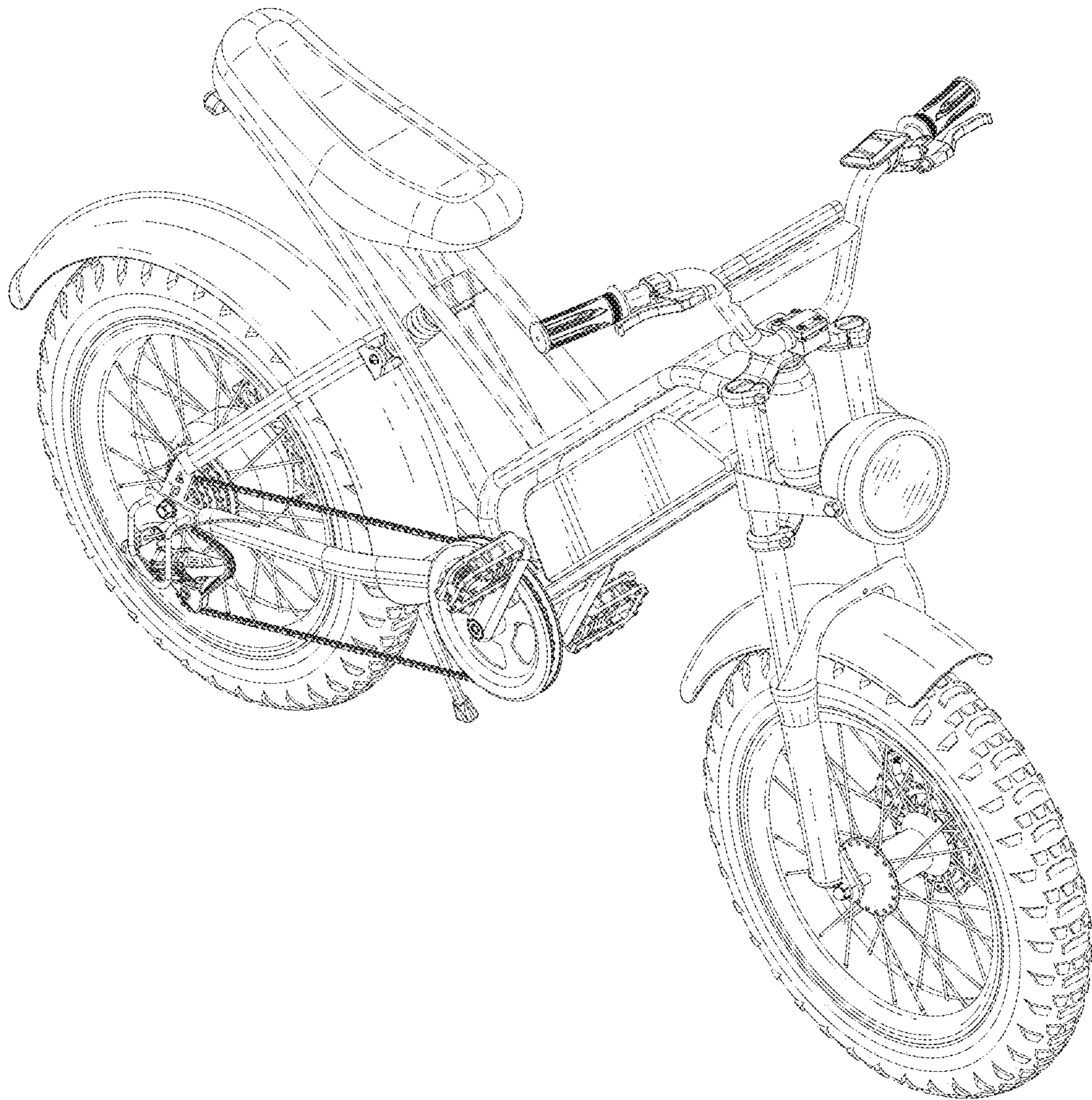


FIG. 1

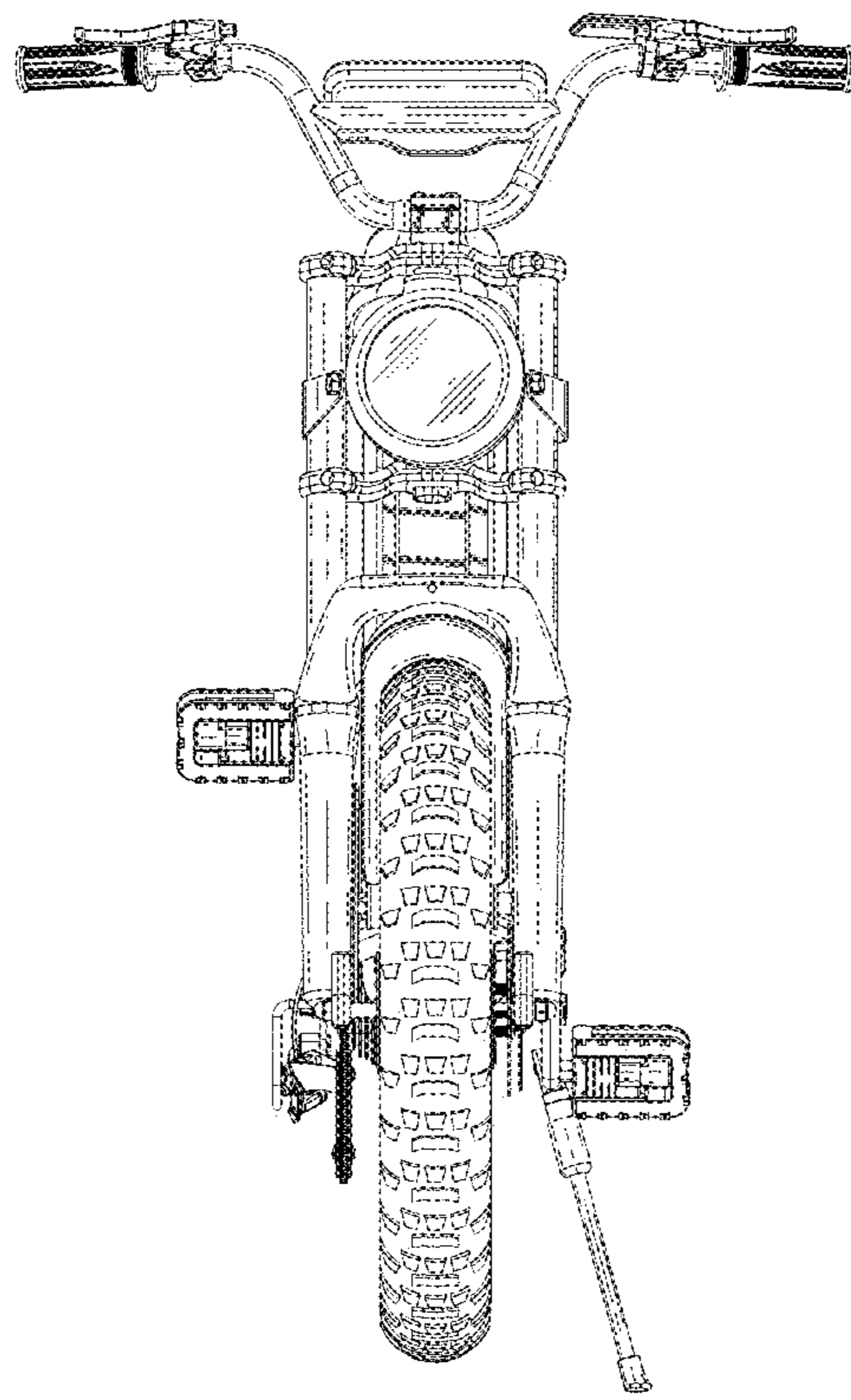


FIG. 2

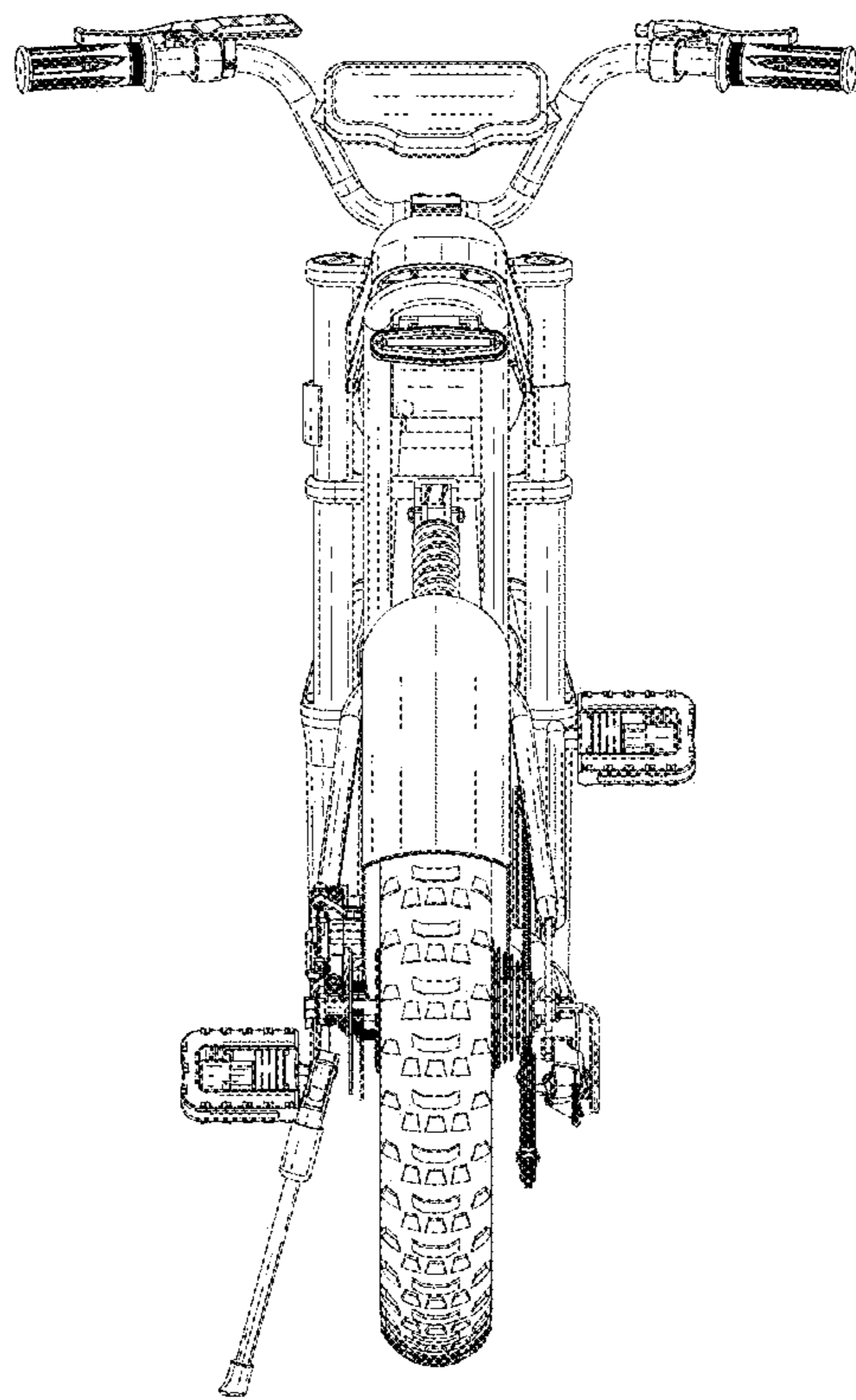


FIG. 3

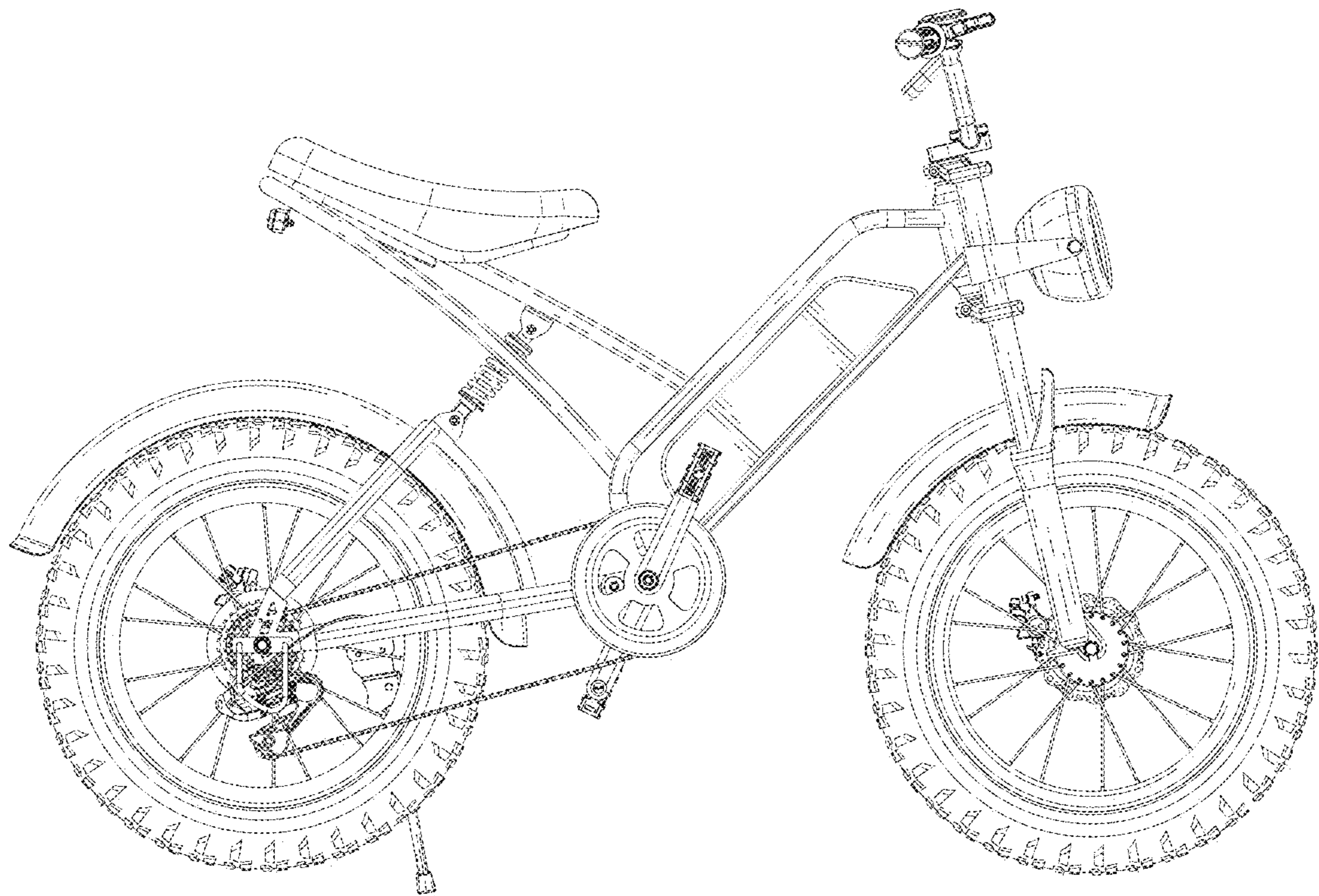


FIG. 4

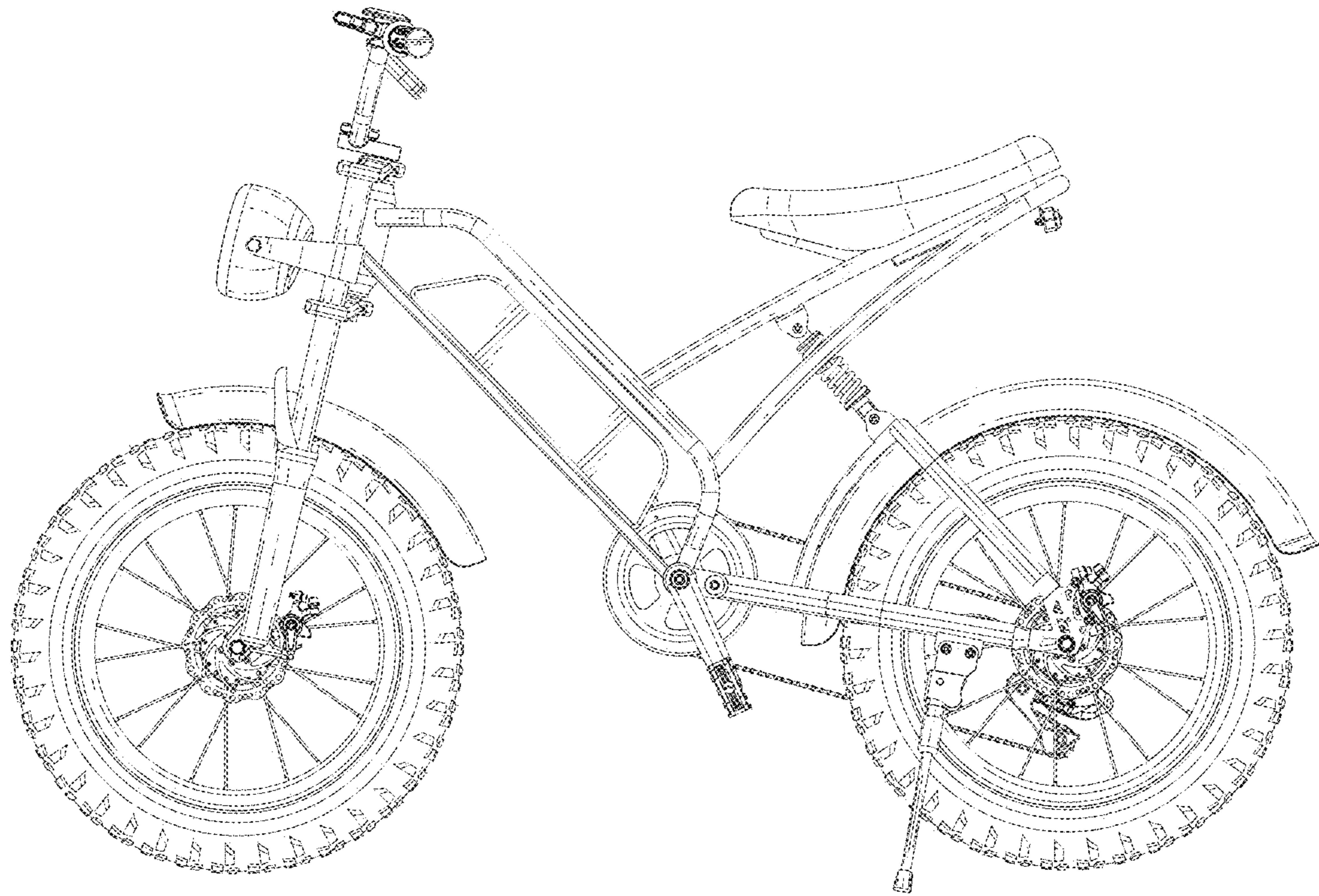


FIG. 5

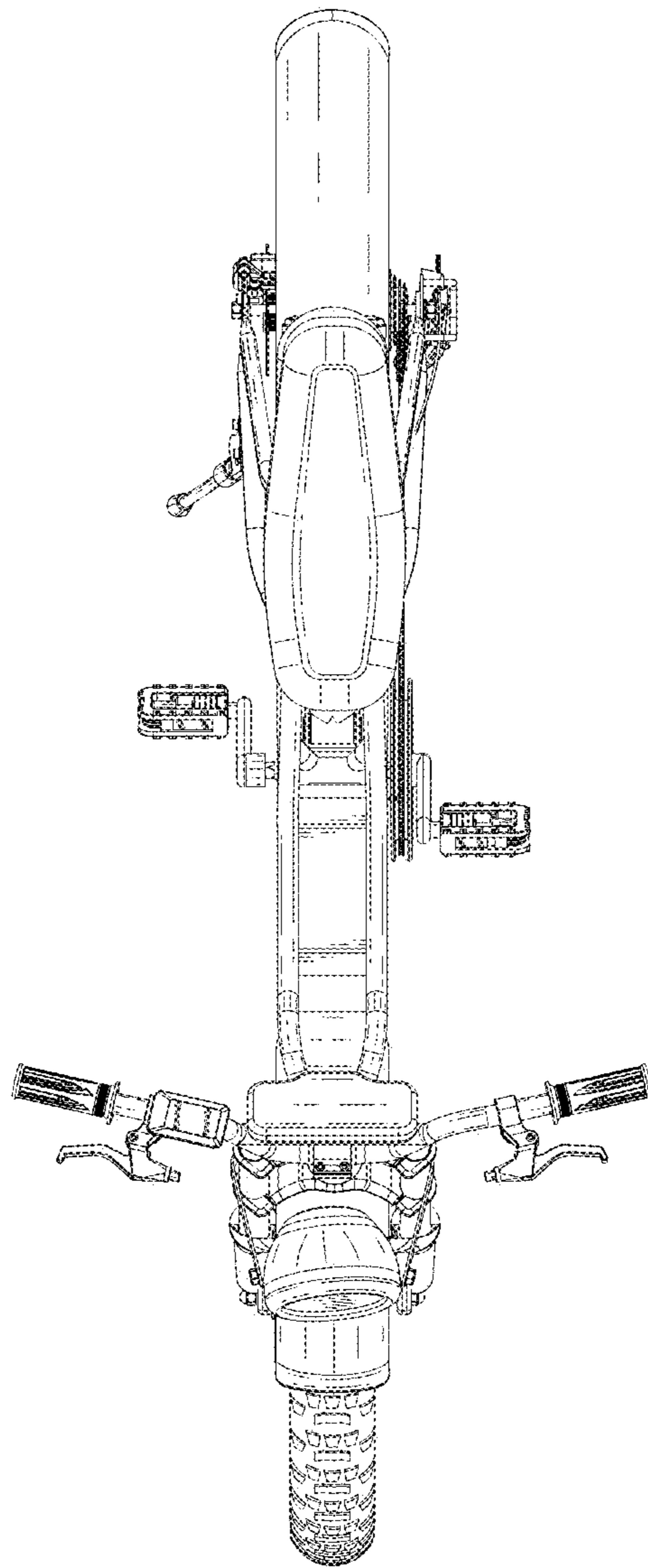


FIG. 6

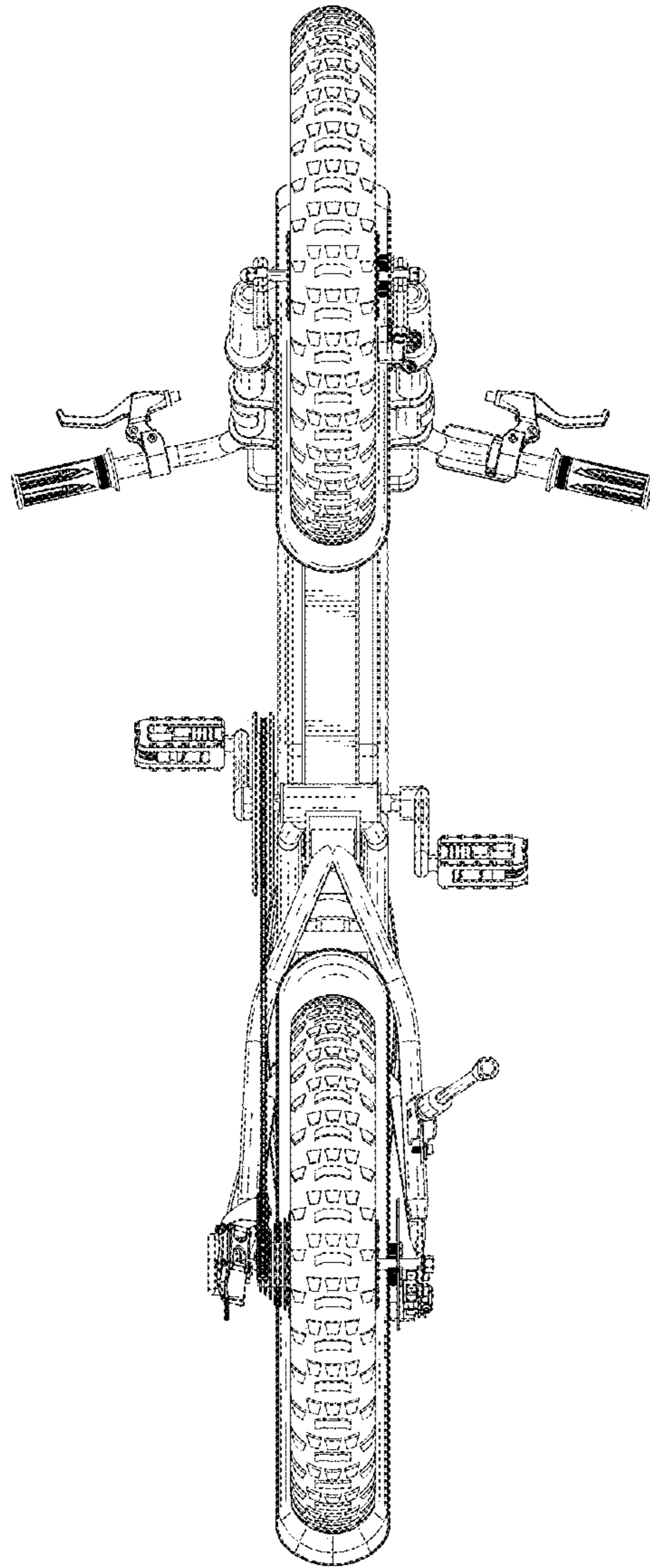


FIG. 7

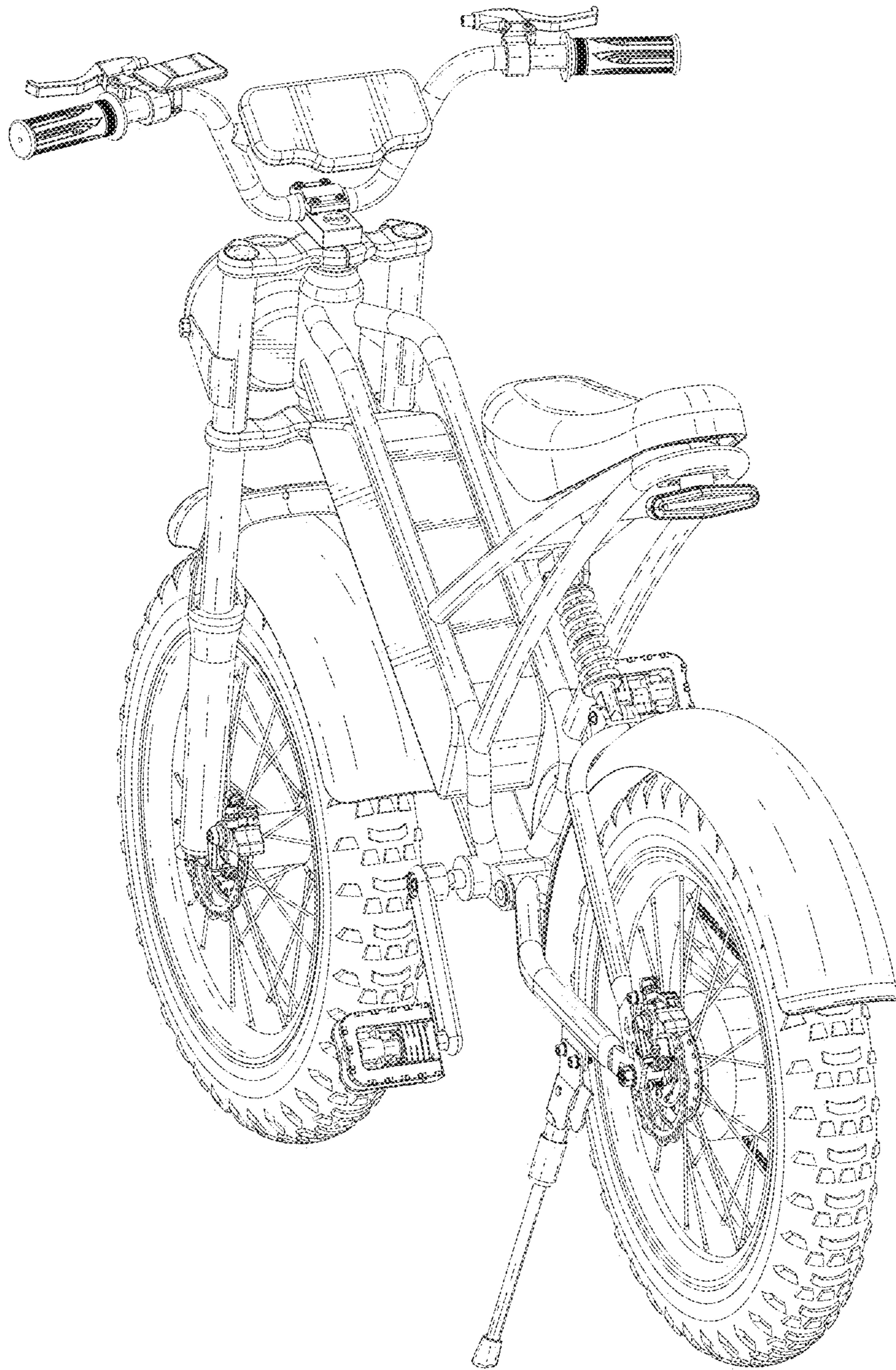


FIG. 8