



US00D973546S

(12) **United States Design Patent** (10) **Patent No.:** **US D973,546 S**  
**Badstuebner et al.** (45) **Date of Patent:** **\*\* Dec. 27, 2022**

(54) **MOTOR VEHICLE BODY, TOY REPLICA,  
AND/OR OTHER REPLICA**

(71) Applicant: **Mercedes-Benz Group AG**, Stuttgart  
(DE)

(72) Inventors: **Achim-Dietrich Badstuebner**,  
Sindelfingen (DE); **Mark Fetherston**,  
Stuttgart (DE); **Jean-Francois Huet**,  
Grasse (FR); **Teckkoun Kim**,  
Boeblingen (DE); **Robert Lesnik**,  
Leonberg (DE); **Dalibor Vidojkovic**,  
Affalterbach (DE); **Gorden Wagener**,  
Wangen (DE)

(73) Assignee: **Mercedes-Benz Group AG**, Stuttgart  
(DE)

(\*\*) Term: **15 Years**

(21) Appl. No.: **29/782,507**

(22) Filed: **May 7, 2021**

(30) **Foreign Application Priority Data**

Nov. 10, 2020 (DE) ..... 402020203999.7

(51) **LOC (13) Cl.** ..... **12-08**

(52) **U.S. Cl.**  
USPC ..... **D12/92**

(58) **Field of Classification Search**  
USPC ..... D12/86, 90-92, 88, 164; D21/424, 433,  
D21/434, 533, 535; 296/181.1-181.5,  
296/183.1

CPC ..... B62D 25/00; B62D 25/06; B62D 33/00;  
B62D 35/00

See application file for complete search history.

(56) **References Cited**

**U.S. PATENT DOCUMENTS**

D813,726 S \* 3/2018 Tanghe ..... D12/91  
D813,727 S \* 3/2018 Beermann ..... D12/92

D821,919 S \* 7/2018 Simm ..... D12/91  
D825,383 S \* 8/2018 Luk ..... D12/91  
D825,390 S \* 8/2018 Al Attar ..... D12/92  
D826,783 S \* 8/2018 Badstuebner ..... D12/92  
D827,497 S \* 9/2018 Frei ..... D12/91  
D827,514 S \* 9/2018 Badstuebner ..... D12/164  
D831,540 S \* 10/2018 Buckingham ..... D12/92  
D836,490 S \* 12/2018 Futschik ..... D12/92  
D837,692 S \* 1/2019 Badstuebner ..... D12/91  
D860,880 S \* 9/2019 Huet ..... D12/91  
D862,287 S \* 10/2019 Badstuebner ..... D12/91  
D873,715 S \* 1/2020 Badstuebner ..... D12/91  
D873,716 S \* 1/2020 Badstuebner ..... D12/91

(Continued)

*Primary Examiner* — Melody N Brown

(74) *Attorney, Agent, or Firm* — Crowell & Moring LLP

(57) **CLAIM**

The ornamental design for a motor vehicle body, toy replica and/or other replica, as shown and described.

**DESCRIPTION**

This application contains subject matter related to the following co-pending U.S. design patent application:

Application Ser. No. 29/722,598, filed Jan. 31, 2020 and entitled "Motor Vehicle Body, Toy Replica and/or Other Replica".

FIG. 1 is a left, front perspective view of a motor vehicle body, toy replica and/or other replica according to the design;

FIG. 2 is a left, rear perspective view thereof;

FIG. 3 is a front view thereof;

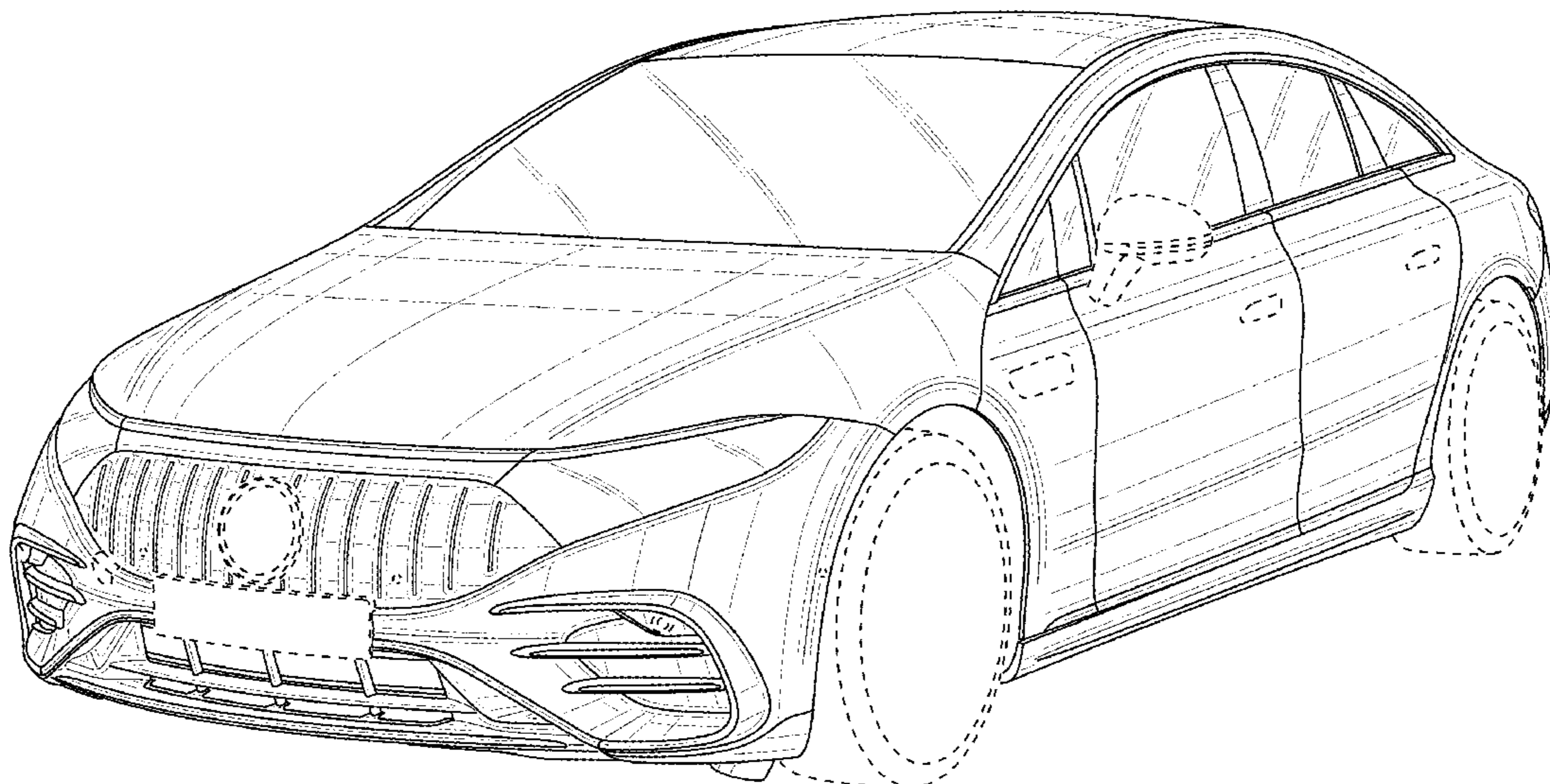
FIG. 4 is a rear view thereof;

FIG. 5 is a right side view thereof; and,

FIG. 6 is a left side view thereof.

The broken lines shown throughout the drawing views are for environmental and illustrative purposes and form no part of the claimed design.

**1 Claim, 6 Drawing Sheets**



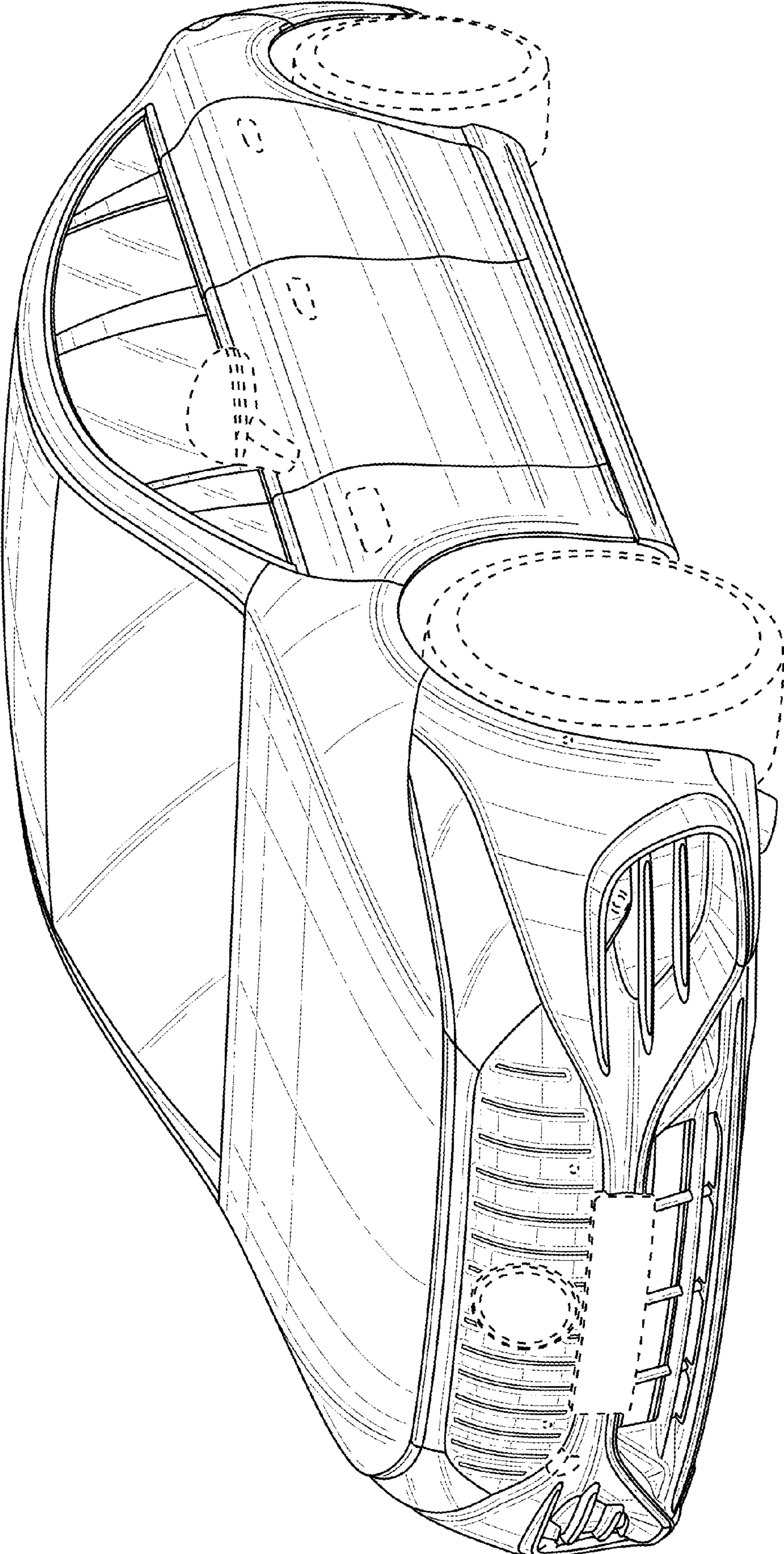
(56)

**References Cited**

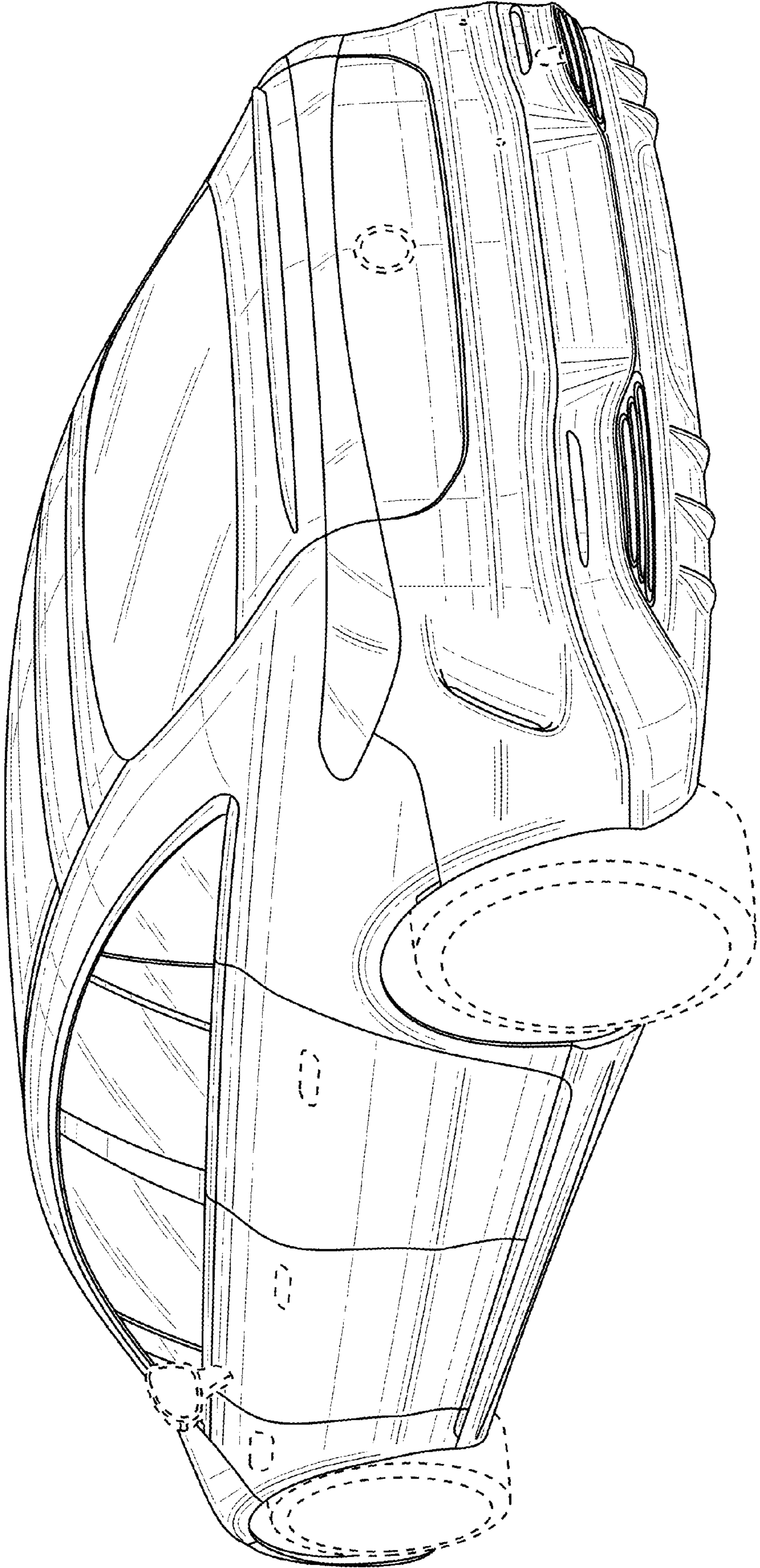
U.S. PATENT DOCUMENTS

D886,679	S	*	6/2020	Hellwig	.....	D12/91
D888,623	S	*	6/2020	Vidojkovic	.....	D12/164
D898,622	S	*	10/2020	Wittinger	.....	D12/92
D941,709	S	*	1/2022	Badstuebner	.....	D12/92
D944,688	S	*	3/2022	Badstuebner	.....	D12/92

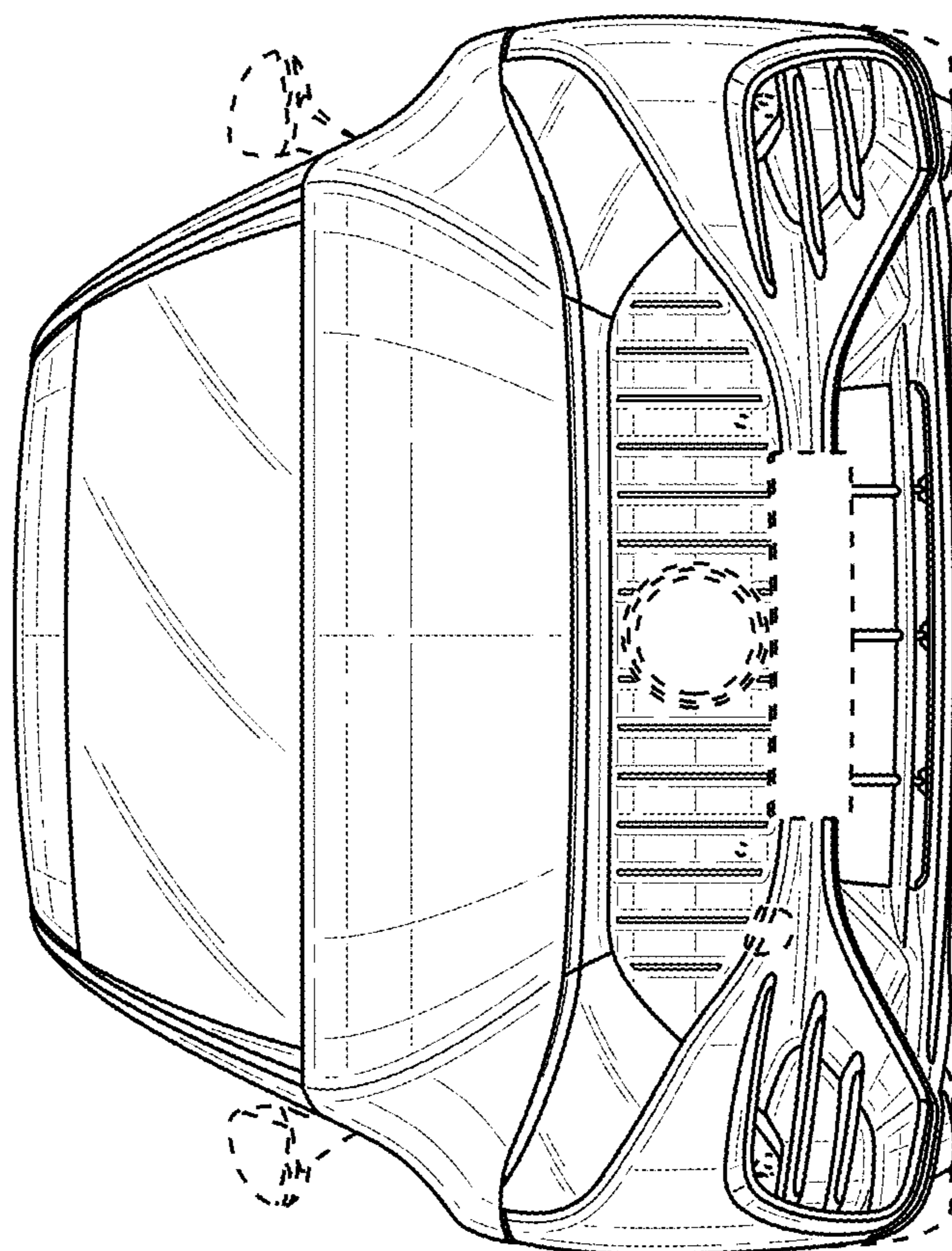
\* cited by examiner



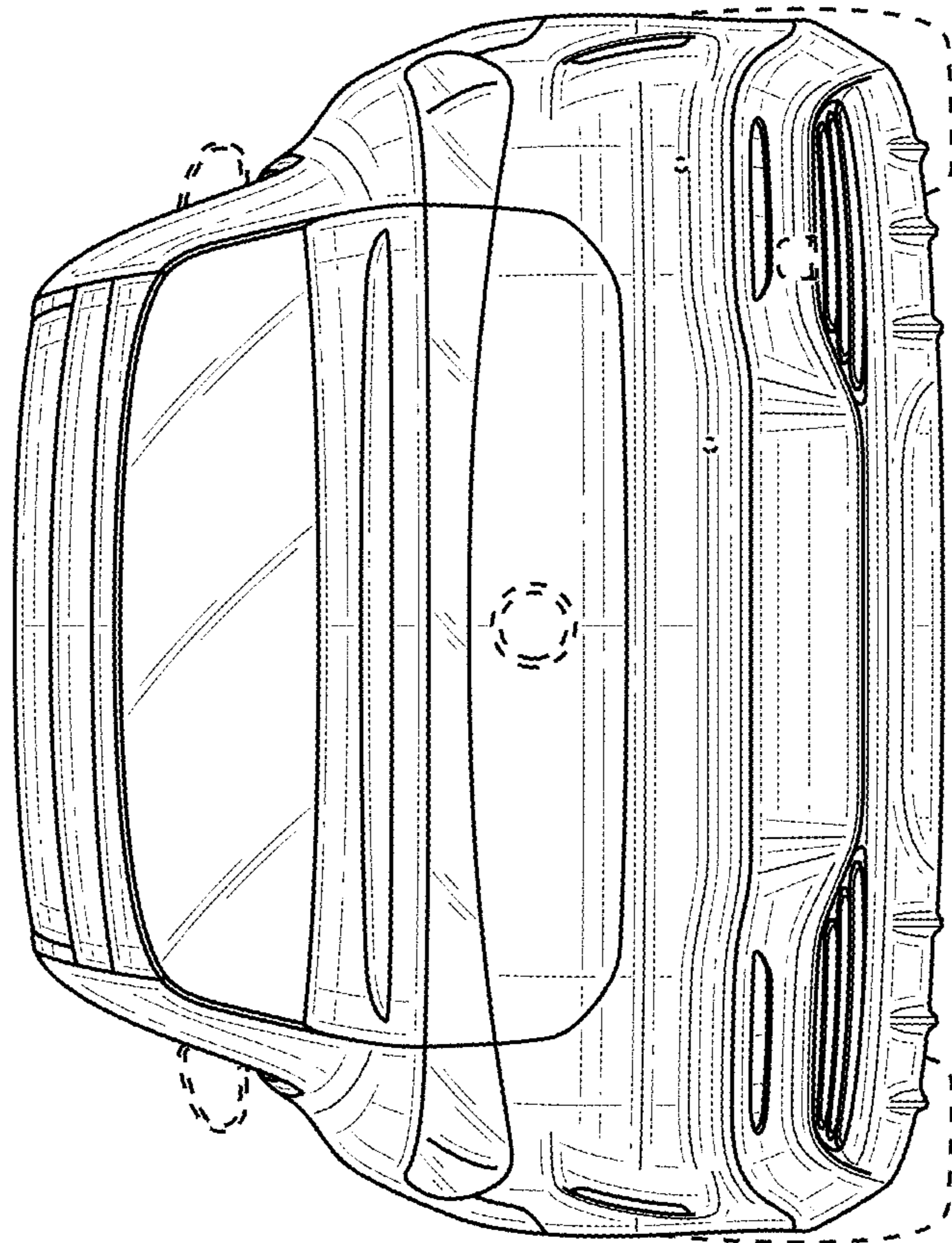
**FIG. 1**



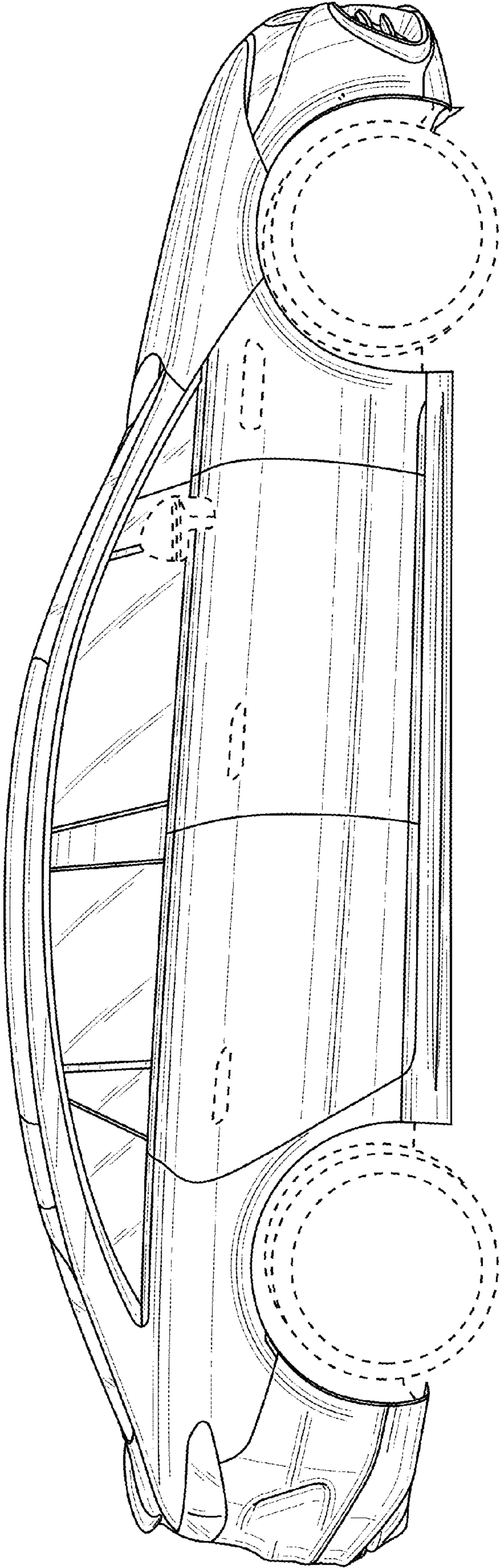
**FIG. 2**



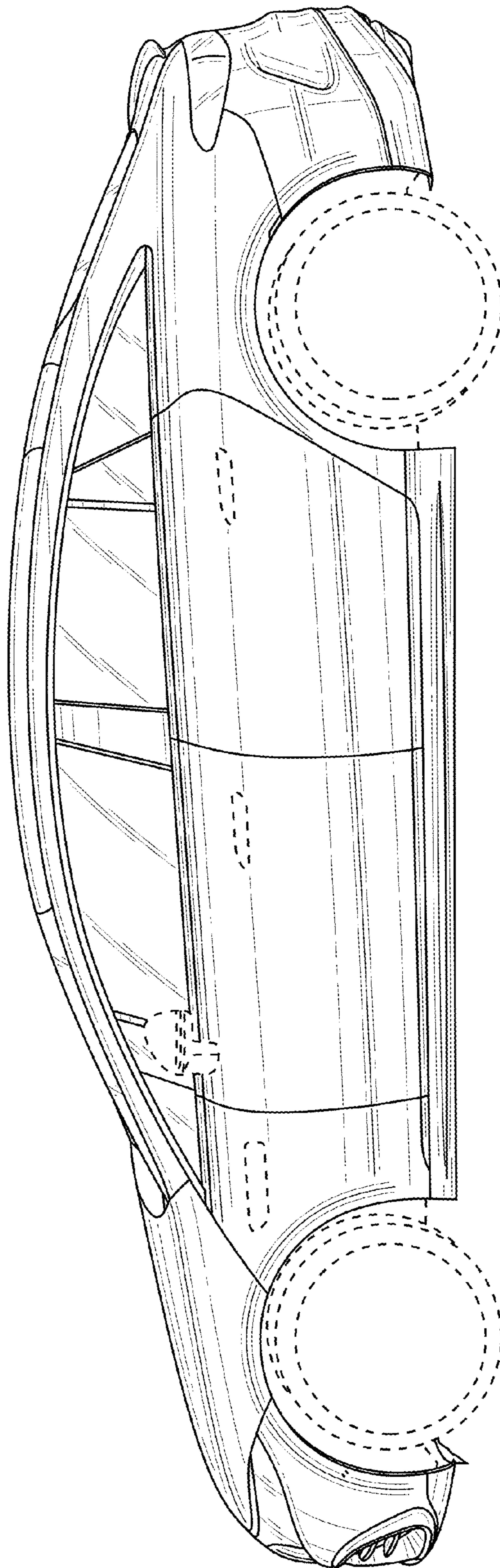
**FIG. 3**



**FIG. 4**



**FIG. 5**



**FIG. 6**