



US00D973544S

(12) **United States Design Patent**
Xu et al.

(10) **Patent No.:** **US D973,544 S**

(45) **Date of Patent:** **** Dec. 27, 2022**

(54) **KART**

(71) Applicant: **ZHEJIANG TAOTAO VEHICLES CO., LTD**, Zhejiang (CN)

(72) Inventors: **Jie Xu**, Zhejiang (CN); **Guidong Lou**, Zhejiang (CN); **Junhui Li**, Zhejiang (CN); **Yali Ying**, Zhejiang (CN); **Weihao Liu**, Zhejiang (CN)

(73) Assignee: **ZHEJIANG TAOTAO VEHICLES CO., LTD**, Zhejiang (CN)

(**) Term: **15 Years**

(21) Appl. No.: **29/771,547**

(22) Filed: **Feb. 24, 2021**

(30) **Foreign Application Priority Data**

Dec. 4, 2020 (CN) 202030747420.2

(51) **LOC (13) Cl.** **12-08**

(52) **U.S. Cl.**
USPC **D12/87**

(58) **Field of Classification Search**
USPC D12/3, 4, 5, 14, 85, 86, 87, 107, 110
CPC ... B60K 5/00; B60K 5/02; B60K 5/04; B60K 13/02; B60K 13/04; B60K 17/00; B60K 17/06; B60K 17/08; B60K 17/22; B62D 1/04; B62D 1/18; B62D 3/12; B62D 5/0403; B62D 21/11; B62D 21/18; B62D 21/183; B62D 23/005; B62D 25/24
See application file for complete search history.

(56) **References Cited**

U.S. PATENT DOCUMENTS

D286,760 S * 11/1986 Ooba D12/87
D301,849 S * 6/1989 Oba D12/87
D312,989 S * 12/1990 Murata D12/87

D327,237 S * 6/1992 Miyamoto D12/87
D467,200 S * 12/2002 Luo D12/87
D500,707 S * 1/2005 Lu D12/87
D503,658 S * 4/2005 Lu D12/87
D549,133 S * 8/2007 LePage D12/87
D574,297 S * 8/2008 Carl D12/87
D682,739 S * 5/2013 Patterson D12/87
D705,127 S * 5/2014 Patterson D12/87
D739,304 S * 9/2015 Brown D12/87
9,327,587 B2 * 5/2016 Spindler B60R 21/13
D762,522 S * 8/2016 Kinoshita D12/87
D804,993 S * 12/2017 Eck D12/87
D805,009 S * 12/2017 Eck D12/171
D805,015 S * 12/2017 Eck D12/196

(Continued)

OTHER PUBLICATIONS

“Polaris RZR—2023 Accessories, Garage, & Apparel.” Polaris., Jul. 20, 2022 [online], [retrieved on Aug. 5, 2022]. Retrieved from the Internet <URL: <https://offroad.polaris.com/en-us/catalogs/>>.*

(Continued)

Primary Examiner — Darlington Ly

(74) Attorney, Agent, or Firm — JCIP Global Inc.

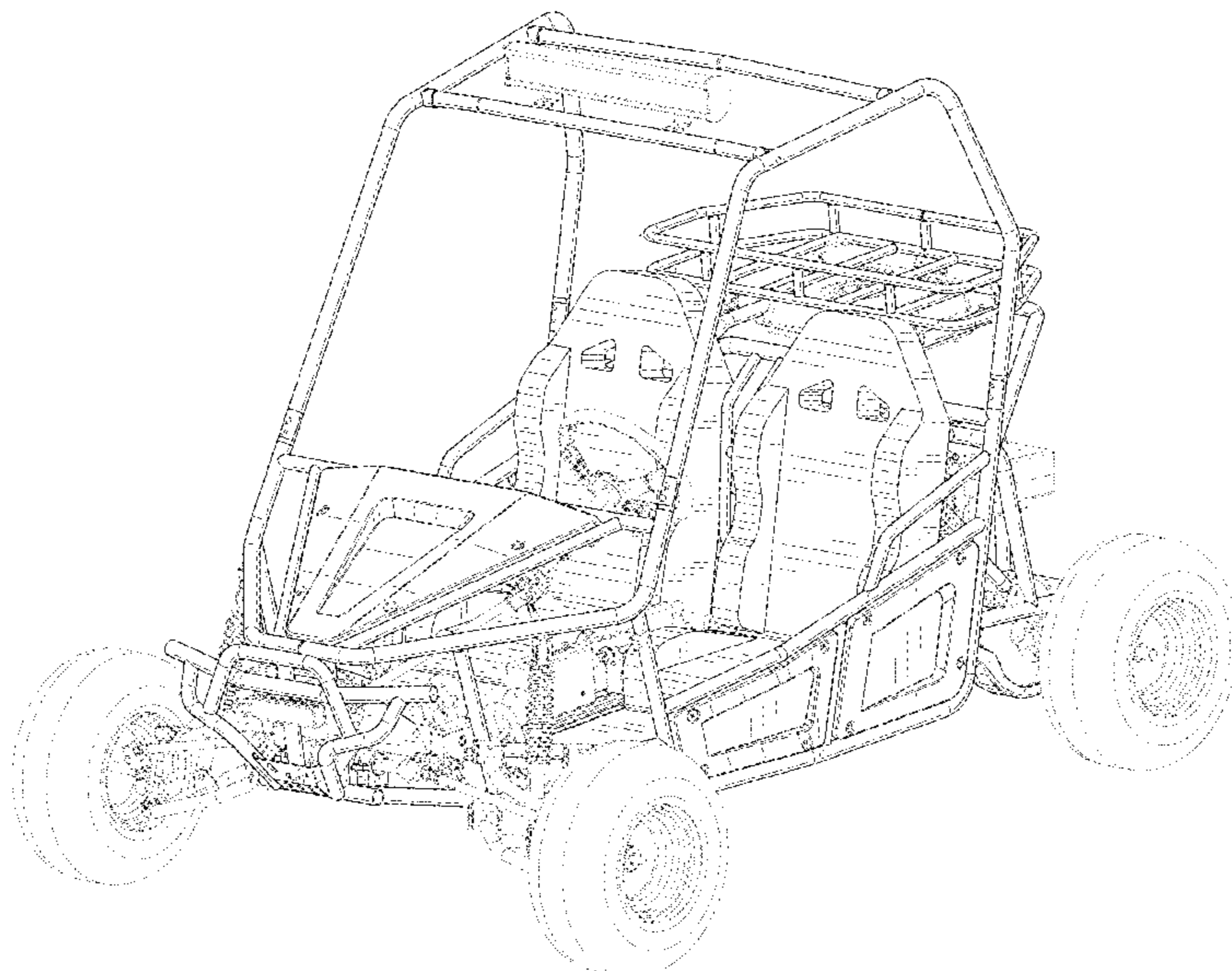
(57) **CLAIM**

The ornamental design for a kart, as shown and described.

DESCRIPTION

FIG. 1 is a perspective view of a kart embodying our new design;
FIG. 2 is a front elevation view thereof;
FIG. 3 is a rear elevation view thereof;
FIG. 4 is a left side elevation view thereof;
FIG. 5 is a right side elevation view thereof;
FIG. 6 is a top plan view thereof; and,
FIG. 7 is a bottom plan view thereof.
The broken lines in the drawings illustrate portions of the kart that form no part of the claimed design.

1 Claim, 7 Drawing Sheets



(56)

References Cited

U.S. PATENT DOCUMENTS

D835,545 S * 12/2018 Hanten D12/87
D927,355 S * 8/2021 Mikhailov D12/87
11,173,808 B2 * 11/2021 Swain F01P 5/02
2019/0031260 A1 * 1/2019 Filion B23P 6/00
2021/0094627 A1 * 4/2021 Clark B60N 2/0717
2021/0354542 A1 * 11/2021 Schleif F02F 7/0021
2021/0354760 A1 * 11/2021 Schleif F02B 5/00

OTHER PUBLICATIONS

“Owner’s Manual—KT196.” Coleman., Jul. 29, 2021 [online],
[retrieved on Aug. 5, 2022]. Retrieved from the Internet <URL:
[https://3546502.app.netsuite.com/core/media/media.nl?id=350114
&c=35465028h=E_ems_
nO5Aotnpy9y1QMRpymHdZzLbBARMfUfltrNAQmPLJA&_xt=
pdf](https://3546502.app.netsuite.com/core/media/media.nl?id=350114&c=35465028h=E_ems_nO5Aotnpy9y1QMRpymHdZzLbBARMfUfltrNAQmPLJA&_xt=.pdf)>.*

* cited by examiner

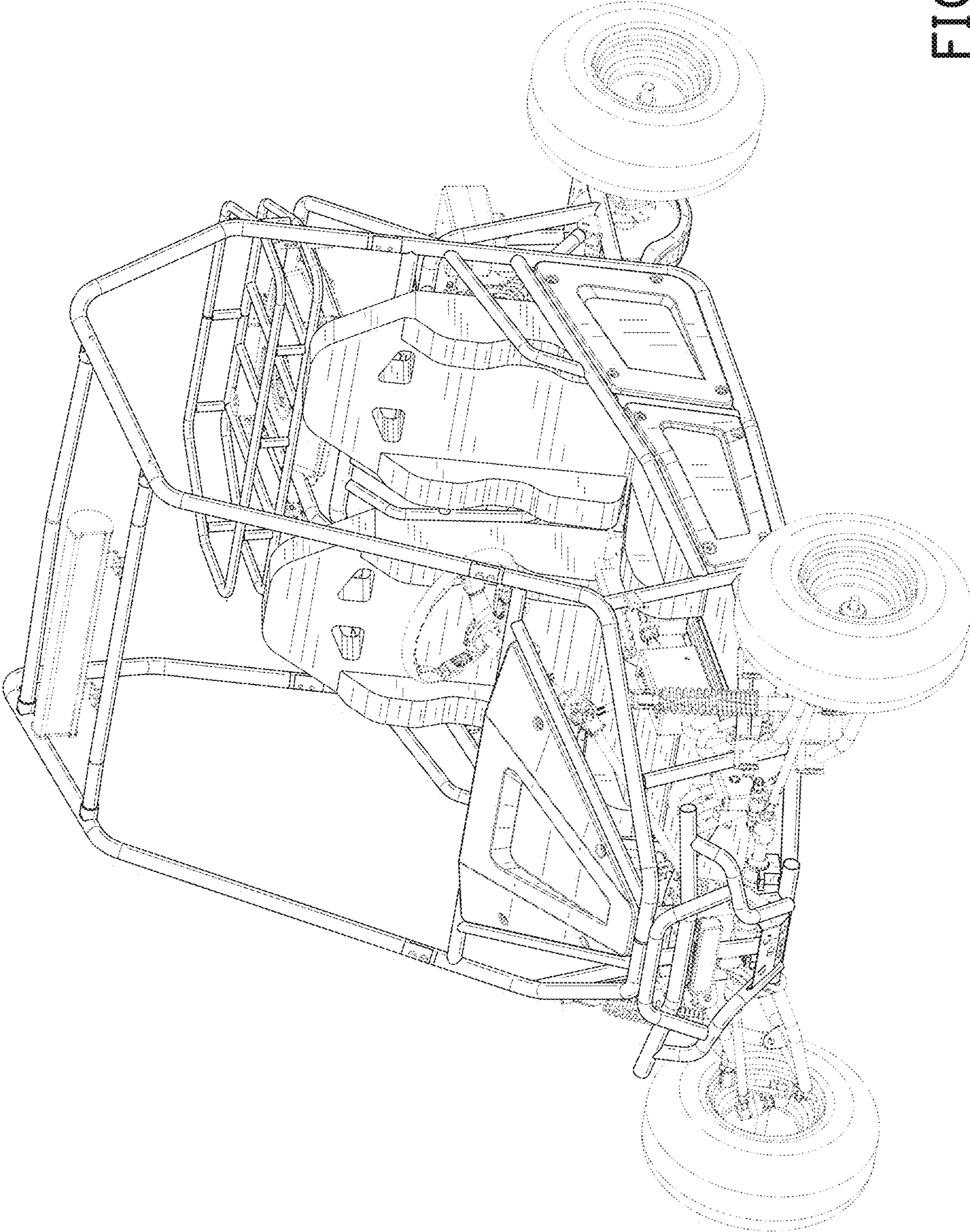


FIG. 1

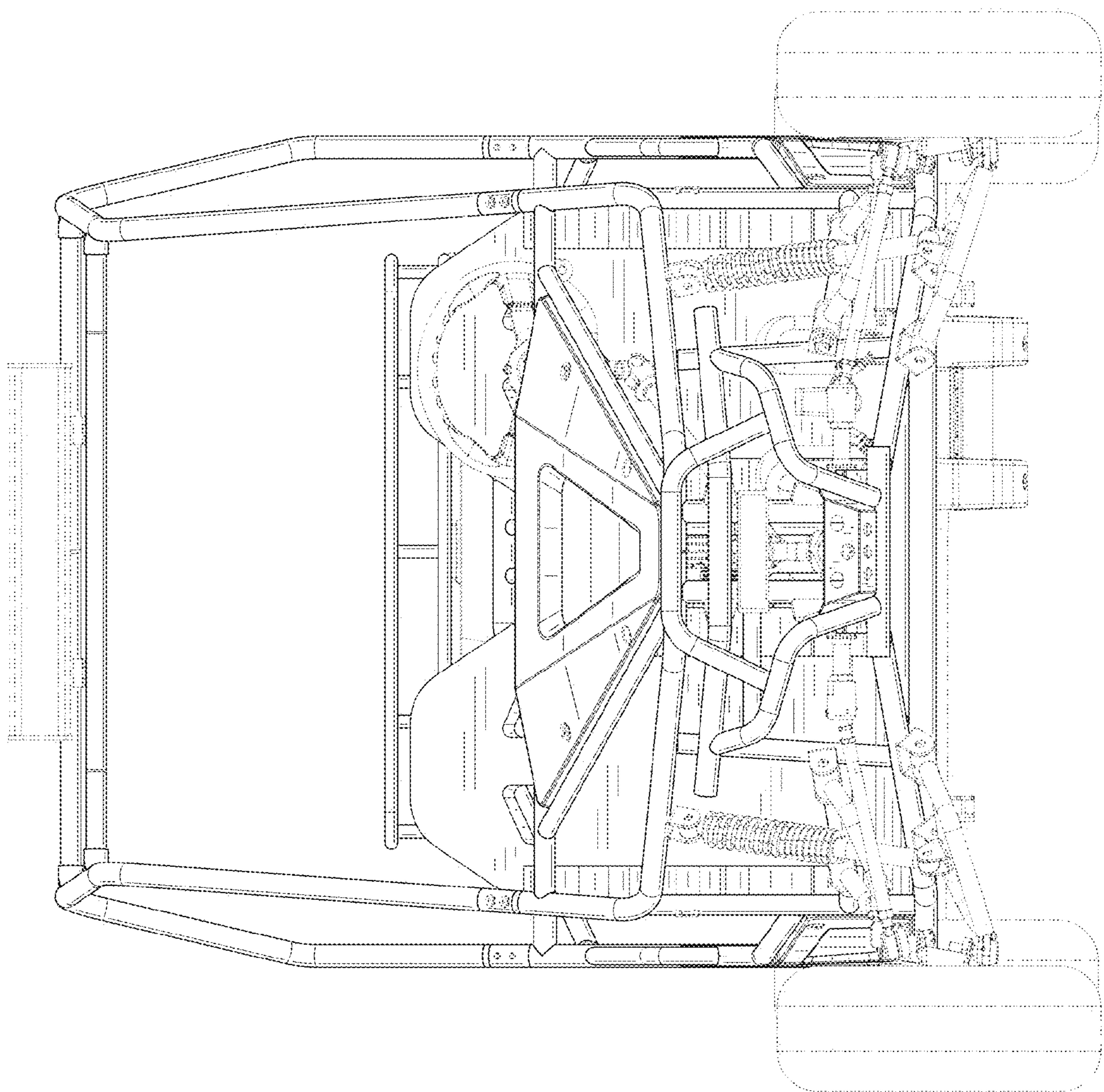


FIG. 2

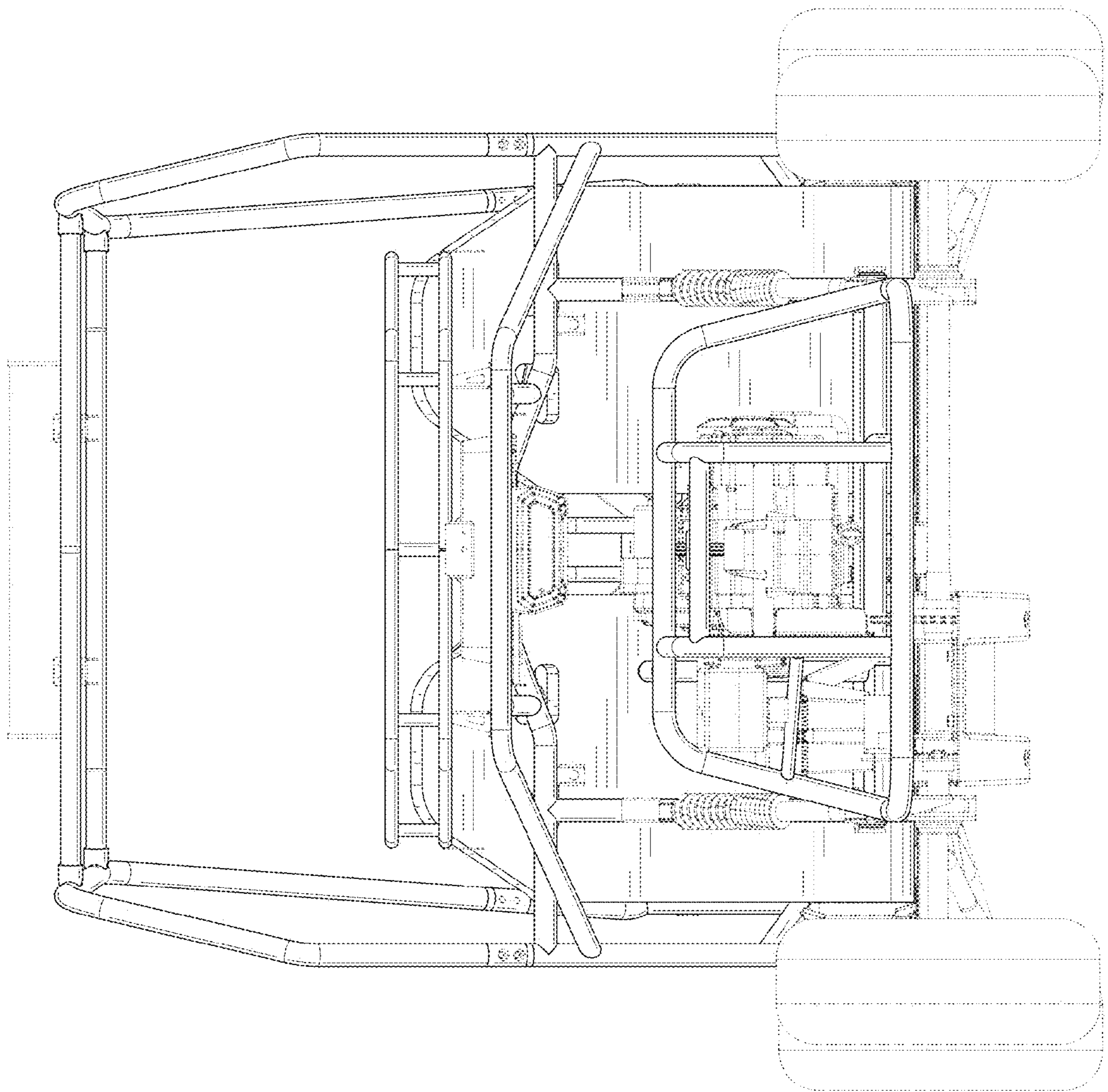


FIG. 3

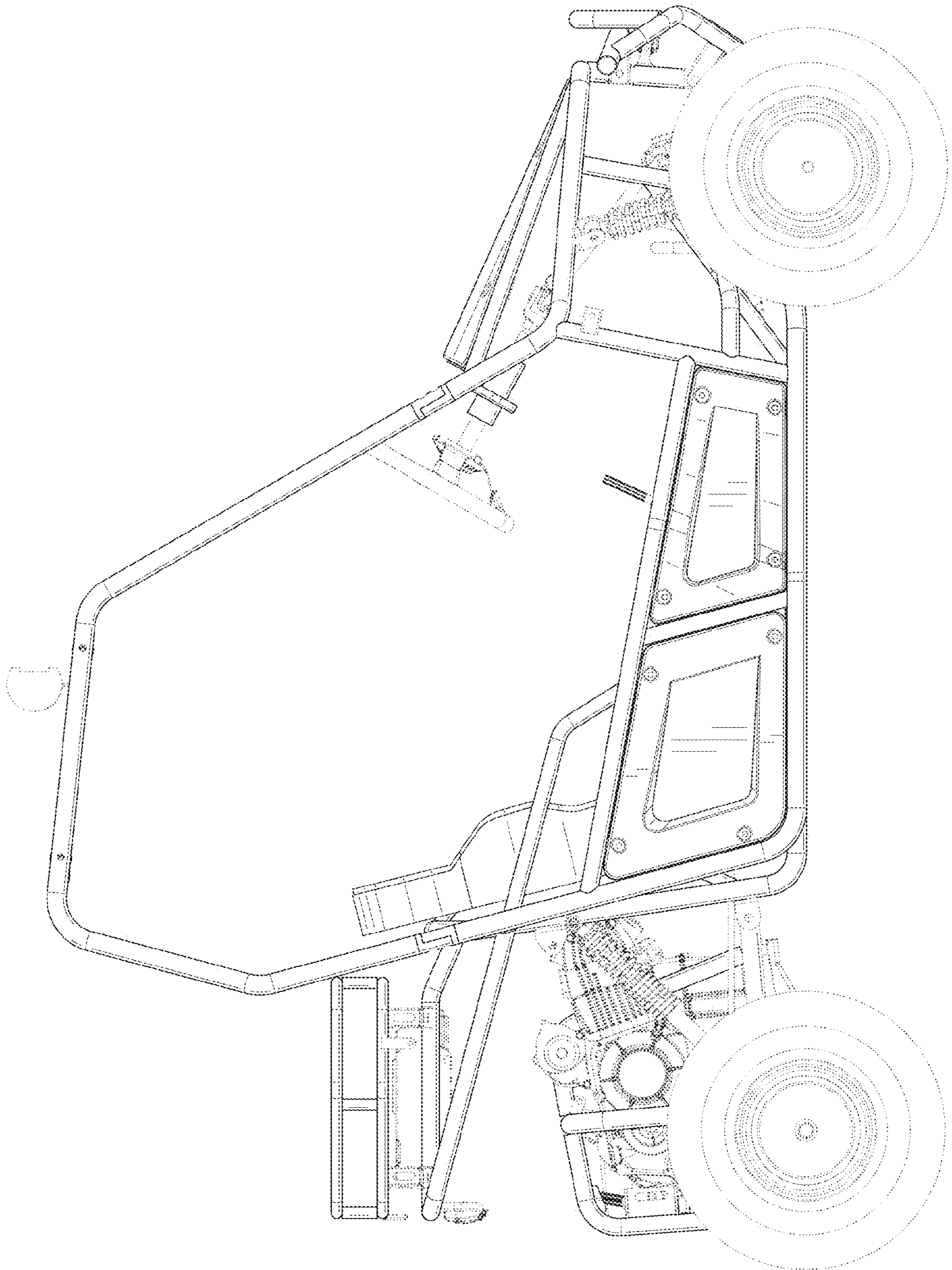


FIG. 4

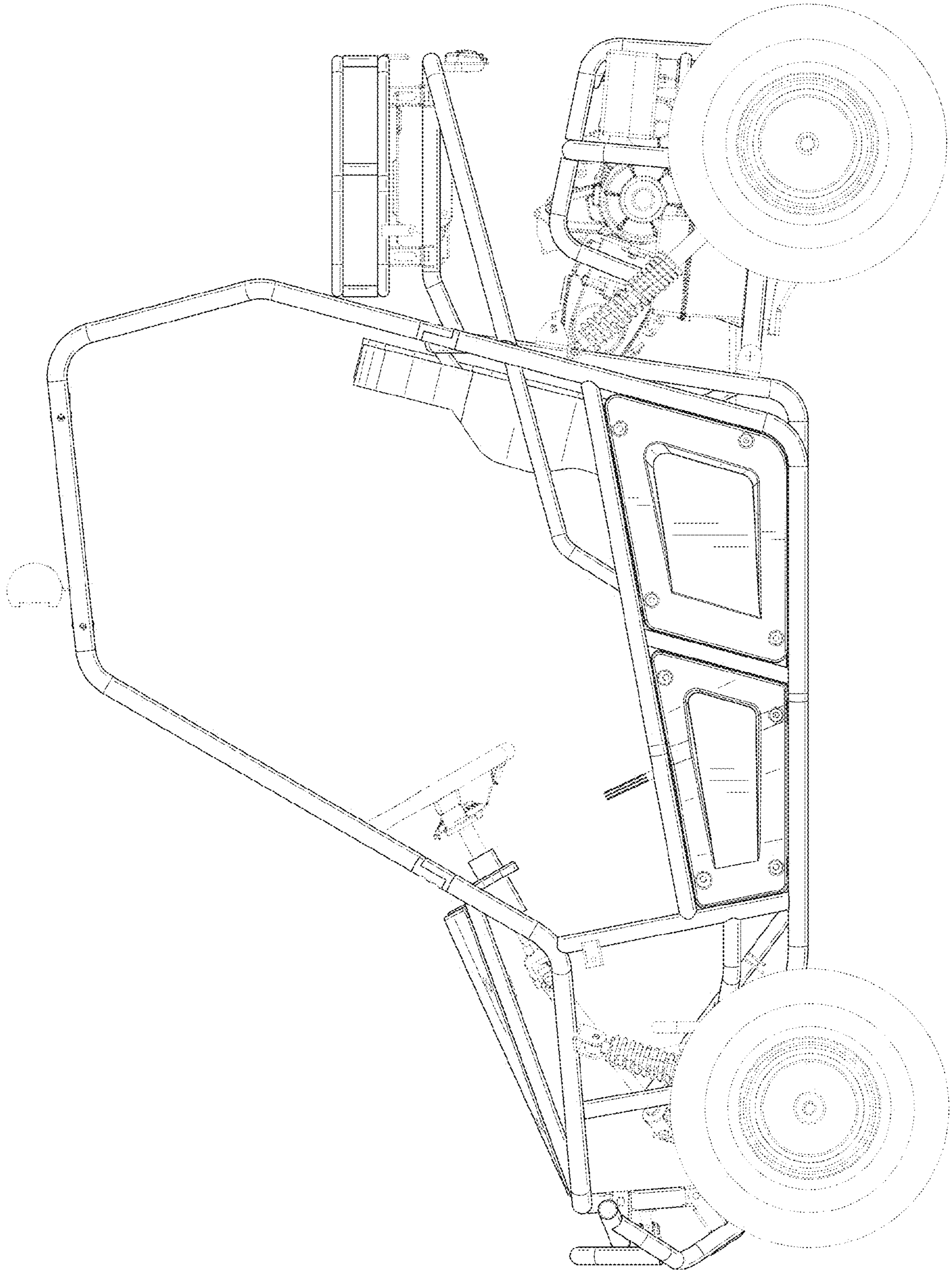


FIG. 5

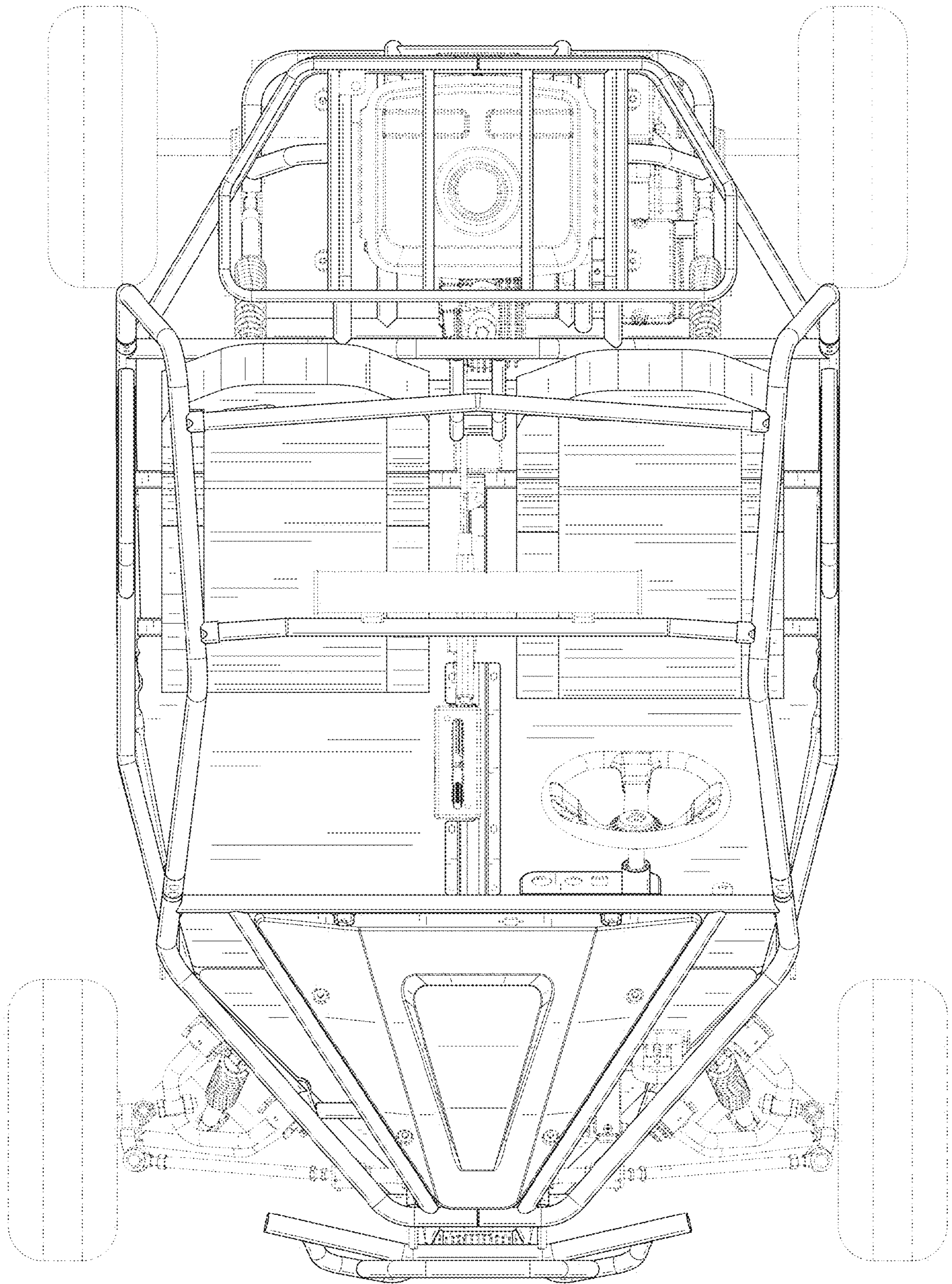


FIG. 6

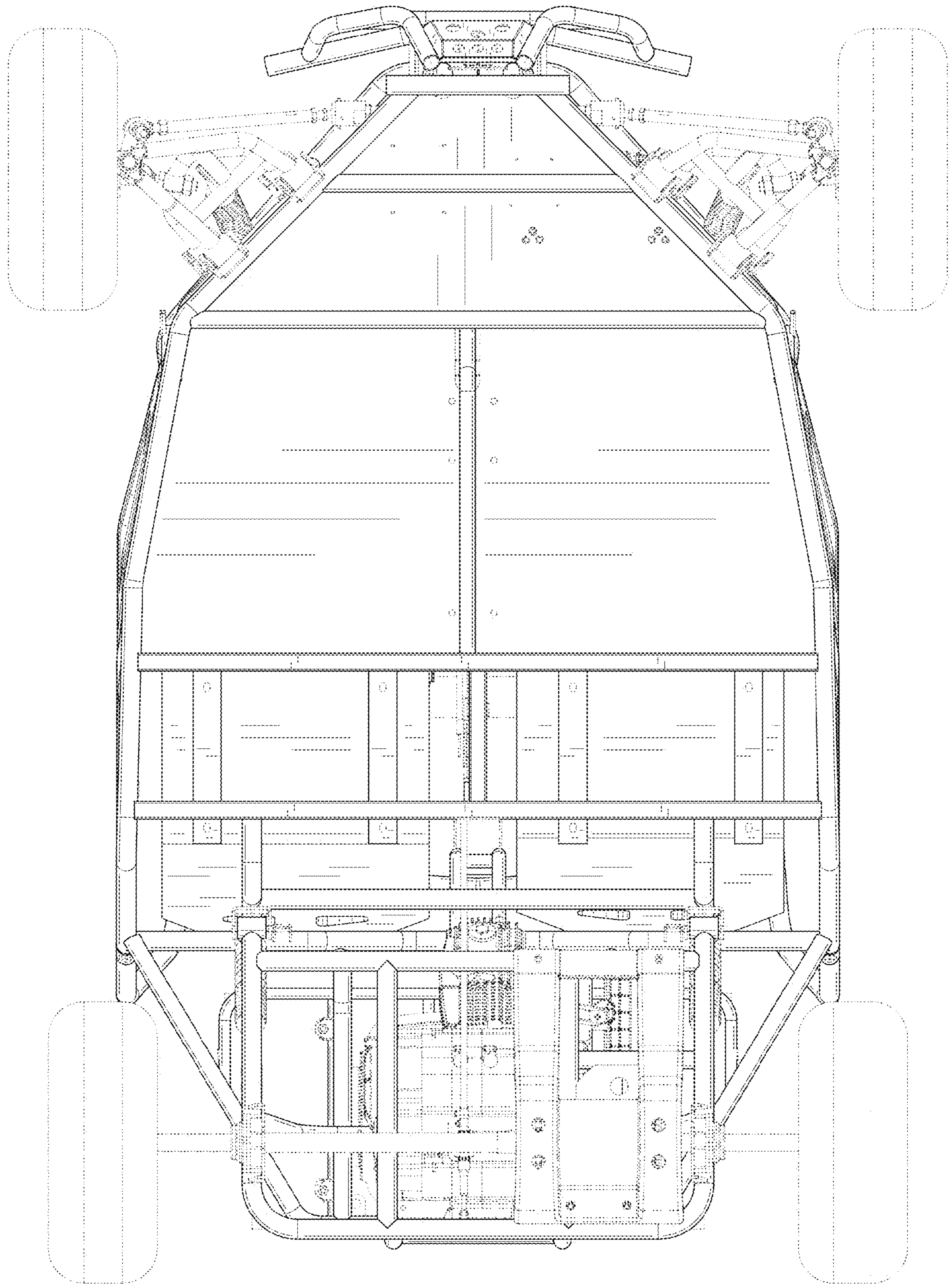


FIG. 7