



US00D973543S

(12) **United States Design Patent**  
**Xu et al.**

(10) **Patent No.:** **US D973,543 S**

(45) **Date of Patent:** **\*\* Dec. 27, 2022**

(54) **KART**

(71) Applicant: **ZHEJIANG TAOTAO VEHICLES CO., LTD**, Zhejiang (CN)

(72) Inventors: **Jie Xu**, Zhejiang (CN); **Guidong Lou**, Zhejiang (CN); **Junhui Li**, Zhejiang (CN); **Yali Ying**, Zhejiang (CN); **Weihao Liu**, Zhejiang (CN)

(73) Assignee: **ZHEJIANG TAOTAO VEHICLES CO., LTD**, Zhejiang (CN)

(\*\*) Term: **15 Years**

(21) Appl. No.: **29/769,941**

(22) Filed: **Feb. 8, 2021**

(30) **Foreign Application Priority Data**

Dec. 4, 2020 (CN) ..... 202030745114.5

(51) **LOC (13) Cl.** ..... **12-08**

(52) **U.S. Cl.**  
USPC ..... **D12/87**

(58) **Field of Classification Search**  
USPC ..... D12/3, 4, 5, 14, 85, 86, 87, 107, 110  
CPC ... B60K 5/00; B60K 5/02; B60K 5/04; B60K 13/02; B60K 13/04; B60K 17/00; B60K 17/06; B60K 17/08; B60K 17/22; B62D 1/04; B62D 1/18; B62D 3/12; B62D 5/0403; B62D 21/11; B62D 21/18; B62D 21/183; B62D 23/005; B62D 25/24  
See application file for complete search history.

(56) **References Cited**

U.S. PATENT DOCUMENTS

D286,760 S \* 11/1986 Ooba ..... D12/87  
D301,849 S \* 6/1989 Oba ..... D12/87  
D312,989 S \* 12/1990 Murata ..... D12/87

D327,237 S \* 6/1992 Miyamoto ..... D12/87  
D467,200 S \* 12/2002 Luo ..... D12/87  
D500,707 S \* 1/2005 Lu ..... D12/87  
D503,658 S \* 4/2005 Lu ..... D12/87  
D549,133 S \* 8/2007 LePage ..... D12/87  
D574,297 S \* 8/2008 Carl ..... D12/87  
D682,739 S \* 5/2013 Patterson ..... D12/87  
D705,127 S \* 5/2014 Patterson ..... D12/87  
D739,304 S \* 9/2015 Brown ..... D12/87  
9,327,587 B2 \* 5/2016 Spindler ..... B60R 21/13  
D762,522 S \* 8/2016 Kinoshita ..... D12/87  
D804,993 S \* 12/2017 Eck ..... D12/87  
D805,009 S \* 12/2017 Eck ..... D12/171  
D805,015 S \* 12/2017 Eck ..... D12/196

(Continued)

OTHER PUBLICATIONS

“Polaris RZR—2023 Accessories, Garage, & Apparel.” Polaris., Jul. 20, 2022 [online], [retrieved on Aug. 5, 2022]. Retrieved from the Internet <URL: <https://offroad.polaris.com/en-us/catalogs/>>.\*

(Continued)

Primary Examiner — Darlington Ly

(74) Attorney, Agent, or Firm — JCIP Global Inc.

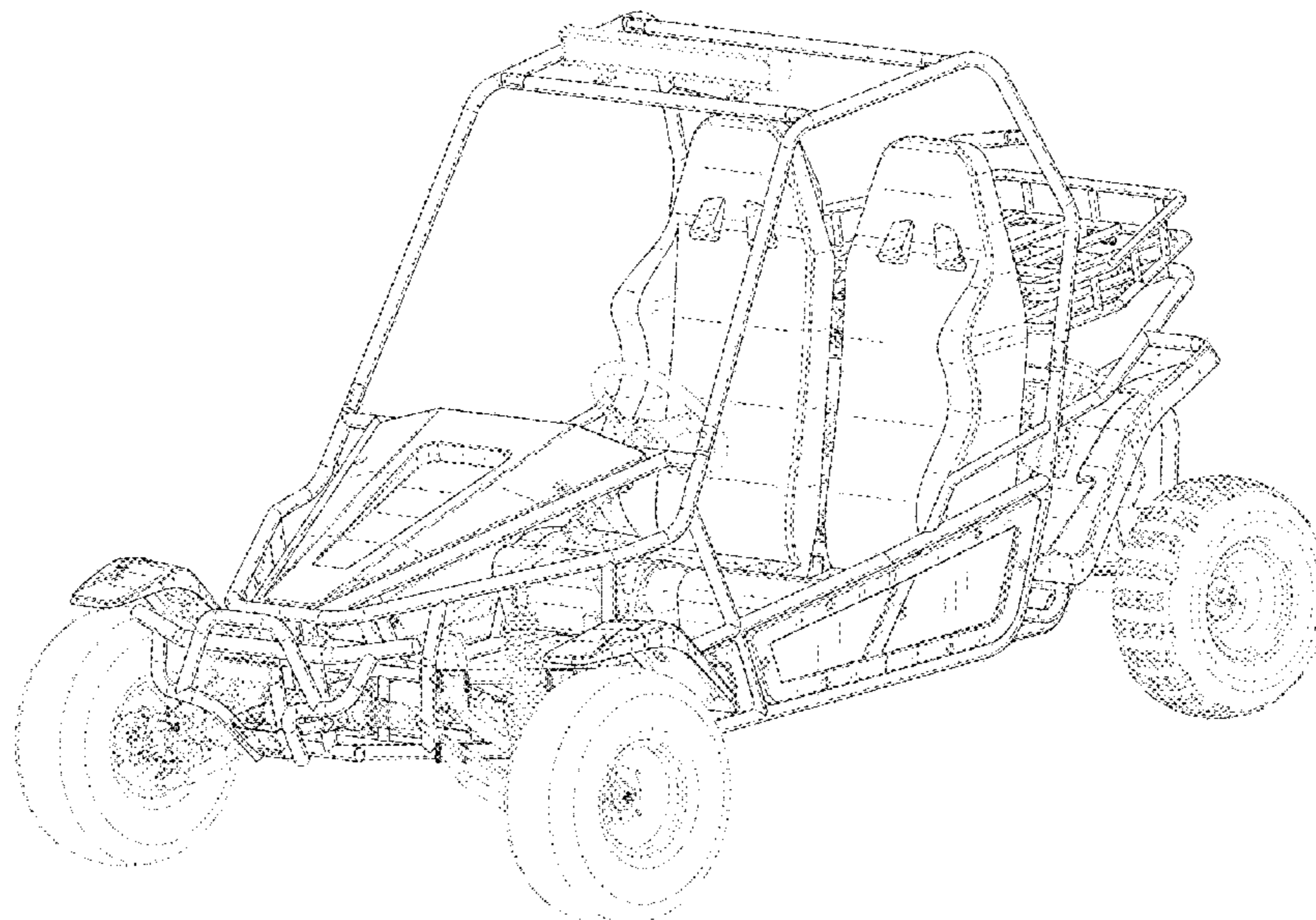
(57) **CLAIM**

The ornamental design for a kart, as shown and described.

**DESCRIPTION**

FIG. 1 is a perspective view of a kart embodying our new design;  
FIG. 2 is a front elevation view thereof;  
FIG. 3 is a rear elevation view thereof;  
FIG. 4 is a left side elevation view thereof;  
FIG. 5 is a right side elevation view thereof;  
FIG. 6 is a top plan view thereof; and,  
FIG. 7 is a bottom plan view thereof.  
The broken lines illustrate portions of the kart that form no part of the claimed design.

**1 Claim, 7 Drawing Sheets**



(56)

**References Cited**

U.S. PATENT DOCUMENTS

D835,545 S \* 12/2018 Hanten ..... D12/87  
D927,355 S \* 8/2021 Mikhailov ..... D12/87  
11,173,808 B2 \* 11/2021 Swain ..... F01P 5/02  
2019/0031260 A1 \* 1/2019 Filion ..... B23P 6/00  
2021/0094627 A1 \* 4/2021 Clark ..... B60N 2/0717  
2021/0354542 A1 \* 11/2021 Schleif ..... F02F 7/0021  
2021/0354760 A1 \* 11/2021 Schleif ..... F02B 5/00

OTHER PUBLICATIONS

“Owner’s Manual—KT196.” Coleman., Jul. 29, 2021 [online],  
[retrieved on Aug. 5, 2022]. Retrieved from the Internet <URL:  
[https://3546502.app.netsuite.com/core/media/media.nl?id=350114  
&c=3546502&h=E\\_ems\\_  
nO5Aotnpy9y1QMRpymHdZzLbBARMfUfltrNAQmPLJA&\\_xt=  
pdf](https://3546502.app.netsuite.com/core/media/media.nl?id=350114&c=3546502&h=E_ems_nO5Aotnpy9y1QMRpymHdZzLbBARMfUfltrNAQmPLJA&_xt=.pdf)>.\*

\* cited by examiner

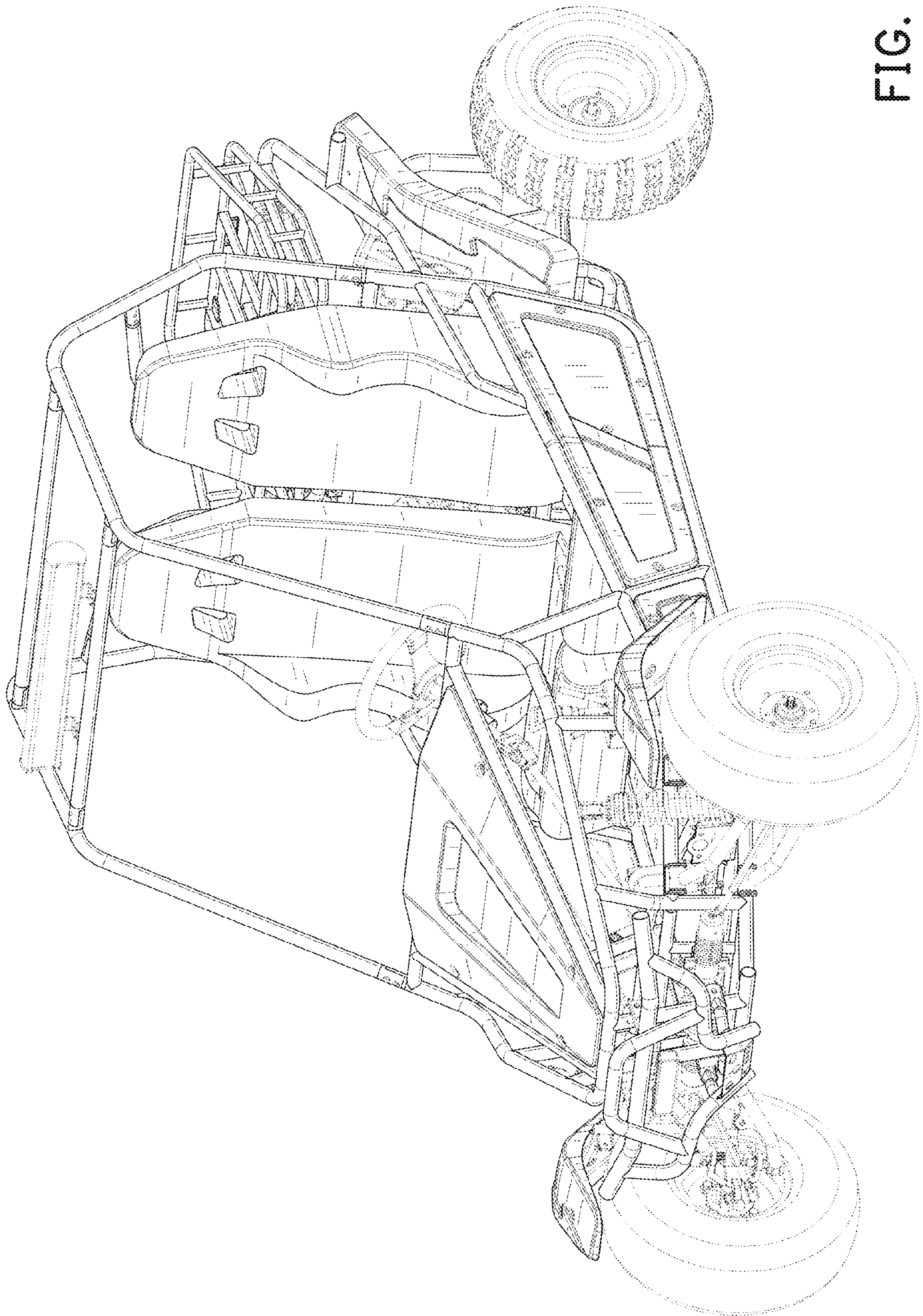


FIG. 1

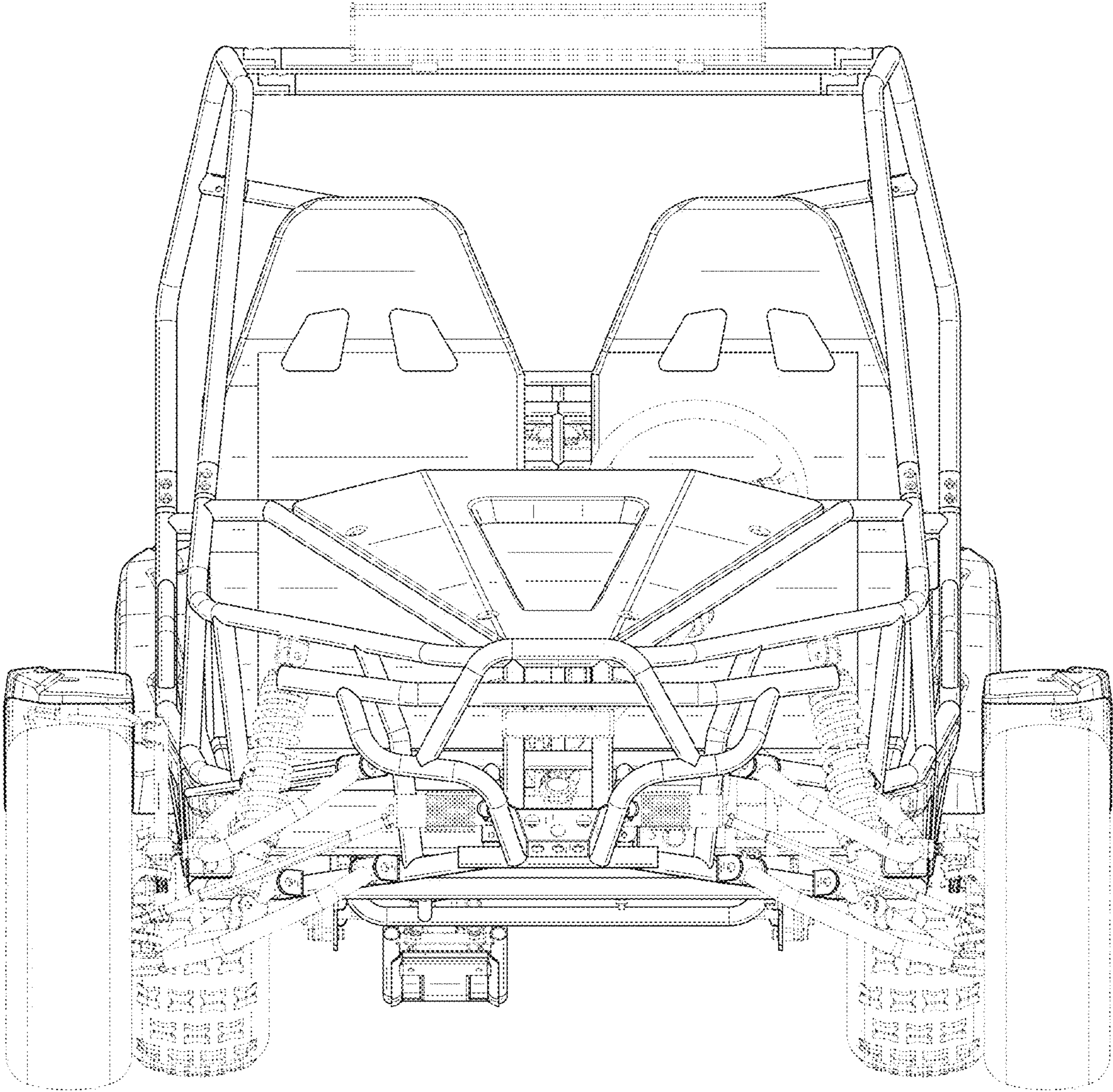


FIG. 2

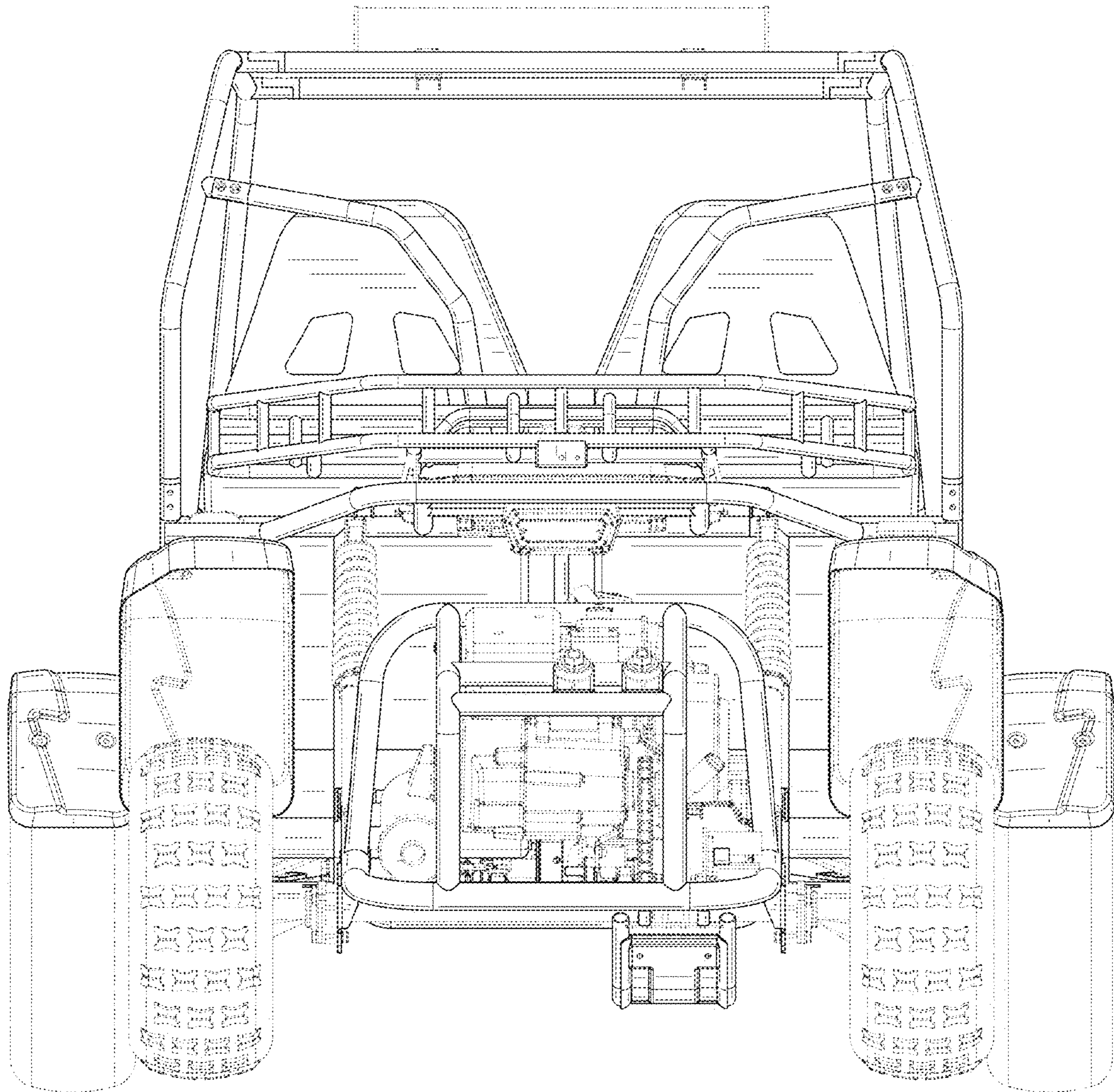


FIG. 3

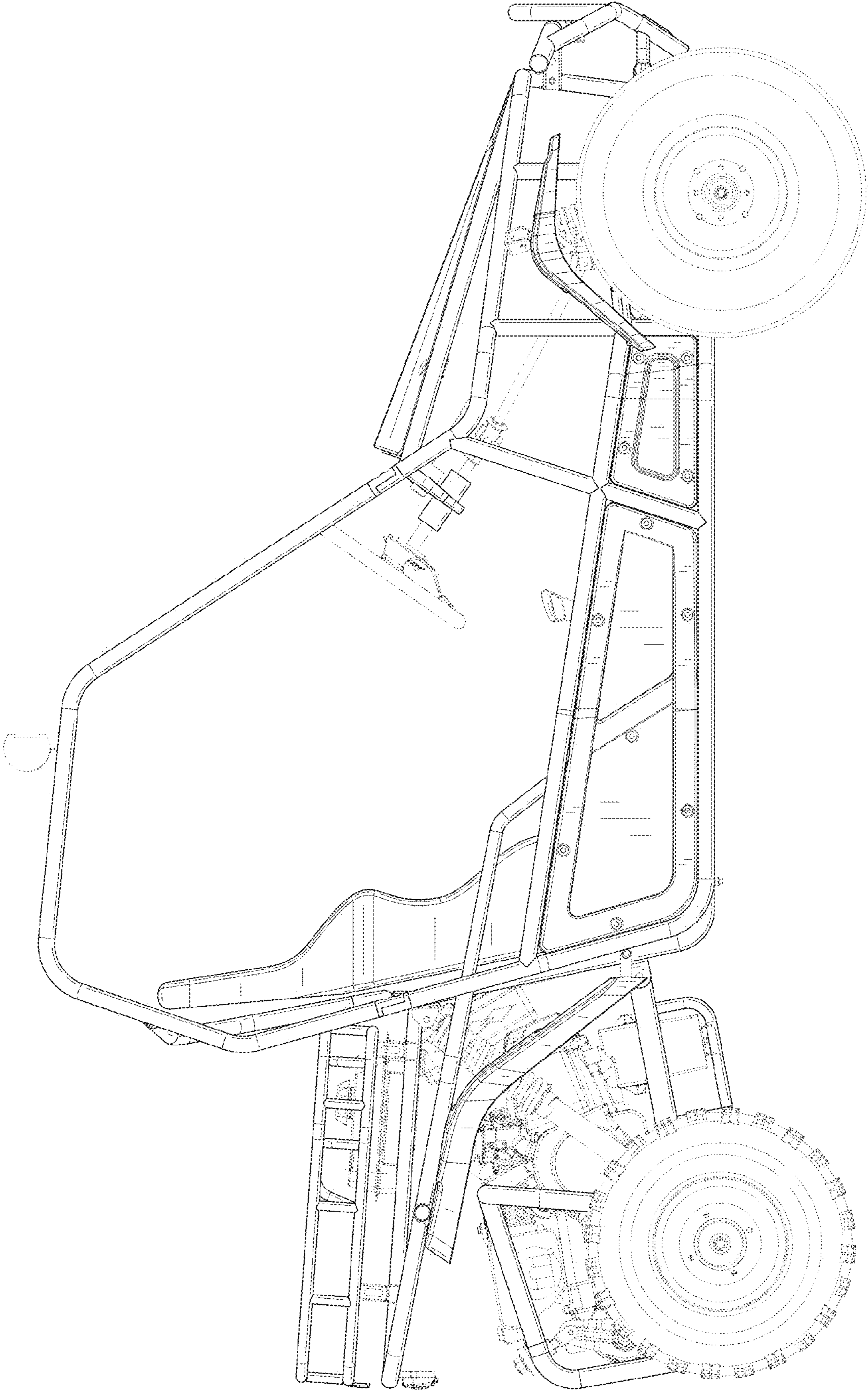


FIG. 4

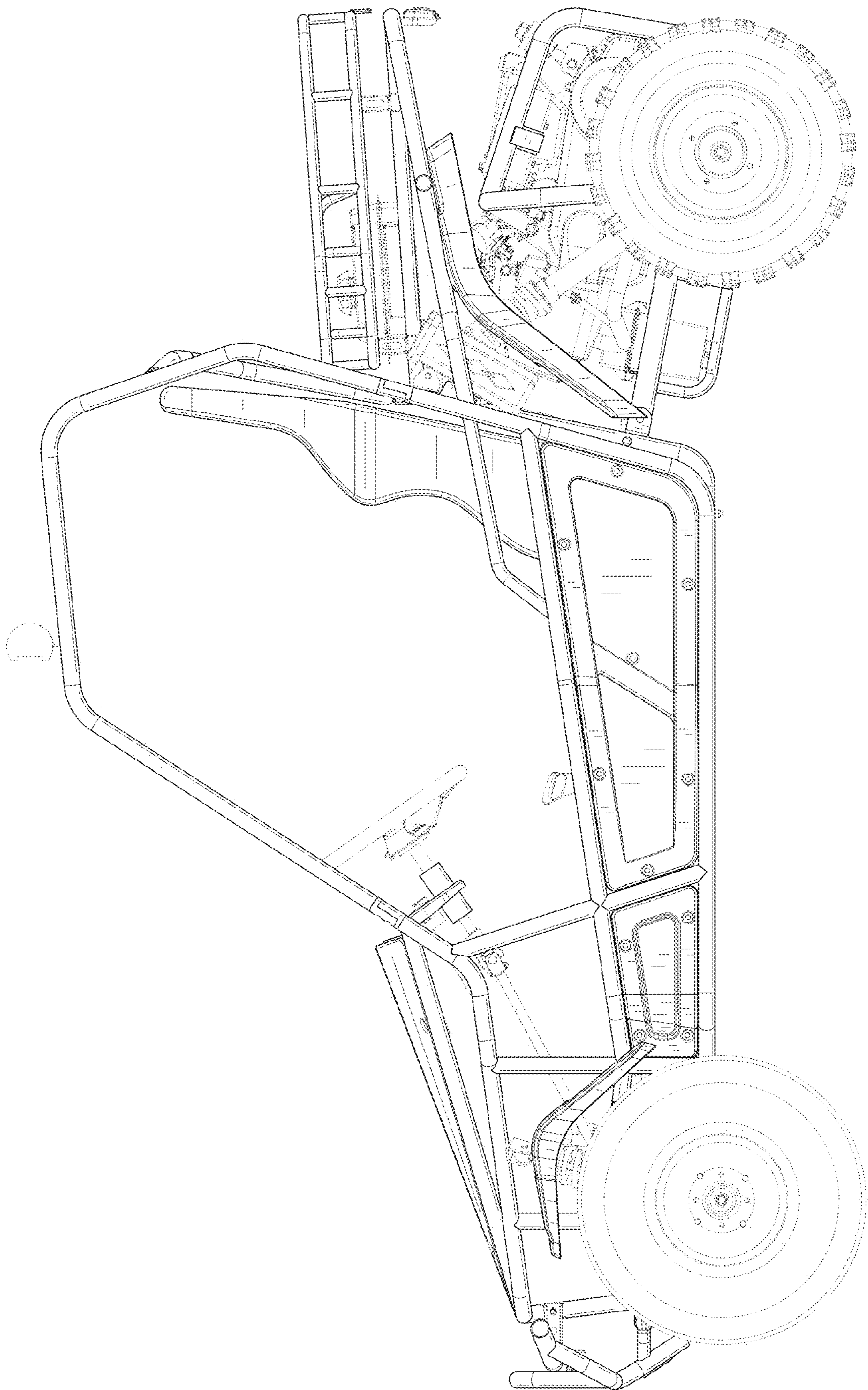


FIG. 5

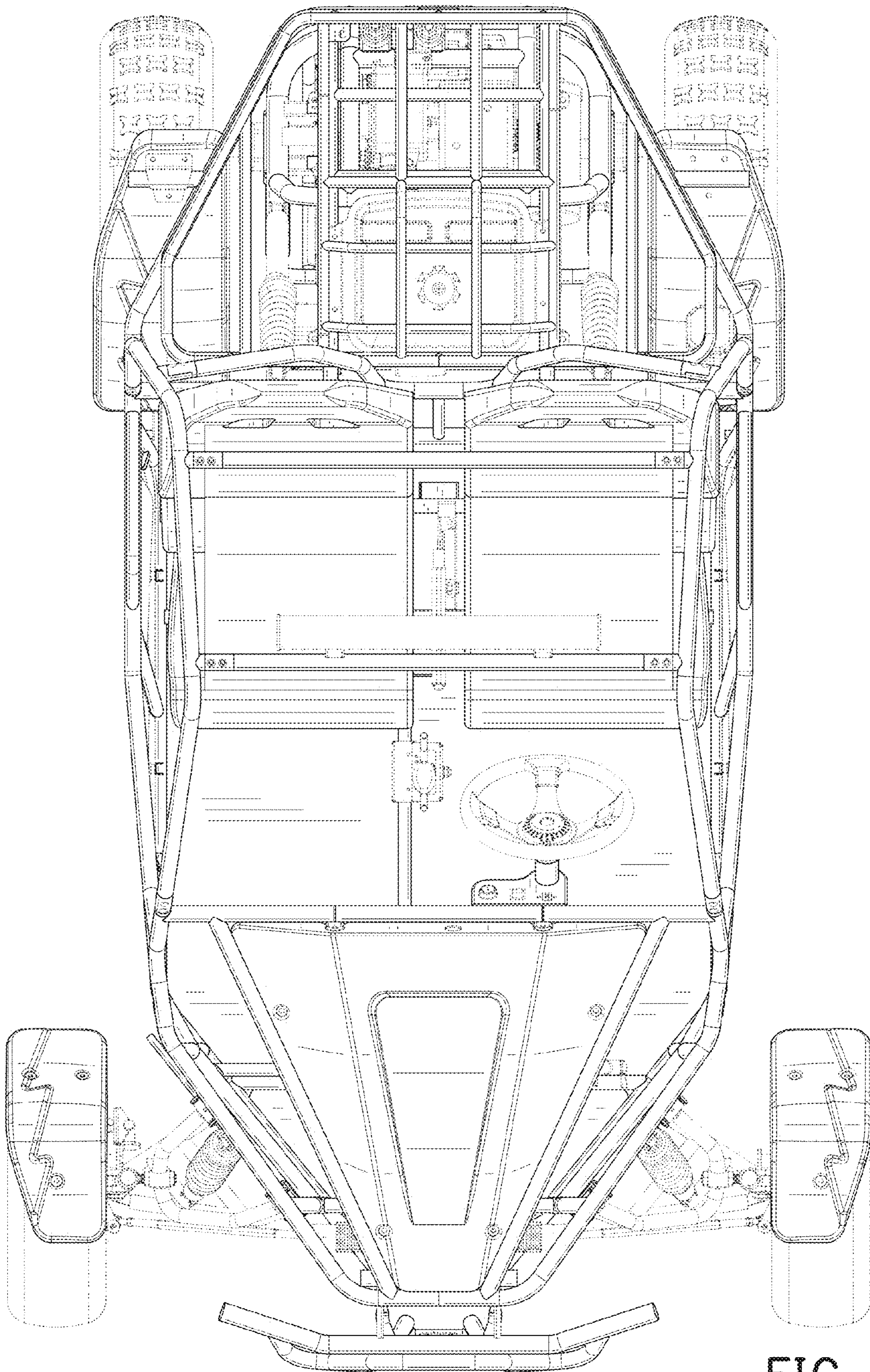


FIG. 6



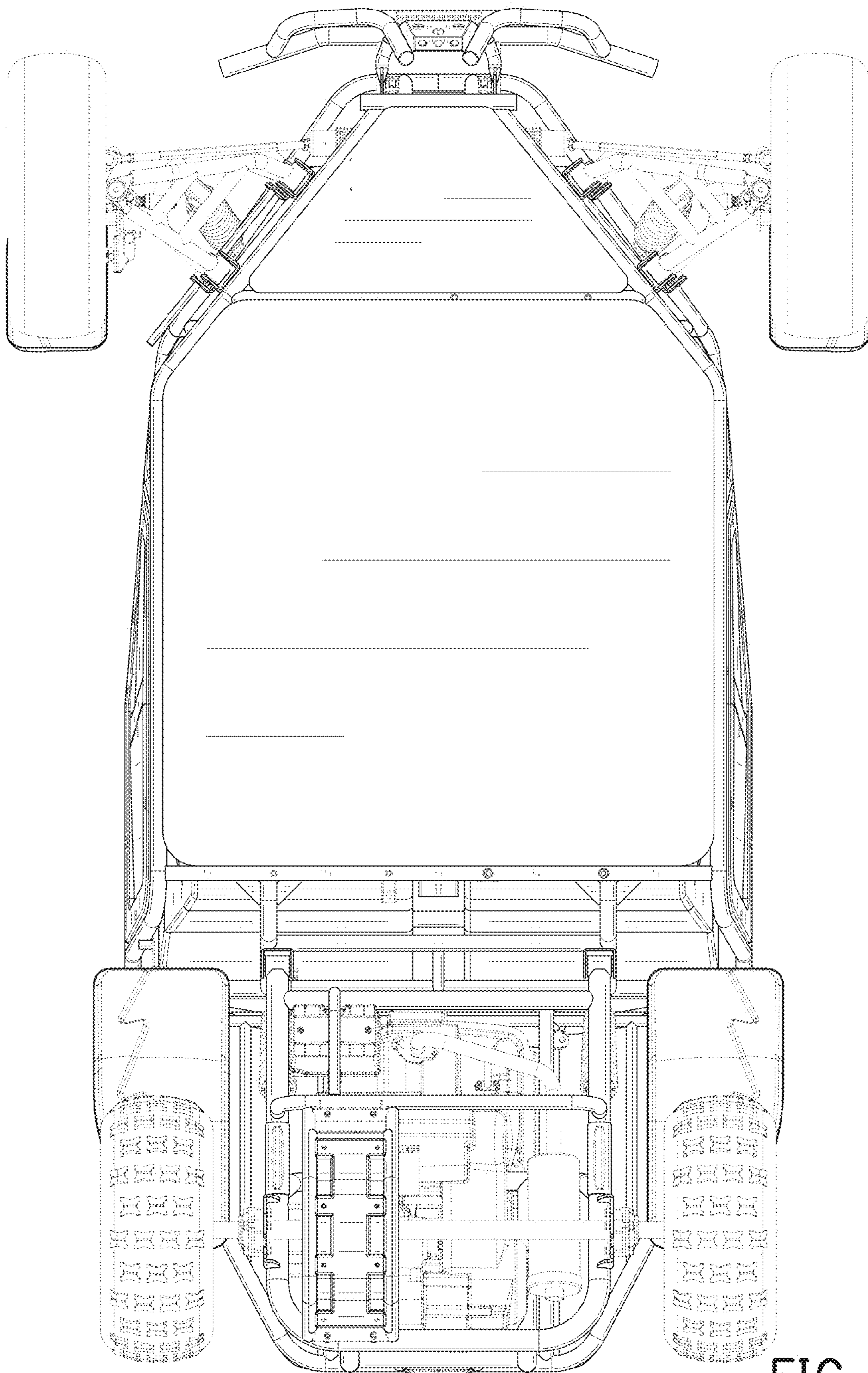


FIG. 7