



US00D973542S

(12) **United States Design Patent** (10) **Patent No.:** **US D973,542 S**  
**Padhye** (45) **Date of Patent:** **\*\* Dec. 27, 2022**

(54) **THREE-WHEELED DELIVERY VEHICLE**

(71) Applicant: **Mandar Padhye**, Irvine, CA (US)

(72) Inventor: **Mandar Padhye**, Irvine, CA (US)

(73) Assignee: **EMC Squared Vehicles LLC**, Irvine, CA (US)

(\*\*) Term: **15 Years**

(21) Appl. No.: **29/775,233**

(22) Filed: **Mar. 22, 2021**

(51) **LOC (13) Cl.** ..... **12-08**

(52) **U.S. Cl.**  
USPC ..... **D12/85**

(58) **Field of Classification Search**  
USPC ..... D12/85, 86, 107; D21/424, 433, 434  
CPC ..... B62D 21/11; B62D 29/043; B62D 31/00;  
B62D 49/00; B62D 61/065; B62L 3/00;  
B62K 3/005; B62K 5/01; B62K 5/08;  
B62K 5/027

See application file for complete search history.

(56) **References Cited**

**U.S. PATENT DOCUMENTS**

D203,665	S	*	2/1966	Cherry et al.	.....	D12/91
D219,650	S	*	1/1971	Balch	.....	D12/85
D248,461	S	*	7/1978	Edmonson	.....	D12/85
D283,113	S	*	3/1986	Stollery	.....	D12/85
D329,211	S	*	9/1992	Malewicki	.....	D12/85
D407,348	S	*	3/1999	Riley	.....	D12/85
6,015,022	A	*	1/2000	Thuliez	.....	B62D 47/00 280/786
D626,032	S	*	10/2010	Starr	.....	D12/85
D678,124	S	*	3/2013	Canni	.....	D12/85
D690,622	S	*	10/2013	Bruce	.....	D12/110

D695,644	S	*	12/2013	Timonen	.....	D12/85
D824,805	S	*	8/2018	Karka	.....	D12/85
D945,319	S	*	3/2022	Stronach	.....	D12/85
11,260,911	B2	*	3/2022	Stronach	.....	B62D 65/024
2014/0019006	A1	*	1/2014	Bruce	.....	B62D 15/00 701/41

**OTHER PUBLICATIONS**

“Top 6 Electric Three Wheeler Manufacturers In India.” Truck Junction., Feb. 14, 2022 [online], [retrieved on Oct. 5, 2022]. Retrieved from the Internet <URL: <https://trucks.tractorjunction.com/blog/top-6-electric-three-wheeler-manufacturers/>>.\*  
“The LEF by EV mobility is a 3-wheel blend between electric car & e-bike.” Design Boom., Jan. 27, 2021 [online], [retrieved on Oct. 5, 2022]. Retrieved from the Internet <URL: <https://www.designboom.com/technology/ev-mobility-lev-3-wheel-e-bike-01-27-2021/>>.\*

\* cited by examiner

*Primary Examiner* — Darlington Ly  
(74) *Attorney, Agent, or Firm* — Pacifica IP

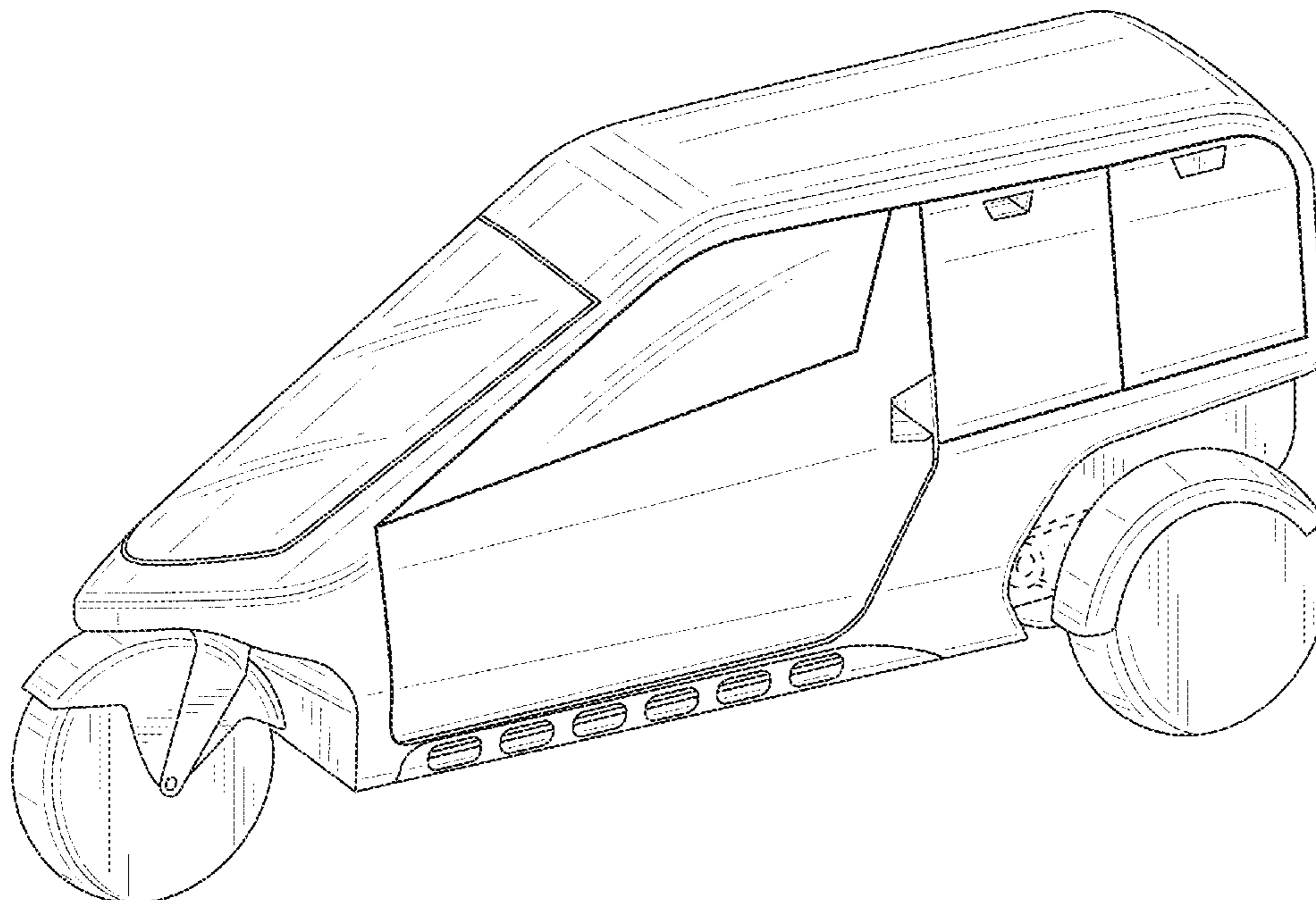
(57) **CLAIM**

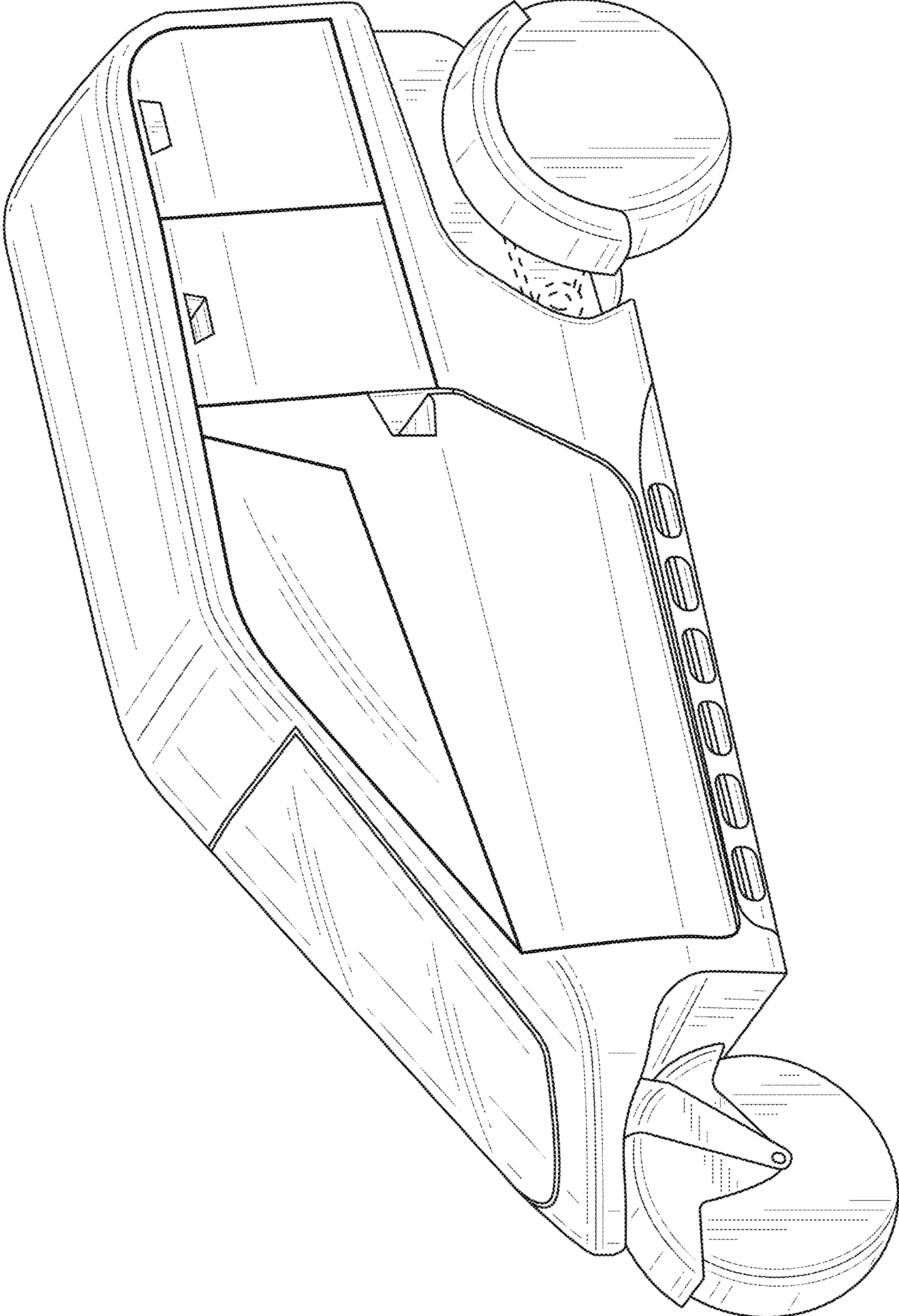
The ornamental design for a three-wheeled delivery vehicle, as shown and described.

**DESCRIPTION**

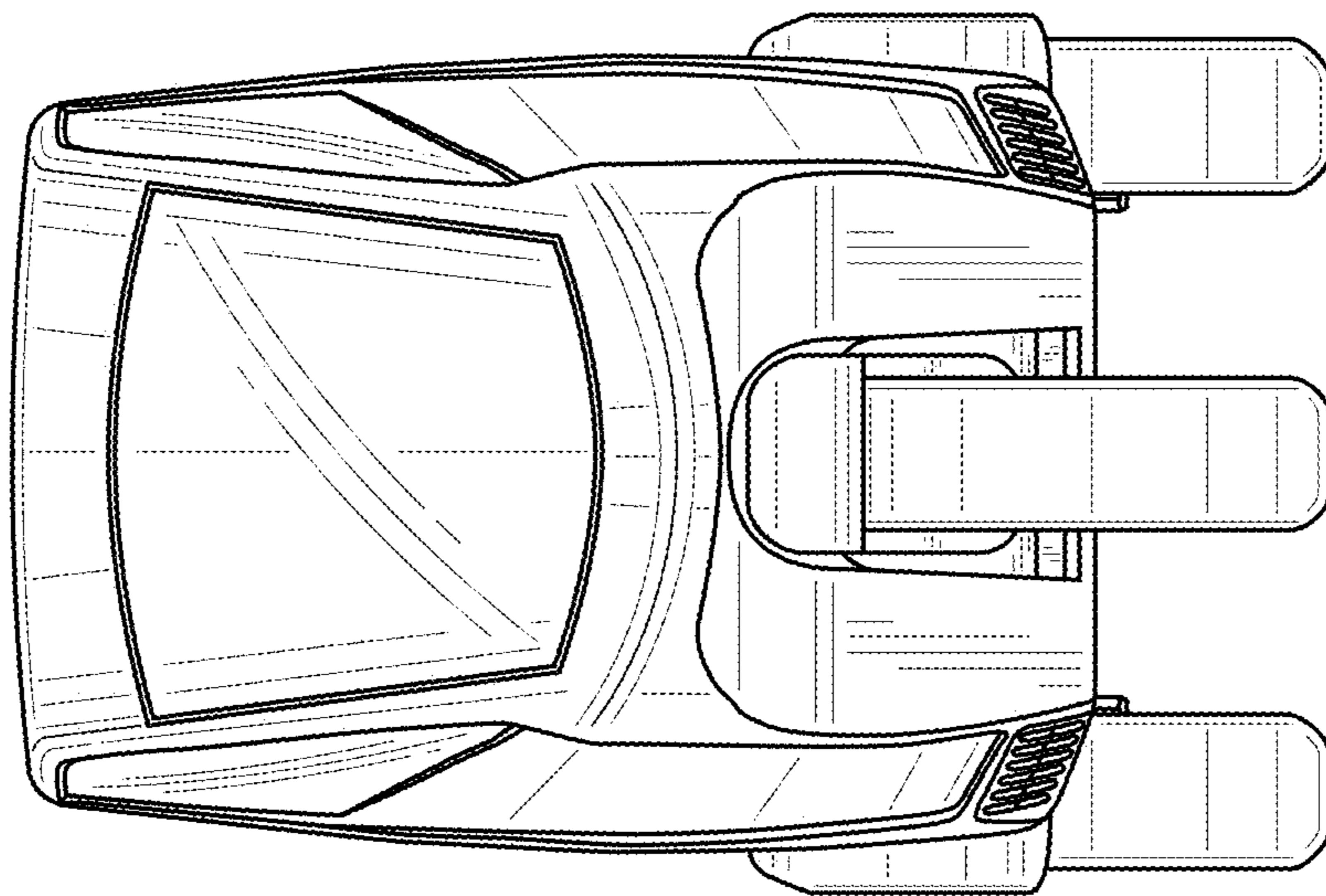
FIG. 1 is a perspective view of a three-wheeled delivery vehicle embodying my new design;  
FIG. 2 is a front elevation view thereof;  
FIG. 3 is a rear elevation view thereof;  
FIG. 4 is a left side elevation view thereof;  
FIG. 5 is a right side elevation view thereof; and,  
FIG. 6 is a top plan view thereof.  
The broken lines in the drawings illustrate portions of the three-wheeled delivery vehicle that form no part of the claimed design.

**1 Claim, 6 Drawing Sheets**

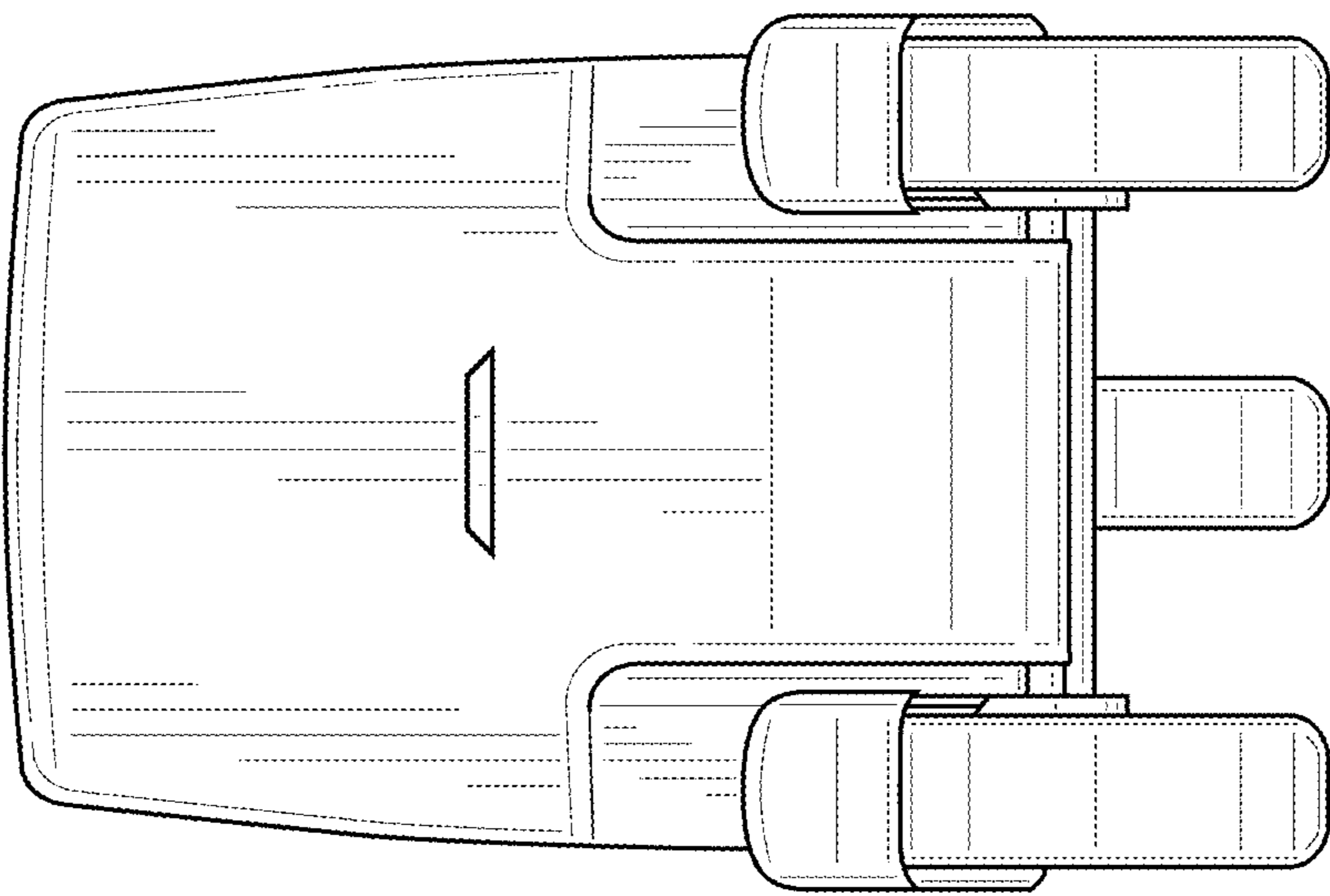




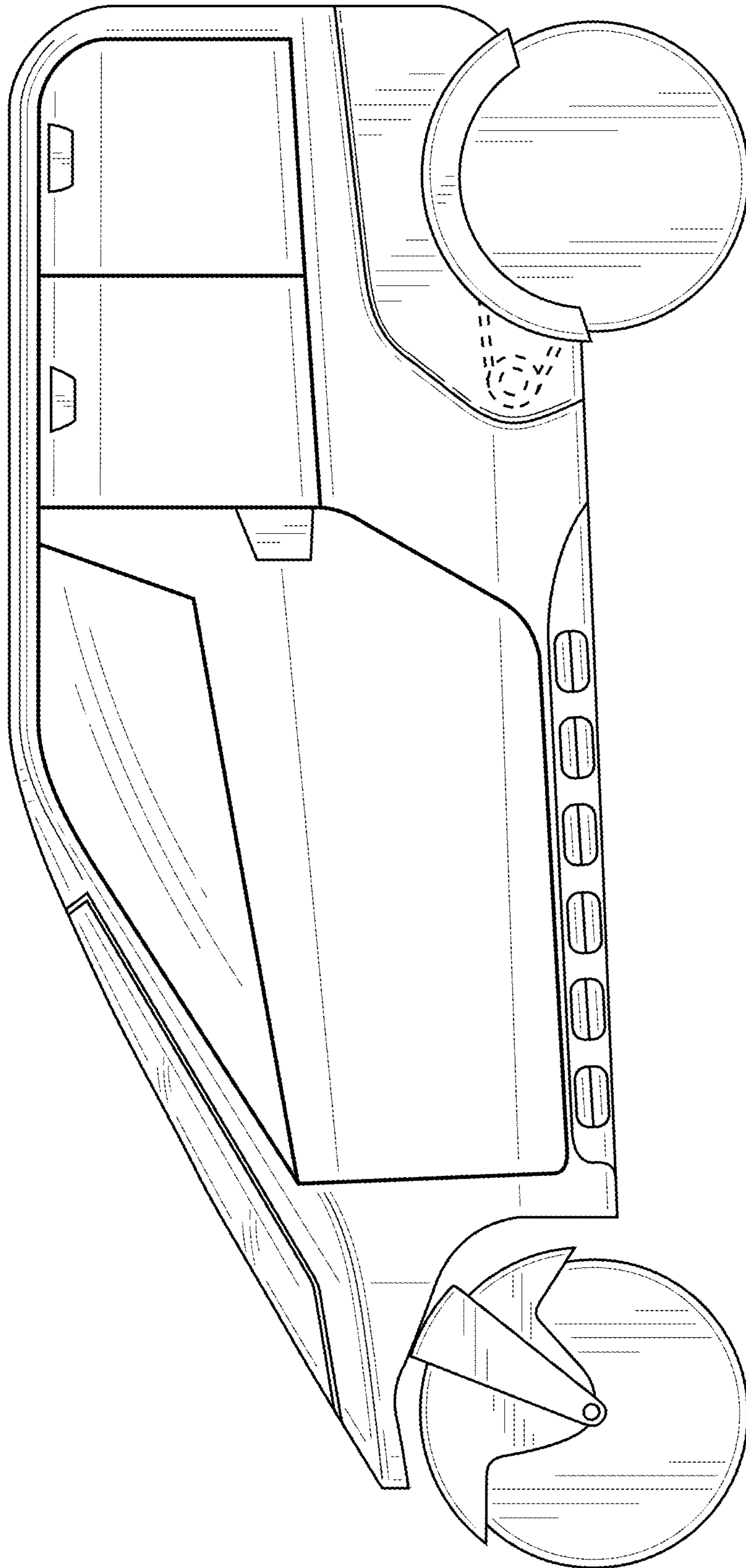
**FIG. 1**



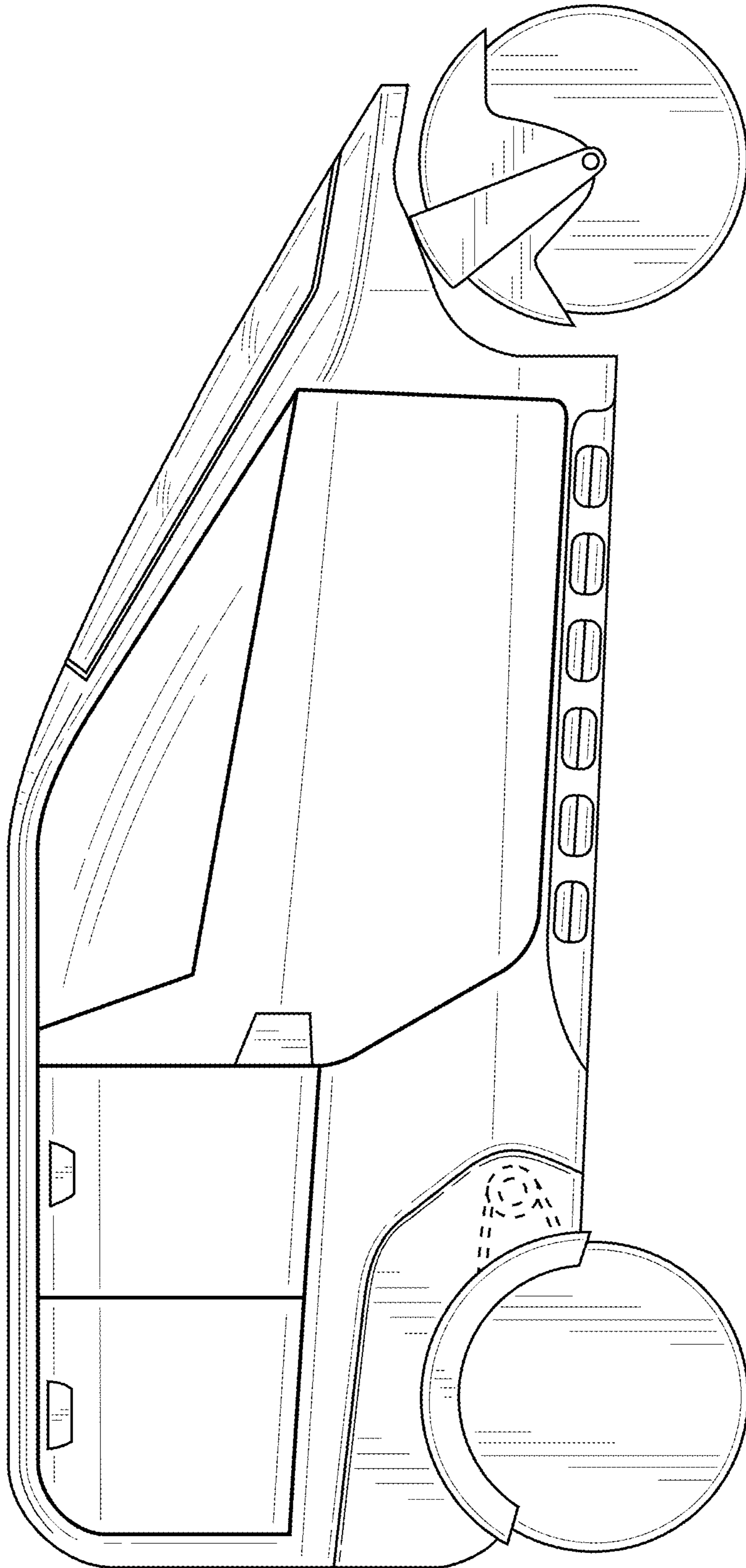
**FIG. 2**



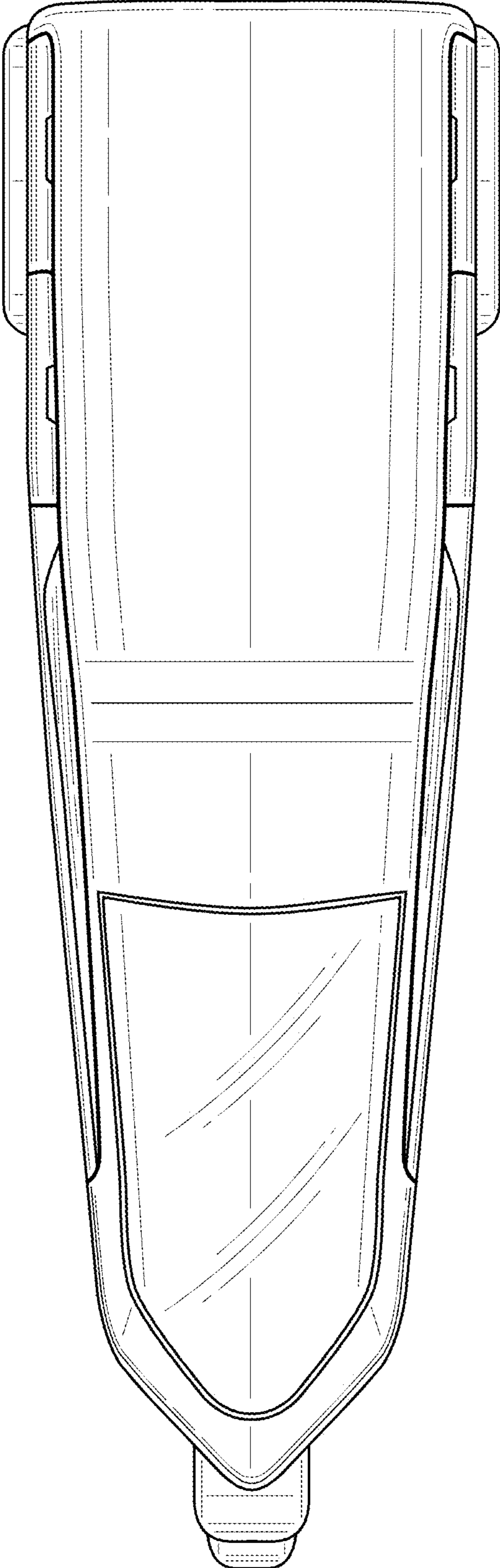
**FIG. 3**



**FIG. 4**



**FIG. 5**



**FIG. 6**