



US00D973540S

(12) **United States Design Patent** (10) **Patent No.:** **US D973,540 S**  
**Pemberton et al.** (45) **Date of Patent:** **\*\* Dec. 27, 2022**

(54) **RAIL VEHICLE**

D514,982 S \* 2/2006 Meissner ..... D12/37  
D563,831 S \* 3/2008 Suge ..... D12/84  
D755,672 S \* 5/2016 Joren ..... D12/36  
D911,218 S \* 2/2021 Ransome ..... D12/36

(71) Applicant: **The Council of the City of Coventry**,  
Coventry (GB)

(72) Inventors: **Martin Pemberton**, St Ives (GB); **Paul Salkeld**, Redditch (GB); **Matthew Hall**, Warwick (GB)

(73) Assignee: **THE COUNCIL OF THE CITY OF COVENTRY**, Coventry (GB)

(\*\*) Term: **15 Years**

(21) Appl. No.: **29/750,284**

(22) Filed: **Sep. 11, 2020**

(51) **LOC (13) Cl.** ..... **12-17**

(52) **U.S. Cl.**  
USPC ..... **D12/42**

(58) **Field of Classification Search**  
USPC ..... D12/1, 36, 37, 38, 39, 40, 41, 42, 43;  
D21/533, 540, 541, 548, 552  
CPC ..... B60L 2200/26; B29C 66/82263; B61D  
19/02; B61C 3/00; B61C 7/00; B65G  
1/065; B61F 3/08  
See application file for complete search history.

(56) **References Cited**

**U.S. PATENT DOCUMENTS**

D110,417 S \* 7/1938 Harley ..... D12/40  
D205,105 S \* 6/1966 Clary ..... D12/40  
D236,602 S \* 9/1975 Sunderg ..... D12/40  
D292,971 S \* 12/1987 Freeh ..... D12/37  
D301,704 S \* 6/1989 Groves ..... D12/40  
D317,886 S \* 7/1991 Stannard ..... D12/40  
D320,581 S \* 10/1991 Gallitzendorfer ..... D12/37  
D331,033 S \* 11/1992 Renfrew ..... D12/40  
D421,581 S \* 3/2000 Dimson ..... D12/37

**OTHER PUBLICATIONS**

Very Light Rail Vehicle, Published Jan. 14, 2021 [online], [retrieved on Jul 17, 2022]. Retrieved from the Internet: <https://www.youtube.com/watch?v=zSc9Kxpxhc> (Year: 2021).  
Very Light Rail Website—<https://web.archive.org/Web/20180605221853/http://www.verylightrail.com/> Jun. 5, 2018.  
Coventry City Council—<https://web.archive.org/web/20181031112822/https://www.coventry.gov.uk/verylightrail/> Oct. 31, 2018.  
Global Rail News—<https://www.globalrailnews.com/2018/01/08/plans-submitted-to-make-dudley-a-worldwide-leader-in-very-light-rail/> Jan. 18, 2018.

(Continued)

*Primary Examiner* — Cary M Robinson  
*Assistant Examiner* — Adam C Mager  
(74) *Attorney, Agent, or Firm* — Thomas Coester  
Intellectual Property

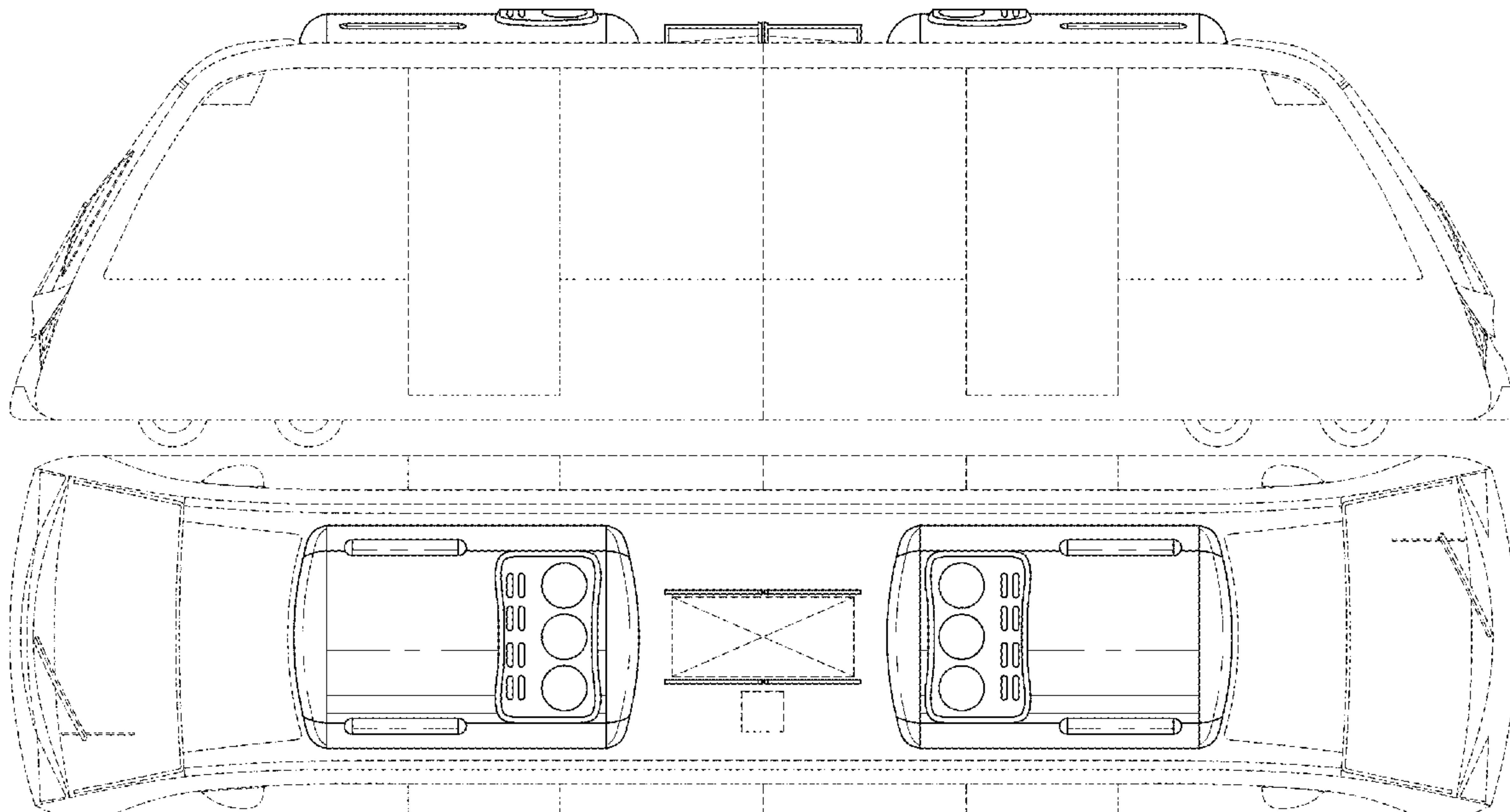
(57) **CLAIM**

The ornamental design for a rail vehicle, as shown and described.

**DESCRIPTION**

FIG. 1 is a rear perspective view of a rail vehicle according to the present invention.  
FIG. 2 is a right-side view thereof.  
FIG. 3 is left-side view thereof.  
FIG. 4 is a rear view thereof.  
FIG. 5 is a front view thereof.  
FIG. 6 is a top view thereof; and,  
FIG. 7 is a bottom view thereof.  
The broken lines shown in the drawings are features of the rail vehicle that form no part of the claimed design.

**1 Claim, 6 Drawing Sheets**



(56)

**References Cited**

## OTHER PUBLICATIONS

The Boar—<https://theboar.org/2017/10/wmg-developing-electric-tram-connect-coventry/> Oct. 23, 2017.

Revolution VLR, TDi—<https://web.archive.org/web/20141024173943/https://www.tdi.uk.com/en/revolution-vlr-consortium/> Oct. 24, 2014.

Revolution VLR, TDi—<https://web.archive.org/web/20160405045206/https://www.tdi.uk.com/en/revolution-vlr-consortium/> Apr. 5, 2015.

Revolution VLR, TDi—<https://web.archive.org/web/20161017072622/https://www.tdi.uk.com/en/revolution-vlr-consortium/> Oct. 17, 2016.

Revolution VLR, TDi—<https://web.archive.org/web/20170927053648/https://www.tdi.uk.com/en/revolution-vlr-consortium/> Sep. 27, 2017.

Revolution VLR, TDi—<https://web.archive.org/web/20180703180158/http://www.tdi.uk.com/EN/revolution-vlr-consortium/> Jul. 3, 2018.

Global Rail News—<https://www.globalrailnews.com/2017/09/29/this-is-what-a-coventry-tram-system-could-look-like/> Sep. 29, 2017.

BBC—<https://www.bbc.co.uk/news/uk-england-coventry-warwickshire-41426029> Sep. 28, 2017.

NCE—<https://www.newcivilengineer.com/archive/coventry-light-rail-design-deal-awarded-19-01-2018/> Jan. 19, 2018.

BBC—<https://www.bbc.co.uk/news/uk-england-coventry-warwickshire-42745007> Jan. 19, 2018.

Touch FM—<https://web.archive.org/web/20190104191507/http://www.962touchfm.co.uk/round-here/news/local-news/company-chosen-to-build-coventry-trams/> Jun. 14, 2018.

Coventry LEP—<https://www.cwlep.com/news/contractor-announced-very-light-rail-coventry> Jun. 14, 2018.

Railway Gazette—<https://www.railwaygazette.com/vehicles/very-light-rail-vehicle-prototype-contract-awarded/46630.article> Jun. 15, 2018.

Rail Technology Magazine—<http://www.railtechnologymagazine.com/Rail-News/firm-named-for-new-coventry-vlr-project> Jun. 18, 2018.

Express & Star—<https://www.expressandstar.com/news/business/2018/06/20/plans-for-very-light-rail-in-dudley-given-a-boost/> Jun. 21, 2018.

Cenex (LCV2018) by Nick Mallinson—[https://www.cenex-lcv.co.uk/storage/seminar-programme/sessions/presentations/nick\\_mallinson\\_very\\_light\\_rail\\_vlr\\_as\\_a\\_means\\_of\\_delivering\\_low\\_cost\\_railways\\_1537363565.pdf](https://www.cenex-lcv.co.uk/storage/seminar-programme/sessions/presentations/nick_mallinson_very_light_rail_vlr_as_a_means_of_delivering_low_cost_railways_1537363565.pdf) Sep. 12-13, 2018.

Presentation to Bath Tram Conference 2018—<https://bathtrams.uk/cms/wp-content/uploads/2018/12/Bath-Tram-Conference-Nick-Mallinson.pdf> Nov. 24, 2018.

Rail Technology Magazine—<http://www.railtechnologymagazine.com/Rail-News/spotlight-on-coventry-vlr-> Nov. 27, 2018.

Coventry Telegraph (Coventry Live)—<https://www.coventrytelegraph.net/news/coventry-news/coventrys-trams-could-travel-across-15487183> Dec. 3, 2018.

Warwick University—[https://warwick.ac.uk/newsandevents/pressreleases/very\\_light\\_rail/](https://warwick.ac.uk/newsandevents/pressreleases/very_light_rail/) Sep. 27, 2017.

\* cited by examiner



FIG. 1



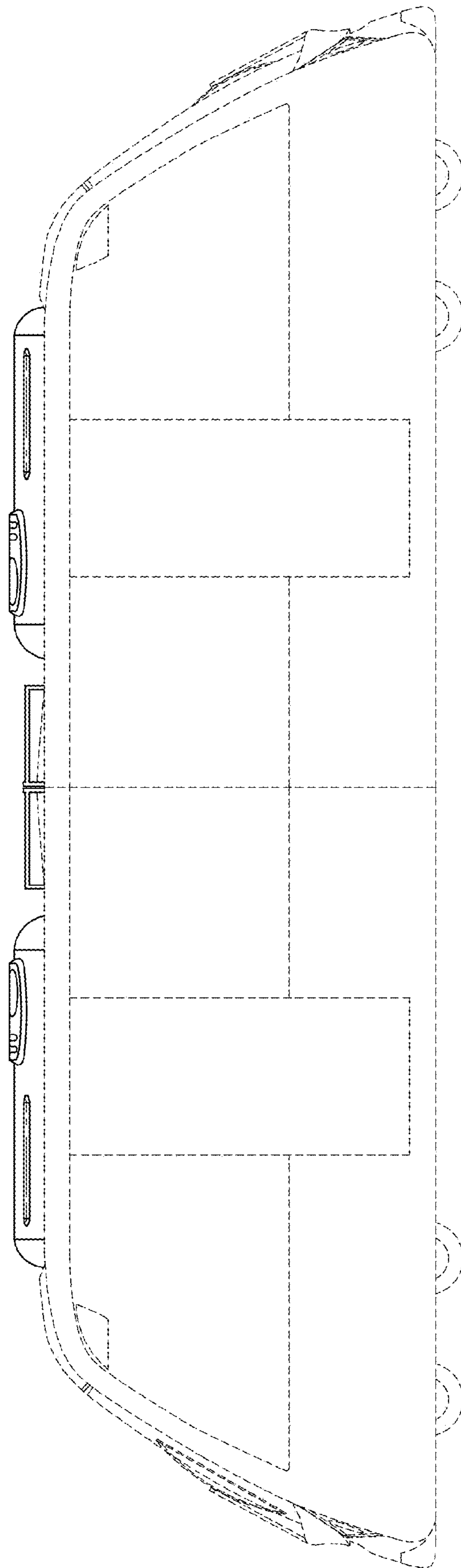


FIG. 2

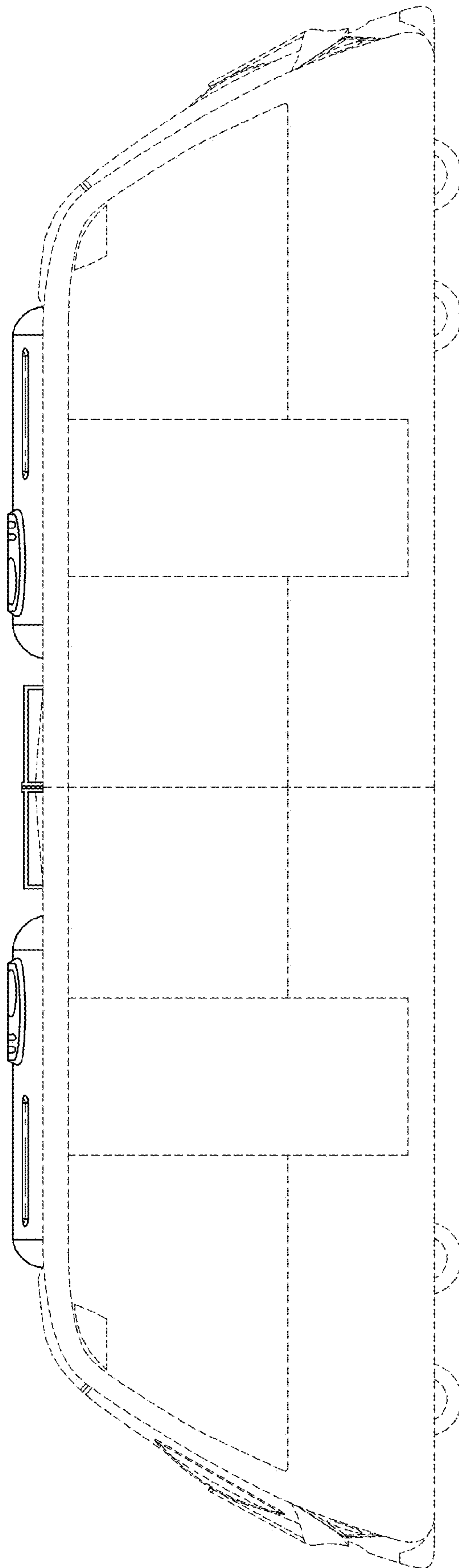


FIG. 3

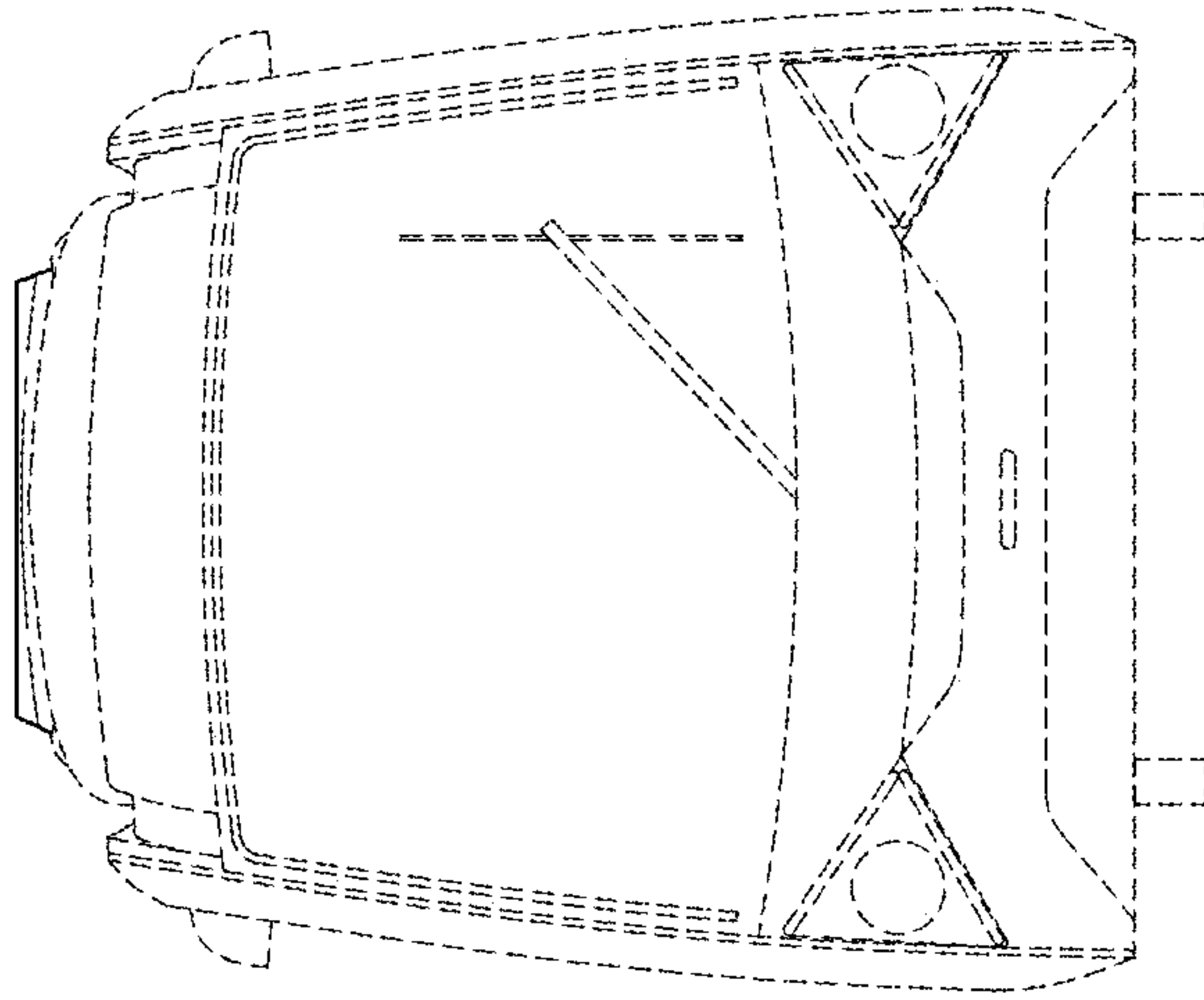


FIG. 5

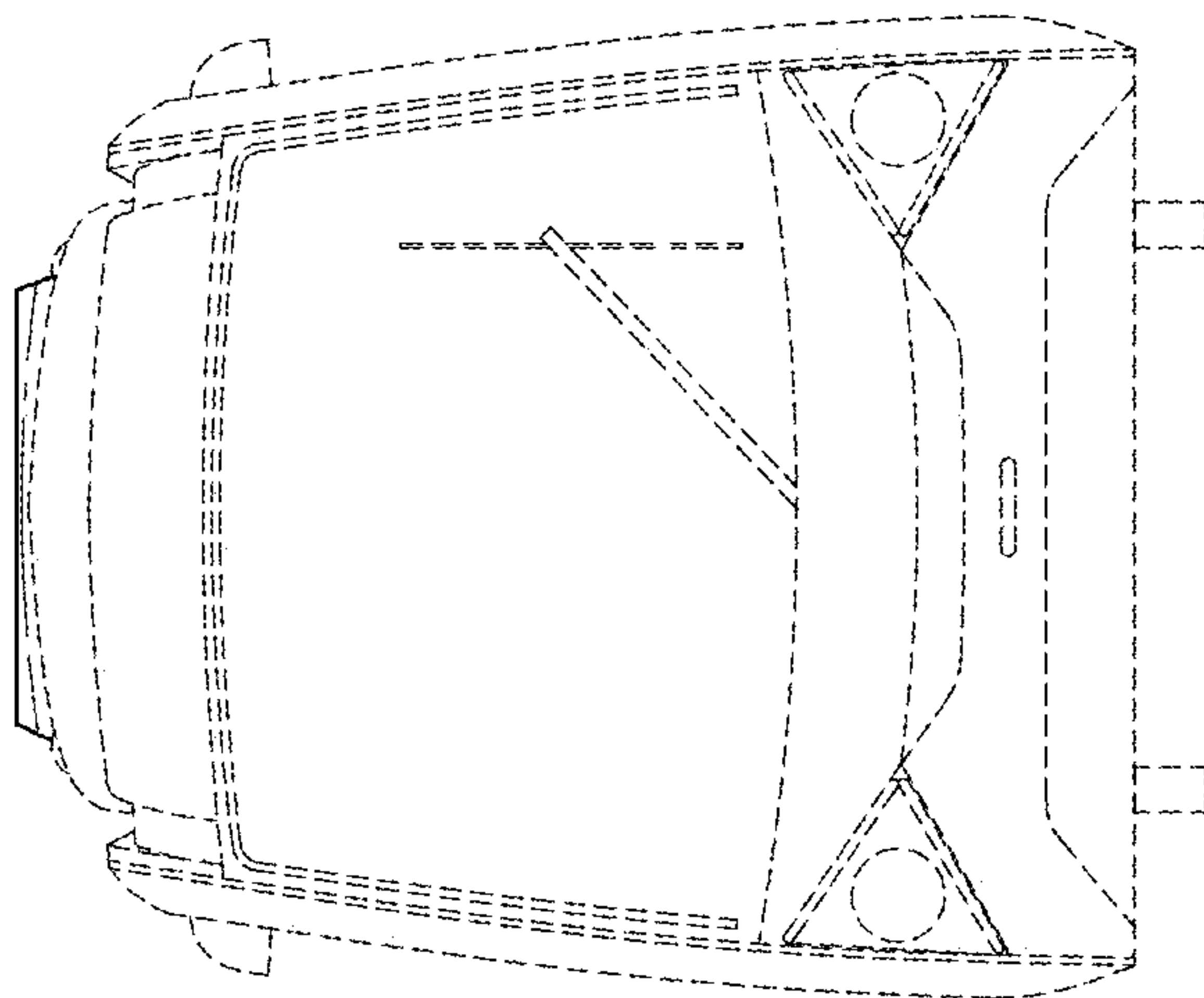


FIG. 4

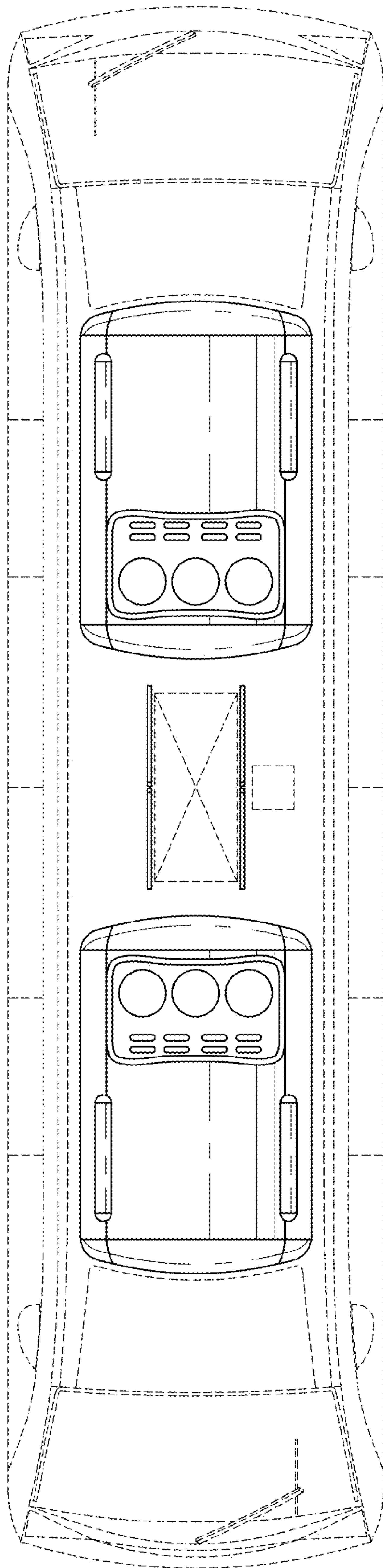


FIG. 6

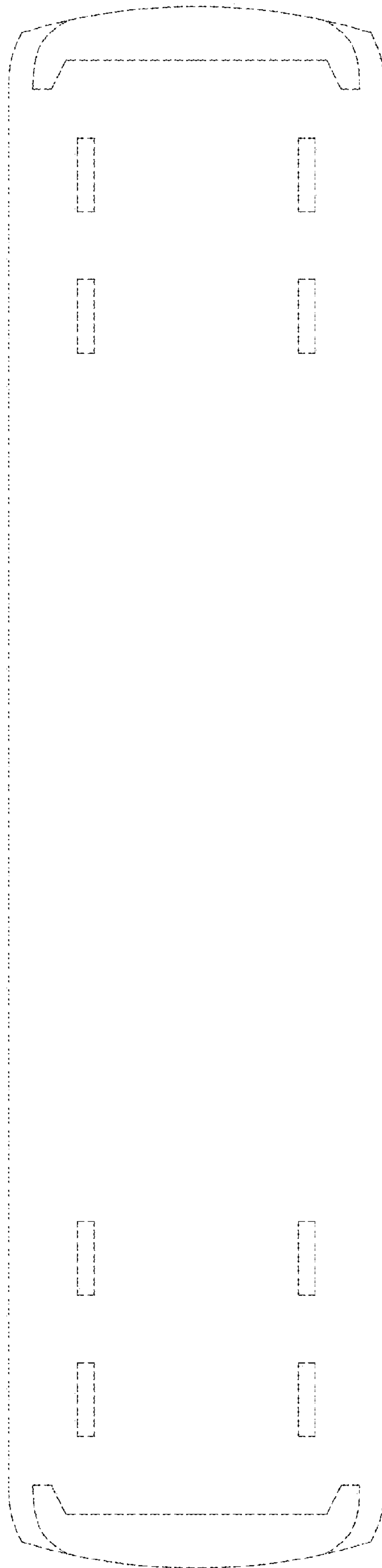


FIG. 7