

US00D973536S

(12) **United States Design Patent**
Lindloff

(10) **Patent No.:** **US D973,536 S**

(45) **Date of Patent:** **** Dec. 27, 2022**

- (54) **FLAG MAST COVER**
- (71) Applicant: **Ciro, LLC**, Hudson, WI (US)
- (72) Inventor: **Christopher D. Lindloff**, New Richmond, WI (US)
- (73) Assignee: **Ciro, LLC**, Hudson, WI (US)
- (**) Term: **15 Years**
- (21) Appl. No.: **29/724,177**
- (22) Filed: **Feb. 13, 2020**
- (51) **LOC (13) Cl.** **11-05**
- (52) **U.S. Cl.**
USPC **D11/181**
- (58) **Field of Classification Search**
USPC D11/166, 181, 182, 183; D8/373, 376,
D8/396
CPC A47G 7/045; A45F 3/44; G09F 17/00;
H01Q 1/1228
See application file for complete search history.

- (56) **References Cited**
U.S. PATENT DOCUMENTS
- 4,332,210 A * 6/1982 Lambert G09F 17/00
116/173
- 4,727,822 A * 3/1988 Wikkerink G09F 17/0091
116/28 R
- 4,774,869 A * 10/1988 Riksford G10G 7/00
984/258
- 5,024,179 A * 6/1991 Leffel G09F 17/00
116/28 R
- D341,551 S * 11/1993 Jones D11/166
- D363,446 S * 10/1995 MacDonald G09F 11/30
D11/166
- 5,988,100 A * 11/1999 Schmitt G09F 13/02
362/431
- D440,184 S * 4/2001 Jones G09F 25/00
D11/166

- 7,367,148 B2 * 5/2008 Moody G09F 17/00
116/63 P
- D706,543 S * 6/2014 Stein D20/43
- D722,436 S * 2/2015 Stein D20/43
- D871,503 S * 12/2019 Andrzejewski D20/43
- 10,565,907 B1 * 2/2020 Trifone G09F 11/02
- 2008/0216974 A1 * 9/2008 Pitcher G09F 15/0025
160/330
- 2010/0038042 A1 * 2/2010 Criss G09F 1/10
160/368.1
- 2014/0274434 A1 * 9/2014 Barelli A63B 57/40
473/176
- 2014/0340234 A1 * 11/2014 Wojnarski G09F 25/00
340/815.46
- 2016/0210888 A1 * 7/2016 Hsu G09F 17/00
- 2016/0289994 A1 * 10/2016 Schilling G09F 11/30
- 2020/0273386 A1 * 8/2020 Kreider G09F 15/0037
- 2021/0192993 A1 * 6/2021 Garcia G09F 17/00

* cited by examiner

Primary Examiner — Karen S Acker
(74) *Attorney, Agent, or Firm* — Dicke, Billig & Czaja, PLLC

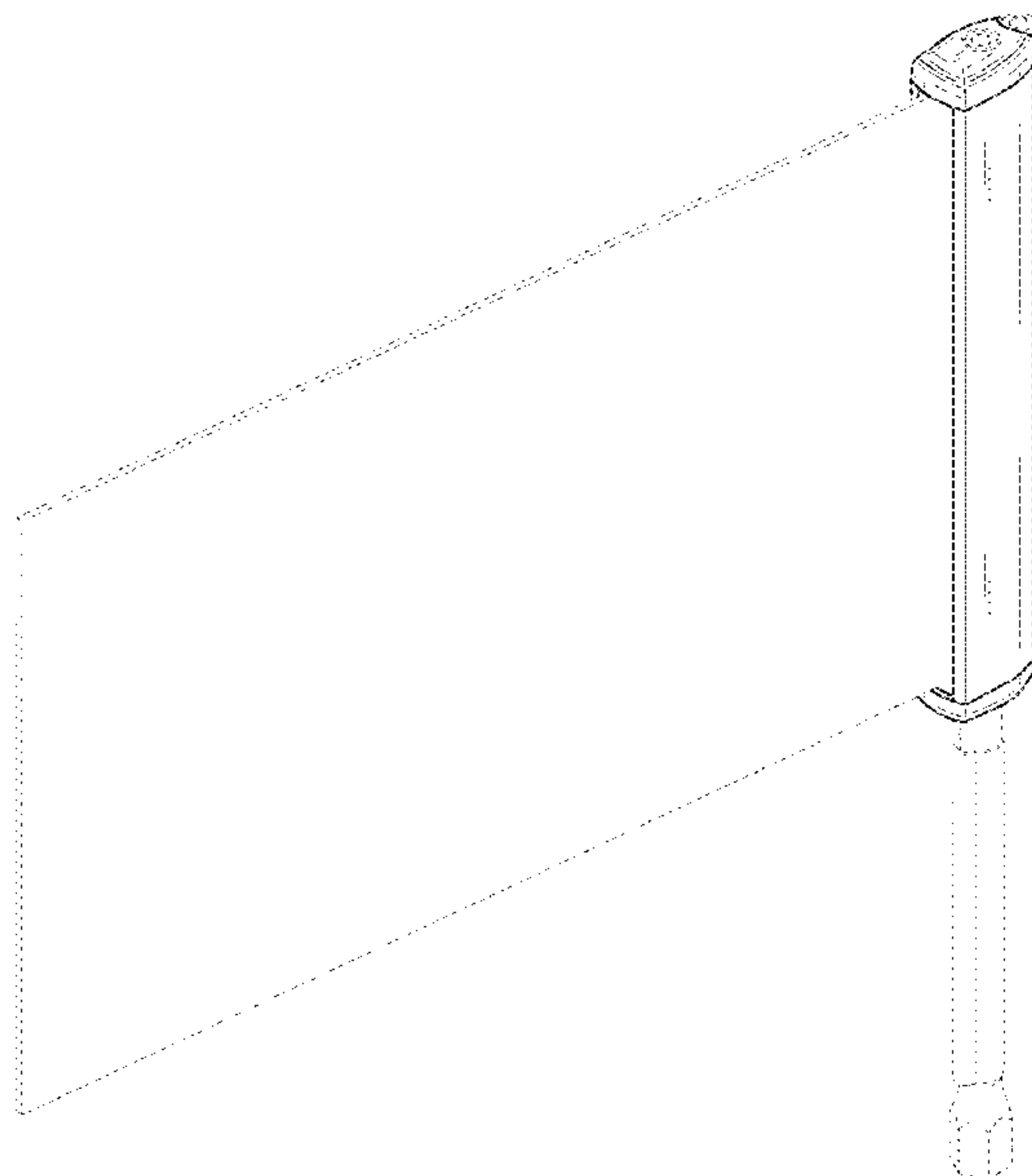
(57) **CLAIM**

The ornamental design for a flag mast cover, as shown and described.

DESCRIPTION

FIG. 1 is a perspective view of the flag mast cover.
FIG. 2 is a right side view thereof; the left side view being a mirror image.
FIG. 3 is a top side view thereof.
FIG. 4 is a bottom side view thereof.
FIG. 5 is a front elevational view thereof; and,
FIG. 6 is a rear elevational view thereof.
The broken lines in the drawings depict environmental subject matter that forms no part of the claimed design.

1 Claim, 6 Drawing Sheets



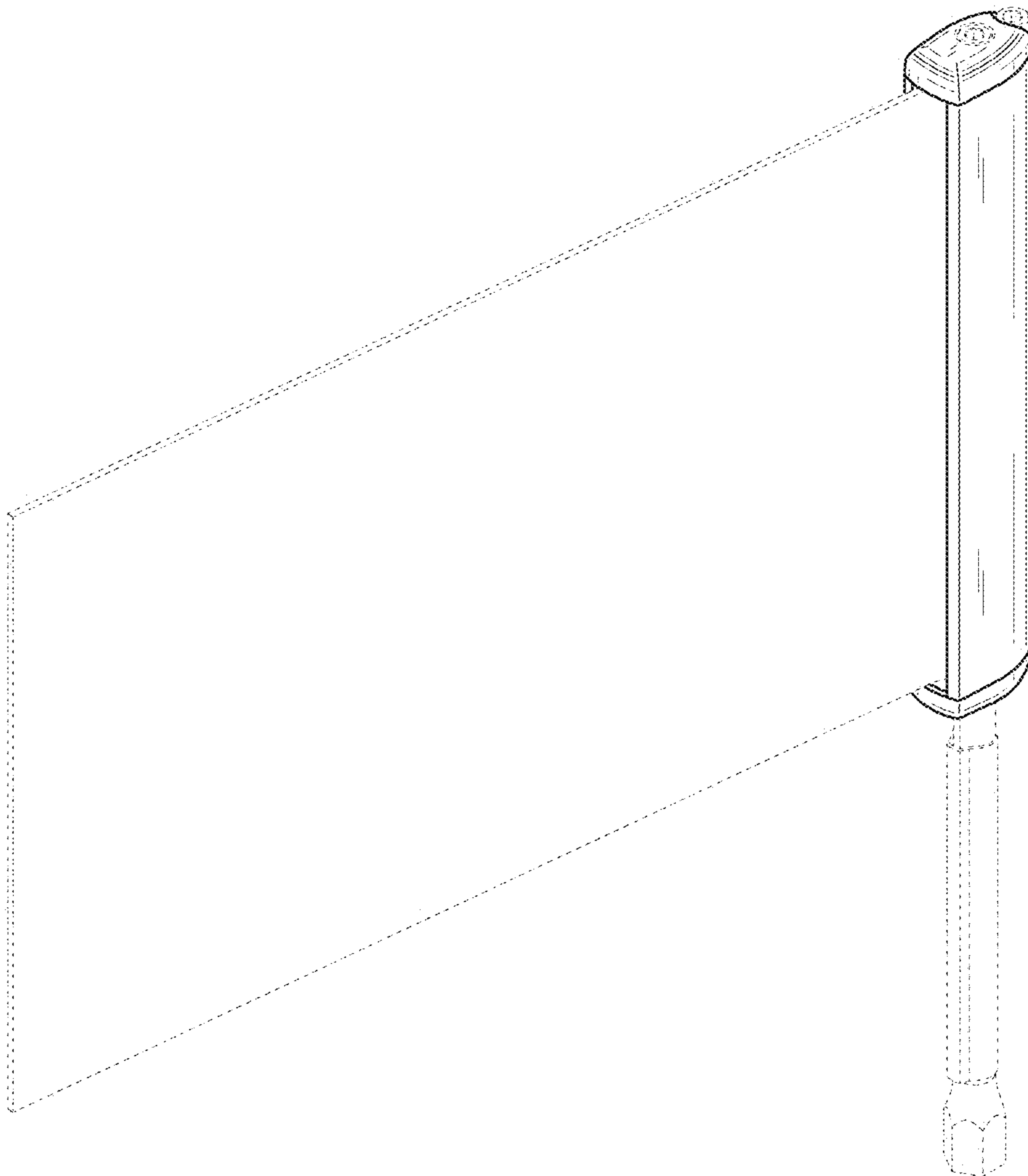


FIG. 1

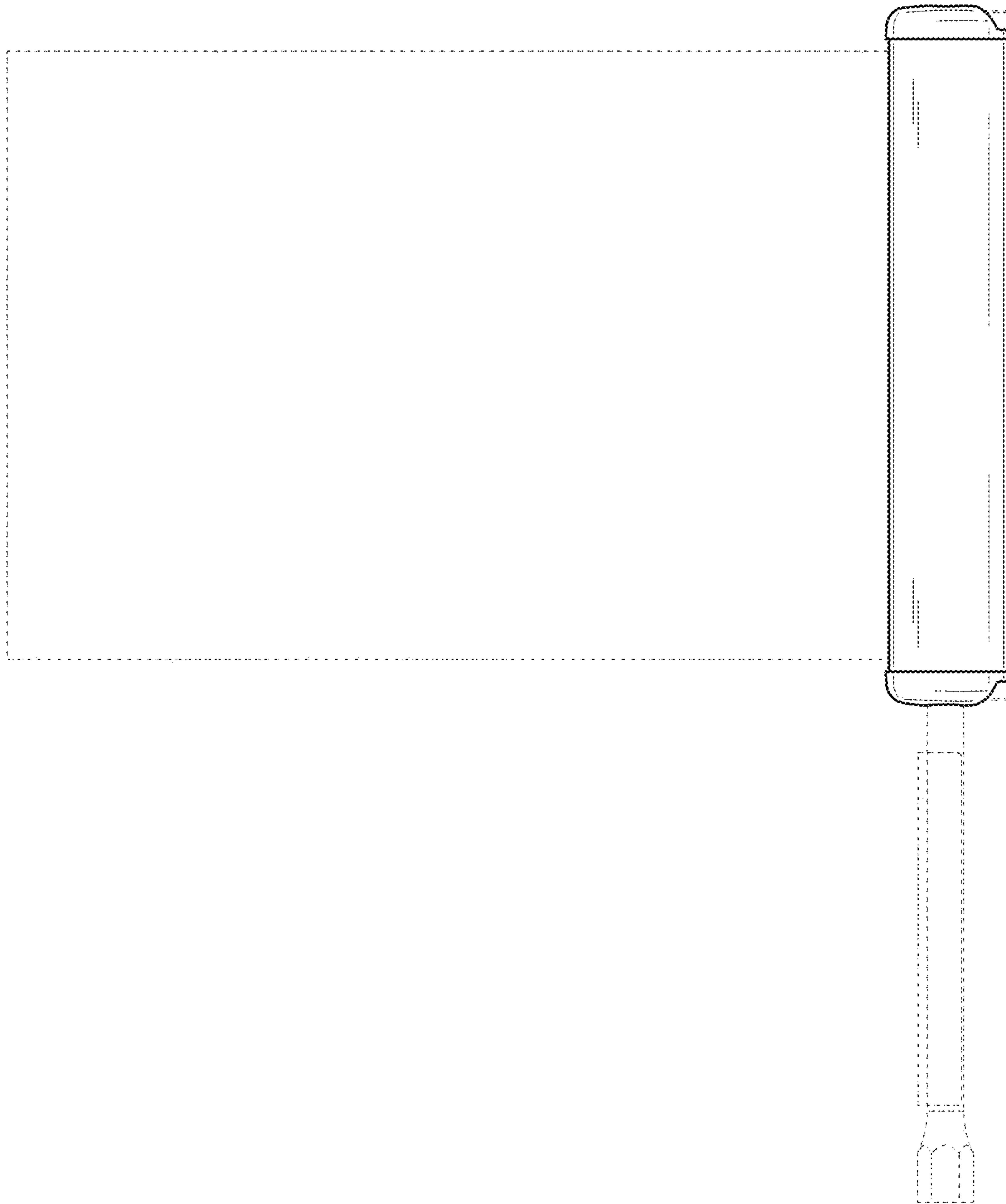


FIG. 2

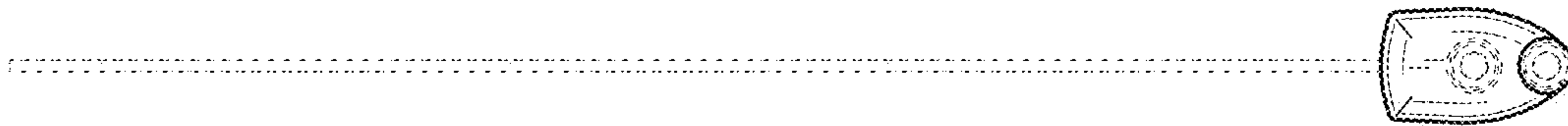


FIG. 3

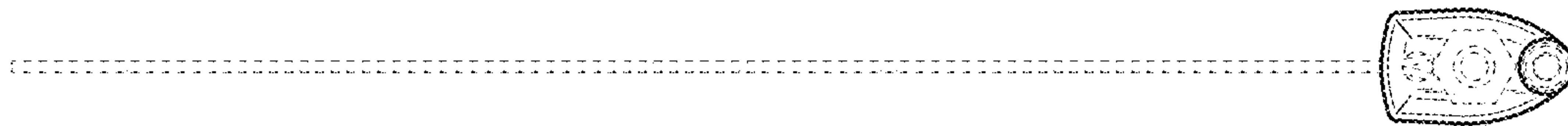


FIG. 4

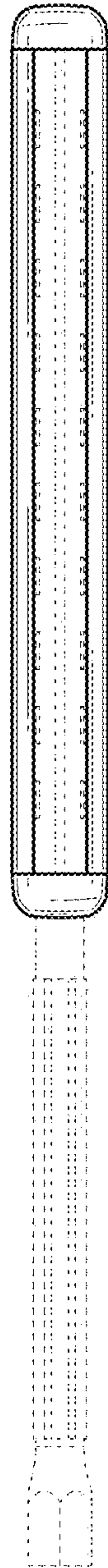


FIG. 5

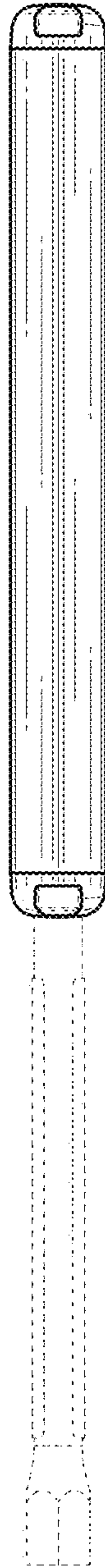


FIG. 6