



US00D973534S

(12) **United States Design Patent**
Chen

(10) **Patent No.:** **US D973,534 S**

(45) **Date of Patent:** **** Dec. 27, 2022**

(54) **WRISTBAND**

FOREIGN PATENT DOCUMENTS

(71) Applicant: **Hefei Danneng Trading Co., Ltd.**,
Hefei (CN)

KR 301114344.0000 * 6/2021

(72) Inventor: **Yun Chen**, Anqing (CN)

OTHER PUBLICATIONS

(73) Assignee: **Hefei Danneng Trading Co., Ltd.**,
Hefei (CN)

Heavier Tyvek Wristbands 7.5 Mil—Goldistock 2,000 Count Rainbow Variety Pack Amazon pp. 1-9 2016 <https://www.amazon.com/Goldistock-Tyvek-Wristbands-Rainbow-Variety/dp/B01NAFV4HG?th=1> (Year: 2016).*

(**) Term: **15 Years**

(Continued)

(21) Appl. No.: **29/843,699**

Primary Examiner — Kevin K Rudzinski
Assistant Examiner — Evans David Delesline
(74) *Attorney, Agent, or Firm* — Jeenam Park

(22) Filed: **Jun. 23, 2022**

(51) **LOC (13) Cl.** **11-01**

(52) **U.S. Cl.**
USPC **D11/3**

(58) **Field of Classification Search**
USPC D11/1-5, 6-10
CPC A44C 15/002
See application file for complete search history.

(57) **CLAIM**

The ornamental design for a wristband, as shown and described.

DESCRIPTION

FIG. 1 is a perspective view of a wristband, showing my new design;
FIG. 2 is another perspective view thereof;
FIG. 3 is a front view thereof;
FIG. 4 is a rear view thereof;
FIG. 5 is a left side view thereof;
FIG. 6 is a right side view thereof;
FIG. 7 is an enlarged top plan view thereof;
FIG. 8 is an enlarged bottom plan view thereof;
FIG. 9 is a perspective view of the connection between the two ends thereof;
FIG. 10 is an enlarged view of portion of FIG. 1 thereof;
FIG. 11 is an enlarged view of portion of FIG. 2 thereof; and,
FIG. 12 is an enlarged view of portion of FIG. 9 thereof.
The broken line showing of the wristband is for the purpose of illustrating portions of the article and forms no part of the claimed design. The dash-dot-dash line showing the boundary of the enlarged views form no part of the claimed design.

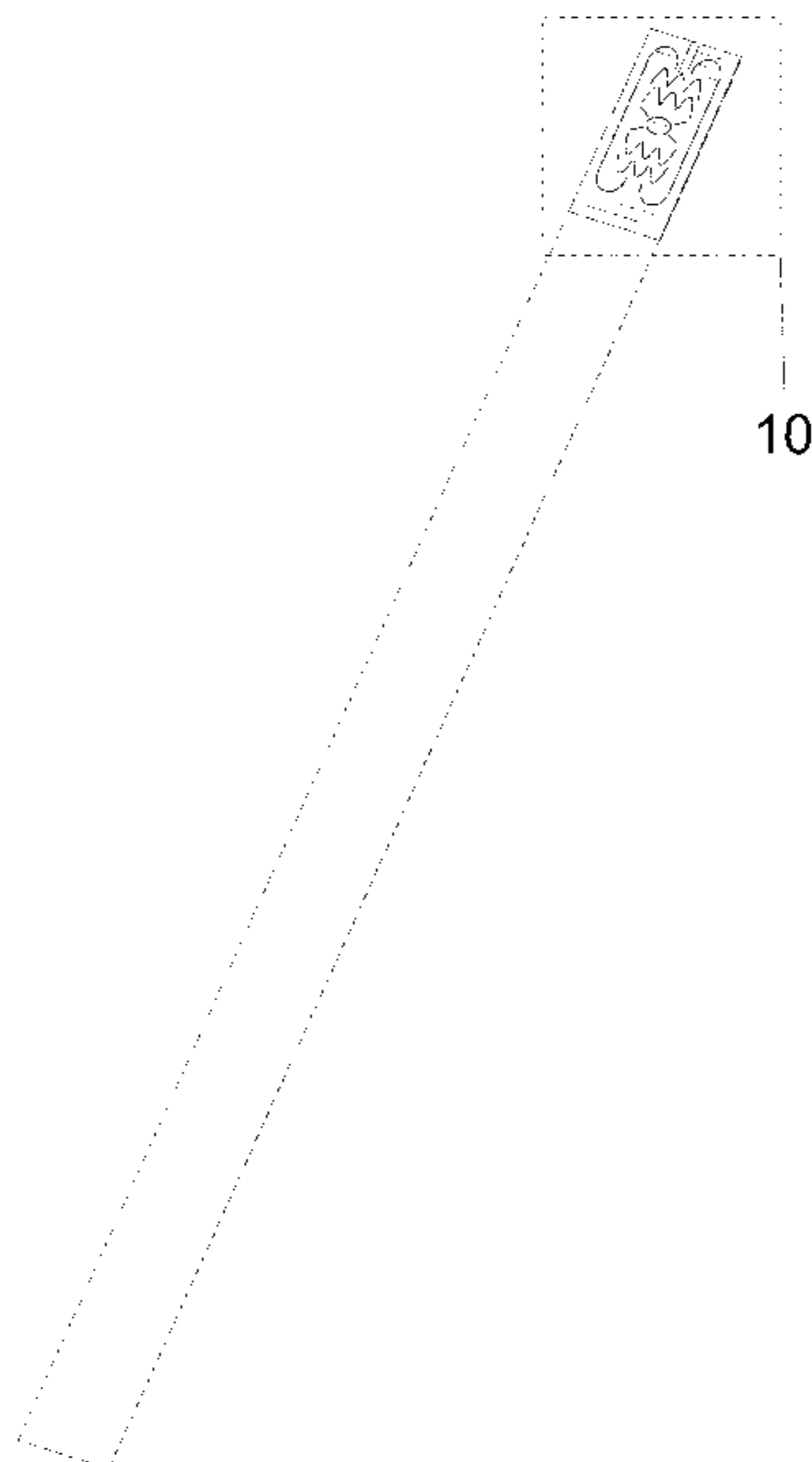
(56) **References Cited**

U.S. PATENT DOCUMENTS

4,963,410	A	*	10/1990	Bryant	A45F 3/14 24/265 AL
D317,730	S	*	6/1991	Mo	224/183
D324,437	S	*	3/1992	Davis	D30/152
D344,177	S	*	2/1994	Mennie	D2/610
D383,993	S	*	9/1997	Kalbach	D11/3
D390,492	S	*	2/1998	Riley	D11/5
D559,473	S	*	1/2008	Nguyen	D30/152
D594,629	S		6/2009	Tadevich		
D639,709	S		6/2011	Wanibuchi et al.		
D702,315	S	*	4/2014	Partrat	D3/215
D714,178	S	*	9/2014	Sabbioni	D11/3
D750,070	S	*	2/2016	Magi	D14/344
D762,263	S	*	7/2016	Canchola	D20/27
D804,335	S	*	12/2017	Bihan	D10/70

(Continued)

1 Claim, 12 Drawing Sheets



(56)

References Cited

U.S. PATENT DOCUMENTS

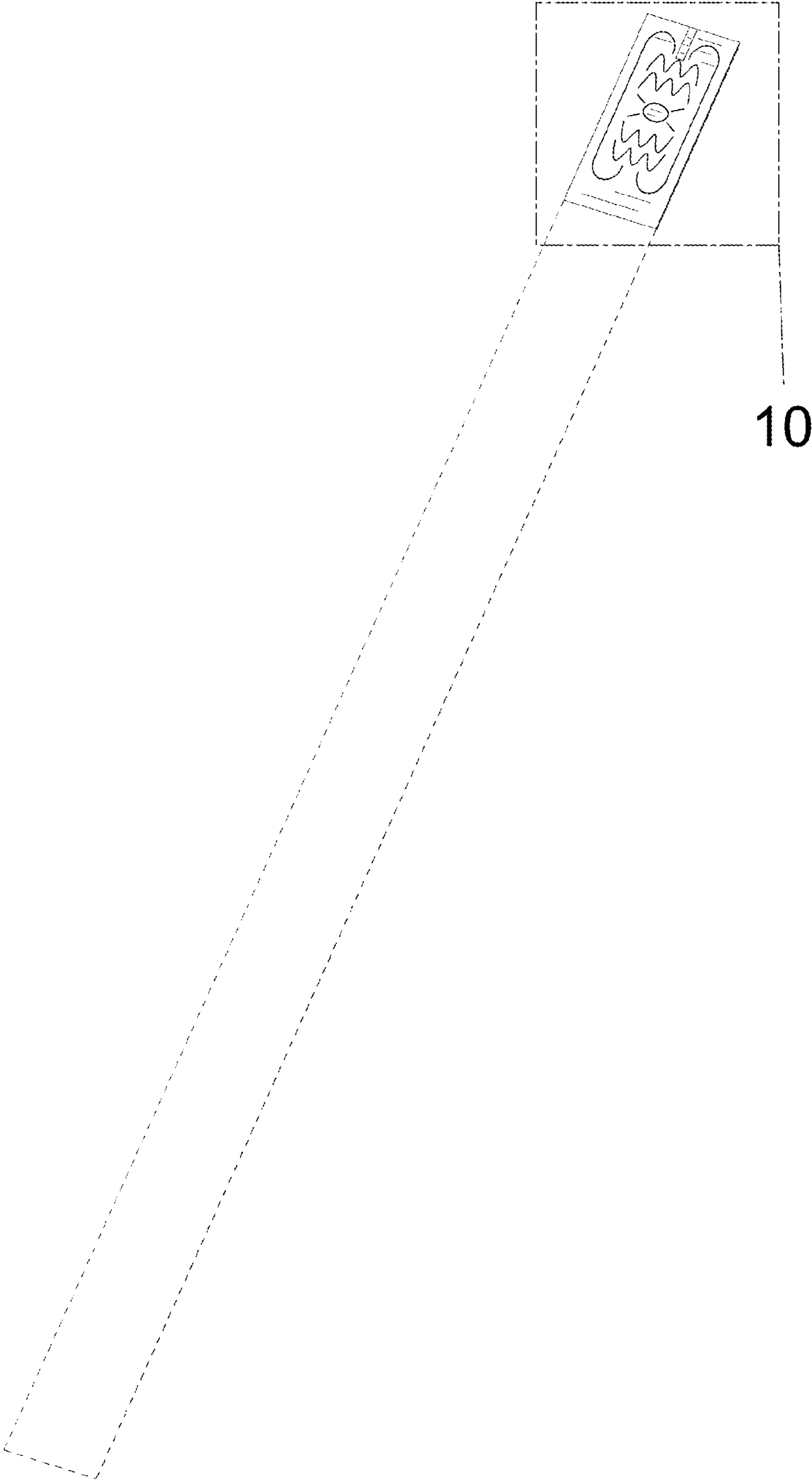
D853,501 S * 7/2019 Karvandi D2/627
D856,444 S * 8/2019 Karvandi D2/627
D857,543 S * 8/2019 Sirichai D11/3
D878,950 S * 3/2020 Ennis D11/3
D897,994 S * 10/2020 Bowers D14/218
D913,382 S * 3/2021 Karvandi D21/662
2003/0172436 A1 * 9/2003 Thompson F41B 15/00
2/170
2015/0185839 A1 * 7/2015 Magi G06F 3/0412
345/173

OTHER PUBLICATIONS

Advantus Tyvek® Wristbands—Zerbee pp. 1-5 2022 https://www.zerbee.com/Products/Advantus-Tyvek-Wristbands_AVT75443.aspx? (Year: 2022).*

600 Packs Paper Wristbands 6 Colors Neon Event Wristbands Waterproof Paper Club Hand Bands Identification Wristbands for Party Music Festival Concert Bar Playground Entrance CIEOVO pp. 1-7 2022 https://www.amazon.com/Wristbands-Waterproof-Identification-Festival-Playground/dp/B0B49RHKGR/ref=sr_1_41? (Year: 2022).*

* cited by examiner



10

FIG. 1

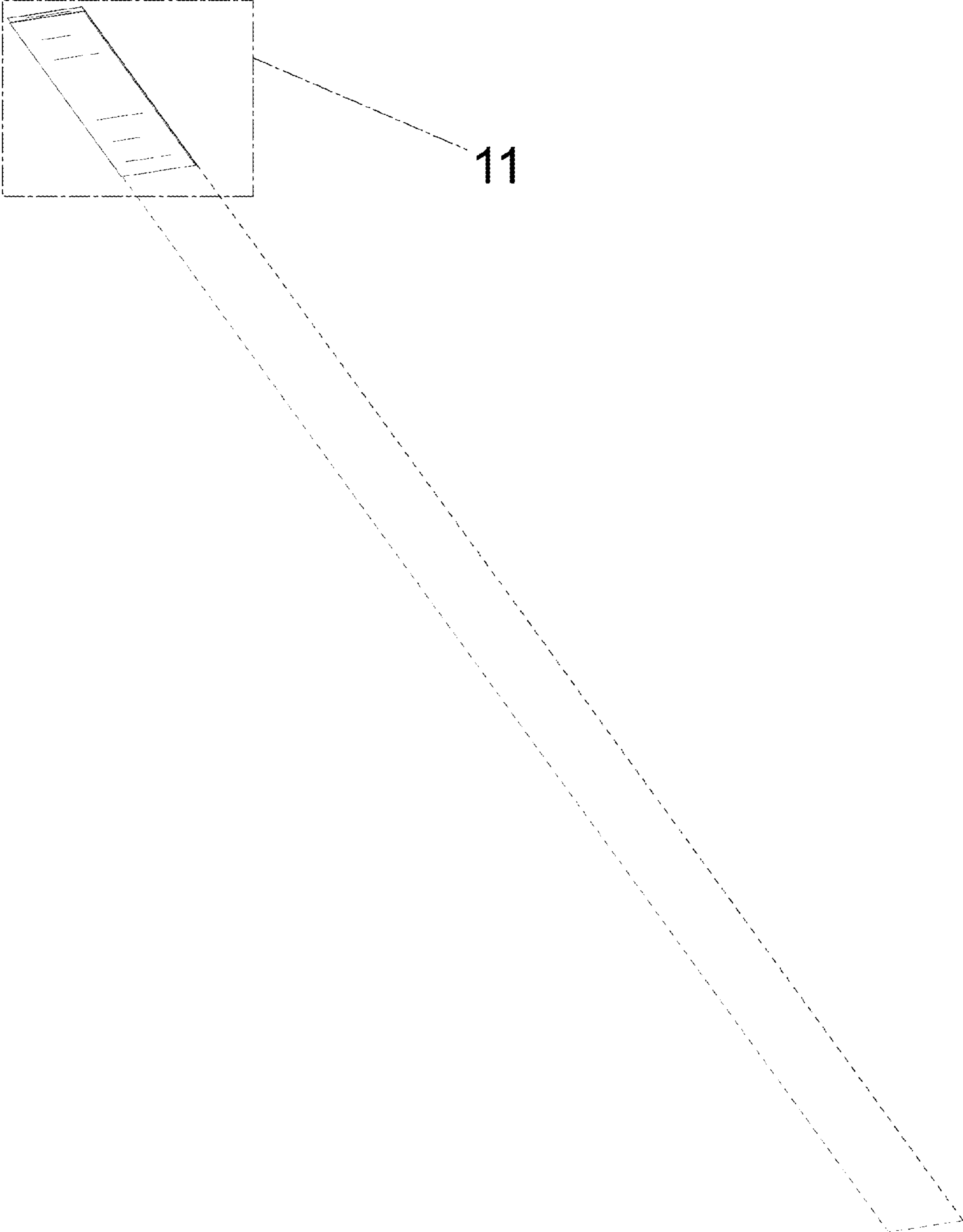


FIG. 2

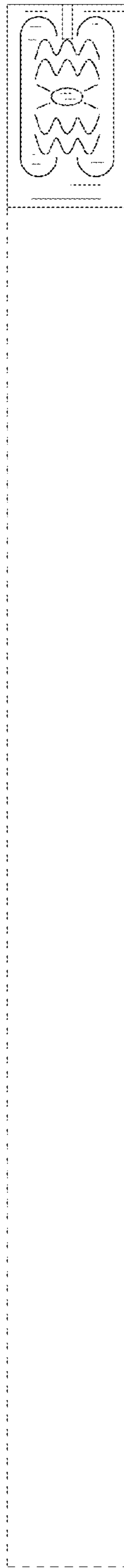


FIG. 3

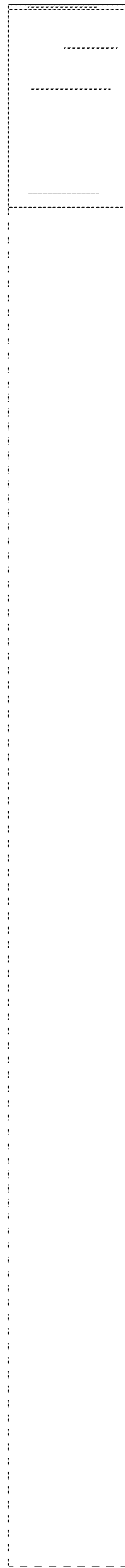


FIG. 4



FIG. 5



FIG. 6



FIG. 7

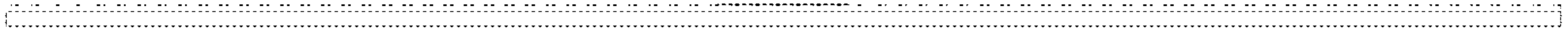


FIG. 8

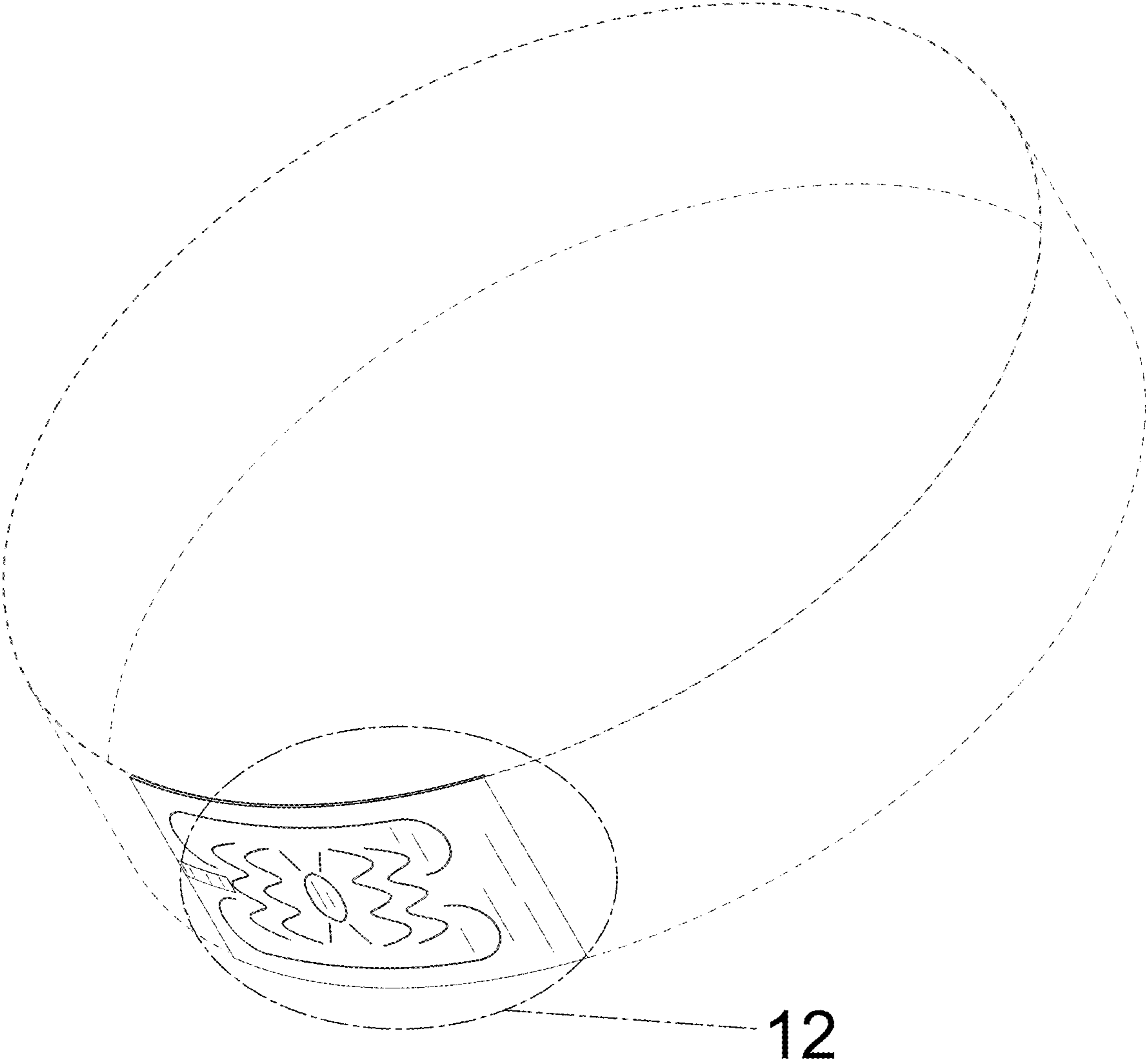


FIG. 9

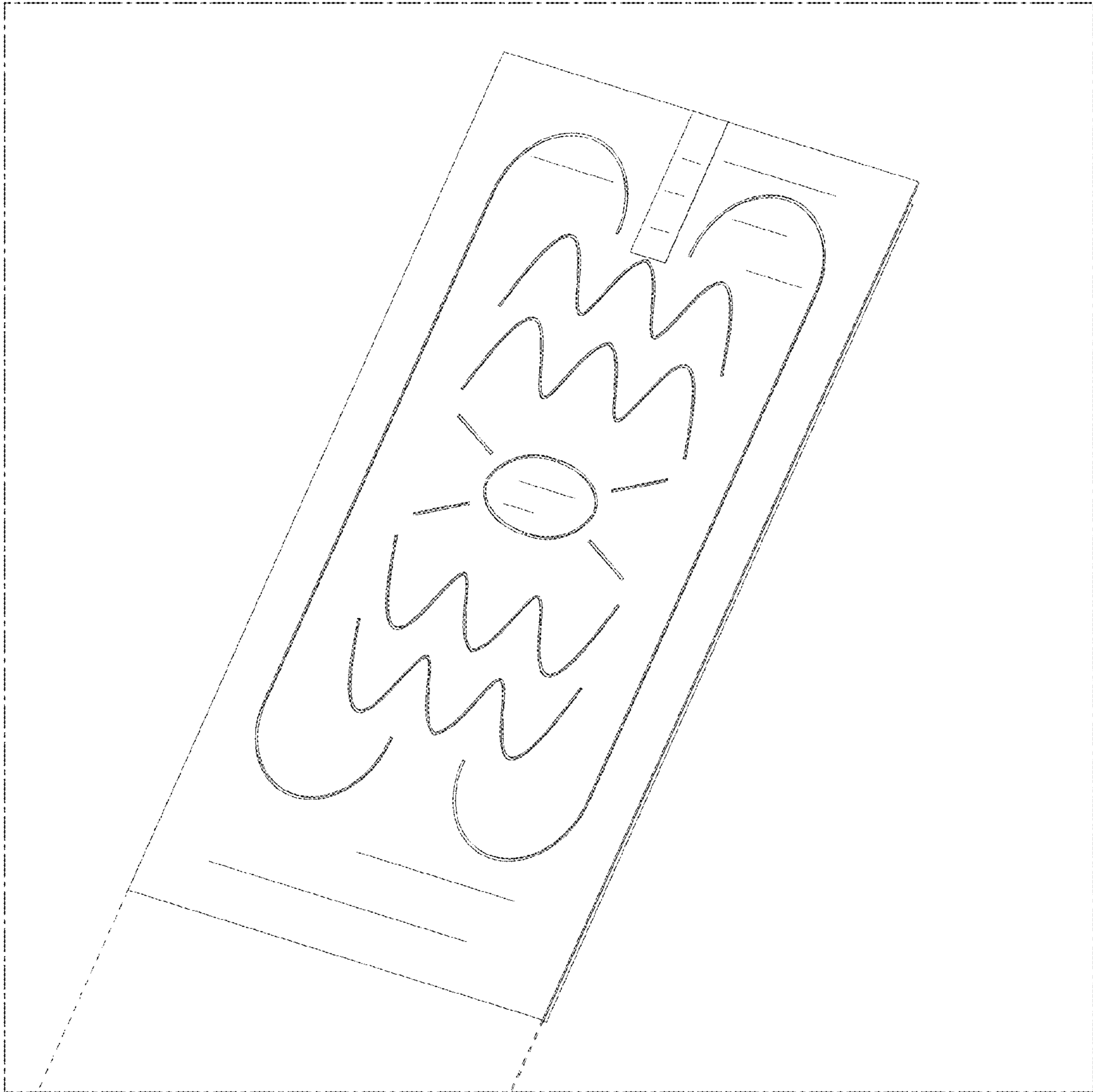


FIG. 10

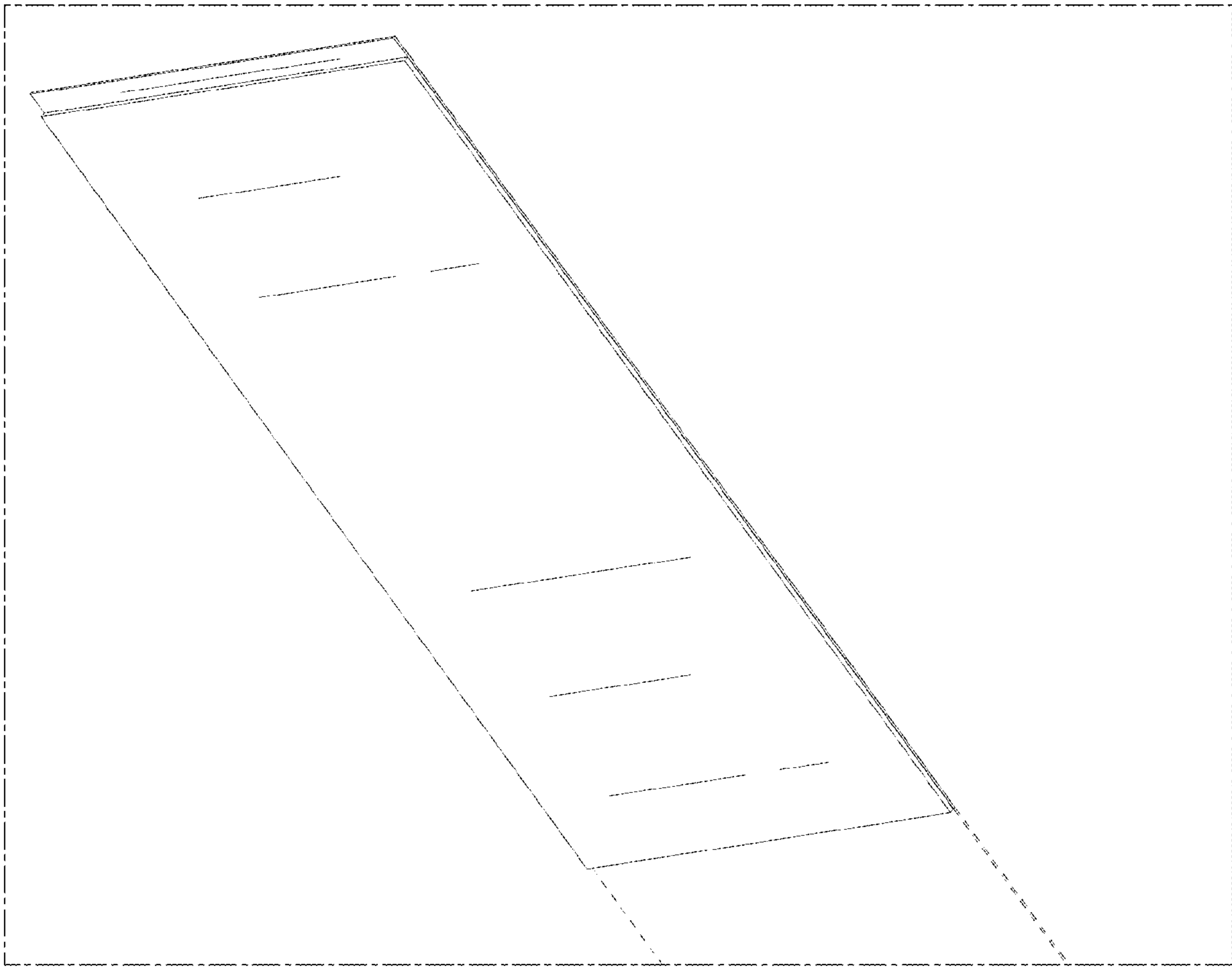


FIG. 11

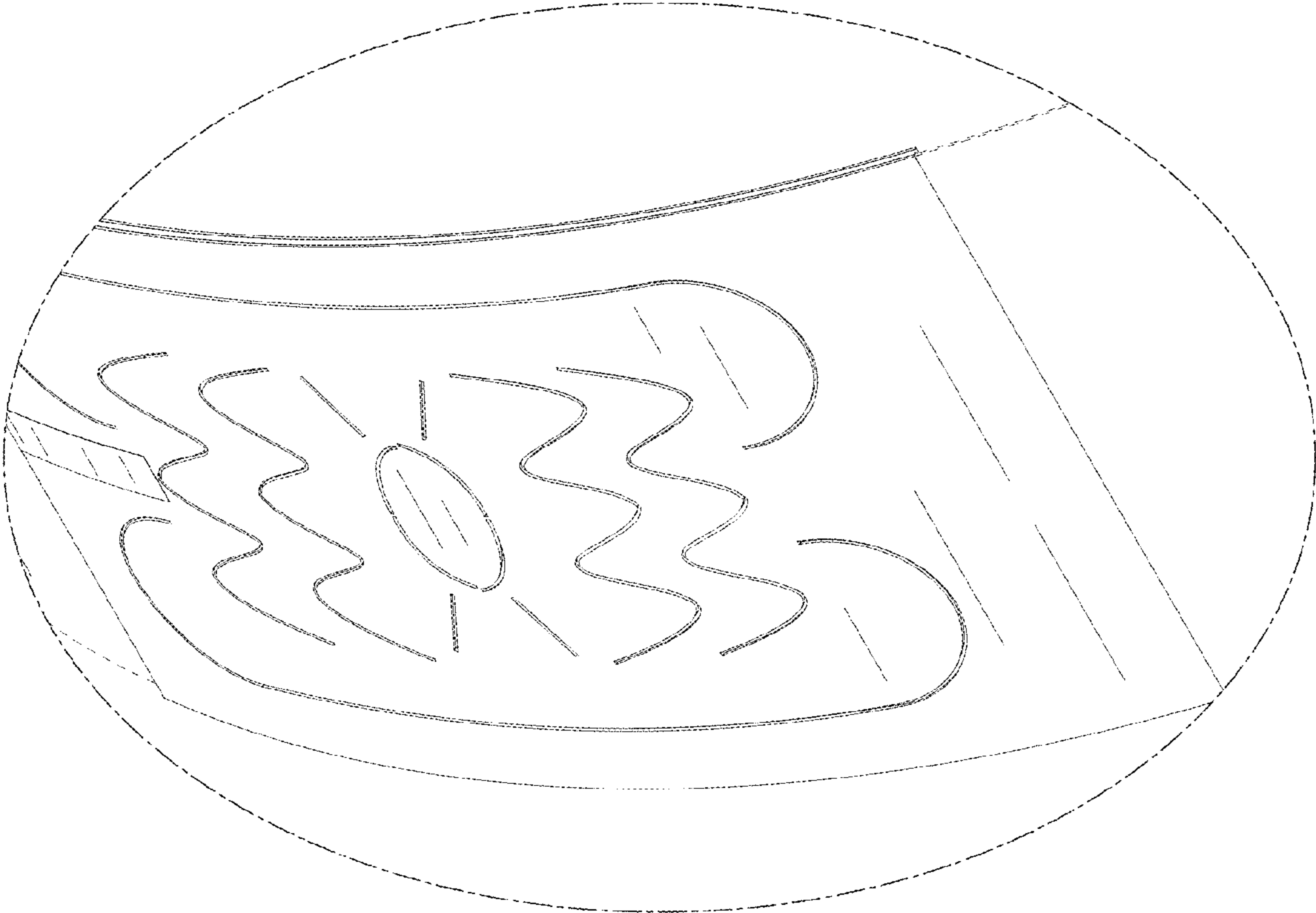


FIG. 12