



US00D973533S

(12) **United States Design Patent** (10) **Patent No.:** **US D973,533 S**  
**Luo** (45) **Date of Patent:** **\*\* Dec. 27, 2022**

(54) **STRAP**  
(71) Applicant: **Kefeng Luo**, Jinggangshan (CN)  
(72) Inventor: **Kefeng Luo**, Jinggangshan (CN)  
(\*\*) Term: **15 Years**  
(21) Appl. No.: **29/820,011**

D350,911 S \* 9/1994 Bert ..... D11/19  
D432,446 S \* 10/2000 Santos ..... D11/5  
D488,392 S \* 4/2004 Tschumi ..... D10/32  
(Continued)

**FOREIGN PATENT DOCUMENTS**

CN 305178211 \* 5/2019  
CN 306430954 \* 4/2021  
(Continued)

**OTHER PUBLICATIONS**

Liramark [online] URL: <https://www.amazon.in/LIRAMARK-Leather-Strap-Compatible-iWatch/dp/B083BXF7X9?th=1> (site visited: Sep. 1, 2022) (Year: 2019).\*  
(Continued)

*Primary Examiner* — Jae Liang  
*Assistant Examiner* — Tia Ruth-Renee Polidori

(57) **CLAIM**

The ornamental design for a strap, as shown and described.

**DESCRIPTION**

FIG. 1 is a perspective view of a strap showing my new design;  
FIG. 2 is another perspective view thereof;  
FIG. 3 is a front elevational view thereof;  
FIG. 4 is a rear elevational view thereof;  
FIG. 5 is a left side elevational view thereof;  
FIG. 6 is a right side elevational view thereof;  
FIG. 7 is a top plan view thereof;  
FIG. 8 is a bottom plan view thereof; and,  
FIG. 9 is an enlarged view of portion 9 shown in FIG. 1.  
The dash-dash broken lines in the drawings depict portions of the strap that form no part of the claimed design. The dot-dash broken lines represent the boundary of the enlarged portion and form no part of the claimed design.

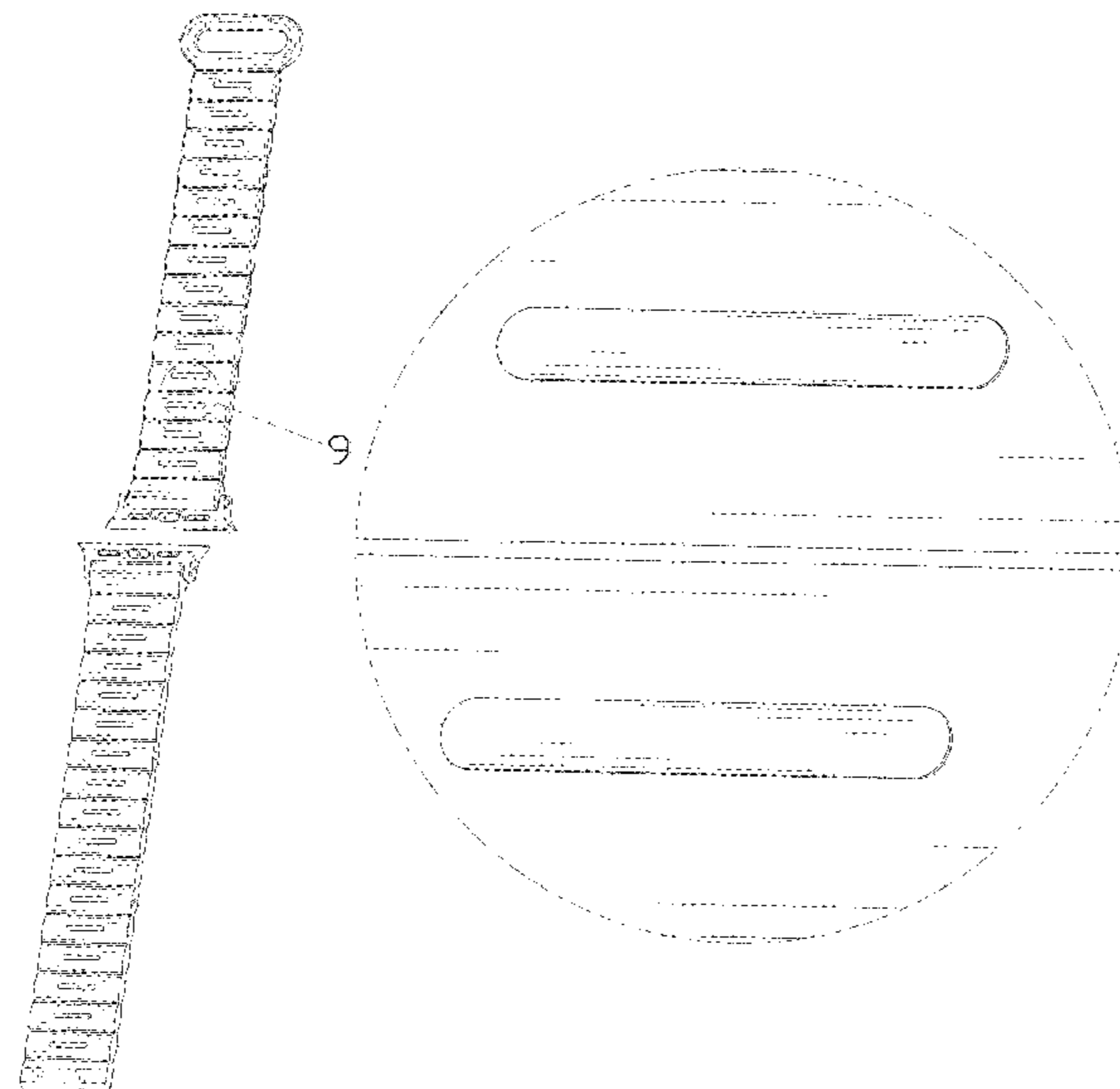
**1 Claim, 9 Drawing Sheets**

(22) Filed: **Dec. 20, 2021**  
(51) **LOC (13) Cl.** ..... **11-01**  
(52) **U.S. Cl.**  
USPC ..... **D11/3; D14/344**  
(58) **Field of Classification Search**  
USPC .... D11/1–25, 86, 87, 93, 94, 234, 235, 231;  
224/164, 175; 600/301; D10/30–39, 70,  
D10/46; 368/282, 285; D14/344;  
D24/167, 186, 187  
CPC .... G04B 37/1486; G04B 37/16; G04B 37/18;  
G04B 37/00; A44C 5/14; A44C 5/0053;  
A44C 5/0069; A44C 5/0076; A44C 5/00;  
A44C 5/0007; A44C 5/0015; A44C  
5/0023; A44C 5/003; A44C 5/0061; A44C  
5/12; A44C 5/147; A44C 5/18; A44C  
5/185; A44C 5/2047; A44C 5/2052; A44B  
11/006; A44B 11/24  
See application file for complete search history.

(56) **References Cited**

**U.S. PATENT DOCUMENTS**

1,764,440 A \* 6/1930 Gammell ..... A44C 5/22  
24/68 J  
D153,123 S \* 3/1949 Duester ..... D11/20  
D249,244 S \* 9/1978 Salter ..... D10/38  
D256,568 S \* 8/1980 Young ..... D11/25  
D289,502 S \* 4/1987 Woomer ..... D10/38  
D303,503 S \* 9/1989 Kai ..... D10/39  
D331,020 S \* 11/1992 Ishii ..... D10/97  
D339,309 S \* 9/1993 Butler ..... D11/19  
D340,664 S \* 10/1993 Butler ..... D11/19



(56)

References Cited

U.S. PATENT DOCUMENTS

D727,198 S \* 4/2015 Akana ..... D11/3  
 D731,346 S \* 6/2015 Akana ..... D11/3  
 D737,156 S \* 8/2015 Akana ..... D10/70  
 D746,718 S \* 1/2016 Akana ..... D11/3  
 D749,977 S \* 2/2016 Akana ..... D11/86  
 D750,524 S \* 3/2016 Akana ..... D11/86  
 D751,070 S \* 3/2016 Akana ..... D14/344  
 D751,927 S \* 3/2016 Li ..... D10/128  
 D755,070 S \* 5/2016 Akana ..... D11/5  
 D756,823 S \* 5/2016 Akana ..... D10/70  
 D757,590 S \* 5/2016 Akana ..... D11/3  
 D757,594 S \* 5/2016 Akana ..... D11/5  
 D758,219 S \* 6/2016 Akana ..... D10/70  
 D760,107 S \* 6/2016 Akana ..... D11/5  
 D761,793 S \* 7/2016 Akana ..... D10/70  
 D768,030 S \* 10/2016 Akana ..... D11/86  
 D772,867 S \* 11/2016 Park ..... D10/70  
 D784,326 S \* 4/2017 Akana ..... D14/344  
 D784,327 S \* 4/2017 Akana ..... D10/70  
 D789,229 S \* 6/2017 Akana ..... D11/3  
 D793,271 S 8/2017 Cerrato  
 D800,007 S 10/2017 Tibi  
 D830,886 S \* 10/2018 Akana ..... D11/94  
 D833,909 S \* 11/2018 Akana ..... D11/94  
 D834,446 S \* 11/2018 Akana ..... D11/94  
 D842,855 S \* 3/2019 Akana ..... D14/344  
 D847,012 S \* 4/2019 Akana ..... D11/3  
 D848,894 S \* 5/2019 Yu ..... D11/3  
 D850,945 S \* 6/2019 Akana ..... D10/70

D853,881 S \* 7/2019 Akana ..... D11/3  
 D865,536 S \* 11/2019 Akana ..... D14/344  
 D904,922 S \* 12/2020 Akana ..... D11/94  
 D932,332 S \* 10/2021 Akana ..... D11/3  
 D938,849 S \* 12/2021 Akana ..... D11/3  
 D947,184 S \* 3/2022 Akana ..... D14/344  
 D954,586 S \* 6/2022 Huang ..... D10/32  
 D955,255 S \* 6/2022 Cai ..... D11/3  
 2005/0210857 A1\* 9/2005 Carrola ..... A44C 17/0258  
 59/80

FOREIGN PATENT DOCUMENTS

CN 307300749 \* 4/2022  
 CN 307435158 \* 7/2022  
 CN 307480282 \* 8/2022  
 CN 307480283 \* 8/2022  
 CN 307485757 \* 8/2022  
 CN 307516172 \* 8/2022  
 CN 307536955 \* 9/2022

OTHER PUBLICATIONS

Amhello [online] URL: <https://www.amazon.com/amhello-Leather-Strong-Magnetic-Compatible/dp/B09YXN6W7T> (site visited: Sep. 1, 2022) (Year: 2022).\*  
 Soloup [online] URL: <https://www.amazon.com/Silicone-Magnetic-Compatible-Adjustable-iWatch/dp/B0B1MB75H8?th=1> (site visited: Sep. 1, 2022) (Year: 2022).\*

\* cited by examiner

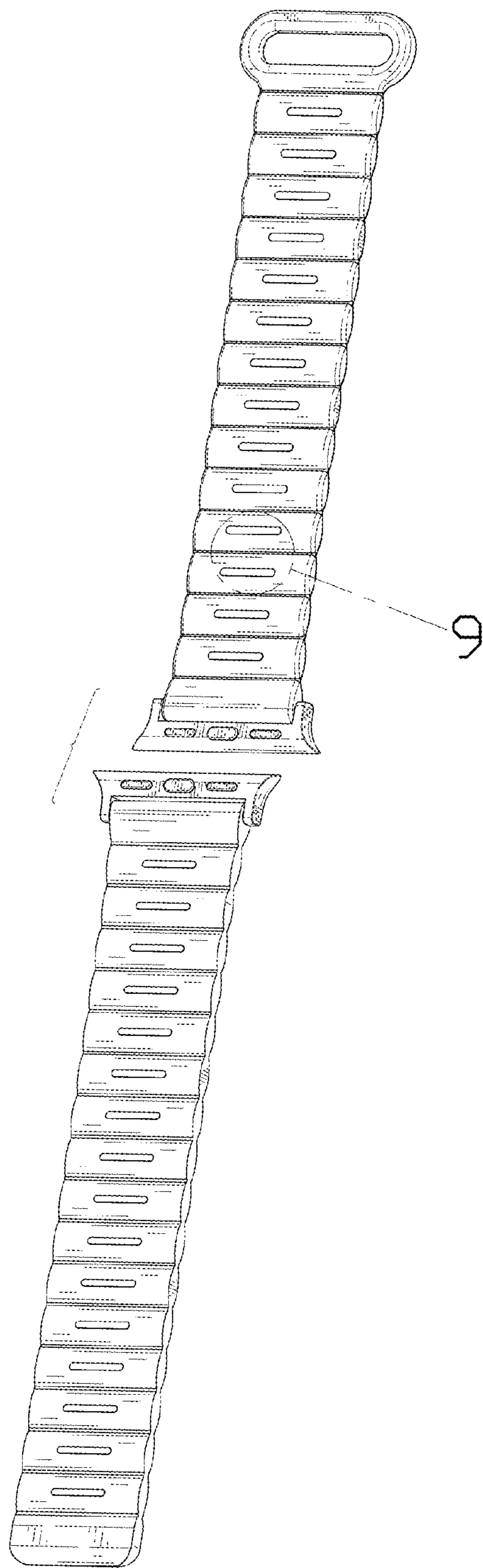


FIG. 1

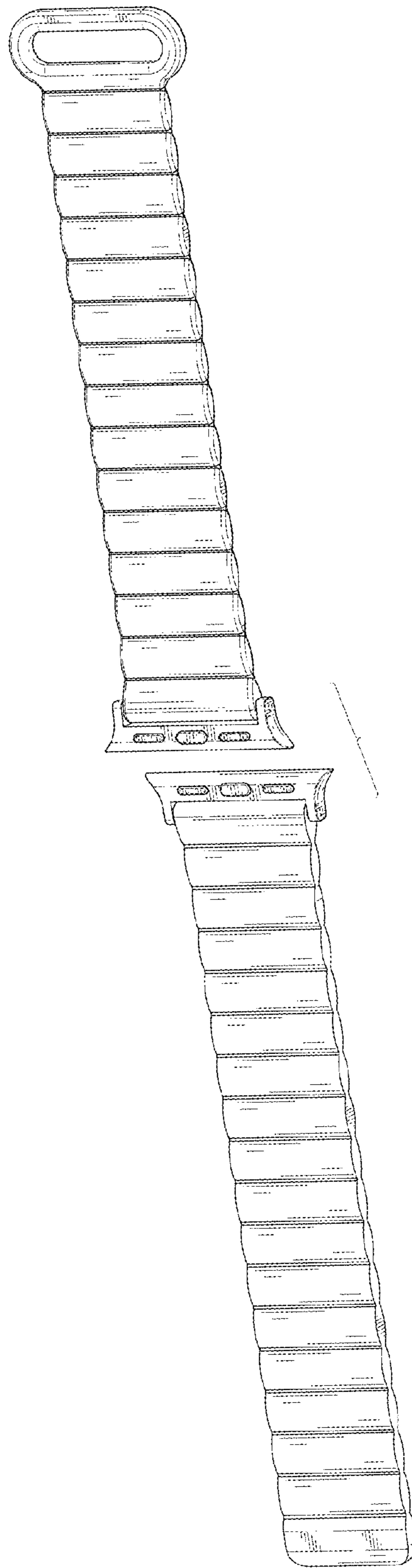


FIG. 2



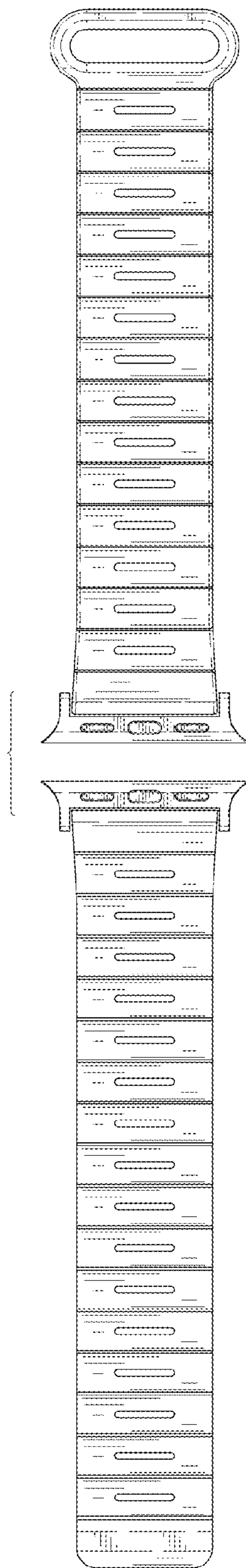


FIG. 3

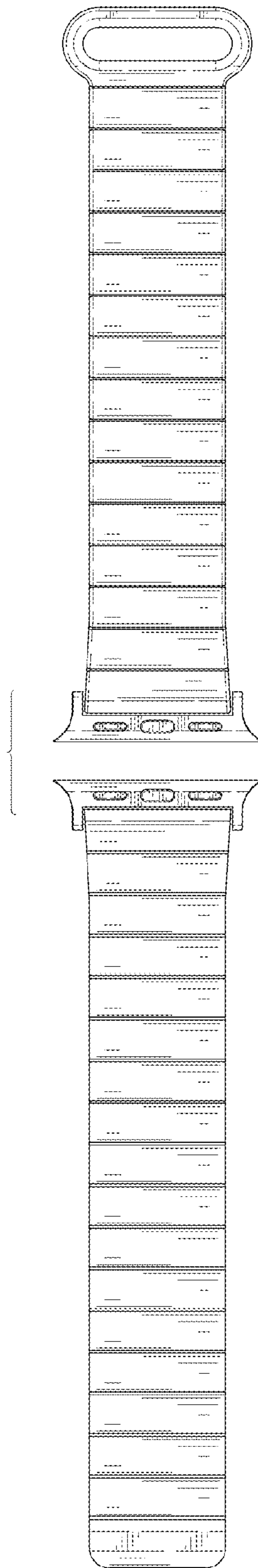


FIG. 4

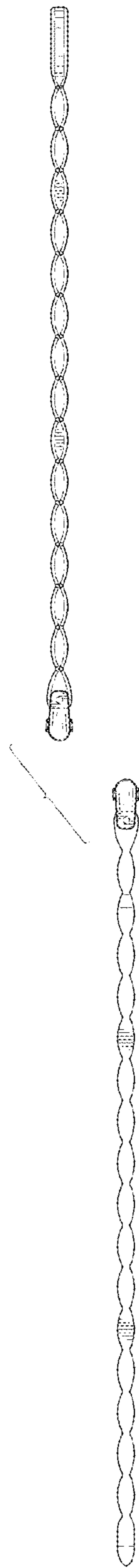


FIG. 5

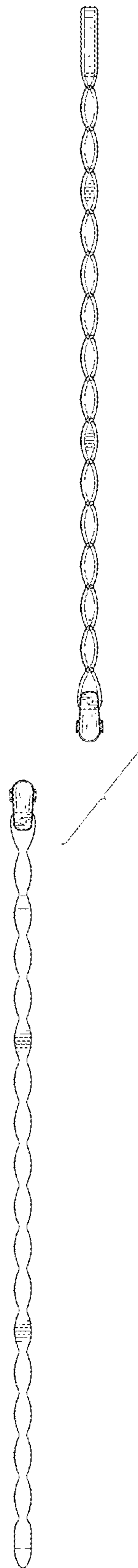


FIG. 6



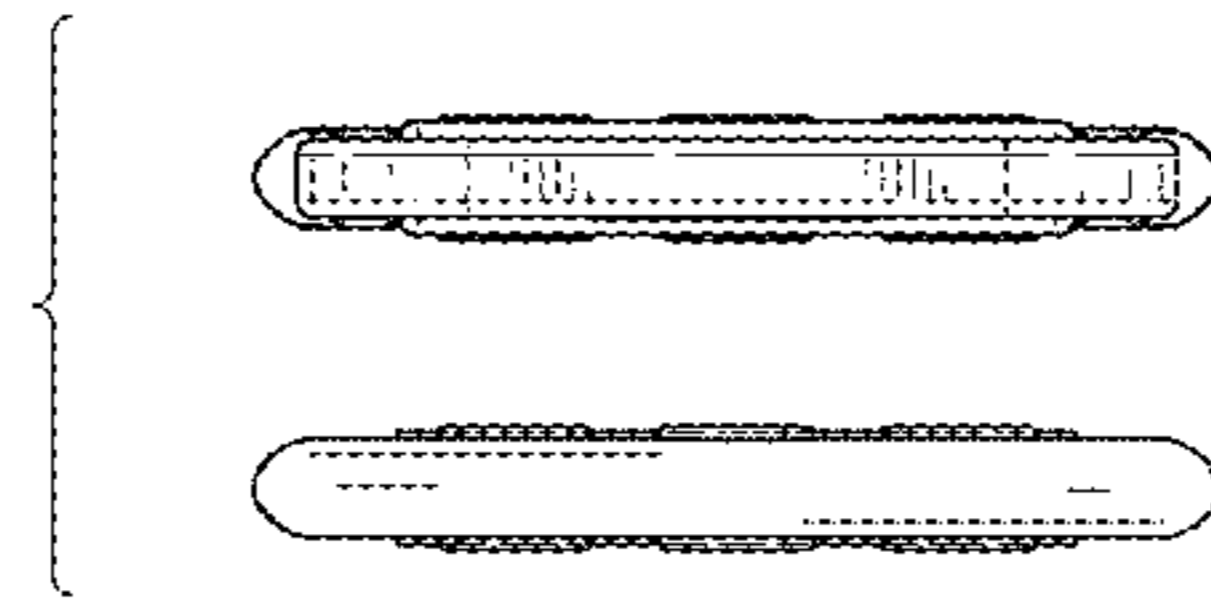


FIG. 7

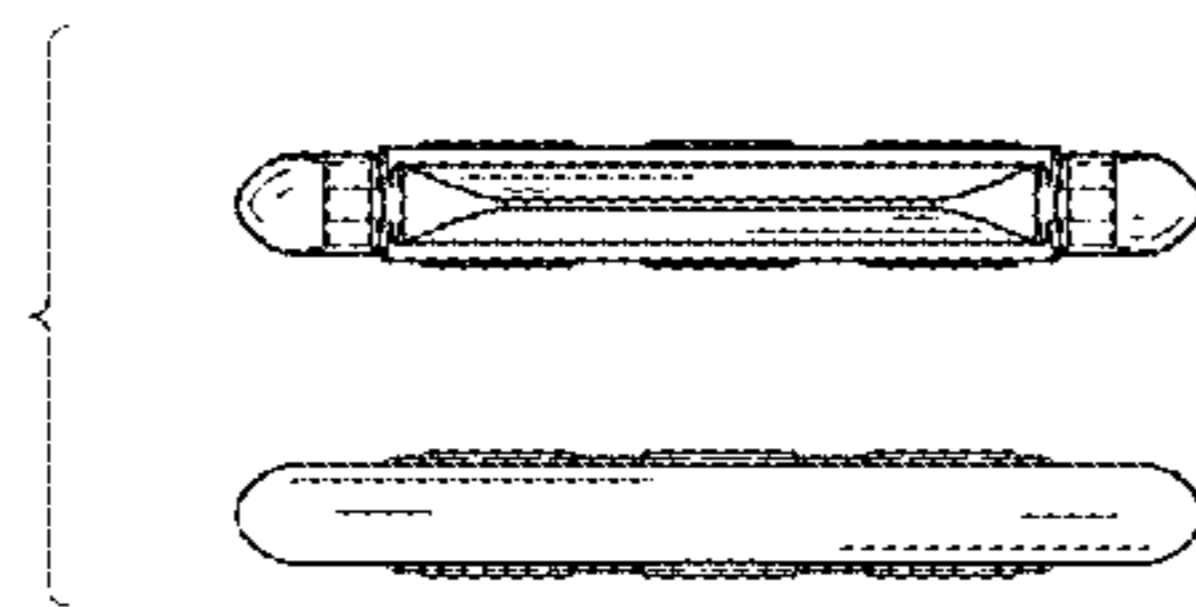


FIG. 8

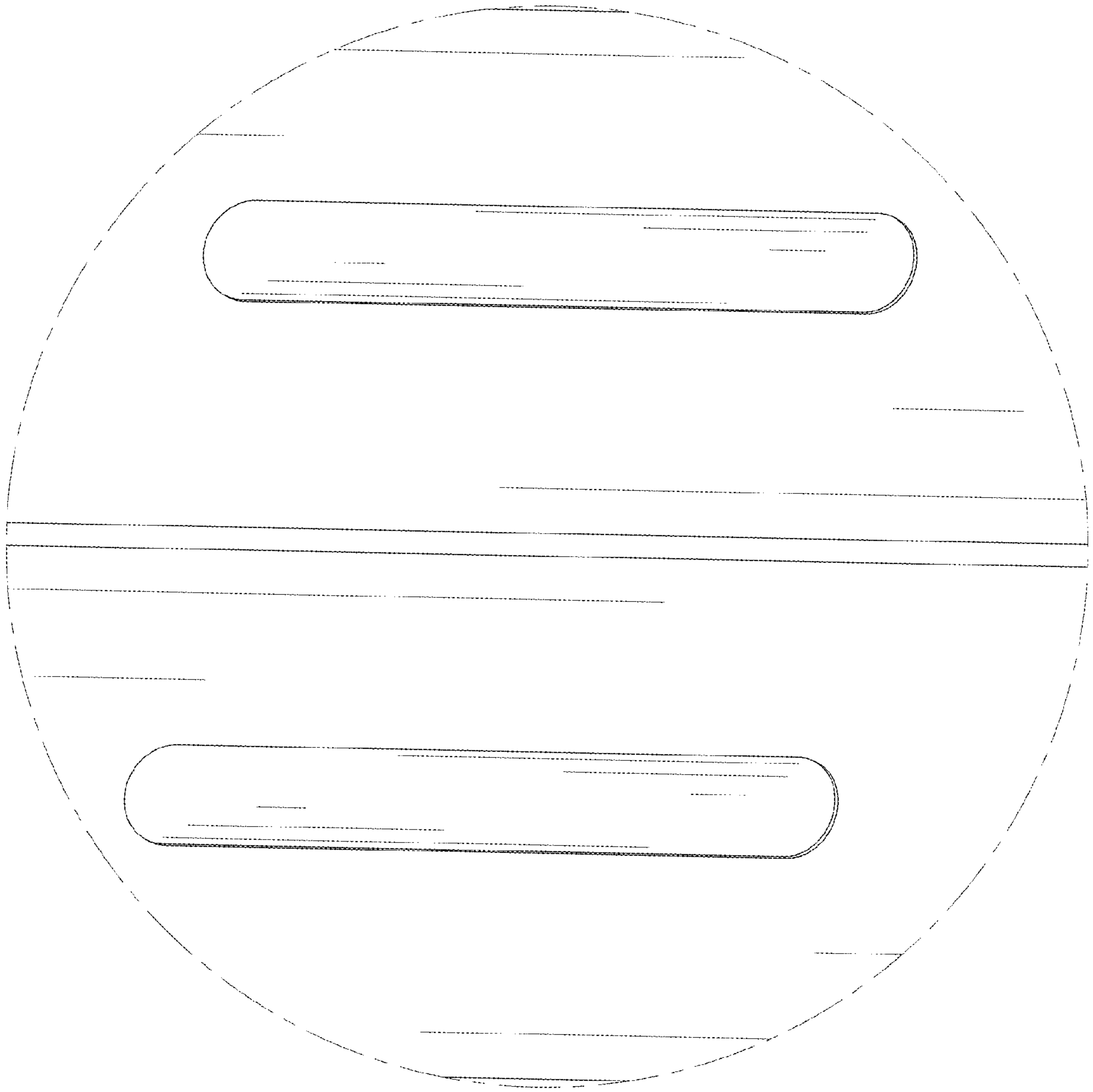


FIG. 9