



US00D973532S

(12) **United States Design Patent** (10) **Patent No.:** **US D973,532 S**  
**Zheng** (45) **Date of Patent:** **\*\* Dec. 27, 2022**

- (54) **WATCH STRAP**
- (71) Applicant: **Fengying Zheng**, Yongzhou (CN)
- (72) Inventor: **Fengying Zheng**, Yongzhou (CN)
- (73) Assignee: **Wanli Sun**, Hunan (CN)
- (\*\*) Term: **15 Years**
- (21) Appl. No.: **29/786,538**
- (22) Filed: **Jun. 1, 2021**
- (51) **LOC (13) Cl.** ..... **11-01**
- (52) **U.S. Cl.**  
USPC ..... **D11/3**
- (58) **Field of Classification Search**  
USPC ..... D11/1-5; D10/30-32, 38, 70; D14/344  
CPC ... A44C 5/0007; A44C 5/0015; A44C 5/0053;  
A44C 5/2052; A44C 5/2071; A44C 5/246  
See application file for complete search history.

D884,695 S *	5/2020	Jones	.....	D14/344
D894,033 S *	8/2020	Zhang	.....	D11/3
D894,179 S *	8/2020	Chung	.....	D14/344
D895,471 S *	9/2020	Zhang	.....	D11/3
D903,663 S *	12/2020	Jones	.....	D14/344
D904,219 S	12/2020	Herz	.....	
D904,921 S *	12/2020	Chung	.....	D14/344
D911,205 S *	2/2021	Chung	.....	D11/3
D923,004 S *	6/2021	Gao	.....	D14/344
D946,446 S *	3/2022	Zheng	.....	D11/3
D951,124 S *	5/2022	Deng	.....	D10/32
2020/0205530 A1 *	7/2020	Hinds	.....	A44C 5/0007
2021/0145135 A1 *	5/2021	Tan	.....	A44C 5/14

\* cited by examiner

*Primary Examiner* — Llorellys Martinez

(57) **CLAIM**

The ornamental design for a watch strap, as shown and described.

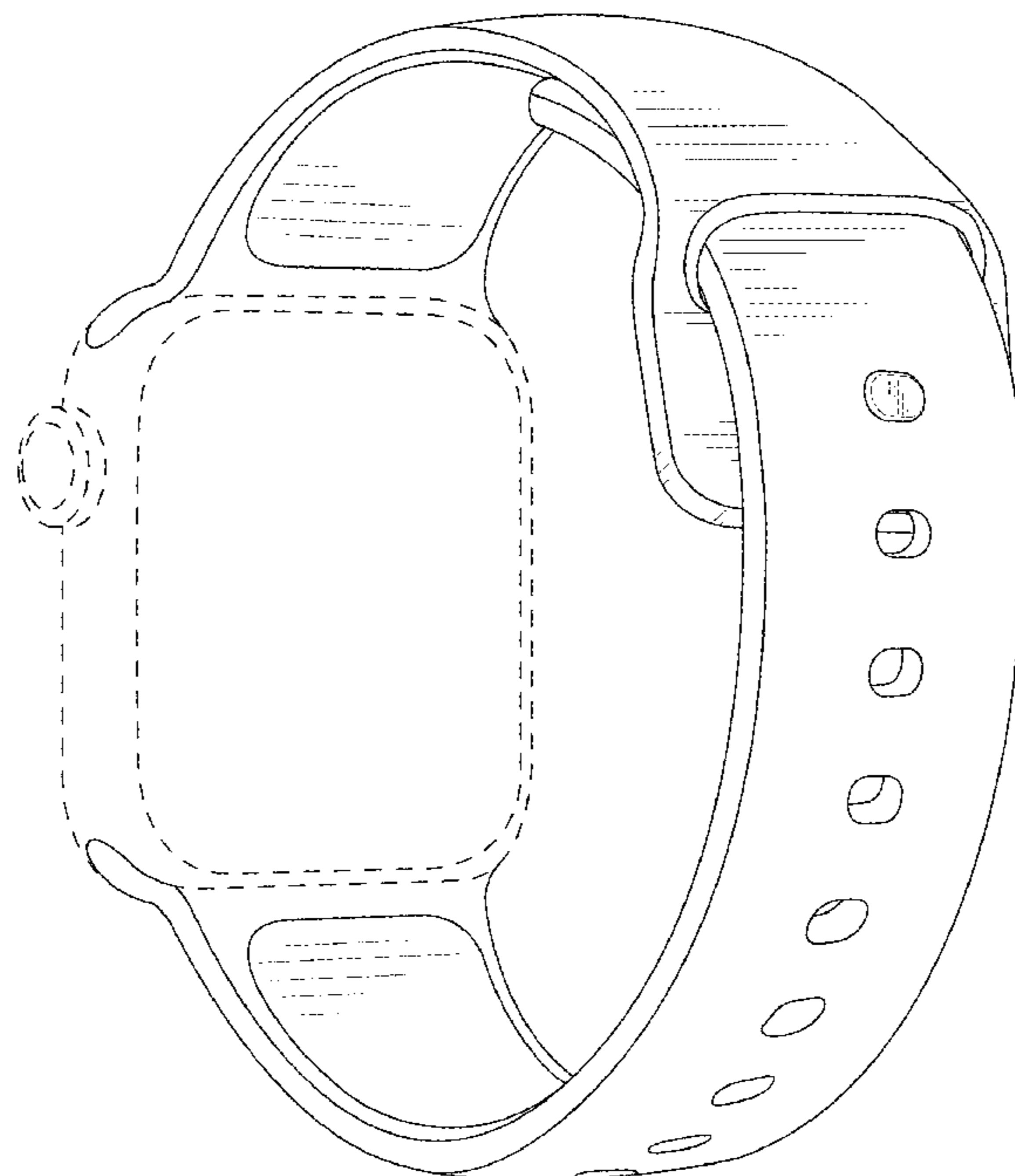
**DESCRIPTION**

FIG. 1 is a rear and right perspective view of a watch strap, showing my new design in a configuration of use;  
 FIG. 2 is front and right perspective view of the watch strap of FIG. 1, shown in a configuration of use;  
 FIG. 3 is a front, right, bottom perspective view of the watch strap in FIG. 1, shown in an alternate configuration;  
 FIG. 4 is a front elevation view thereof;  
 FIG. 5 is a rear elevation view thereof;  
 FIG. 6 is a left side elevation view thereof;  
 FIG. 7 is a right side elevation view thereof;  
 FIG. 8 is a top plan view thereof; and,  
 FIG. 9 is a bottom plan view thereof.  
 The broken lines showing a watchcase in FIGS. 1-2 represent environmental subject matter only and form no part of the claimed design.

**1 Claim, 9 Drawing Sheets**

(56) **References Cited**  
U.S. PATENT DOCUMENTS

D152,417 S *	1/1949	Glass	.....	D10/38
D727,197 S *	4/2015	Akana	.....	D11/3
D747,997 S *	1/2016	Akana	.....	D11/3
D767,435 S *	9/2016	Lee	.....	D11/3
D802,467 S *	11/2017	Novak	.....	D11/3
D813,058 S *	3/2018	Kanikananta	.....	D14/344
D816,667 S *	5/2018	Hardi	.....	D14/344
D824,273 S *	7/2018	Akana	.....	D11/3
D833,625 S *	11/2018	Guan	.....	D14/344
D850,317 S *	6/2019	Hinds	.....	D11/3
D854,960 S	7/2019	Yu	.....	
D863,095 S *	10/2019	Akana	.....	D11/3
D875,728 S *	2/2020	Wu	.....	D14/344
D881,059 S *	4/2020	Schowalter	.....	D11/3
D883,840 S *	5/2020	Schowalter	.....	D11/3



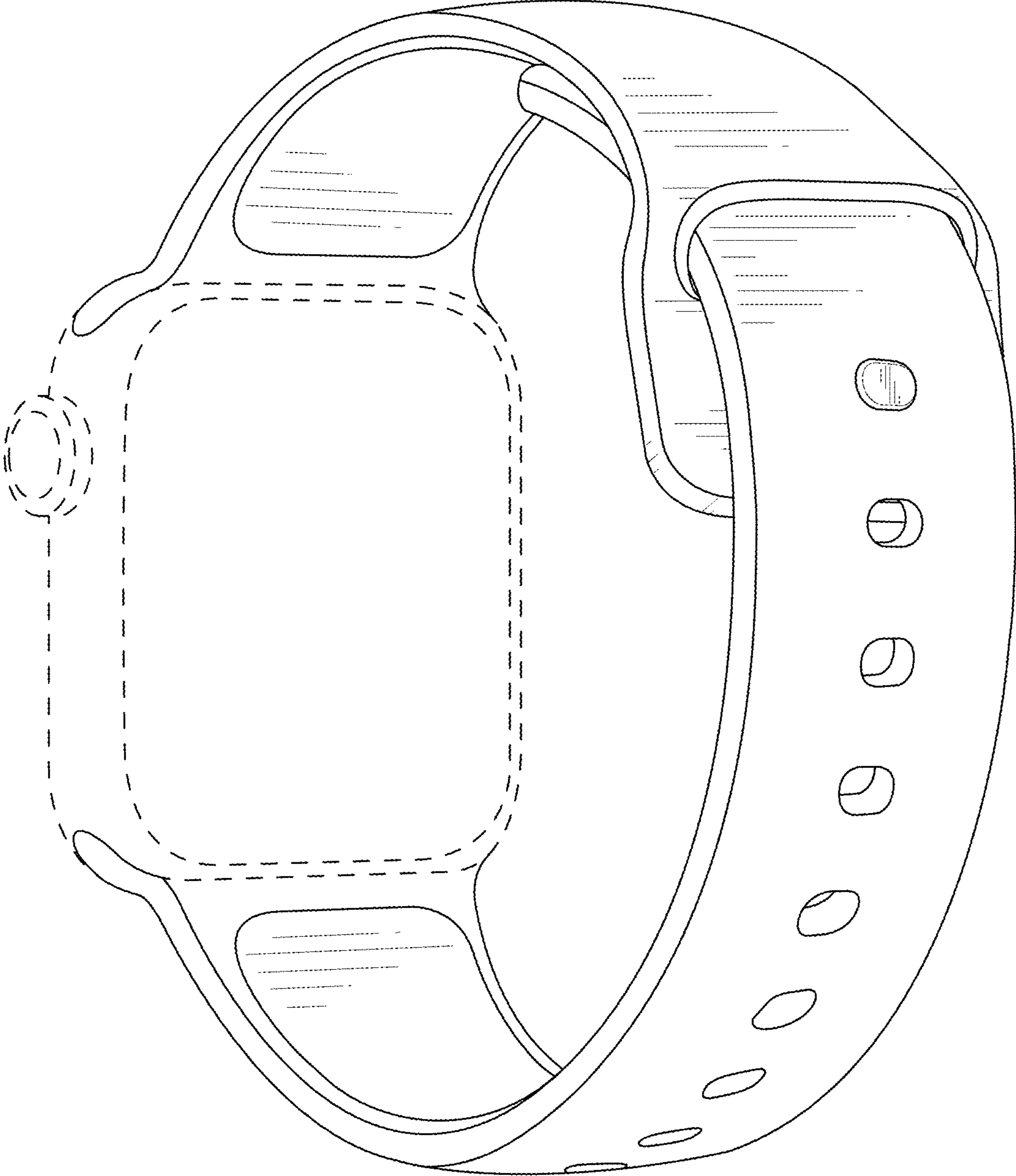


FIG. 1

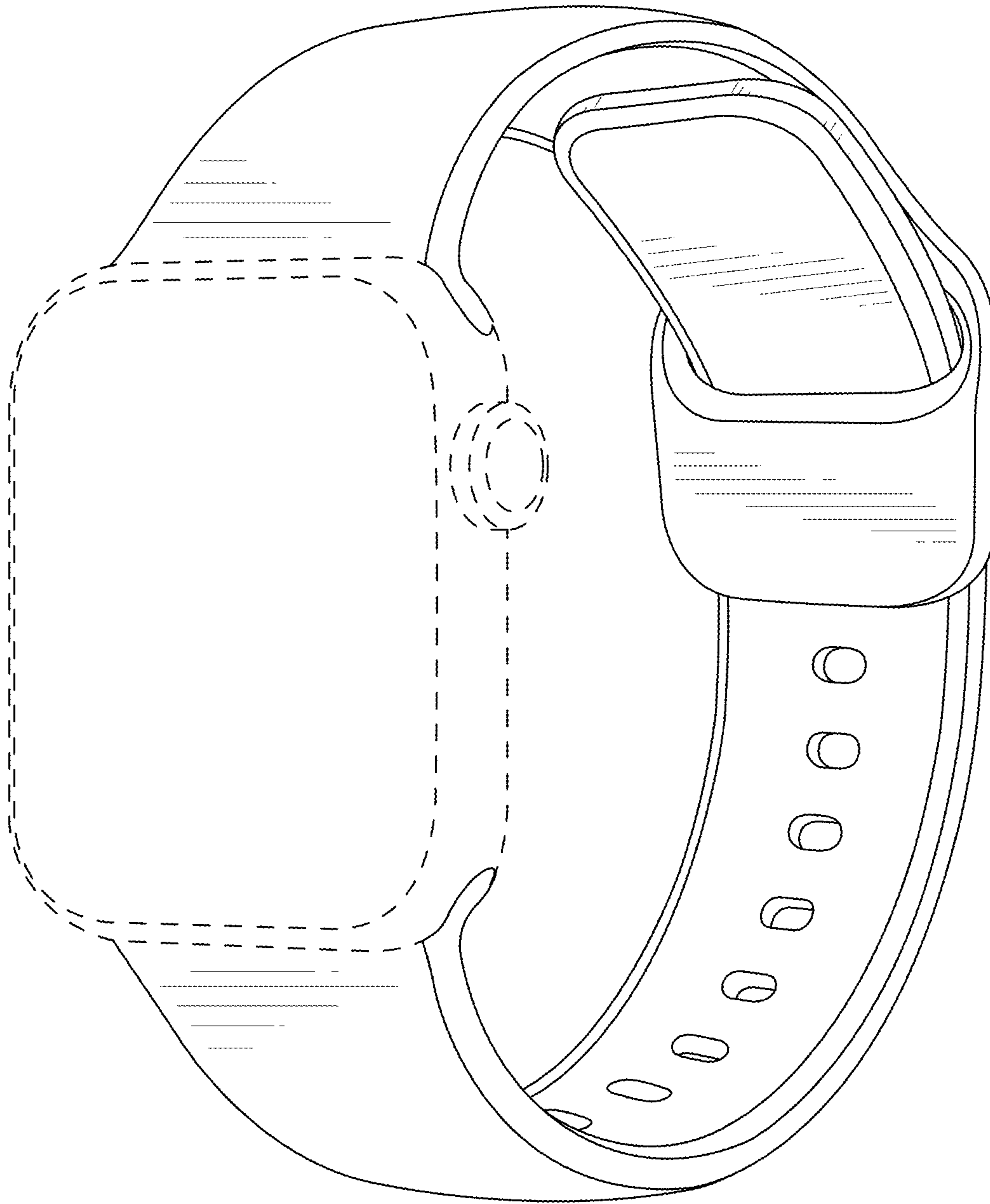


FIG. 2

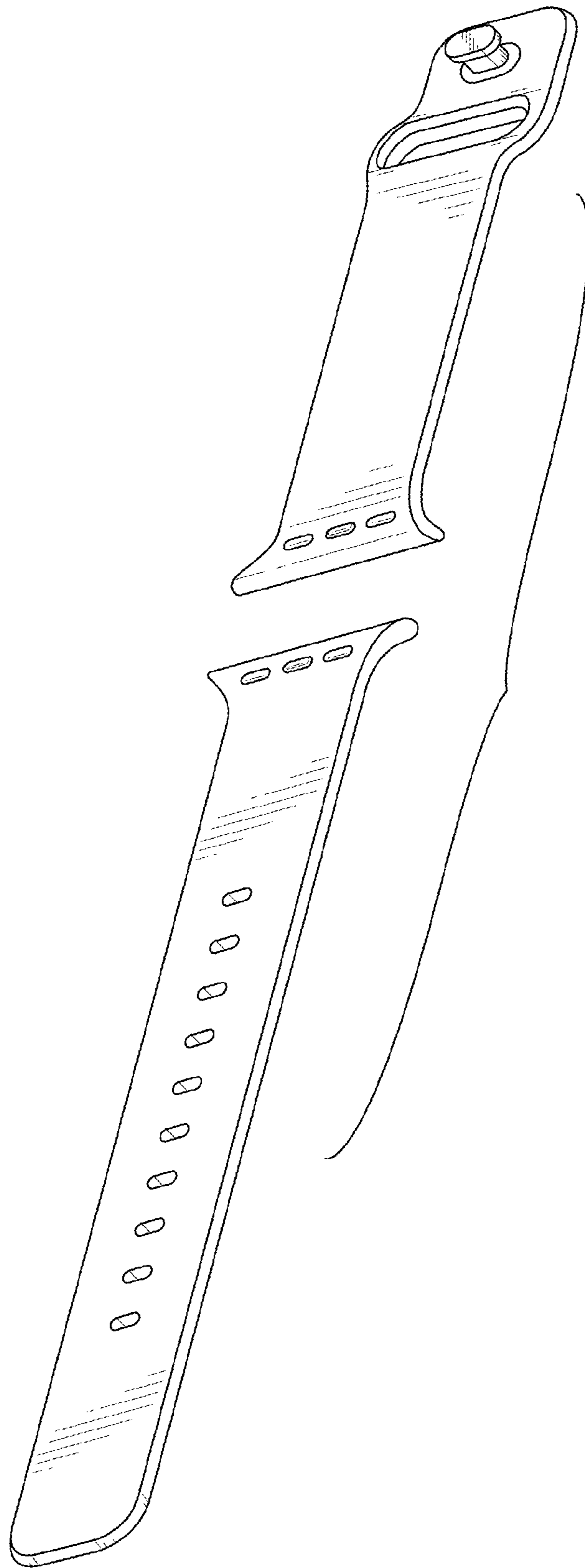


FIG. 3

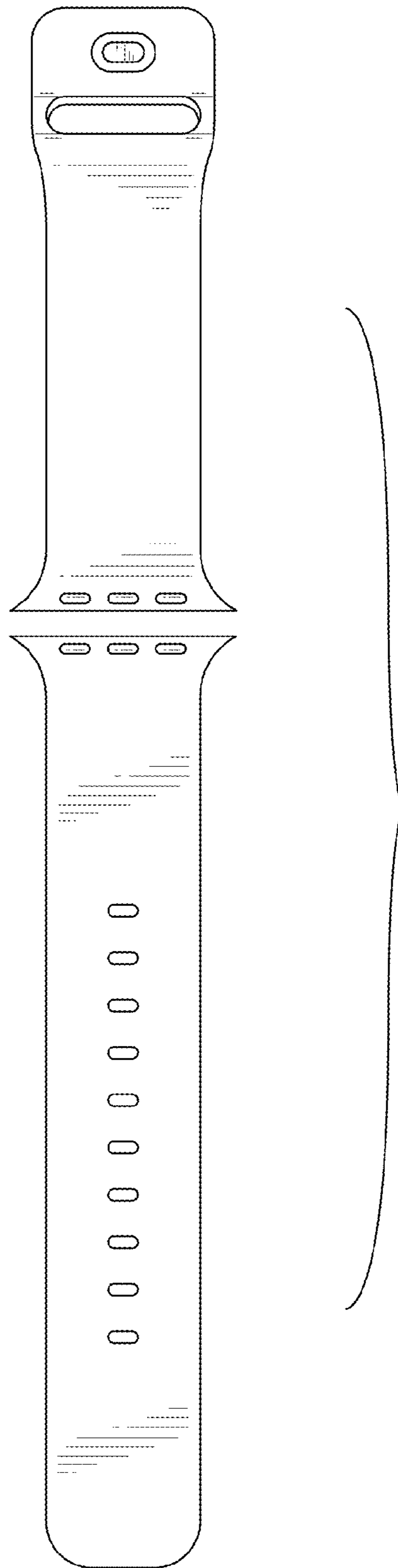


FIG. 4

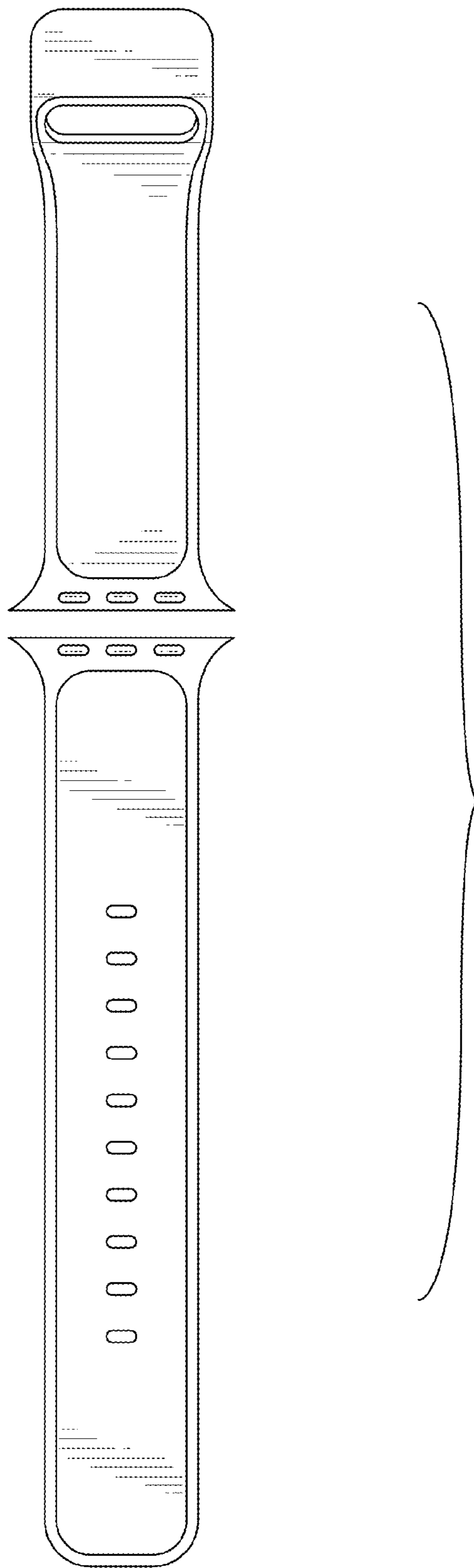


FIG. 5

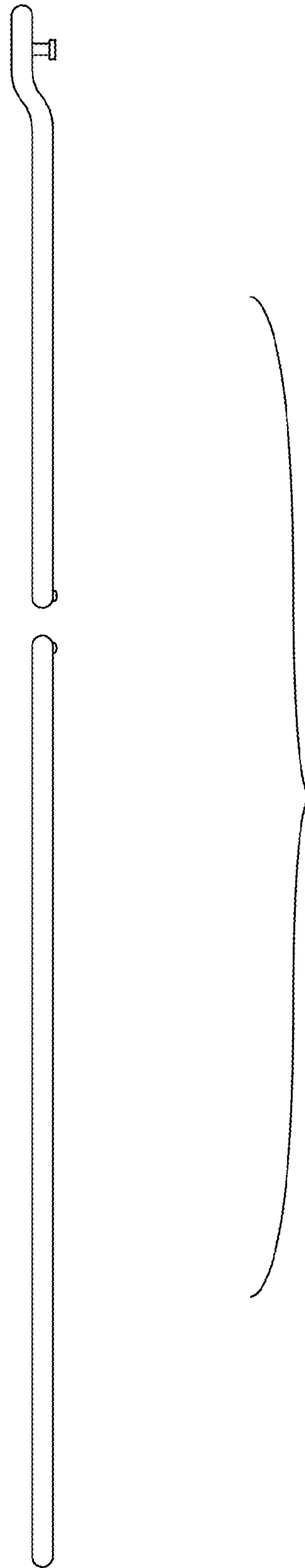


FIG. 6

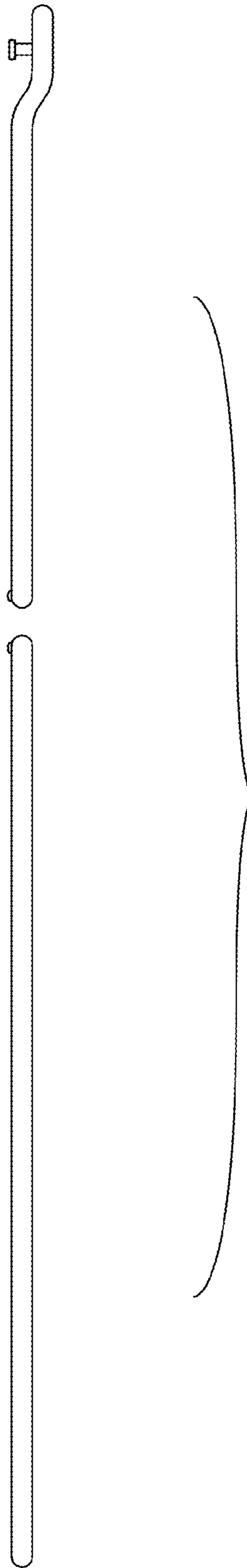


FIG. 7





FIG. 8



FIG. 9