



US00D973529S

(12) **United States Design Patent** (10) **Patent No.:** **US D973,529 S**
Macilwain et al. (45) **Date of Patent:** **** *Dec. 27, 2022**

(54) **SAFETY EXIT INDICATOR LIGHT**

(71) Applicants: **Ian Wakeling**, Eureka (AU); **Travis Macilwain**, Eureka (AU)

(72) Inventors: **Travis Paul Macilwain**, Eureka (AU); **Ian Rodney Wakeling**, Eureka (AU)

(*) Notice: This patent is subject to a terminal disclaimer.

(**) Term: **15 Years**

(21) Appl. No.: **35/509,600**

(22) Filed: **Dec. 23, 2019**

(80) **Hague Agreement Data**

Int. Filing Date: **Dec. 23, 2019**

Int. Reg. No.: **DM/208515**

Int. Reg. Date: **Dec. 23, 2019**

Int. Reg. Pub. Date: **Jun. 12, 2020**

(51) **LOC (13) Cl.** **10-05**

(52) **U.S. Cl.**
USPC **D10/114.2; D10/114.1**

(58) **Field of Classification Search**

USPC D10/114.1-114.5; D20/10, 11, 12, 22, D20/23, 24, 25, 27, 28, 29, 30, 31, 32, D20/40, 41, 42, 99; D26/24, 42, 46, 47, D26/51

CPC G09F 1/00; G09F 1/04; G09F 3/00; G09F 3/005; G09F 3/0288; G09F 3/0289; G09F 3/02; G09F 3/04; G09F 3/06; G09F 3/08; G09F 3/10; G06K 19/0776

See application file for complete search history.

(56) **References Cited**

U.S. PATENT DOCUMENTS

D248,444 S * 7/1978 Folger D8/302
D380,058 S * 6/1997 Kane D26/24

D525,894 S * 8/2006 Chiang D10/114.1
D528,240 S * 9/2006 Kovacik D26/42
D532,540 S * 11/2006 Cohen D26/42
D592,536 S * 5/2009 Chan Chen D10/114.1
D611,547 S * 3/2010 Mirica D20/42
D625,363 S * 10/2010 Lee D20/42
D710,725 S * 8/2014 Laarman D10/114.2
D710,726 S * 8/2014 Neufeglise D10/114.4
D743,287 S * 11/2015 Brindle D10/114.2
D779,985 S * 2/2017 Deyaf D10/114.4
D800,935 S * 10/2017 Hoffmeister D26/51
D853,875 S * 7/2019 Stein D10/114.1
D859,199 S * 9/2019 Goltche D10/114.4
D867,103 S * 11/2019 Griswold D8/315
D867,851 S * 11/2019 Griswold D8/315
D891,220 S * 7/2020 Griswold D8/315
D891,221 S * 7/2020 Griswold D8/315
2006/0232980 A1 * 10/2006 Wang G08B 7/062
362/368

* cited by examiner

Primary Examiner — Catherine Ho

(57) **CLAIM**

The ornamental design for a safety exit indicator light, as shown and described.

DESCRIPTION

1. Safety exit indicator light

1.1 : Perspective

1.2 : Front

1.3 : Top

1.4 : Bottom

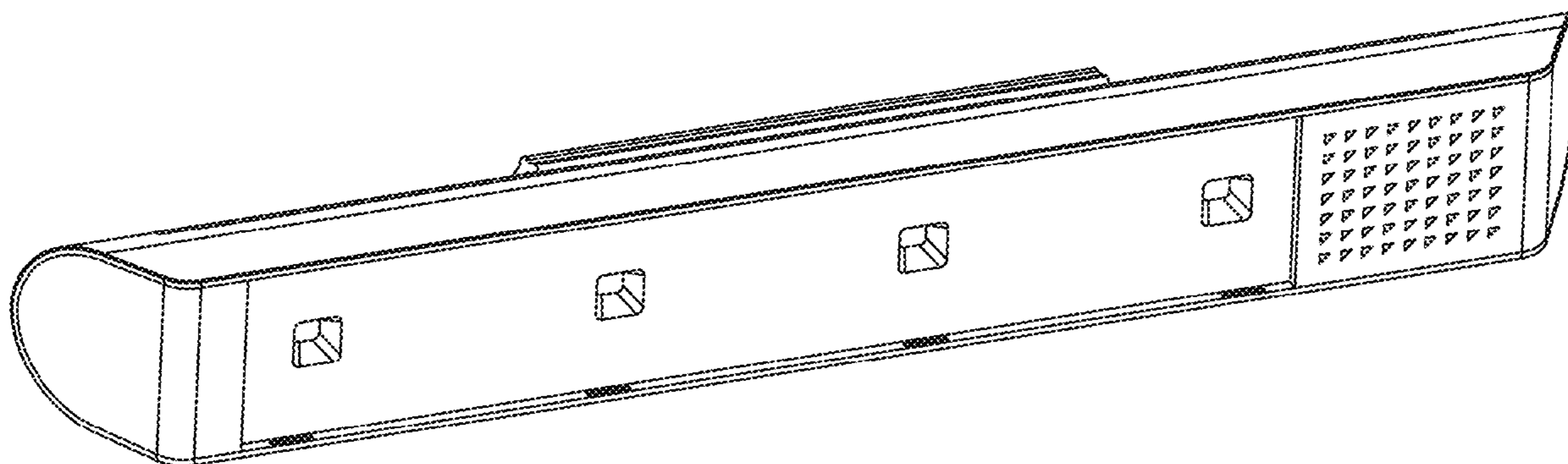
1.5 : Back

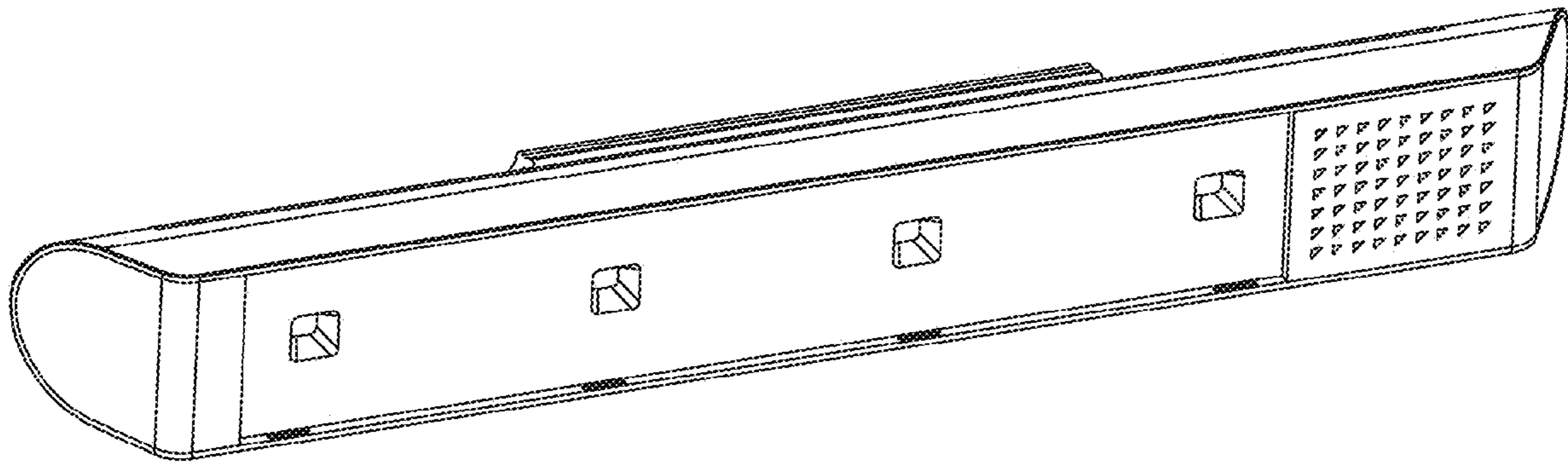
1.6 : Left

1.7 : Right

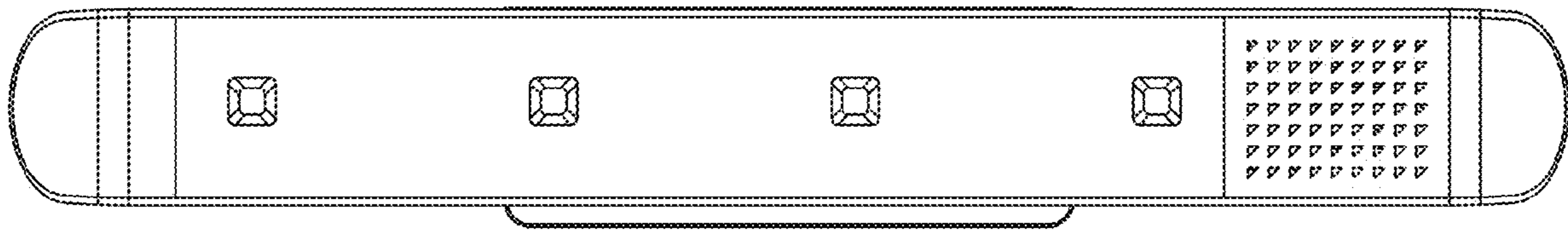
The broken line portion of the reproductions represent portions of the article that form no part of the claimed design.

1 Claim, 7 Drawing Sheets

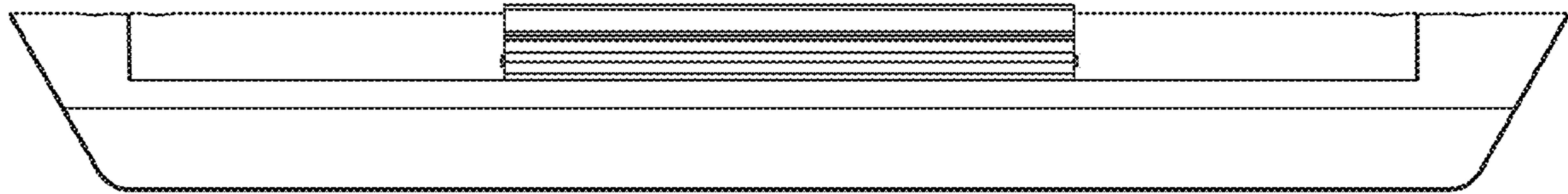




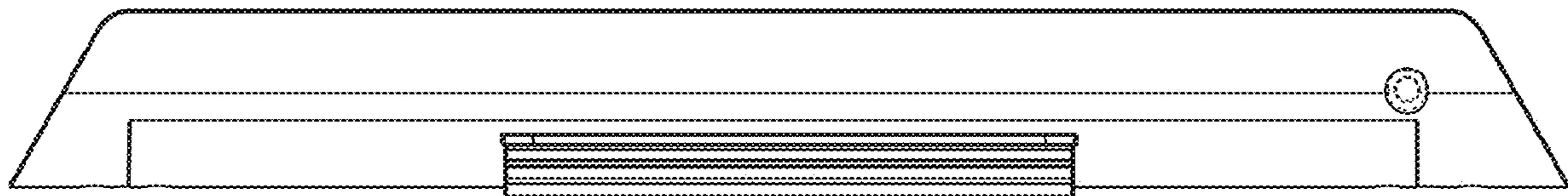
1.1



1.2



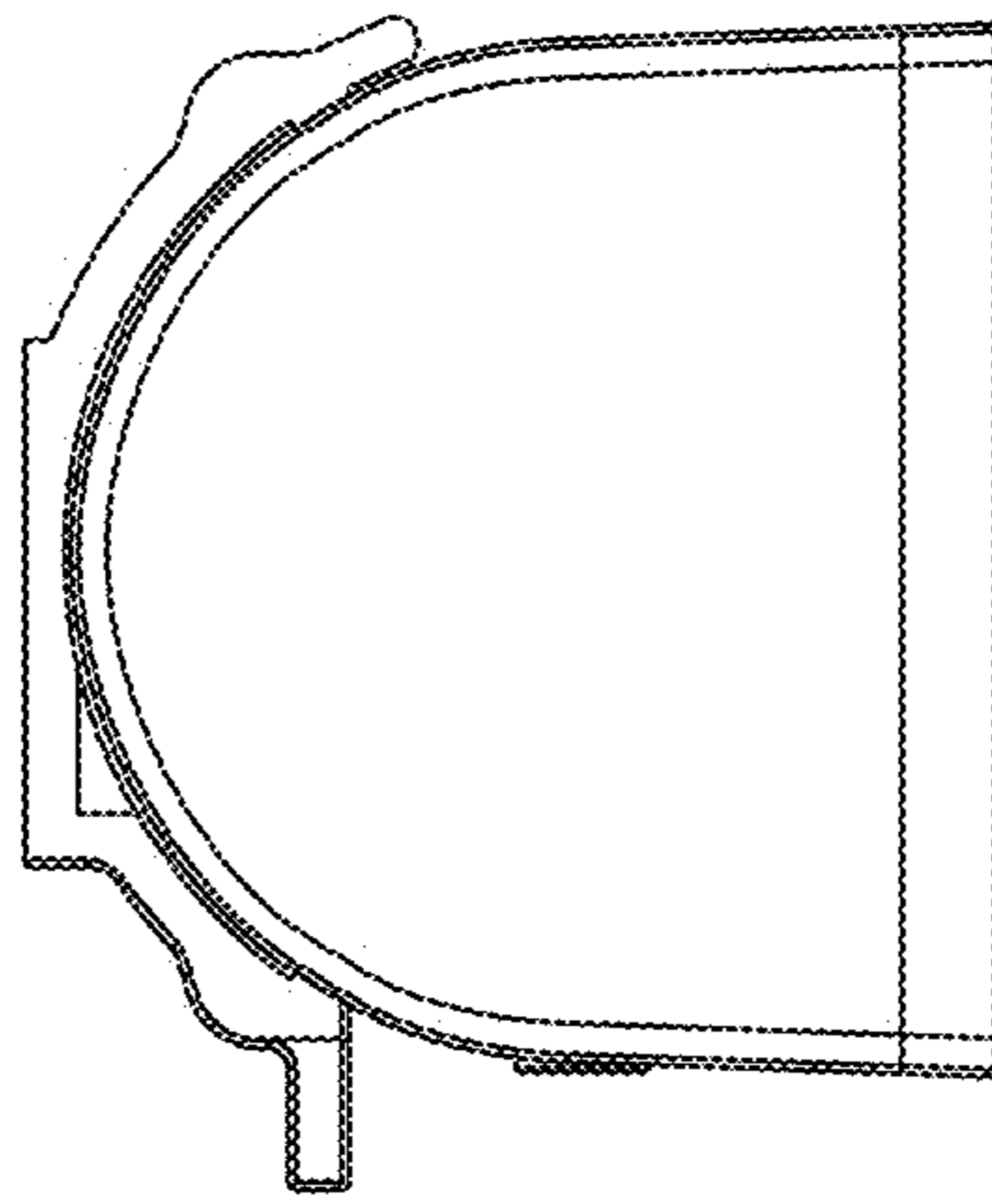
1.3



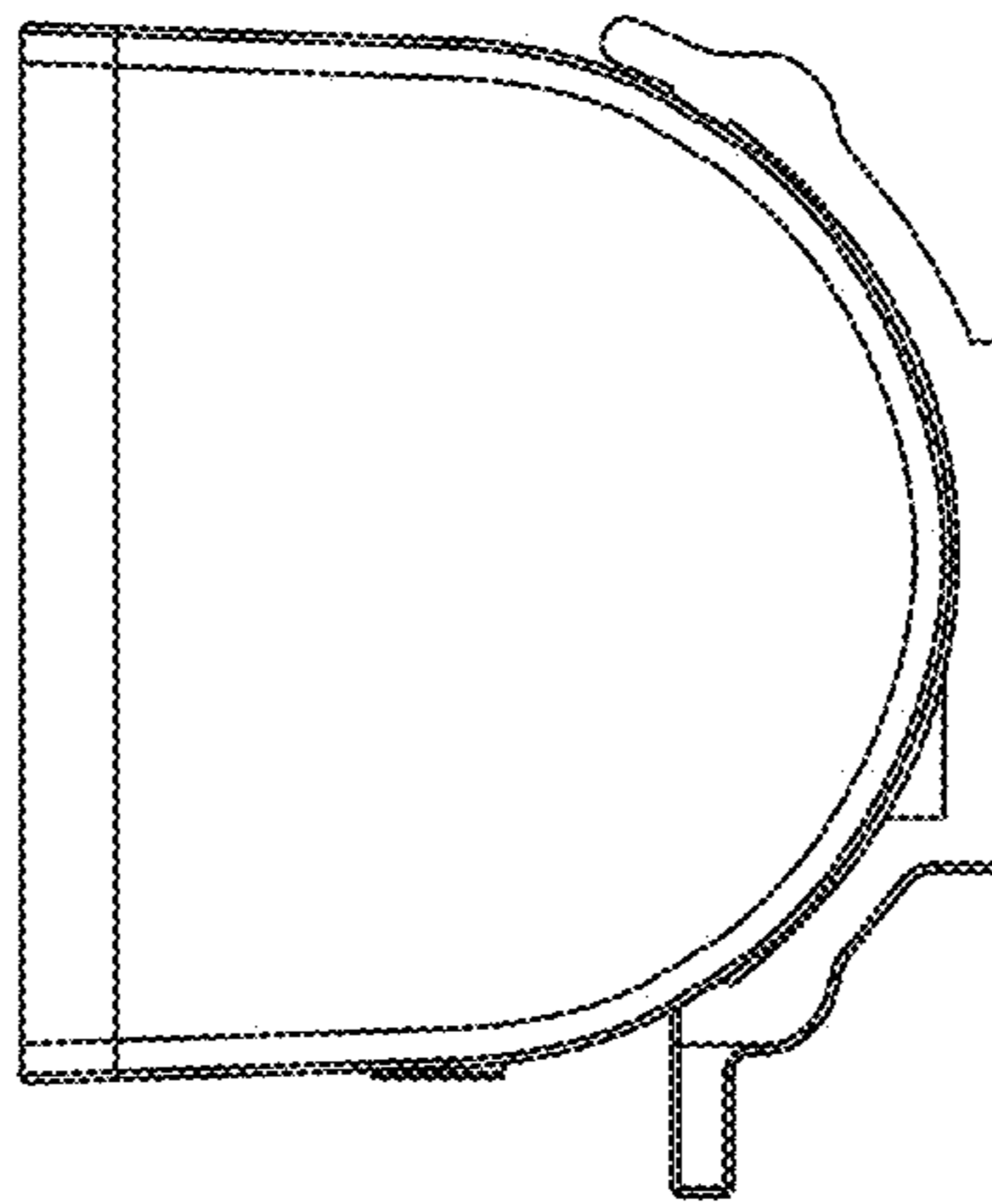
1.4



1.5



1.6



1.7