



US00D973525S

(12) **United States Design Patent**
Chen

(10) **Patent No.:** **US D973,525 S**

(45) **Date of Patent:** **** Dec. 27, 2022**

(54) **ELECTRONIC SCALE**

(71) Applicant: **Yuling Chen**, Shenzhen (CN)

(72) Inventor: **Yuling Chen**, Shenzhen (CN)

(**) Term: **15 Years**

(21) Appl. No.: **29/815,645**

(22) Filed: **Nov. 16, 2021**

(51) **LOC (13) Cl.** **10-04**

(52) **U.S. Cl.**
USPC **D10/91**

(58) **Field of Classification Search**

USPC D10/75-80, 94-101, 87-93, 83

CPC G01G 21/28; G01G 23/30; G01G 23/35;

G01G 21/30; G01G 23/36; G01G

19/4146; G01G 19/30; G01G 19/56;

G01G 23/01; G01G 23/012; G06F 3/167;

G10L 15/26; G09B 19/0092

See application file for complete search history.

(56) **References Cited**

U.S. PATENT DOCUMENTS

D410,397 S *	6/1999	Kurata	D10/91
D448,316 S *	9/2001	Kesselman	D10/91
D470,782 S *	2/2003	Motomizu	D10/92
D521,889 S *	5/2006	Kesselman	D10/91
D543,879 S *	6/2007	Barnes	D10/91
D550,108 S *	9/2007	Kesselman	D10/91
D550,109 S *	9/2007	Kesselman	D10/91
D702,144 S *	4/2014	Kobayakawa	D10/91
D765,527 S *	9/2016	Arai	D10/91
D838,200 S *	1/2019	Li	D10/91
D850,958 S *	6/2019	Pan	D10/91
D962,098 S *	8/2022	Yu	D10/91
2017/0108371 A1 *	4/2017	Pan	G01G 21/28

FOREIGN PATENT DOCUMENTS

CN	302693669	*	1/2013
CN	307093369	*	8/2021

CN	307117553	*	8/2021
EM	006738787-0002	*	8/2019
EM	007942784-0001	*	5/2020
EM	008761084-0010	*	11/2021

OTHER PUBLICATIONS

HNZYFUTA Store,Pocket Gram Scale,Date first available Jun. 20, 2021, [online]retrieved Sep. 8, 2022,available from https://www.amazon.com/Suitable-500g-Accuracy-Function-Included/dp/B09491TQWY/ref=sr_1_52?crd=BR5SW4J97DW2&keywords=microgram+scale&qid=1662675003&s=industrial&sprefix=microgram+scale%2Cind (Year: 2021).*

(Continued)

Primary Examiner — Keli L Hill

Assistant Examiner — Sara S Sahneh

(57) **CLAIM**

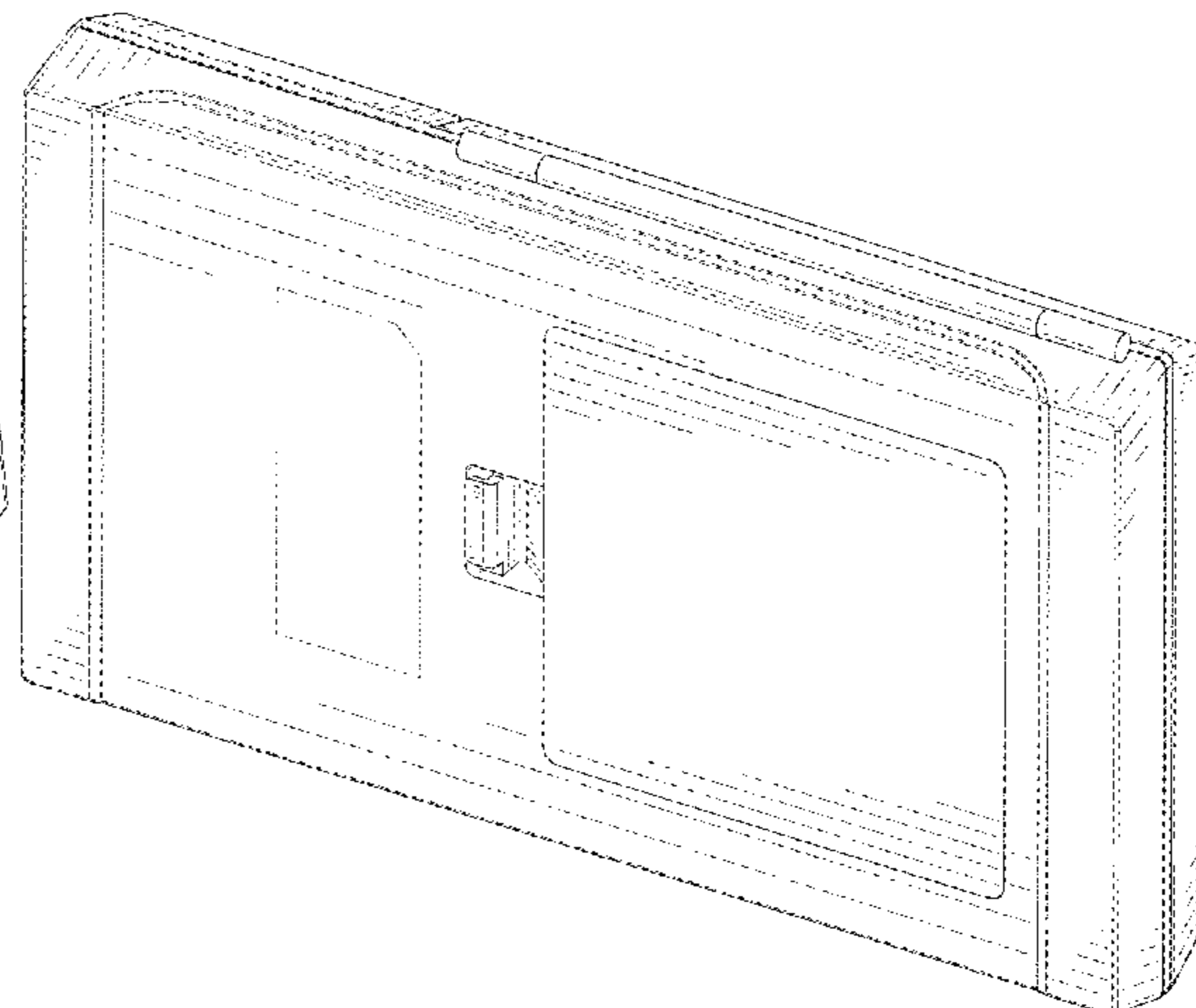
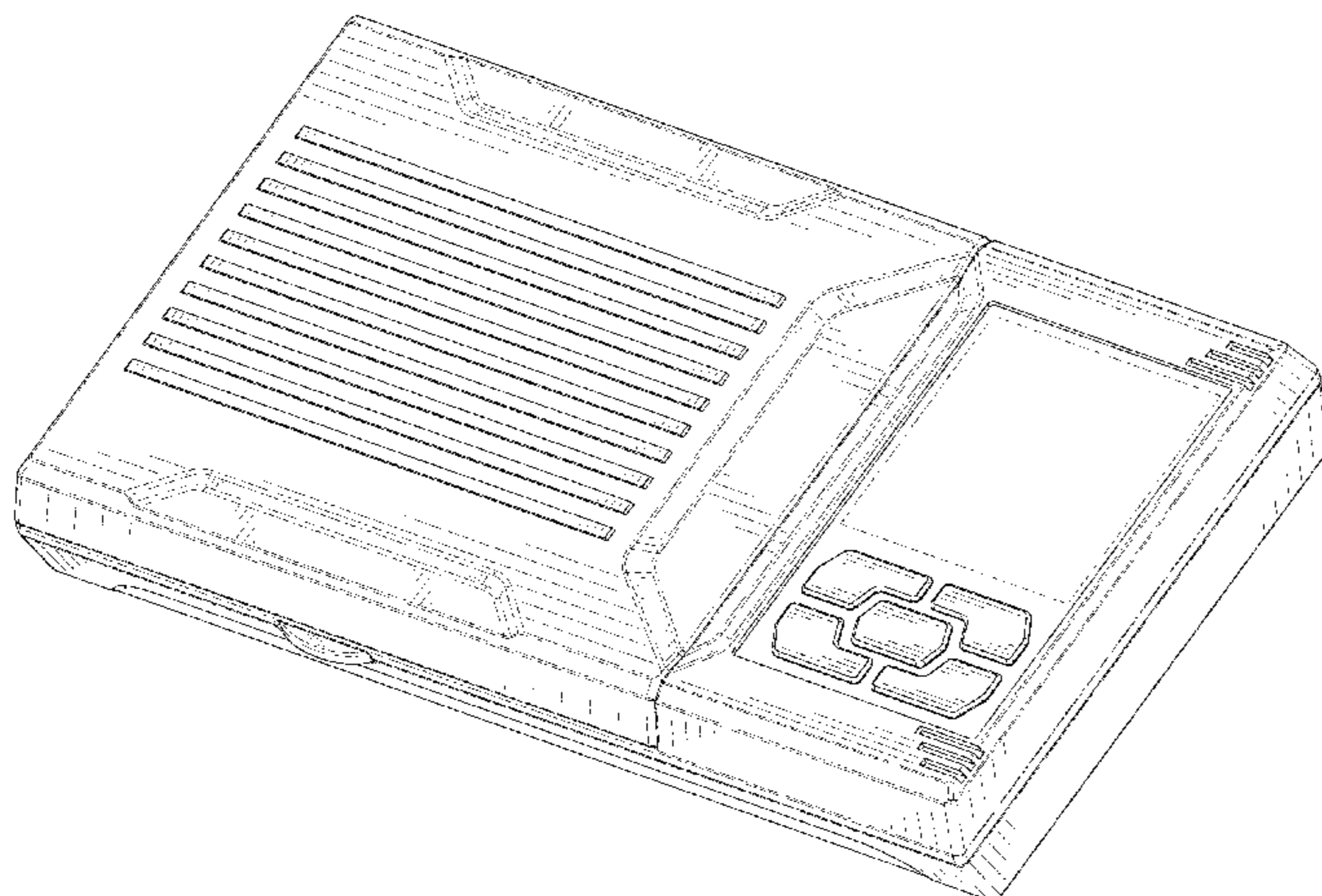
The ornamental design for an electronic scale, as shown and described.

DESCRIPTION

FIG. 1 is a front and top perspective view of an electronic scale, showing my new design; FIG. 2 is a rear and bottom perspective view thereof; FIG. 3 is a front elevation view thereof; FIG. 4 is a rear elevation view thereof; FIG. 5 is a left side elevation view thereof; FIG. 6 is a right side elevation view thereof; FIG. 7 is a top plan view thereof; FIG. 8 is a bottom plan view thereof; and, FIG. 9 is another perspective view thereof, shown in an alternative position.

The broken lines in the figures illustrate portions of the electronic scale that form no part of the claimed design.

1 Claim, 9 Drawing Sheets



(56)

References Cited

OTHER PUBLICATIONS

Greater Goods Store, Digital Pocket Scale, Date first available Jun. 3, 2019, [online]retrieved Sep. 8, 2022, available from https://www.amazon.com/GreaterGoods-Digital-Pocket-Letter-Accuracy/dp/B07SJTXGN7/ref=sr_1_51?crd=3LKI5YXD9JJ49&keywords=lab+scale&qid=1662675338&s=industrial&sprefix=lab+scale%2Cind (Year: 2019).*

NEOWEIGH Store, Espresso Scale, Date first available Jul. 24, 2021, [online]retrieved Sep. 9, 2022, available from https://www.amazon.com/dp/B094XKJVGH/ref=sspa_dk_detail_6?psc=1&pf_rd_p=3481f441-61ac-4028-9c1a-7f9ce8ec50c5&pf_rd_r=QW8Z15XSSS2MHGM3GW94&pd_rd_wg=9GMbq&pd_rd_w=Gw7b4&content-id=amzn1.sym.3481 (Year: 2021).*

* cited by examiner

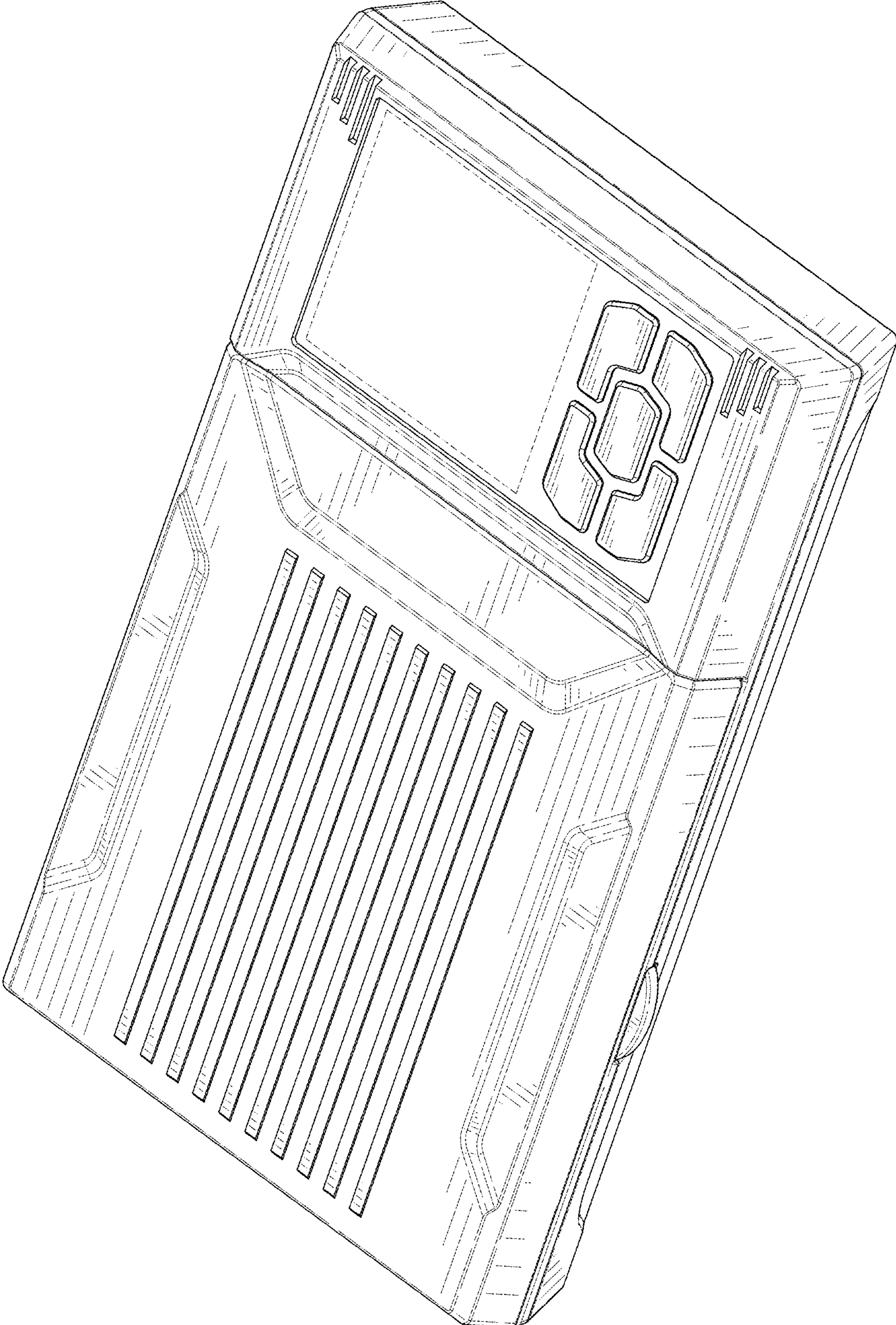


FIG. 1

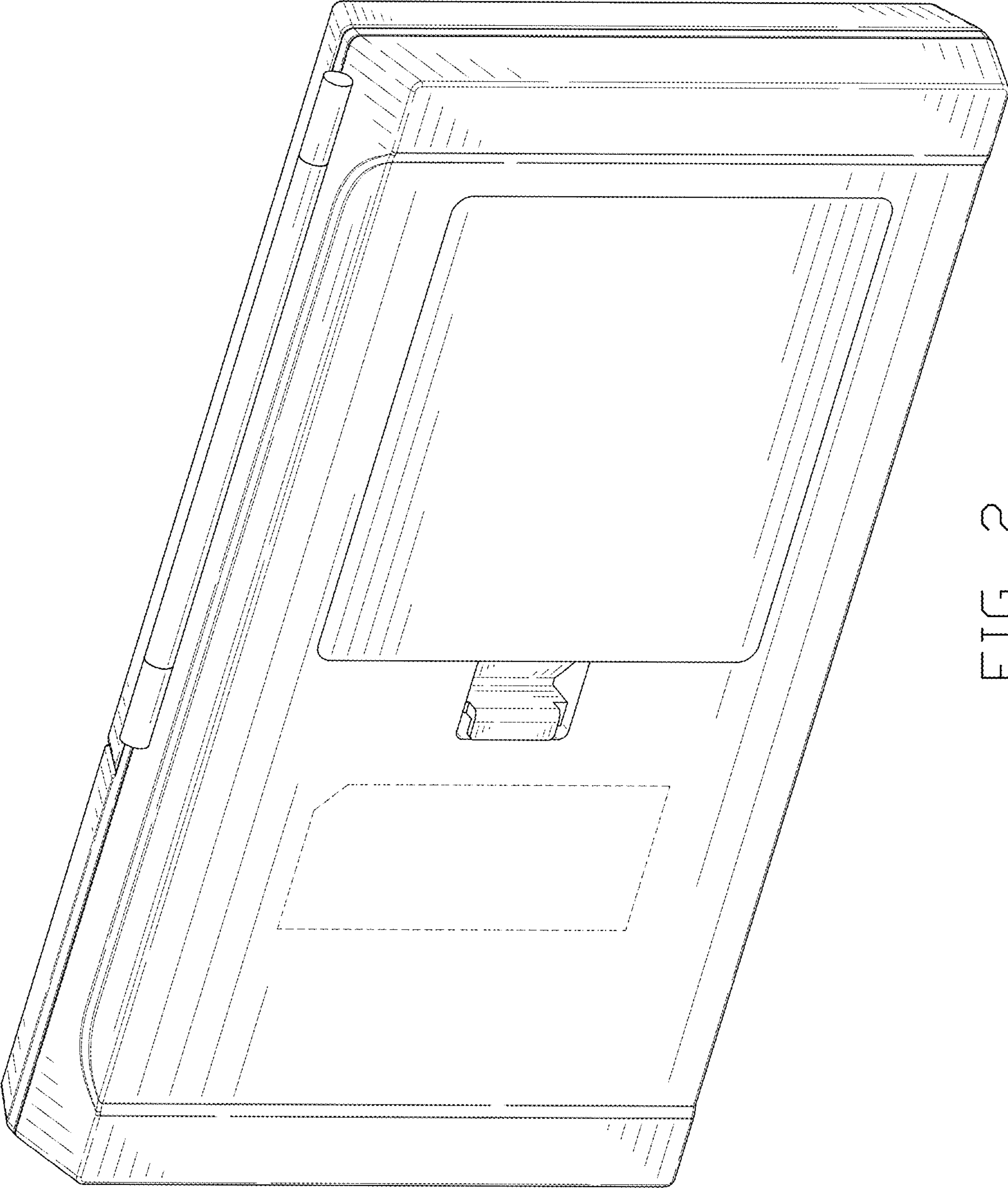


FIG. 2

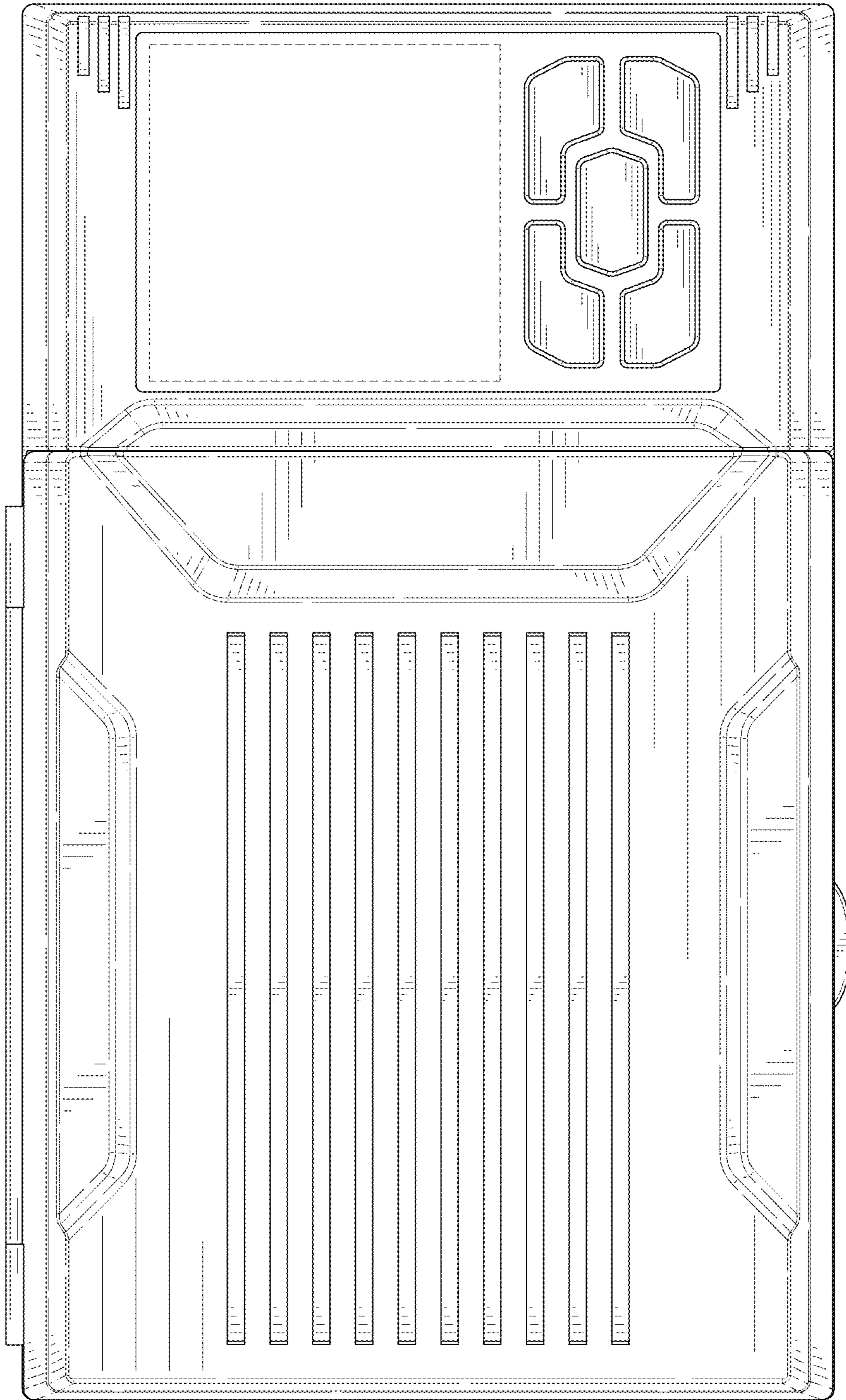


FIG. 3

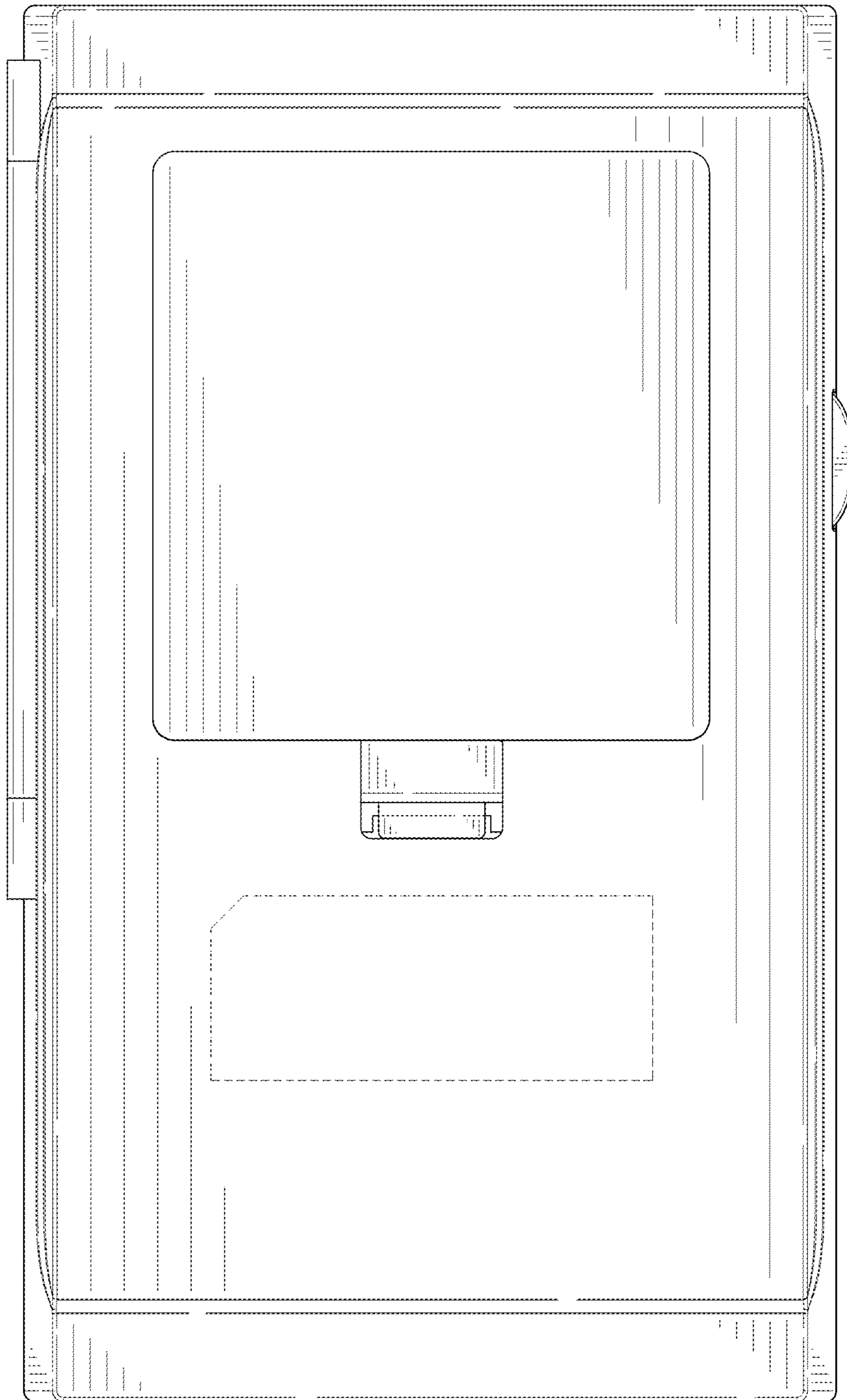


FIG. 4



FIG. 5

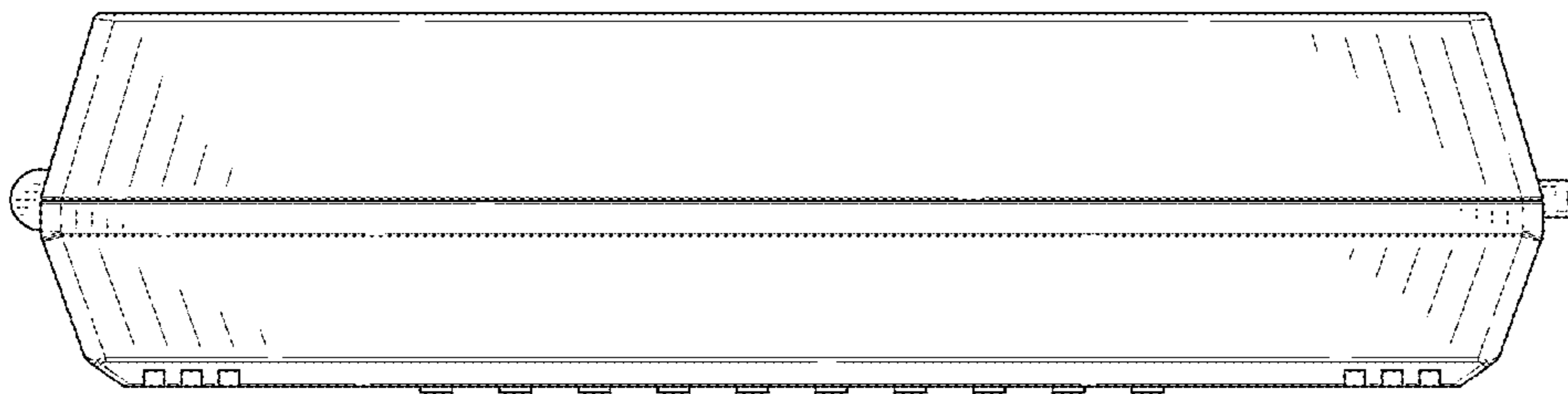


FIG. 6

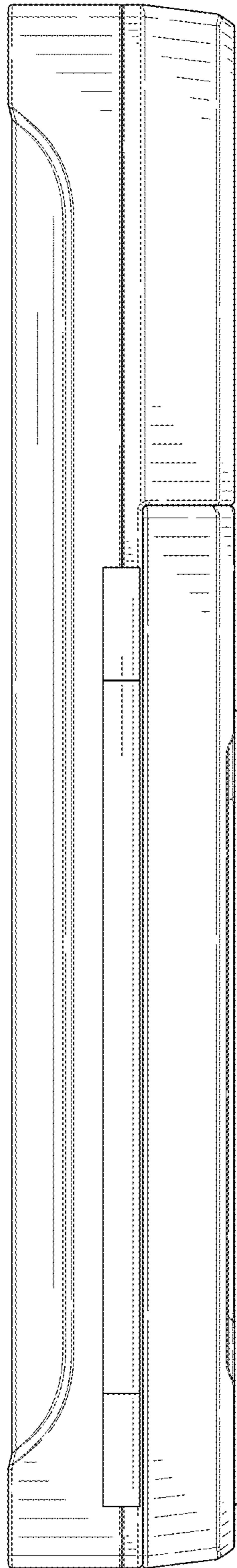


FIG. 7

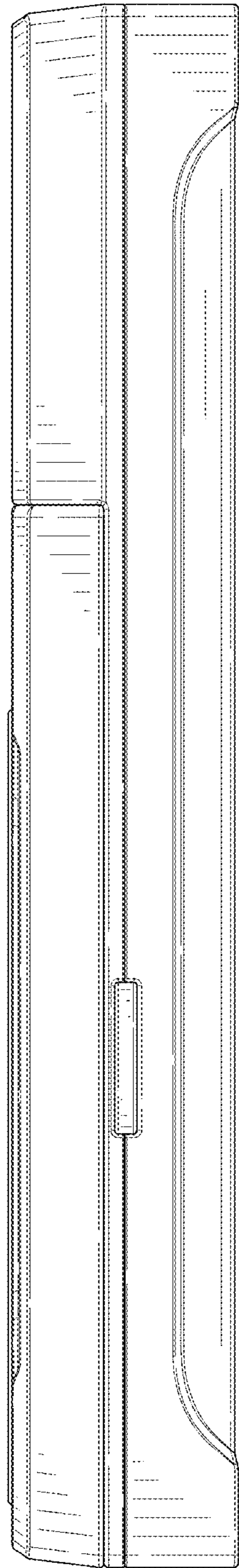


FIG. 8

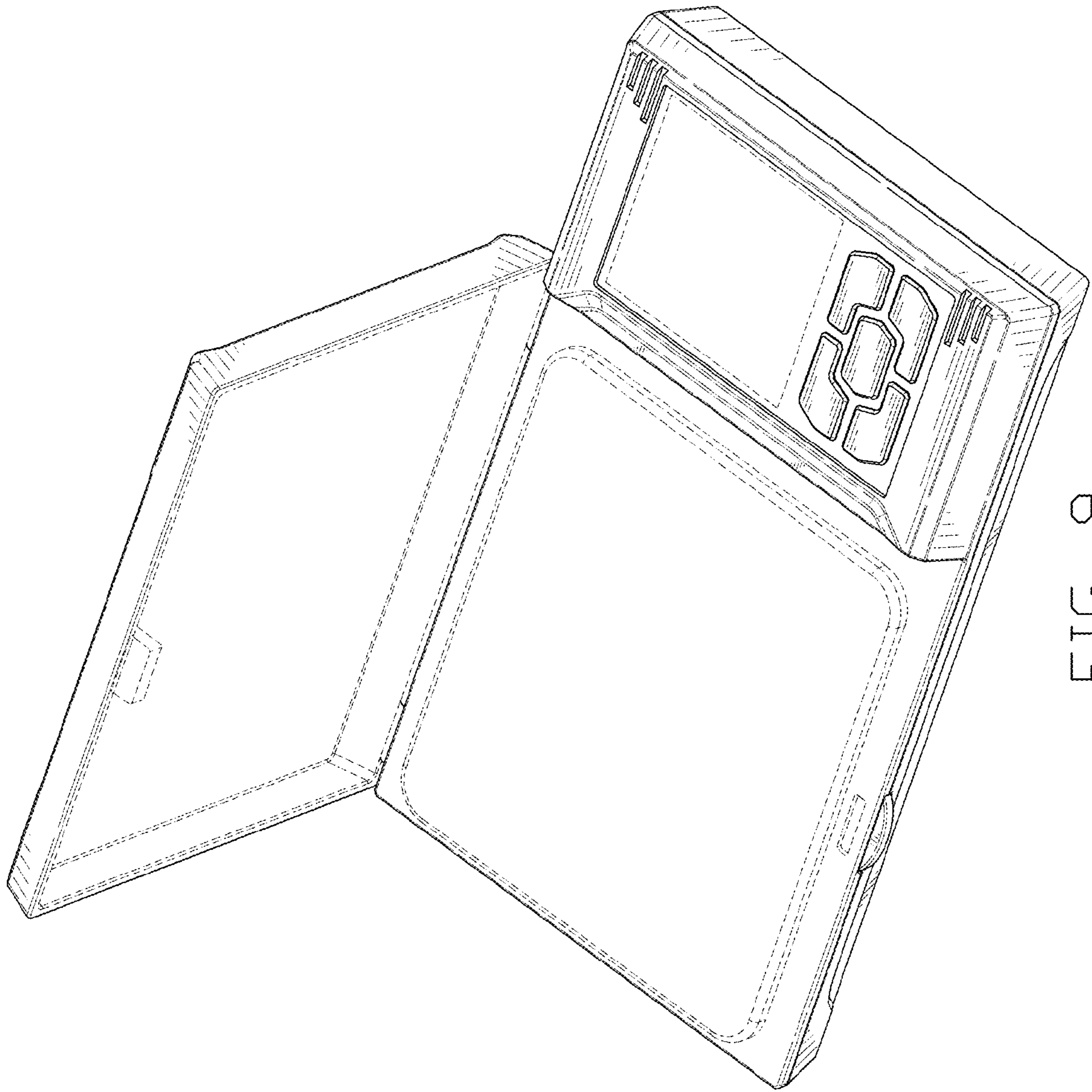


FIG. 9