



US00D973524S

(12) **United States Design Patent**  
**Hu**

(10) **Patent No.:** **US D973,524 S**  
(45) **Date of Patent:** **\*\* Dec. 27, 2022**

(54) **ELECTRONIC SCALE**  
(71) Applicant: **Dongguan Changxie Technology Co., Ltd., Dongguan (CN)**  
(72) Inventor: **Feng Hu, Xinyang (CN)**  
(73) Assignee: **Dongguan Changxie Technology Co., Ltd., Dongguan (CN)**  
(\*\*) Term: **15 Years**

D884,527 S \* 5/2020 Yang ..... D10/91  
D893,329 S \* 8/2020 Yang ..... D10/91  
D918,077 S \* 5/2021 Zhang ..... D10/91  
D925,383 S \* 7/2021 Wu ..... D10/92  
(Continued)

(21) Appl. No.: **29/797,741**  
(22) Filed: **Jul. 2, 2021**  
(51) **LOC (13) Cl.** ..... **10-04**  
(52) **U.S. Cl.**  
USPC ..... **D10/91**  
(58) **Field of Classification Search**  
USPC ..... D10/83-93  
CPC ..... G01G 21/28; G01G 21/00; G01G 19/414;  
G01G 19/4144; G01G 19/42; G01G  
23/166; G01G 21/30; G01G 23/3728;  
G01G 23/3735; G01G 19/44; G01G 3/14;  
G01G 19/46; G01G 19/48; G01G 19/50;  
G01G 21/44; A61B 5/053; A61B 5/4872;  
A61B 5/0537; A61B 5/4869; A61B  
5/6825; A61B 5/6829; A61B 5/7445;  
A61B 5/1072; G06Q 20/3678; G06Q  
20/387; G06Q 20/065; G06Q 20/36;  
G06Q 20/06; G06Q 20/208; G09B 19/00;  
G16H 20/00; G16H 40/63; F16F 1/123  
See application file for complete search history.

**FOREIGN PATENT DOCUMENTS**

CN 306247982 \* 8/2020  
CN 306247983 \* 8/2020  
(Continued)

**OTHER PUBLICATIONS**

Votsupkitdinok ,Food Scale,Date first available Apr. 7, 2021,  
[online]retrieved Jan. 24, 2022,available from [https://www.amazon.com/Graduation-Stainless-Tempered-Platform-Waterproof/dp/B091Y3QTD5/ref=bx\\_dp\\_oetdl0o\\_8/133-9953152-3452307?pd\\_rd\\_w=SIIO0&pf\\_rd\\_p=e6cdd6e6-4670-4642-bb47-67097bcd49dd&pf\\_rd\\_r=D](https://www.amazon.com/Graduation-Stainless-Tempered-Platform-Waterproof/dp/B091Y3QTD5/ref=bx_dp_oetdl0o_8/133-9953152-3452307?pd_rd_w=SIIO0&pf_rd_p=e6cdd6e6-4670-4642-bb47-67097bcd49dd&pf_rd_r=D) (Year: 2021).  
(Continued)

*Primary Examiner* — Keli L Hill  
*Assistant Examiner* — Sara S Sahneh

(57) **CLAIM**

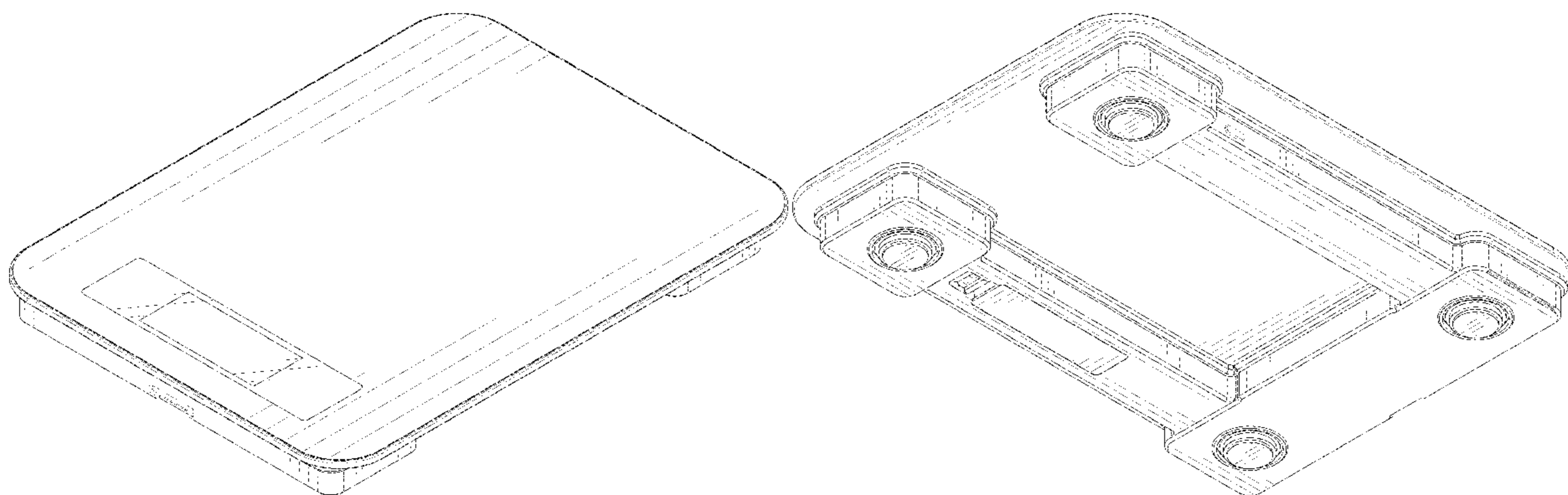
The ornamental design for an electronic scale, as shown and described.

**DESCRIPTION**

FIG. 1 is a front and top perspective view of an electronic scale, showing my new design;  
FIG. 2 is a rear and bottom perspective view thereof;  
FIG. 3 is a front elevation view thereof;  
FIG. 4 is a rear elevation view thereof;  
FIG. 5 is a left side elevation view thereof;  
FIG. 6 is a right side elevation view thereof;  
FIG. 7 is a top plan view thereof; and,  
FIG. 8 is a bottom plan view thereof.  
The broken lines in the figures illustrate portions of the electronic scale that form no part of the claimed design.

**1 Claim, 8 Drawing Sheets**

(56) **References Cited**  
**U.S. PATENT DOCUMENTS**  
D499,972 S \* 12/2004 van de Wiel ..... D10/92  
D520,389 S \* 5/2006 Barmes ..... D10/91  
D547,218 S \* 7/2007 Barmes ..... D10/91  
D550,574 S \* 9/2007 Barmes ..... D10/91  
D678,095 S \* 3/2013 Renner ..... D10/91  
D751,071 S \* 3/2016 Kurata ..... D14/365  
D865,552 S \* 11/2019 Ying ..... D10/92



(56)

**References Cited**

U.S. PATENT DOCUMENTS

D927,335 S \* 8/2021 Yu ..... D10/91  
D940,577 S \* 1/2022 Dai ..... D10/91

FOREIGN PATENT DOCUMENTS

CN 306933281 \* 4/2021  
CN 306809121 \* 5/2021  
EM 008655401-0001 \* 8/2021  
GB 9004731719-0003 \* 2/2018  
KR 301136231.0000 \* 9/2021

OTHER PUBLICATIONS

Edousin, Food Scale, Date first available Jan. 25, 2021, [online]retrieved Jan. 24, 2022,available from [https://www.amazon.com/dp/B08TTCHPKX/ref=sspa\\_dk\\_detail\\_4?psc=1](https://www.amazon.com/dp/B08TTCHPKX/ref=sspa_dk_detail_4?psc=1) (Year: 2021).\*

Suidreams Store,Food Scale, Date first available Aug. 7, 2021, [online]retrieved Jan. 20, 2022,available from [https://www.amazon.com/dp/B09C2XT9DD/ref=sspa\\_dk\\_detail\\_4?psc=1&pd\\_rd\\_w=nUQym&pf\\_rd\\_p=54ed5474-54a8-4c7f-a88a-45f748d18166&pd\\_rd\\_wg=yfRaF&pf\\_rd\\_r=31FBVW0V7KV4Y6W0H55N&pd\\_rd\\_r=f0f66565-3076-420f-8](https://www.amazon.com/dp/B09C2XT9DD/ref=sspa_dk_detail_4?psc=1&pd_rd_w=nUQym&pf_rd_p=54ed5474-54a8-4c7f-a88a-45f748d18166&pd_rd_wg=yfRaF&pf_rd_r=31FBVW0V7KV4Y6W0H55N&pd_rd_r=f0f66565-3076-420f-8) (Year: 2021).\*

Zibet Store,Digital Food Scale Kitchen, Date first available Sep. 17, 2019, [online]retrieved Jan. 20, 2022,available from [https://www.amazon.com/Zibet-Rechargeable-Function-Stainless-Tempered/dp/B07XZKBSDJ/ref=sr\\_1\\_13?crid=VRC5NEWXWLHN&keywords=kitchen+scale&qid=1642702075&srefix=kitc](https://www.amazon.com/Zibet-Rechargeable-Function-Stainless-Tempered/dp/B07XZKBSDJ/ref=sr_1_13?crid=VRC5NEWXWLHN&keywords=kitchen+scale&qid=1642702075&srefix=kitc) (Year: 2019).\*

\* cited by examiner

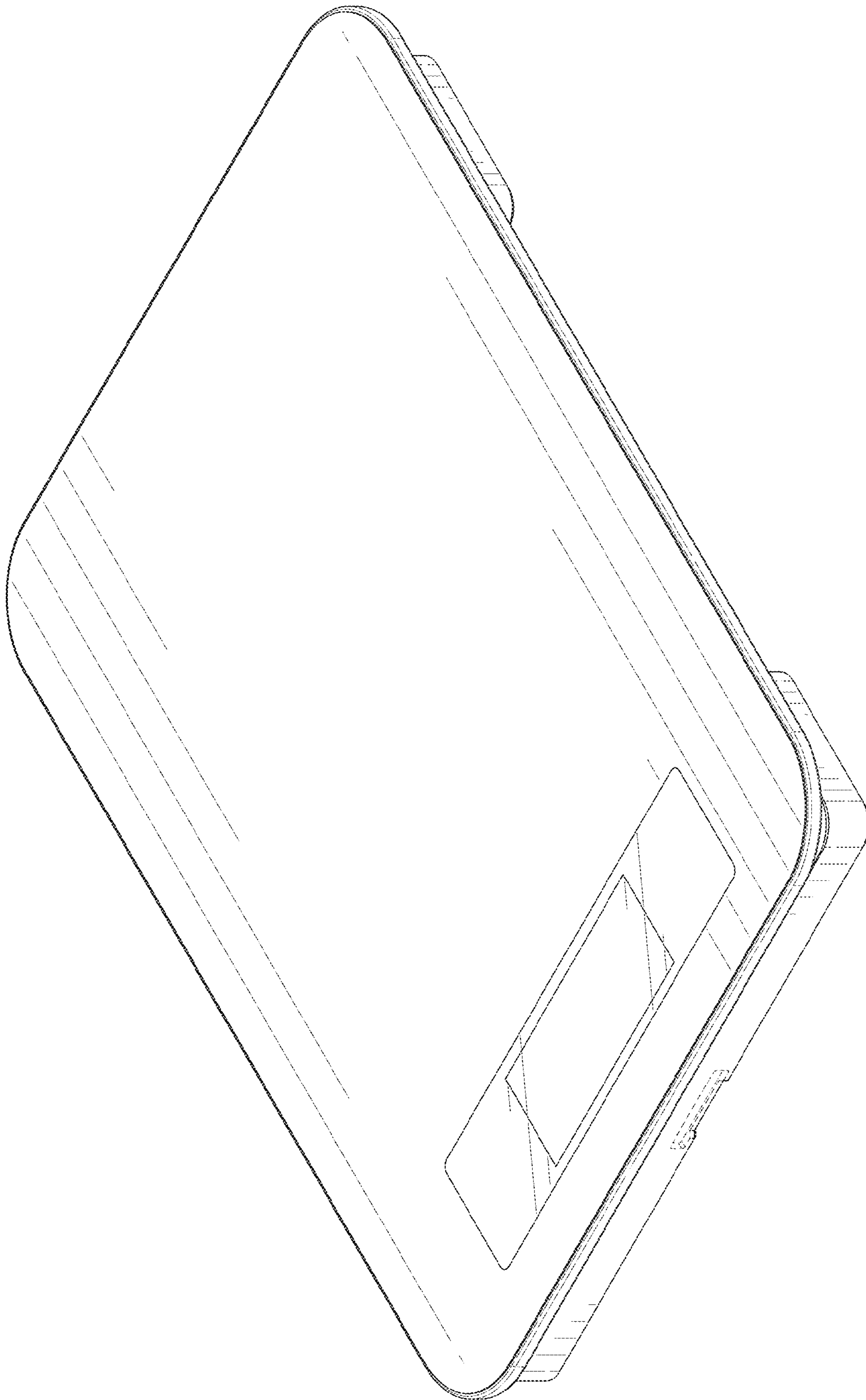


FIG. 1

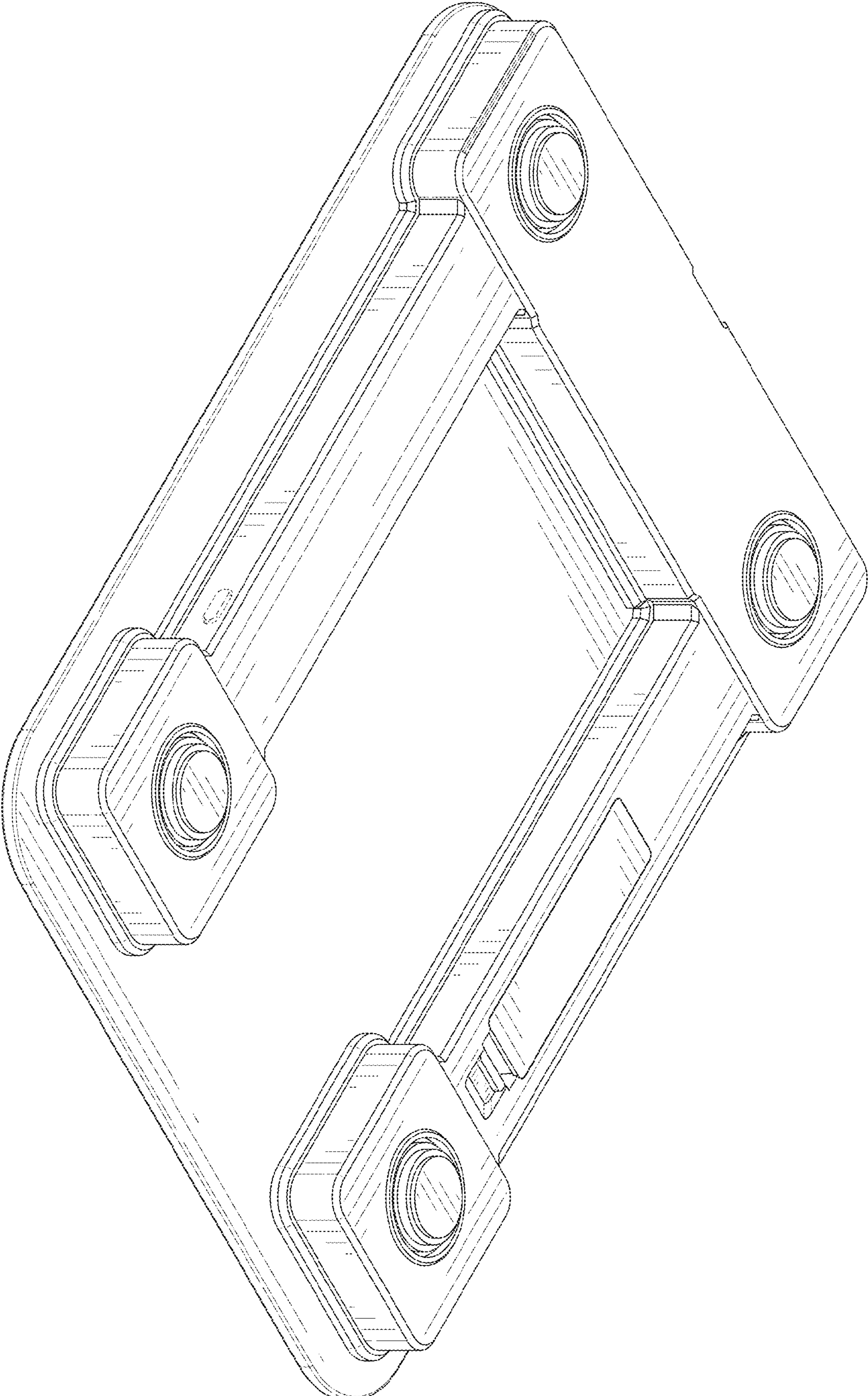


FIG. 2

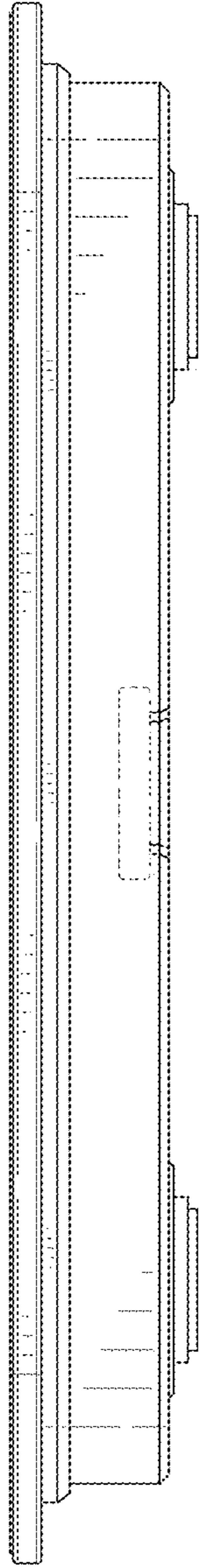


FIG. 3

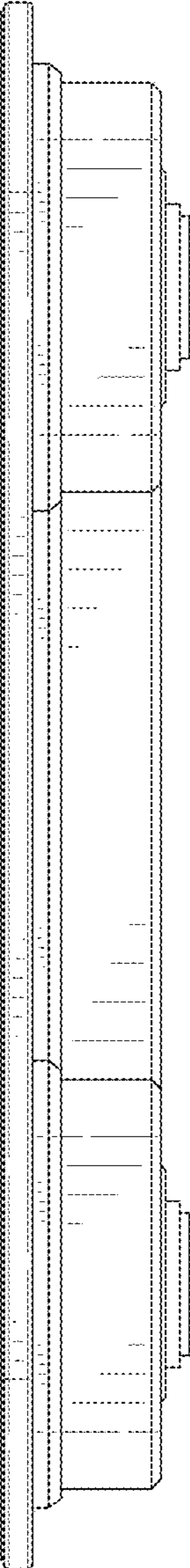


FIG. 4

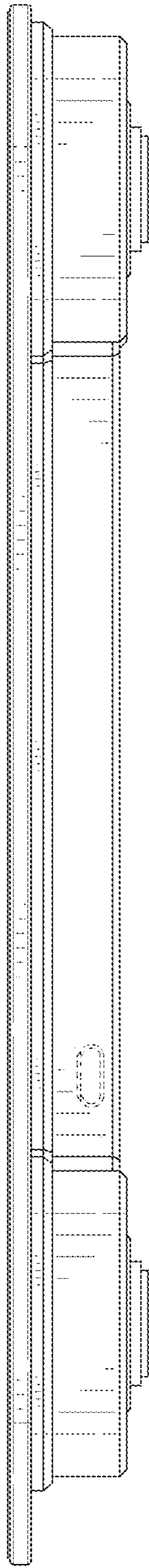


FIG. 5

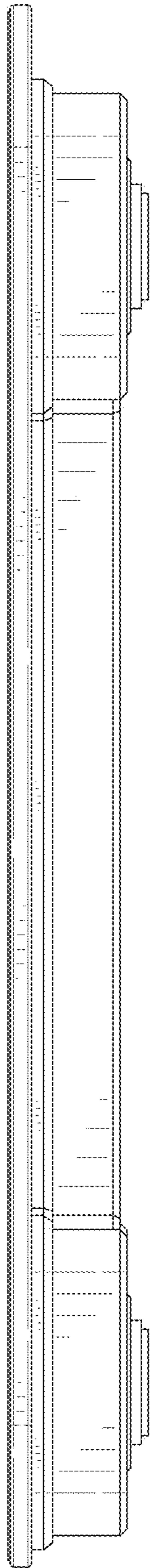


FIG. 6



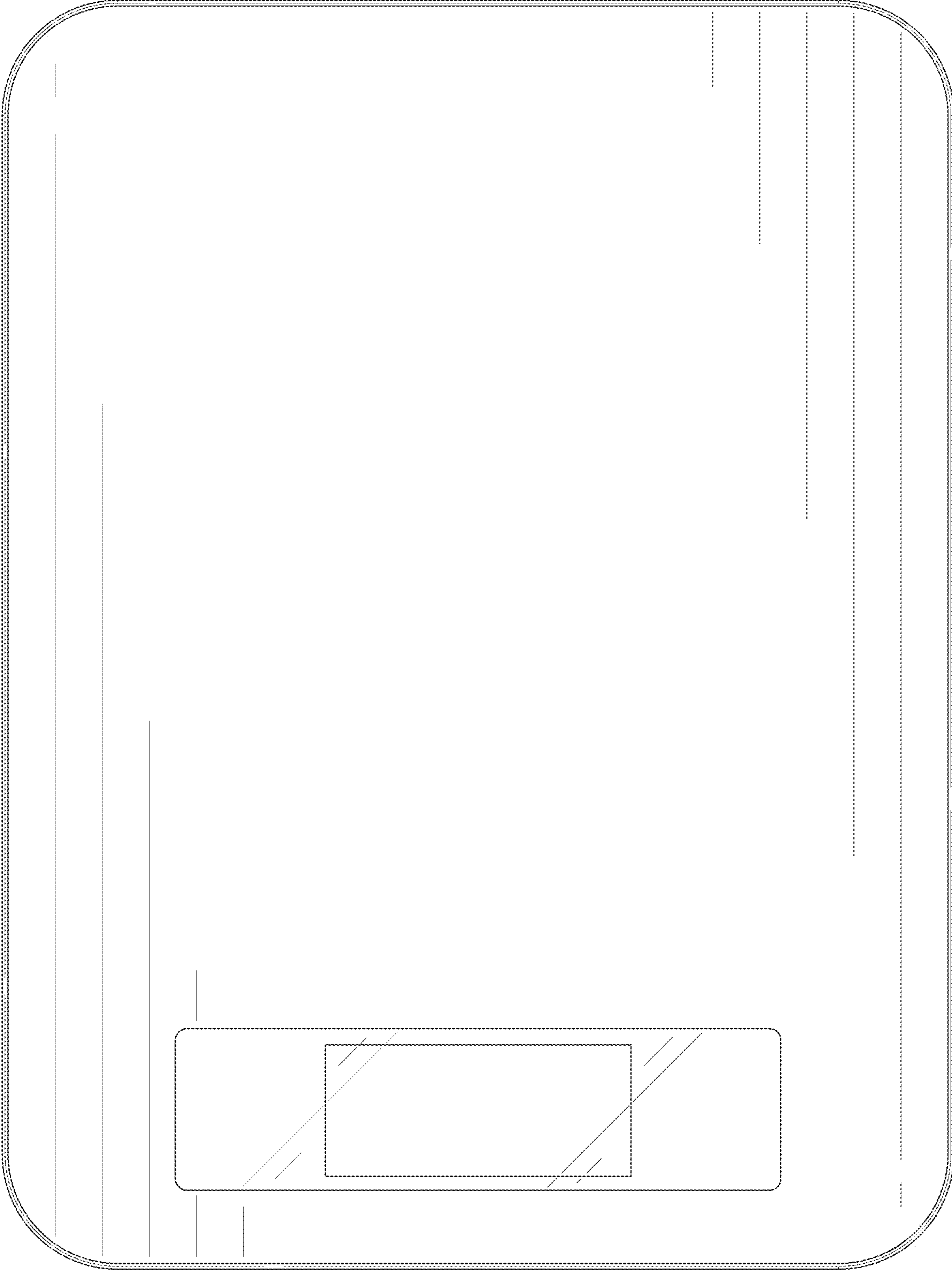


FIG. 7

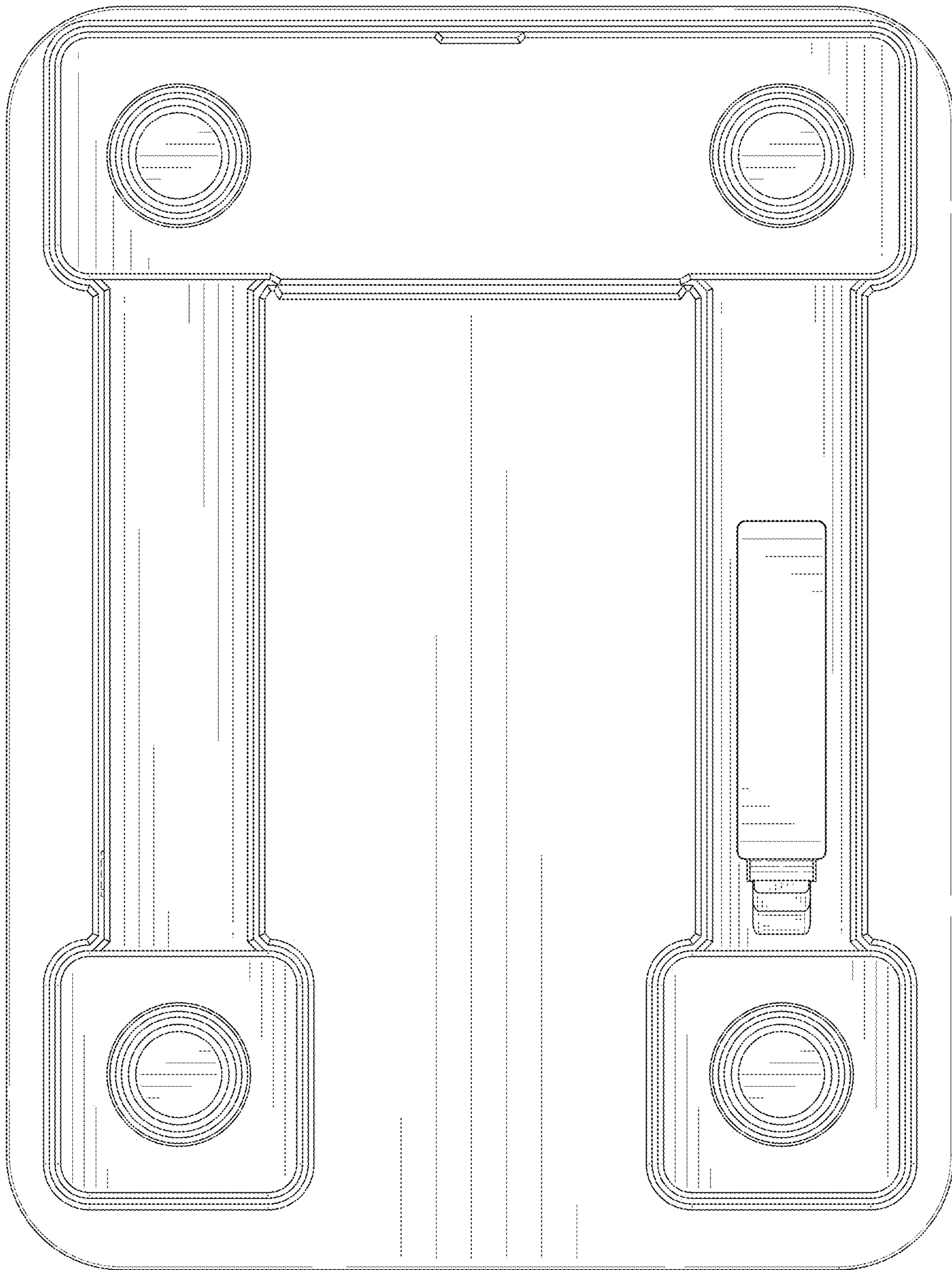


FIG. 8