



US00D973520S

(12) **United States Design Patent** (10) **Patent No.:** **US D973,520 S**  
**Akao** (45) **Date of Patent:** **\*\* Dec. 27, 2022**

(54) **TEMPERATURE SENSOR**  
(71) Applicant: **KOKUSAI ELECTRIC CORPORATION**, Tokyo (JP)  
(72) Inventor: **Tokunobu Akao**, Toyama (JP)  
(73) Assignee: **KOKUSAI ELECTRIC CORPORATION**, Tokyo (JP)

D560,126 S \* 1/2008 Frake ..... D10/57  
D597,423 S \* 8/2009 Park ..... A61B 5/01  
D10/52  
D778,741 S \* 2/2017 Osaka ..... G01K 1/026  
D10/60  
D780,606 S \* 3/2017 Osaka ..... D10/60  
D819,463 S \* 6/2018 Akao ..... D10/60  
2002/0088640 A1\* 7/2002 Schuh ..... G01K 1/026  
374/E1.005

(\*\*) Term: **15 Years**  
(21) Appl. No.: **29/772,172**  
(22) Filed: **Feb. 26, 2021**

**FOREIGN PATENT DOCUMENTS**

JP 1647666 S 12/2012

\* cited by examiner

*Primary Examiner* — Antoine Duval Davis  
(74) *Attorney, Agent, or Firm* — Fitch, Even, Tabin & Flannery, LLP

(30) **Foreign Application Priority Data**

Aug. 31, 2020 (JP) ..... 2020-018343 D

(51) **LOC (13) Cl.** ..... **10-04**

(52) **U.S. Cl.**  
USPC ..... **D10/57; D13/133**

(58) **Field of Classification Search**  
USPC ..... D10/57; D13/133  
CPC ..... G01K 7/02; G01K 7/023; G01K 7/026;  
G01K 7/028; G01K 7/04; G01K 7/06;  
G01K 7/08; G01K 7/10; G01K 7/12;  
G01K 7/13; G01K 7/14; G01K 1/12;  
G01K 1/08; G01K 1/125; G01K 1/10;  
G01K 1/105

See application file for complete search history.

(57) **CLAIM**

The ornamental design for a temperature sensor, as shown and described.

**DESCRIPTION**

FIG. 1 is a front, top and right side perspective view of a temperature sensor showing our new design; FIG. 2 is a front elevational view thereof; FIG. 3 is a left side elevational view thereof; FIG. 4 is a right side elevational view thereof; FIG. 5 is a top plan view thereof; FIG. 6 is a bottom plan view thereof; FIG. 7 is a rear elevational view thereof; and, FIG. 8 is a cross sectional view taken along line 8-8 in FIG. 4.

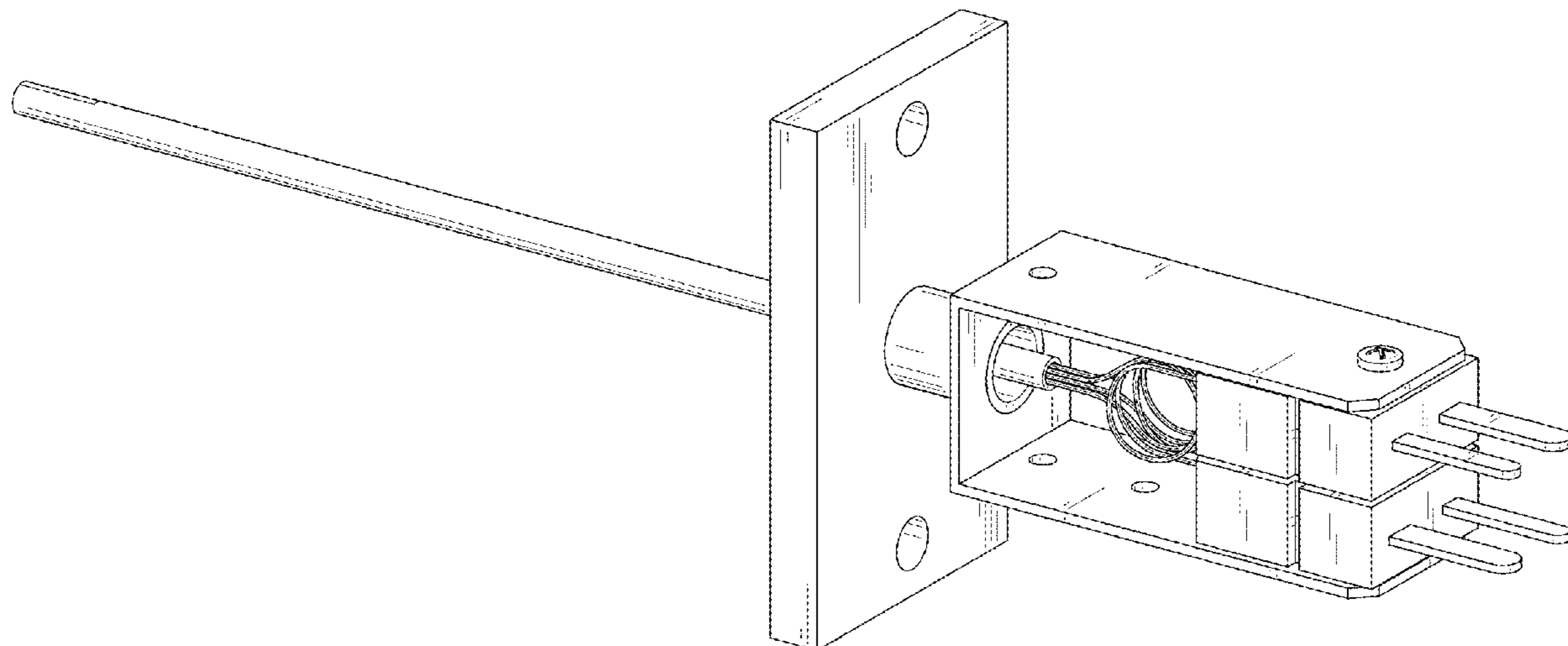
The broken line in FIG. 8 forms no part of the claimed design.

(56) **References Cited**

**U.S. PATENT DOCUMENTS**

4,369,795 A \* 1/1983 Bicher ..... A61B 5/01  
374/E7.009  
D421,924 S \* 3/2000 Luo ..... D10/49  
D424,016 S \* 5/2000 Gipson ..... D13/133

**1 Claim, 6 Drawing Sheets**



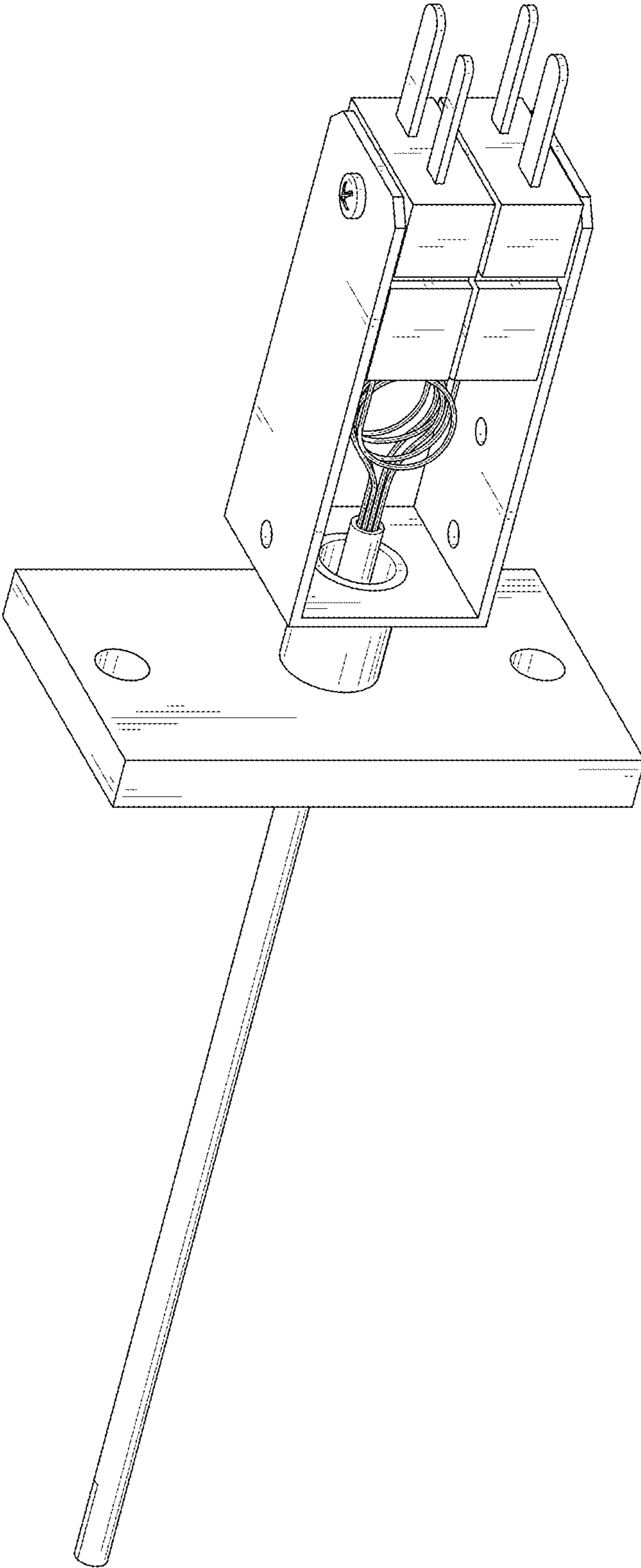


FIG. 1

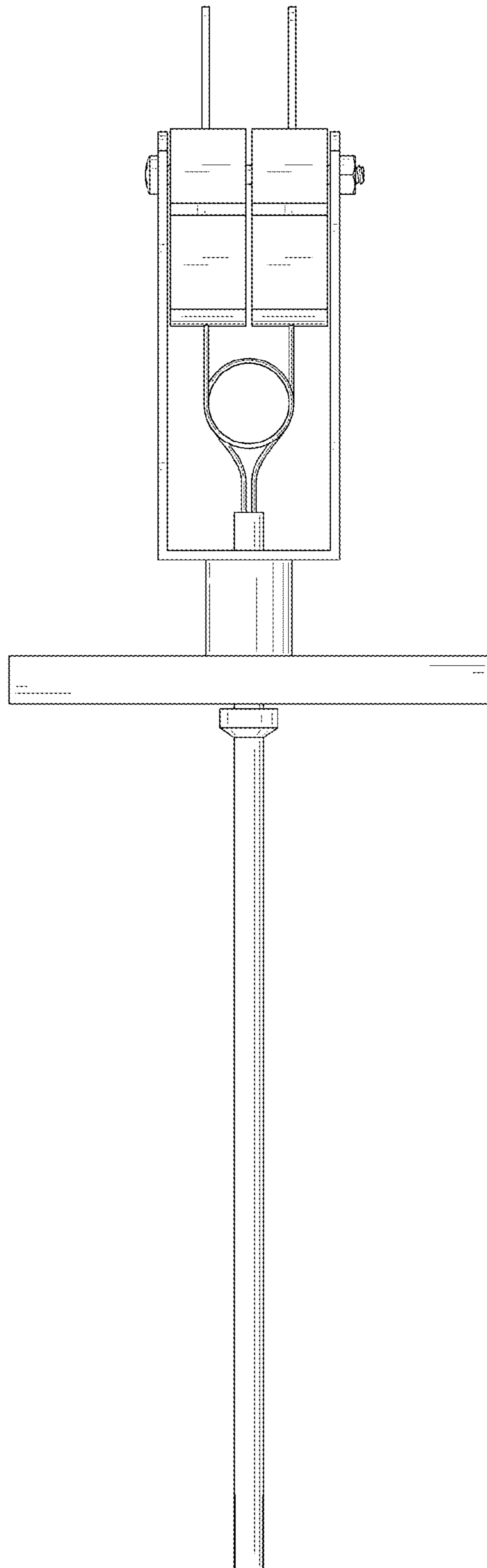


FIG. 2

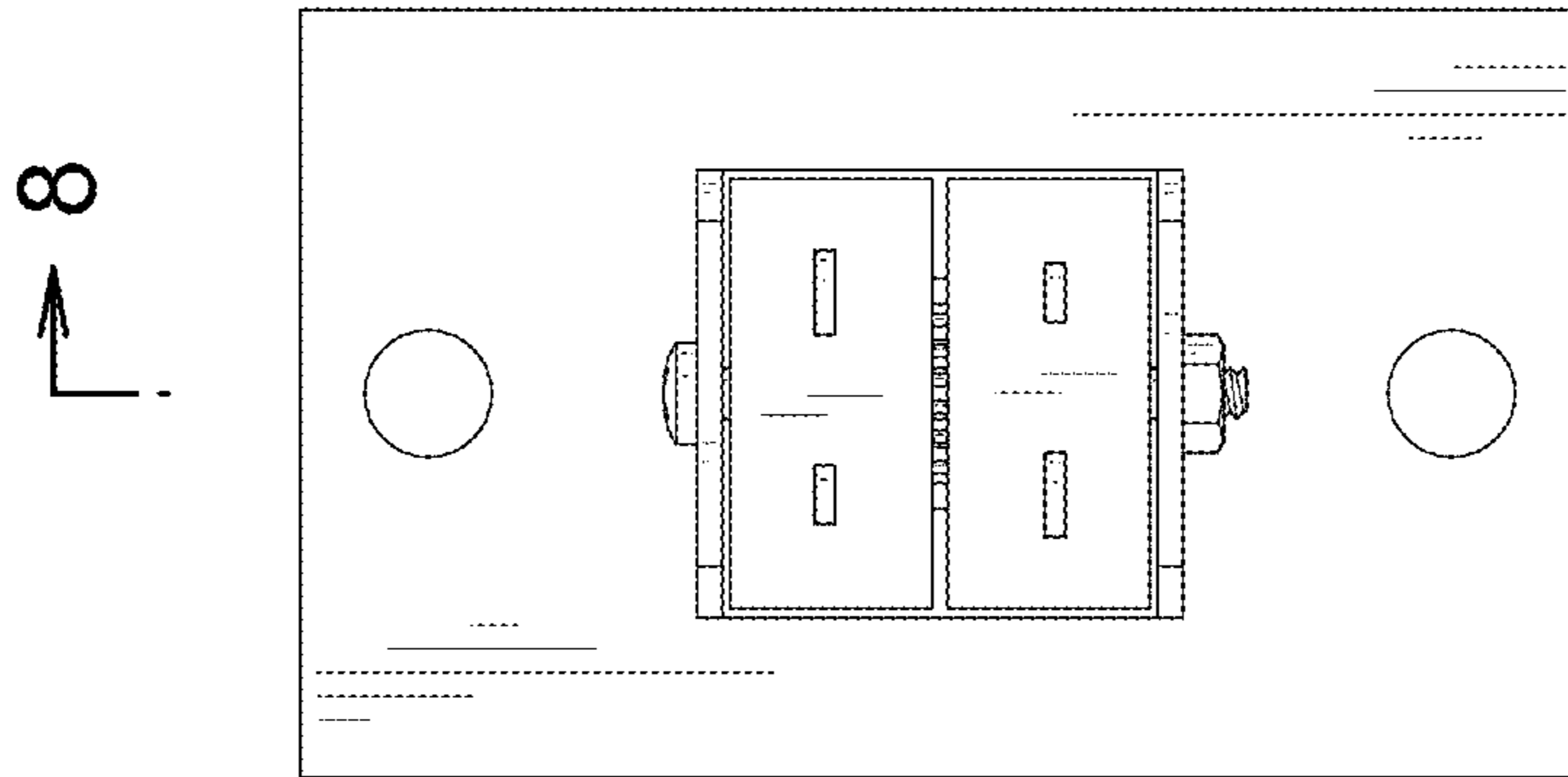


FIG. 4

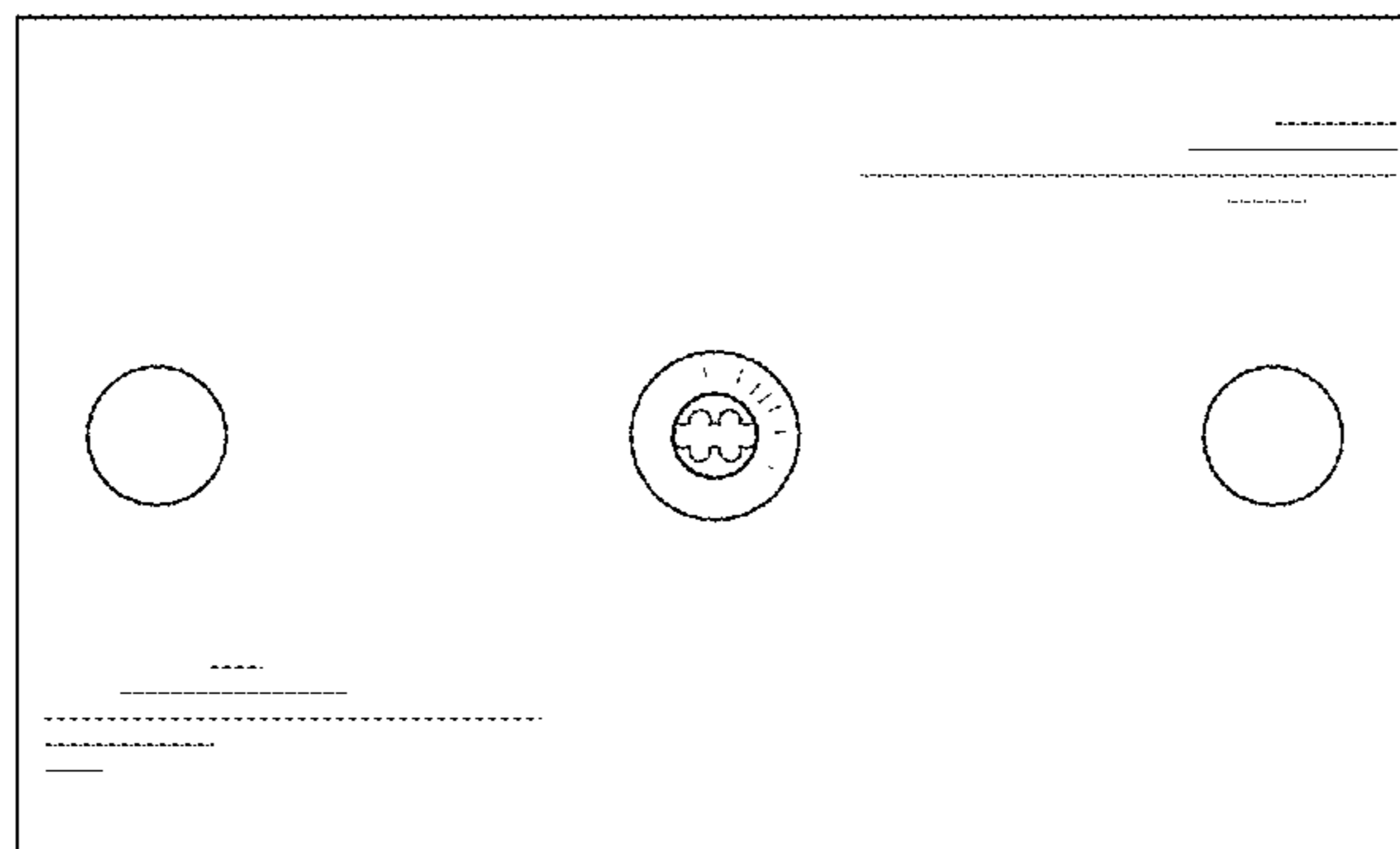


FIG. 3

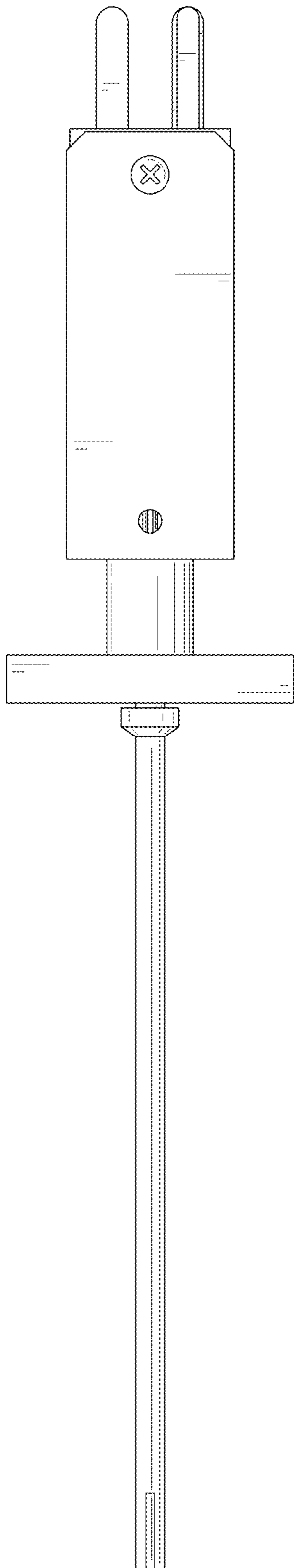


FIG. 5

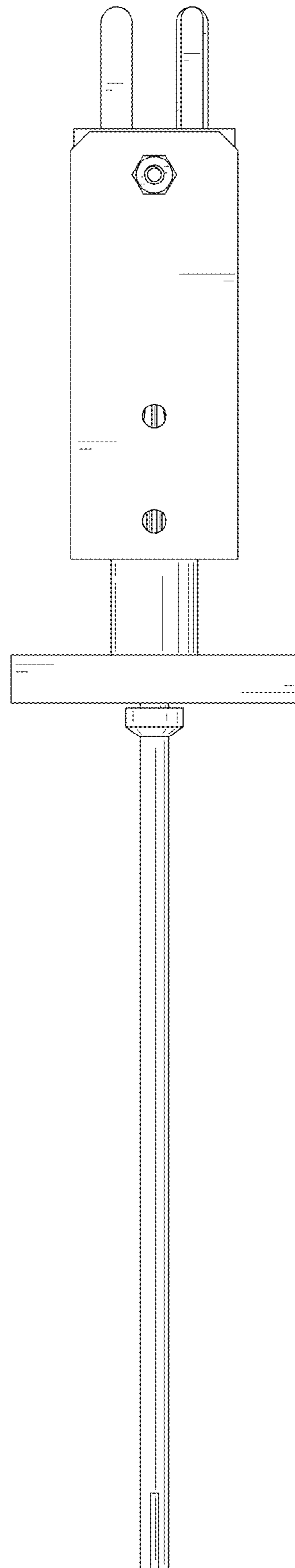


FIG. 6

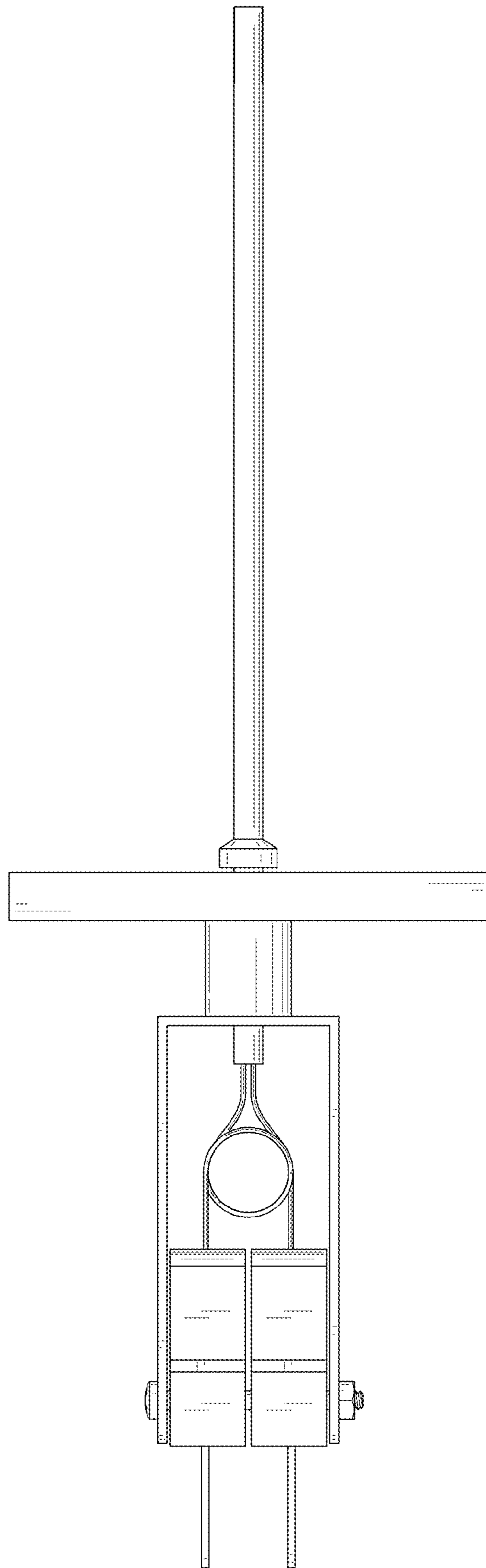


FIG. 7



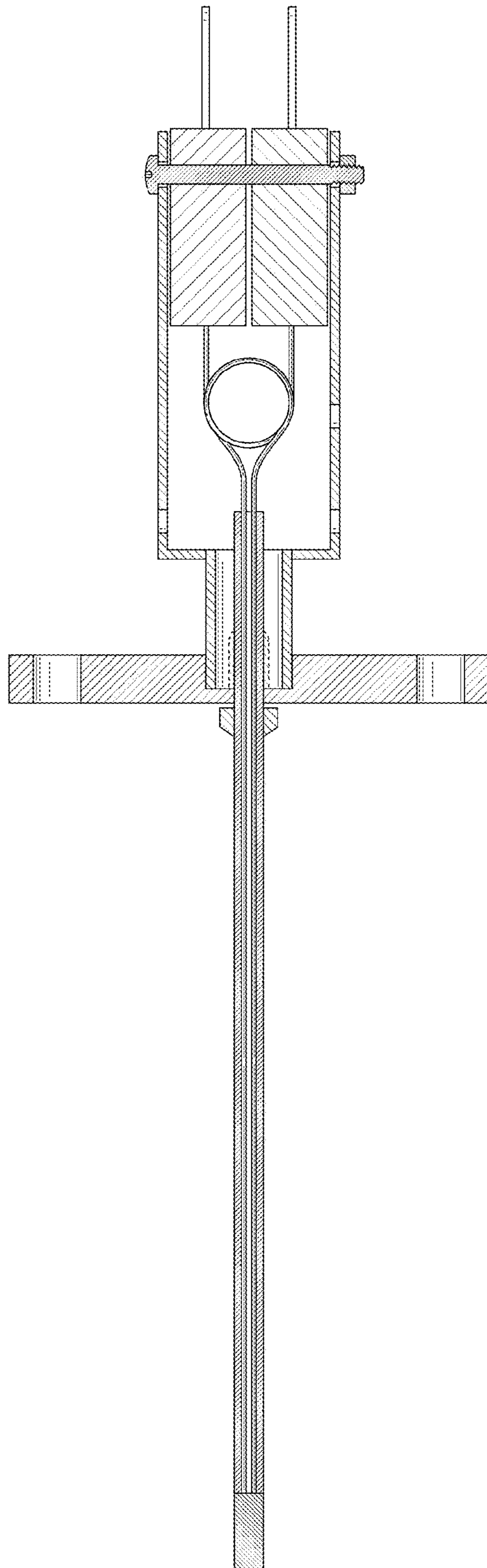


FIG. 8