



US00D973519S

(12) **United States Design Patent**
Zhao

(10) **Patent No.:** **US D973,519 S**

(45) **Date of Patent:** **** Dec. 27, 2022**

(54) **HYGROTHERMOGRAPH**
(71) Applicant: **Shenzhen Juku Intelligent Technology Co., Ltd., Shenzhen (CN)**
(72) Inventor: **Jinqiu Zhao, Jinzhou (CN)**
(73) Assignee: **Shenzhen Juku Intelligent Technology Co., Ltd., Shenzhen (CN)**
(**) Term: **15 Years**
(21) Appl. No.: **29/754,753**
(22) Filed: **Oct. 14, 2020**

(30) **Foreign Application Priority Data**

Apr. 15, 2020 (CN) 202030150513.7

(51) **LOC (13) Cl.** **10-04**

(52) **U.S. Cl.**
USPC **D10/53**

(58) **Field of Classification Search**
USPC D10/2, 4, 5, 15, 22, 40, 46, 50, 52, 53, D10/78, 96, 106.5
CPC G01W 1/00; G01W 1/02; G01W 1/06
See application file for complete search history.

(56) **References Cited**

U.S. PATENT DOCUMENTS

D232,832 S * 9/1974 Christen, Jr. D10/52
D347,584 S * 6/1994 Vogelpohl D10/50
D351,797 S * 10/1994 White D10/15
D390,482 S * 2/1998 Pasquarette D10/50
D443,830 S * 6/2001 Young D10/2
D588,483 S * 3/2009 Chu D10/96
D602,388 S * 10/2009 Killo D10/46
D660,732 S * 5/2012 Bould D10/50
D700,075 S * 2/2014 Bould D10/50
D725,524 S * 3/2015 Takach D10/50
D750,980 S * 3/2016 Takach D10/50
D779,977 S * 2/2017 Jacob D10/50

D782,342 S * 3/2017 Dwivedula G06F 3/04817
D10/53
D783,422 S * 4/2017 Kashimoto D10/50
D795,092 S * 8/2017 Trishaun G01R 31/26
D10/53
D802,462 S * 11/2017 Morneau D10/96
D803,073 S * 11/2017 Ji G01R 31/26
D10/53
D818,849 S * 5/2018 Copparstad D10/50
D819,460 S * 6/2018 Fadell G01R 31/26
D10/50
D826,738 S * 8/2018 Liao D10/53
D827,456 S * 9/2018 Seum G01R 31/26
D10/52

(Continued)

FOREIGN PATENT DOCUMENTS

CN 304054186 * 2/2017
CN 304967007 * 12/2018

Primary Examiner — George D. Kirschbaum

Assistant Examiner — Lillian Windham

(74) *Attorney, Agent, or Firm* — Maier & Maier, PLLC

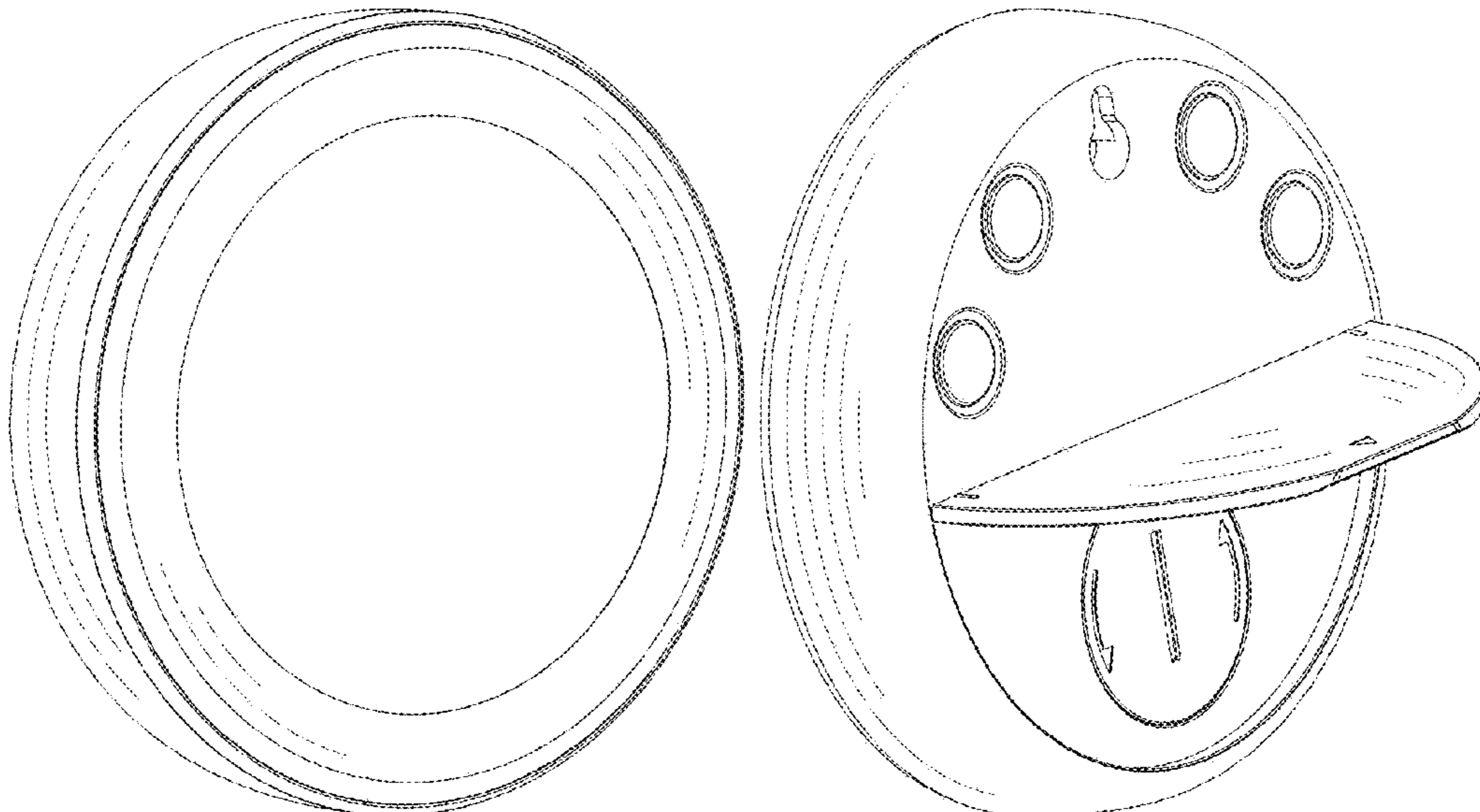
(57) **CLAIM**

The ornamental design for a hygrothermograph, as shown and described.

DESCRIPTION

FIG. 1 is a front elevational view of a hygrothermograph, showing my design;
FIG. 2 is a rear elevational view thereof;
FIG. 3 is a front perspective view thereof;
FIG. 4 is a rear perspective view thereof showing the hygrothermograph in an alternate orientation;
FIG. 5 is a rear perspective view thereof;
FIG. 6 is a right side elevational view thereof;
FIG. 7 is a left side elevational view thereof;
FIG. 8 is a top plan view thereof; and,
FIG. 9 is a bottom plan view thereof.

1 Claim, 9 Drawing Sheets



(56)

References Cited

U.S. PATENT DOCUMENTS

D843,238	S	*	3/2019	Rose	D10/50
D850,939	S	*	6/2019	Siminoff	D10/53
D868,603	S	*	12/2019	Yin	D10/53
D884,494	S	*	5/2020	Siminoff	D10/53
D885,208	S	*	5/2020	Rose	D10/50
D891,962	S	*	8/2020	Siminoff	G04F 1/005 D10/106.5
D892,645	S	*	8/2020	Lee	D10/50
D907,516	S	*	1/2021	Siminoff	D10/106.5
D911,191	S	*	2/2021	Qi	D10/50
D943,438	S	*	2/2022	Chen	G04F 1/005 D10/78
D948,354	S	*	4/2022	Lee	G04F 1/005 D10/50
D959,297	S	*	8/2022	Li	G04F 1/005 D10/40
2016/0086577	A1	*	3/2016	Broadbent	G06F 3/04817 345/690

* cited by examiner

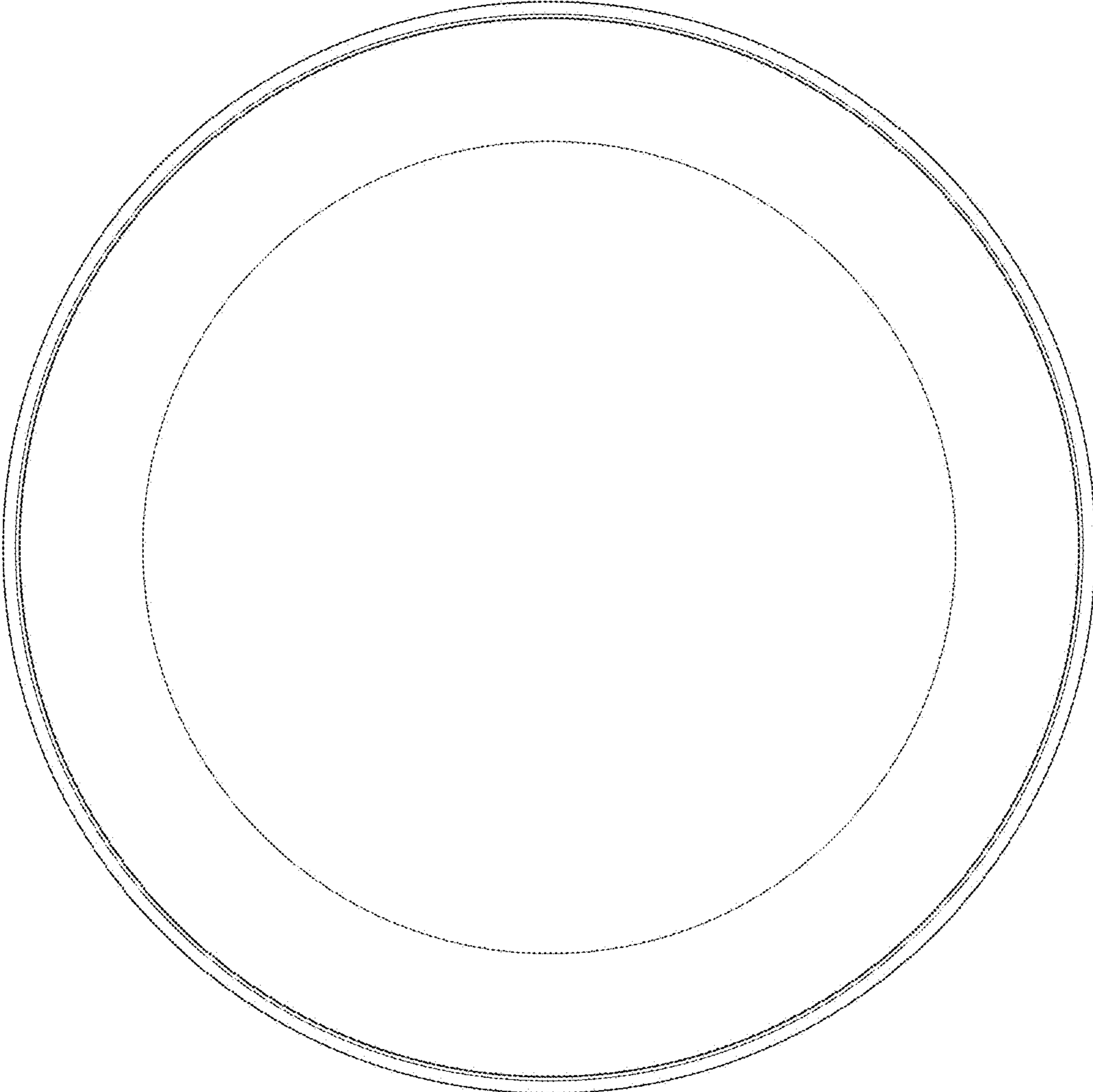


FIG. 1

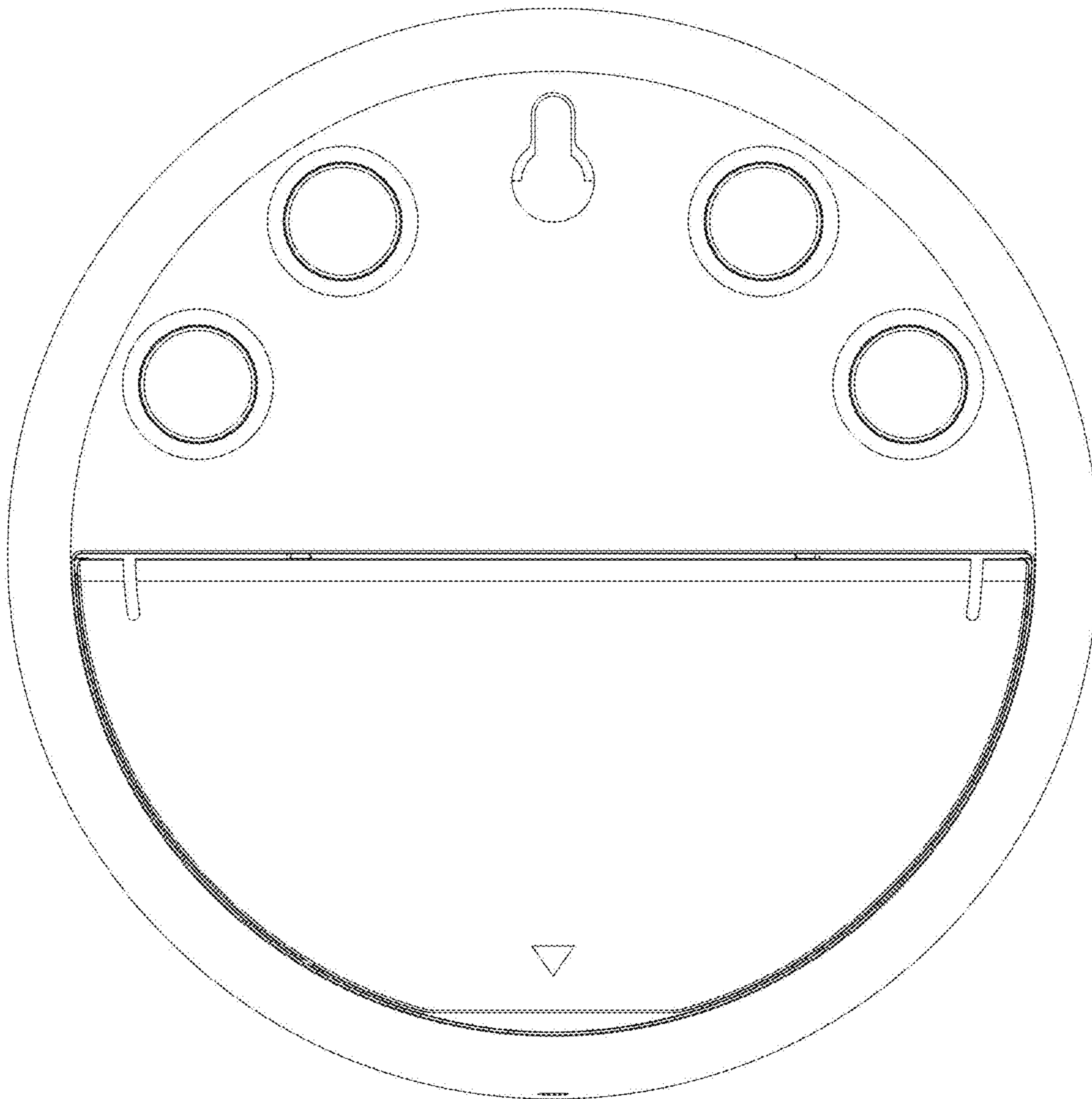


FIG. 2

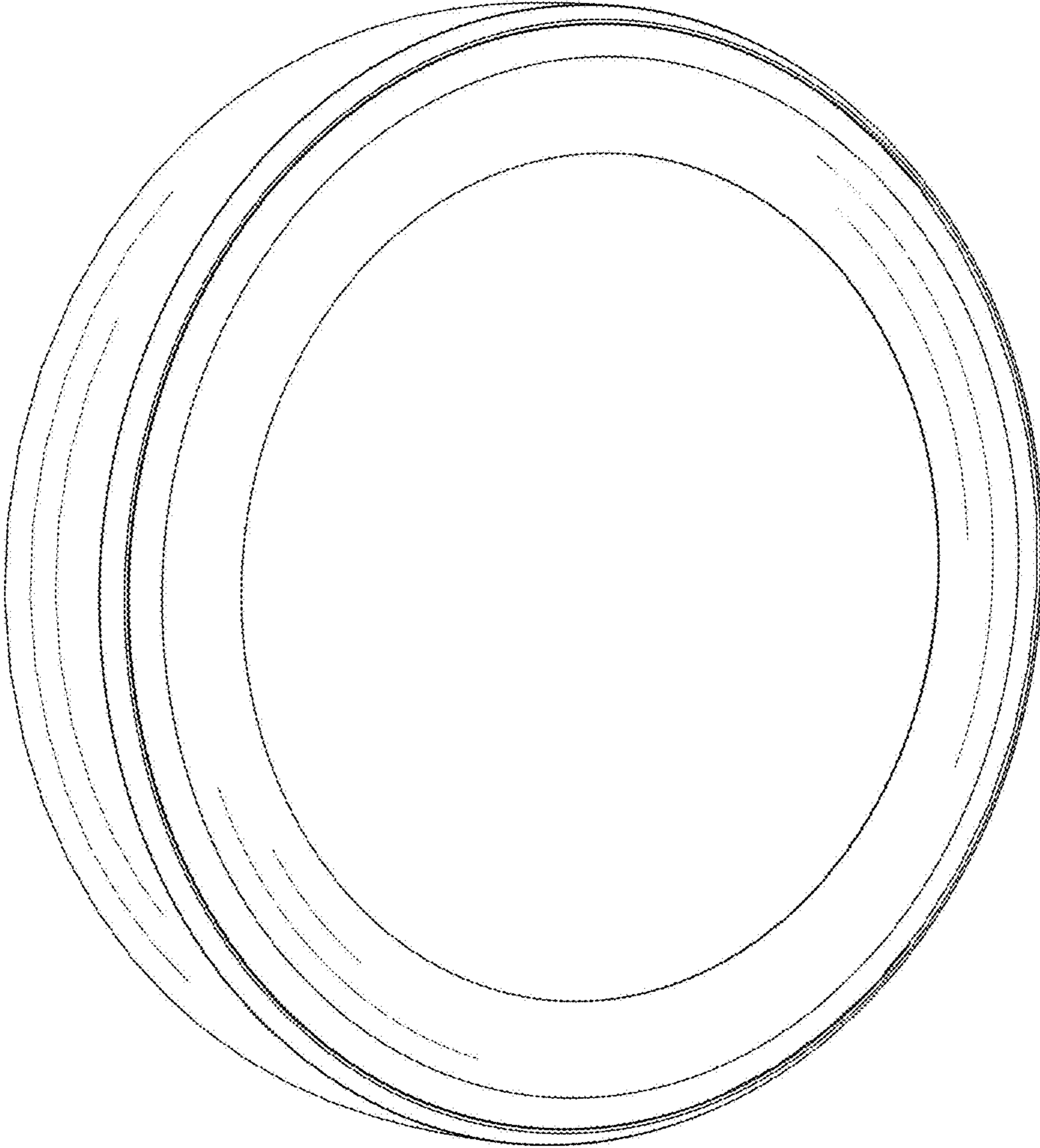


FIG. 3

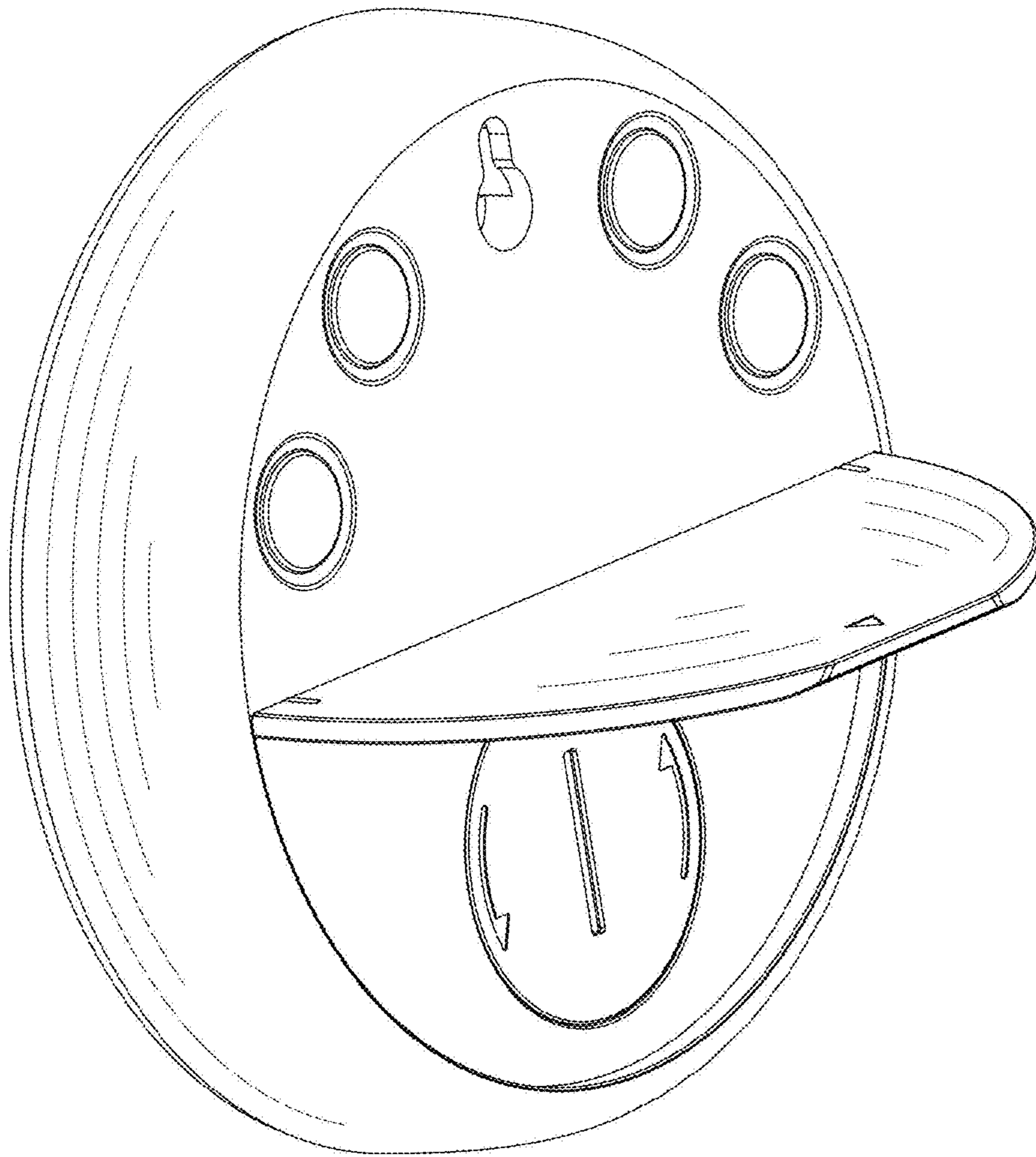


FIG. 4

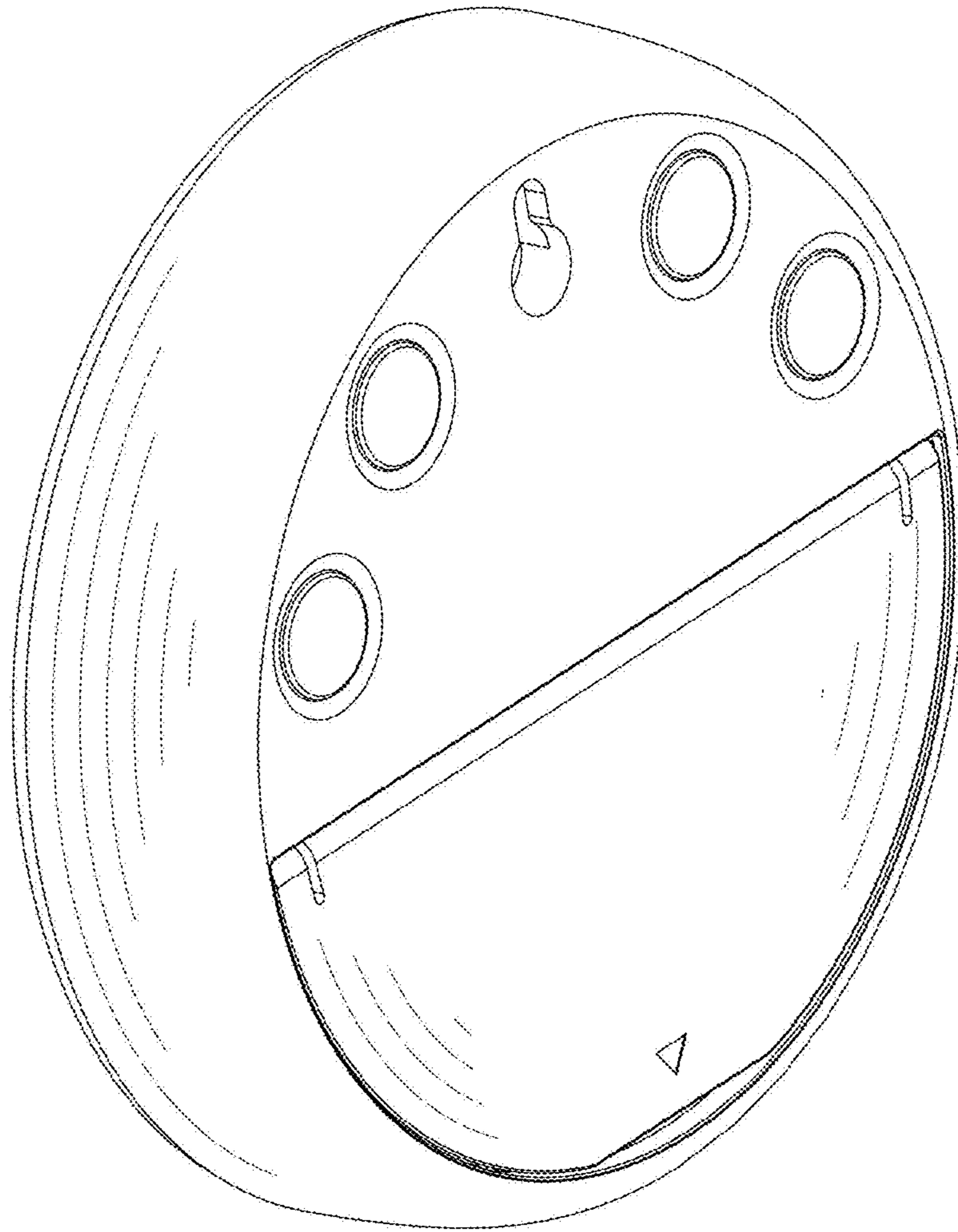


FIG. 5

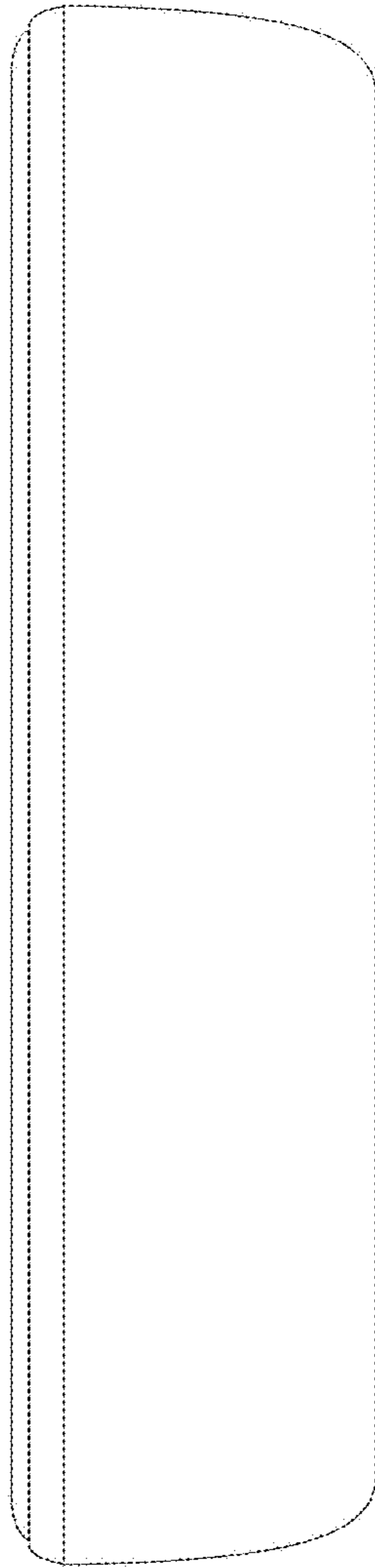


FIG. 6

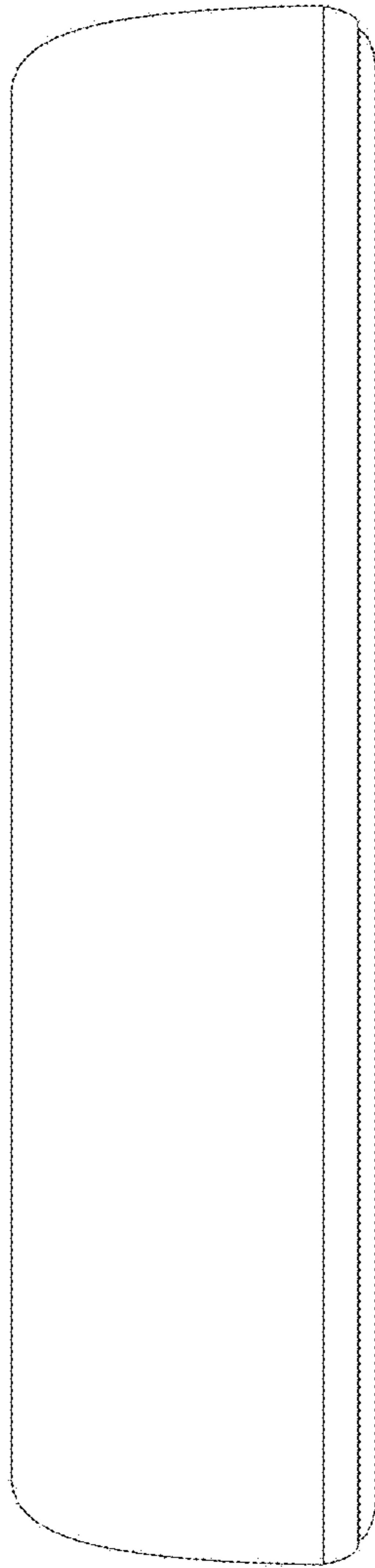


FIG. 7

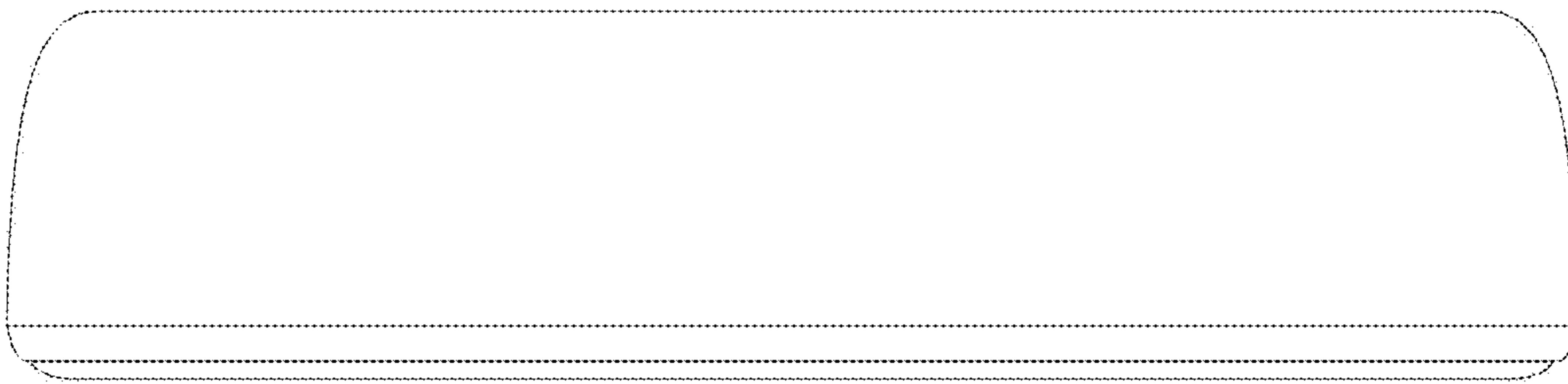


FIG. 8

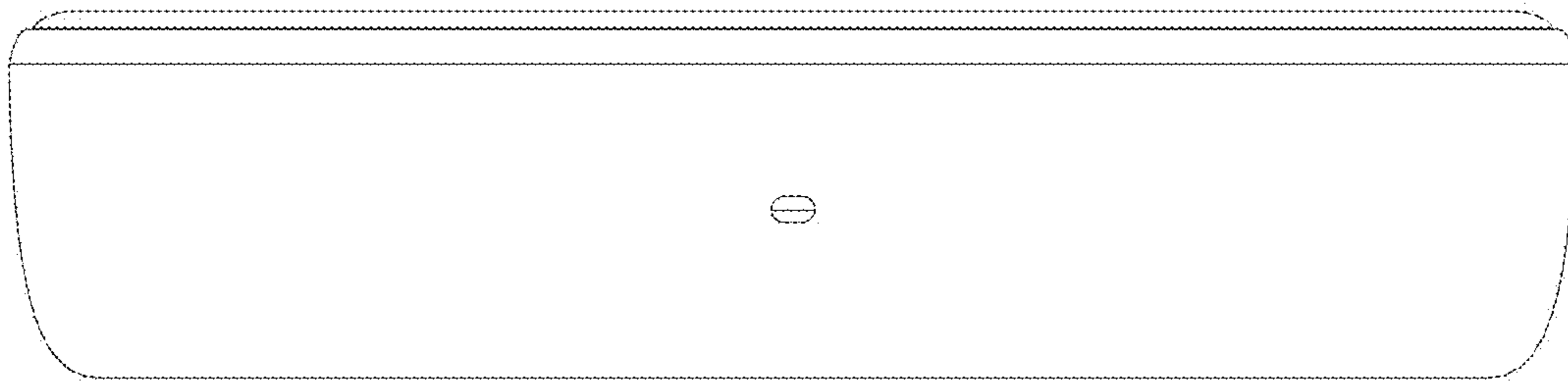


FIG. 9