



US00D973517S

(12) **United States Design Patent** (10) **Patent No.:** **US D973,517 S**
Park et al. (45) **Date of Patent:** **** Dec. 27, 2022**

(54) **WEARABLE DEVICE**

(71) Applicant: **Google LLC**, Mountain View, CA (US)

(72) Inventors: **Junyong Park**, San Francisco, CA (US); **Benjamin Patrick Robert Jean Riot**, Alamo, CA (US); **Irina Igorevna Kozlovskaya**, San Francisco, CA (US); **Eric John Fairbanks**, Lafayette, CA (US); **Brian Dennis Paschke**, San Francisco, CA (US); **Cédric Eric Jean-Edouard Bernard**, San Francisco, CA (US); **Jonah Avram Becker**, San Francisco, CA (US); **Gregoire Ludovic Vincent Vandebussche**, San Francisco, CA (US)

(73) Assignee: **GOOGLE LLC**, Mountain View, CA (US)

(**) Term: **15 Years**

(21) Appl. No.: **29/828,096**

(22) Filed: **Feb. 24, 2022**

Related U.S. Application Data

(63) Continuation of application No. 29/797,847, filed on Jul. 2, 2021.

(51) **LOC (13) Cl.** **10-02**

(52) **U.S. Cl.**
USPC **D10/38; D10/70**

(58) **Field of Classification Search**

USPC D24/167, 186; D14/138 R, 203.5, 203.6, D14/203.7, 341, 344; D11/3; D10/30-39, 70, 78, 97, 98
CPC A44C 5/00-5/16; G04B 37/00-37/228; G04B 45/0069; G04B 47/04; G04B 19/00-19/34; G04B 21/12; G04B 23/12;

(Continued)

(56) **References Cited**

U.S. PATENT DOCUMENTS

8,296,983 B2 10/2012 Padgett et al.
8,370,549 B2 2/2013 Burton et al.
(Continued)

FOREIGN PATENT DOCUMENTS

CN 203930353 U 11/2014
CN 303317625 S 8/2015
(Continued)

OTHER PUBLICATIONS

Fitbit Inspire 2 Health & Fitness Tracker, www.amazon.co.uk, Aug. 26, 2020. <https://www.amazon.co.uk/Fitbit-Inspire-Fitness-Tracker-Premium/dp/B08DFGPTSK> (Year: 2020).*
(Continued)

Primary Examiner — Llorelys Martinez
Assistant Examiner — Kwabena A. Ankobiah
(74) *Attorney, Agent, or Firm* — Leason Ellis LLP

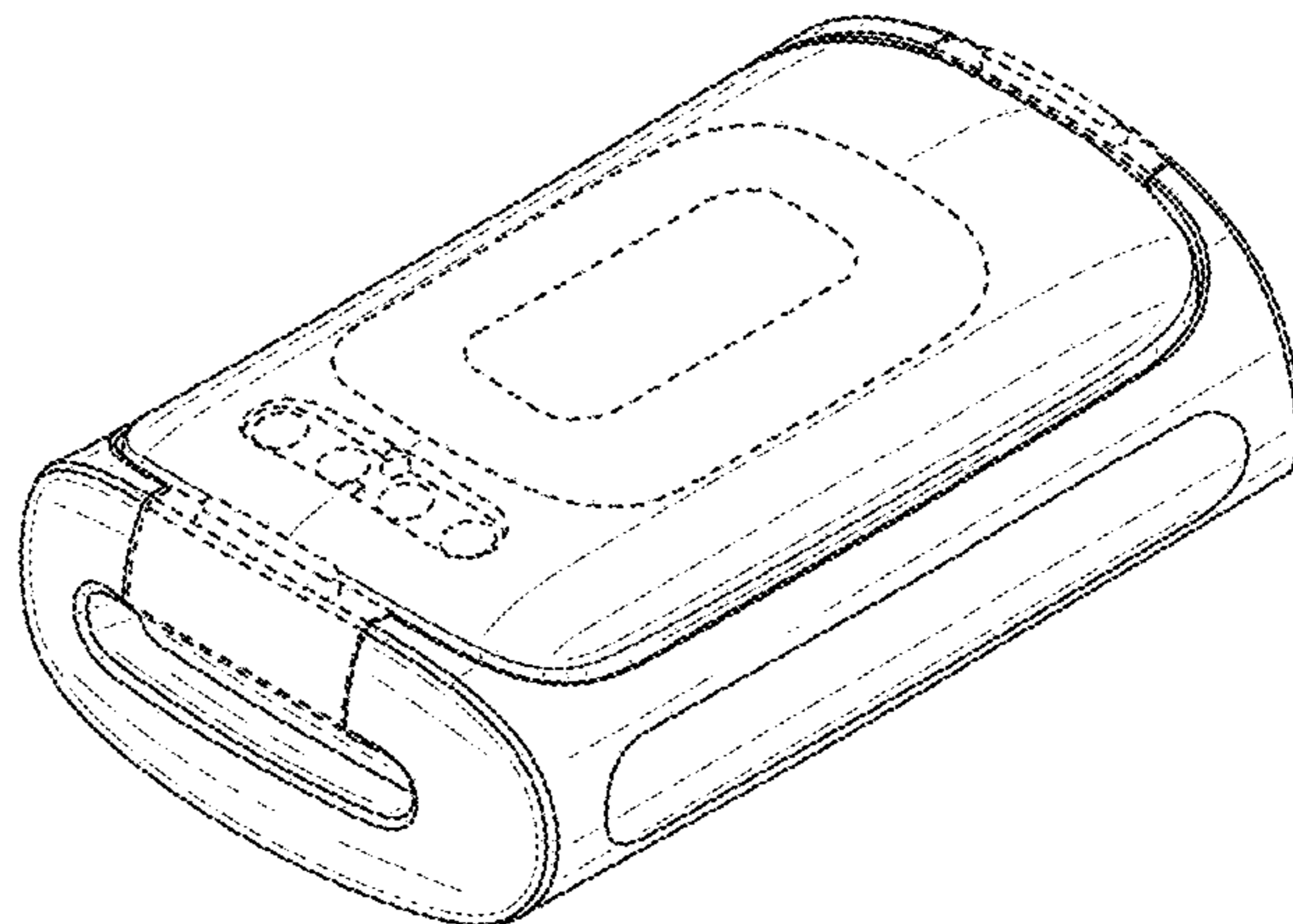
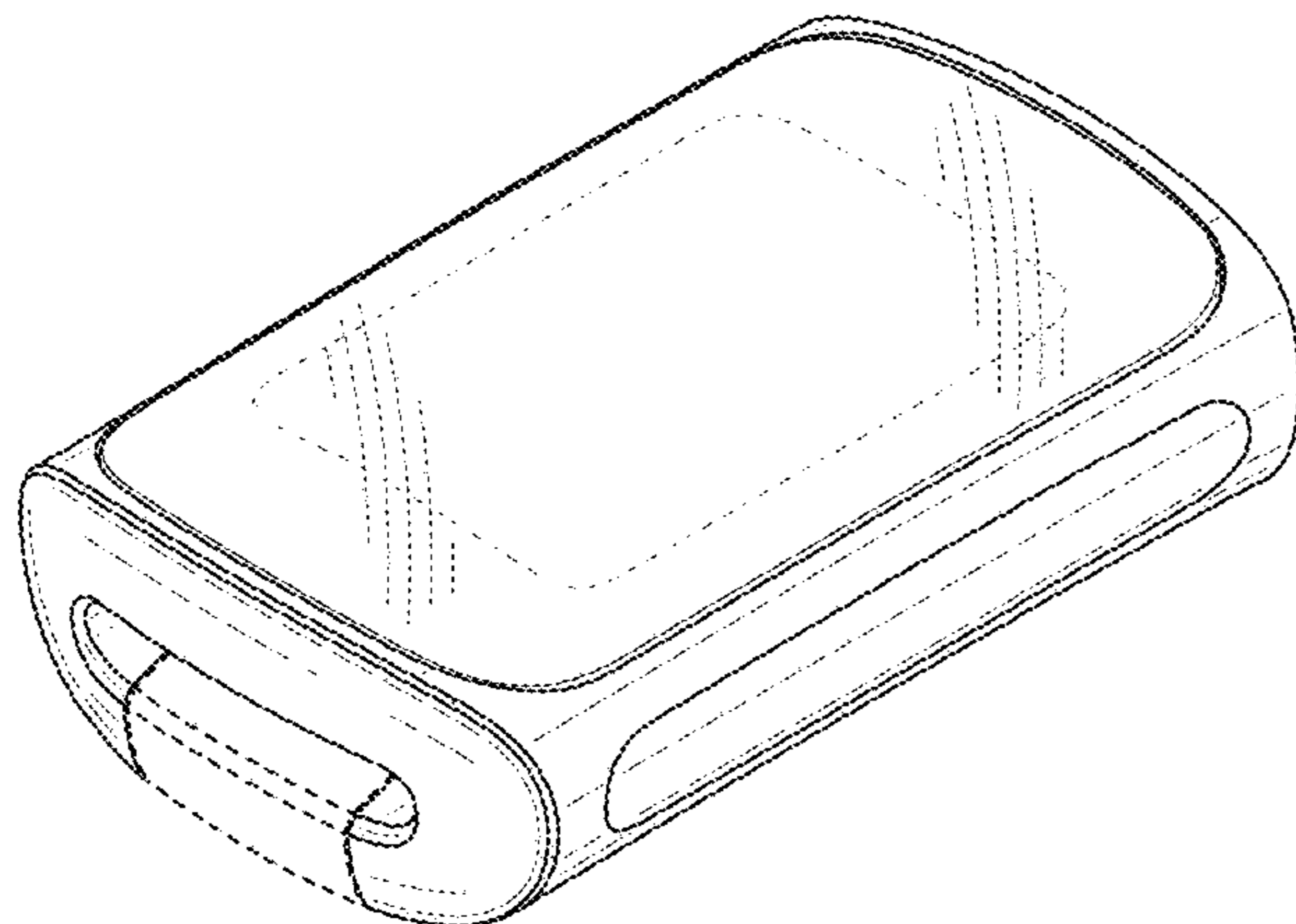
(57) **CLAIM**

The ornamental design for a wearable device, as shown and described.

DESCRIPTION

FIG. 1 is a top perspective view of a wearable device showing our new design;
FIG. 2 is a bottom perspective view thereof;
FIG. 3 is a right side view thereof;
FIG. 4 is a left side view thereof;
FIG. 5 is a front view thereof;
FIG. 6 is a back view thereof;
FIG. 7 is a top view thereof; and,
FIG. 8 is a bottom view thereof.
The broken lines in FIGS. 1-8 depict portions of the wearable device that form no part of the claimed design.

1 Claim, 4 Drawing Sheets



(58) **Field of Classification Search**

CPC G04B 47/00; G04B 47/068; G04B 47/065;
 G04B 47/066; G01C 17/00; G01C 21/00;
 G01C 21/3697; G01C 22/00; G01C
 22/025; G01C 23/005; G01C 21/16;
 G06F 19/3481; G06F 3/00; G06F 3/027;
 G06F 1/163; G01P 1/00; G01P 1/26;
 G01P 15/00; G01P 15/18; A63B 24/00;
 A63B 2024/0096; A63B 2213/00; A63B
 69/0028; A63B 2071/0658; A63B
 2071/0666; A63B 2220/00; A63B
 2220/89; A63B 2225/02; A63C 11/02;
 A61B 5/0537; A61B 5/4872; A61B
 5/6831; A61B 5/4869; A61B 5/0858;
 A61B 5/1075; A61B 5/107; A61B
 5/4875; A61B 5/4878; A61B 5/4881;
 A61B 5/61; A61B 5/6898; G04R 20/02;
 G04C 10/00; G04C 10/02; G08B
 21/0269; G08B 21/0272; G08B 21/0286;
 G08B 21/0288; G08B 21/0291; G08B
 21/04; G08B 21/2454; G01S 19/00; G01S
 19/55; G04G 9/0064; G04G 9/0005

See application file for complete search history.

(56) **References Cited**

U.S. PATENT DOCUMENTS

D720,249 S 12/2014 Park et al.
 D720,635 S 1/2015 Park et al.
 D724,453 S 3/2015 Ogihara et al.
 D726,052 S * 4/2015 Henning D10/70
 D727,183 S 4/2015 Park et al.
 D729,646 S 5/2015 Philips et al.
 D729,648 S 5/2015 Philips et al.
 D729,649 S 5/2015 Philips et al.
 D731,898 S * 6/2015 Squires D14/344
 D744,869 S 12/2015 Dallmeyer et al.
 D745,513 S 12/2015 Jung et al.
 D745,514 S 12/2015 Jung et al.
 D747,714 S 1/2016 Erbeus
 D749,002 S 2/2016 Park et al.
 D751,069 S 3/2016 Choi et al.
 D751,549 S 3/2016 Park et al.
 D759,516 S 6/2016 Ling et al.
 D790,374 S 6/2017 Lean et al.
 D795,719 S * 8/2017 Lean D10/70
 D796,363 S * 9/2017 Ross D10/70
 D800,596 S 10/2017 Ling et al.
 D803,709 S * 11/2017 Le Bihan D10/70
 D806,880 S * 1/2018 Henning D14/344
 D808,962 S 1/2018 Wu
 D809,502 S * 2/2018 Henne D14/341
 D813,229 S * 3/2018 Ling D14/344
 D814,643 S 4/2018 Mockler et al.
 D816,668 S 5/2018 Wu
 D826,763 S 8/2018 Chuang
 D827,585 S * 9/2018 Sato D10/50
 D827,838 S 9/2018 Lillquist et al.
 D831,643 S 10/2018 Son et al.
 D835,533 S * 12/2018 Zheng D10/70
 D839,753 S * 2/2019 Domke D10/30
 D840,042 S 2/2019 Yan
 D842,724 S 3/2019 Vandenbussche et al.
 D845,868 S 4/2019 Hale, Jr.
 D846,747 S 4/2019 Lillquist et al.
 D848,875 S 5/2019 Wildner et al.
 D860,989 S * 9/2019 Choplin D14/344
 D861,509 S 10/2019 Lee et al.
 D861,678 S 10/2019 Kern et al.
 D862,462 S 10/2019 Zhang
 D863,296 S * 10/2019 Kern D14/344
 D863,297 S * 10/2019 Ke D14/344
 D864,956 S 10/2019 Kern et al.

D865,546 S * 11/2019 Kellock D10/70
 D865,761 S * 11/2019 Choplin D14/344
 D869,461 S * 12/2019 Ke D14/344
 D869,462 S * 12/2019 Ke D14/344
 D878,364 S * 3/2020 Kern D14/344
 D878,365 S * 3/2020 Choplin D14/344
 D879,094 S * 3/2020 Choplin D14/344
 D880,475 S 4/2020 Kwon
 D886,100 S * 6/2020 Choplin D14/344
 D887,405 S * 6/2020 Kozlovskaya D14/344
 D895,613 S 9/2020 Kozlovskaya et al.
 D900,808 S * 11/2020 Vandenbussche D14/344
 D902,203 S * 11/2020 Choplin D14/344
 D902,921 S 11/2020 Riot et al.
 D902,922 S 11/2020 Riot et al.
 D902,923 S 11/2020 Riot et al.
 D903,663 S * 12/2020 Jones D14/344
 D903,664 S * 12/2020 Riot D14/344
 D905,581 S 12/2020 Wada et al.
 D910,011 S 2/2021 Vandenbussche et al.
 D910,012 S * 2/2021 Vandenbussche D14/344
 D910,617 S 2/2021 Vandenbussche et al.
 D910,618 S 2/2021 Kozlovskaya et al.
 10,945,496 B2 3/2021 Perkins et al.
 D916,080 S 4/2021 Arshad
 D917,467 S 4/2021 Akana et al.
 D917,470 S 4/2021 Akana et al.
 D917,471 S 4/2021 Yan et al.
 D917,704 S * 4/2021 Al-Ali D24/186
 10,987,054 B2 4/2021 Pandya et al.
 D918,197 S 5/2021 Zheng
 D918,899 S 5/2021 Zhu
 D920,327 S 5/2021 Wu
 D920,328 S 5/2021 Wu
 D922,376 S 6/2021 Zheng
 D922,377 S 6/2021 Kozlovskaya et al.
 D922,378 S 6/2021 Lin
 D922,883 S * 6/2021 Tabbah D10/32
 D923,003 S 6/2021 Lin
 D923,621 S 6/2021 Akana et al.
 D923,622 S 6/2021 Akana et al.
 D924,231 S 7/2021 Zhang
 D926,753 S 8/2021 Wu
 D926,756 S 8/2021 Yi et al.
 D927,484 S 8/2021 Wu
 D927,999 S * 8/2021 Paschke D10/70
 D928,000 S * 8/2021 Bernard D10/70
 D928,148 S 8/2021 Wu
 D928,781 S 8/2021 Kozlovskaya et al.
 D929,879 S * 9/2021 Paschke D10/70
 D929,989 S 9/2021 Han
 D931,583 S 9/2021 Hannah
 D931,852 S 9/2021 Zheng
 D931,853 S * 9/2021 Xu D14/344
 D933,066 S 10/2021 Li et al.
 D933,496 S 10/2021 Liu
 D933,497 S 10/2021 Selvam et al.
 D933,651 S * 10/2021 Cheng D14/344
 D943,516 S * 2/2022 Wang D13/107
 D947,179 S * 3/2022 Yin D14/344
 D947,183 S * 3/2022 Wu D14/344
 D954,702 S * 6/2022 Park D14/344
 2014/0073486 A1 3/2014 Ahmed et al.
 2015/0186609 A1 7/2015 Utter II
 2016/0062410 A1 * 3/2016 Ko G06F 1/1681
 361/679.03
 2016/0066853 A1 * 3/2016 Cheng A61B 5/053
 600/390
 2016/0374569 A1 12/2016 Breslow et al.
 2017/0011210 A1 1/2017 Cheong et al.
 2017/0065224 A1 3/2017 Rahko et al.
 2017/0120107 A1 5/2017 Wisbey
 2019/0361402 A1 11/2019 Markan et al.
 2020/0323316 A1 10/2020 Lui et al.
 2021/0015220 A1 1/2021 Xue et al.

(56)

References Cited

U.S. PATENT DOCUMENTS

2021/0100458 A1 4/2021 Magi
2021/0283627 A1 9/2021 Lopez et al.

FOREIGN PATENT DOCUMENTS

CN	303814660	S	8/2016
CN	205697726	U	11/2016
CN	304191013	S	6/2017
CN	304191025	S	6/2017
CN	30425914	S	8/2017
CN	206920835	U	1/2018
CN	2068667660	U	1/2018
CN	207341307	U	5/2018
CN	305059475	S	3/2019
CN	305146927	S	5/2019
CN	305301071	S	8/2019
CN	305306153	S	8/2019
CN	305580104	S	1/2020
CN	305630438	S	2/2020
CN	305919174	S	7/2020
CN	306077480		9/2020
CN	211628024	U	10/2020
CN	306215709	S	12/2020
CN	306277870	S	1/2021
CN	306288742	S	1/2021
EM	004527299-0001		11/2017
EM	005518487-0005		7/2018
EM	005518487-0006		7/2018
EM	005518487-0010		7/2018
EM	005518487-0012		7/2018
EM	005838075-0001		11/2018
EM	006428686-0009		5/2019
EM	006428686-0014		5/2019
EM	006585006-0004		6/2019
EM	006585006-0011		6/2019
EM	006860904-0001		9/2019
EM	007701685-0001		2/2020
EM	007770482-0002		3/2020
EM	007770482-0003		3/2020
EM	007770482-0004		3/2020
EM	007770482-0005		3/2020
EM	007770482-0006		3/2020
EM	007770482-0007		3/2020
EM	007770482-0008		3/2020
EM	007770482-0009		3/2020
EM	007770482-0020		3/2020
EM	007788658-0002		4/2020
EM	007828199-0001		4/2020
EM	007842240-0002		4/2020
EM	007842240-0003		4/2020
GB	6085909		3/2020
GB	6085910		3/2020
GB	6085921		3/2020
GB	6085928		3/2020
GB	6085929		3/2020
GB	6085930		3/2020
GB	6085931		3/2020
GB	6085932		3/2020
GB	6085933		3/2020
GB	6085934		3/2020
GB	6085935		3/2020
GB	6085936		3/2020
IN	320486-001-0001		8/2019
KR	101805257	B1	2/2017
KR	30-1024782		9/2019
WO	DM/210075		7/2020
WO	DM214384		3/2021
WO	DM/214397		3/2021

OTHER PUBLICATIONS

Fitbit Charge 5 Advanced Fitness & Health Tracker with Built-in GPS, www.amazon.com, Aug. 26, 2021. <https://www.amazon.com/>

Fitbit-Advanced-Management-Tracking-Included/dp/B09BXDZ9BD?th=1 (Year: 2021).*

Fitbit Luxe Health & Fitness Tracker, [www.amazon.co.uk](https://www.amazon.co.uk/Fitbit-Fitness-Membership-Included-Management/dp/B08ZF5X2PL), Apr. 20, 2021. <https://www.amazon.co.uk/Fitbit-Fitness-Membership-Included-Management/dp/B08ZF5X2PL> (Year: 2021).*

CHEREKI Fitness Watch, [www.amazon.co.uk](https://www.amazon.co.uk/CHEREKI-Activity-Trackers-Waterproof-Pedometer/dp/B08YJZ3ZGN), Mar. 9, 2021. <https://www.amazon.co.uk/CHEREKI-Activity-Trackers-Waterproof-Pedometer/dp/B08YJZ3ZGN> (Year: 2021).*

U.S. Appl. No. 29/706,974, filed Sep. 25, 2019, applicant Fitbit, Inc. Per rule 609.07, copy not provided as this is available in the USPTO system.

U.S. Appl. No. 29/729,039, filed Mar. 24, 2020, applicant Fitbit, Inc. Per rule 609.07, copy not provided as this is available in the USPTO system.

U.S. Appl. No. 29/721,845, filed Jan. 23, 2020, applicant Fitbit, Inc. Per rule 609.07, copy not provided as this is available in the USPTO system.

U.S. Appl. No. 29/721,870, filed Jan. 23, 2020, applicant Fitbit, Inc. Per rule 609.07, copy not provided as this is available in the USPTO system.

U.S. Appl. No. 29/722,312, filed Jan. 28, 2020, applicant Fitbit, Inc. Per rule 609.07, copy not provided as this is available in the USPTO system.

U.S. Appl. No. 29/722,314, filed Jan. 28, 2020, applicant Fitbit, Inc. Per rule 609.07, copy not provided as this is available in the USPTO system.

U.S. Appl. No. 29/729,177, filed Mar. 24, 2020, applicant Fitbit, Inc. Per rule 609.07, copy not provided as this is available in the USPTO system.

U.S. Appl. No. 29/656,638, filed Jul. 13, 2018, applicant Fitbit, Inc. Per rule 609.07, copy not provided as this is available in the USPTO system.

U.S. Appl. No. 29/732,494, filed Apr. 24, 2020, applicant Fitbit, Inc. Per rule 609.07, copy not provided as this is available in the USPTO system.

U.S. Appl. No. 29/732,495, filed Apr. 24, 2020, applicant Fitbit, Inc. Per rule 609.07, copy not provided as this is available in the USPTO system.

U.S. Appl. No. 29/732,496, filed Apr. 24, 2020, applicant Fitbit, Inc. Per rule 609.07, copy not provided as this is available in the USPTO system.

U.S. Appl. No. 29/669,190, filed Nov. 6, 2018, applicant Fitbit, Inc. Per rule 609.07, copy not provided as this is available in the USPTO system.

U.S. Appl. No. 29/688,946, filed Apr. 25, 2019, applicant Fitbit, Inc. Per rule 609.07, copy not provided as this is available in the USPTO system.

U.S. Appl. No. 29/702,946, filed Aug. 22, 2019, applicant Fitbit, Inc. Per rule 609.07, copy not provided as this is available in the USPTO system.

U.S. Appl. No. 29/702,397, filed Aug. 19, 2019, applicant Fitbit, Inc. Per rule 609.07, copy not provided as this is available in the USPTO system.

Abandoned U.S. Appl. No. 29/705,182, filed Sep. 10, 2019, applicant Fitbit, Inc. Per rule 609.07, copy not provided as this is available in the USPTO system.

U.S. Appl. No. 29/728,976, filed Mar. 23, 2020, applicant Fitbit, Inc. Per rule 609.07, copy not provided as this is available in the USPTO system.

“New Fitbit Versa on the way with built-in Amazon Alexa?” Source: [androidauthority.com](https://www.androidauthority.com/fitbit-versa-2-amazon-alex-1014860/) (<https://www.androidauthority.com/fitbit-versa-2-amazon-alex-1014860/>) Website accessed Mar. 30, 2020.

Connect By Timex Active Smartwatch with Heart Rate, Notifications and Activity Tracking, available at Amazon.com <https://www.amazon.com/iConnect-Timex-TW5M34400-Active-Smartwatch/dp/B07XZRQBGV>). Website accessed Mar. 30, 2020.

Alfawise H19 RFID Sports Smartwatch Fitness Tracker—Black, available at [gearbest.com](https://www.gearbest.com/smart-watches/pp_009207049039.html?wid=1433363) (https://www.gearbest.com/smart-watches/pp_009207049039.html?wid=1433363). Website accessed Mar. 30, 2020.

(56)

References Cited

OTHER PUBLICATIONS

Ergofinity™ Bluetooth Smart Watch available at [ergofinity.com](https://ergofinity.com/products/bluetooth-smart-watch-ios-android) (<https://ergofinity.com/products/bluetooth-smart-watch-ios-android>). Website accessed Mar. 30, 2020.

Amazfit BIP Lite 3ATM Smart Watch (Blue) available at [amazon.in](https://www.amazon.in/Amazfit-Lite-3ATM-Smart-Watch/dp/B07WQWDYJ7/ref=asc_df_B07WQWDYJ7_tag=googleshopdes-21&linkCode=dfO&hvadid=397082878775&hvpos=&hvnetw=g&hvrnd=13400080515884943460&hvpon=&hvptwo=&hvqmt=&hvdev=c&hvdvmdl=&hvlocint=&hvlocphy=1007765&hvtargid=pla-819594895182&pssc=1&ext_vmc=hi) (https://www.amazon.in/Amazfit-Lite-3ATM-Smart-Watch/dp/B07WQWDYJ7/ref=asc_df_B07WQWDYJ7_tag=googleshopdes-21&linkCode=dfO&hvadid=397082878775&hvpos=&hvnetw=g&hvrnd=13400080515884943460&hvpon=&hvptwo=&hvqmt=&hvdev=c&hvdvmdl=&hvlocint=&hvlocphy=1007765&hvtargid=pla-819594895182&pssc=1&ext_vmc=hi). Website accessed Mar. 30, 2020.

Samsung's 6th smartwatch has a 3G modem and a massive curved display, posted Aug. 28, 2014, [retrieved Jun. 5, 2019]. Retrieved from Internet, <URL:<https://arstechnica.com/gadgets/2014/08/samsungs-6th-smartwatch-has-a-3g-modem-and-a-massive-curved-display/>>.

Samsung Introduces Three New Wearables for Balanced and Connected Living, Samsung Newsroom, posted Feb. 20, 2019, accessed Feb. 25, 2019. <URL: <https://news.samsung.com/us/samsung-wearable-galaxy-watch-active-galaxy-fit-galaxy-buds-unpacked-2019/>>.

Seifert, "Making Time: how Pebble built its next smartwatch," downloaded from: <http://www.theverge.com/2015/2/24/8091175/pebble-time-watchwearable-platform-eric-migicovsky-interview>. The Verge, Feb. 24, 2015.

Alfawise H19 RFID Sports Smartwatch Fitness Tracker for sale at [gearbest.com](https://www.gearbest.com/smart-watches/pp_009207049039.html?wid=1433363) (https://www.gearbest.com/smart-watches/pp_009207049039.html?wid=1433363). Website accessed Dec. 6, 2019.

Fitbit Versa Smartwatch and Activity Tracker with Classic Band for sale at HSN (<https://www.hsn.com/products/fitbit-versa-smartwatch-and-activity-tracker-with-class/8688605>). Website accessed Dec. 6, 2019.

Fitbit Versa Smartwatch for sale at [kohls.com](https://www.kohls.com/product/prd-3296179/fitbit-versa-smart-fitness-watch-non-nfc.jsp) (<https://www.kohls.com/product/prd-3296179/fitbit-versa-smart-fitness-watch-non-nfc.jsp>). Website accessed Dec. 6, 2019.

"Basis B1 Watch In-Depth Review", DC Rainmaker (<http://www.dcrainmaker.com/2013/basis-b1-review.html>). Website accessed Feb. 4, 2014.

Review: Fitbit Inspire HR, dated Mar. 12, 2019, source [Wired.com](https://www.wired.com/review/review-fitbit-inspire-hr/) (<https://www.wired.com/review/review-fitbit-inspire-hr/>). Website accessed Aug. 31, 2020.

Stolyar, Brenda. "Fitbit Charge 3 Review dated Nov. 19, 2019: Jack of All Trades", source [Digital Trends](https://www.digitaltrends.com/fitness-tracker-reviews/lil-bil-charge-3-review/) (<https://www.digitaltrends.com/fitness-tracker-reviews/lil-bil-charge-3-review/>). Website accessed Aug. 25, 2020.

U.S. Appl. No. 29/760,763 filed Dec. 3, 2020, applicant Fitbit, Inc. Per rule 609.07, copy not provided as this is available in the USPTO system.

U.S. Appl. No. 29/729,178, filed Mar. 24, 2020, applicant Fitbit, Inc. Per rule 609.07, copy not provided as this is available in the USPTO system.

* cited by examiner

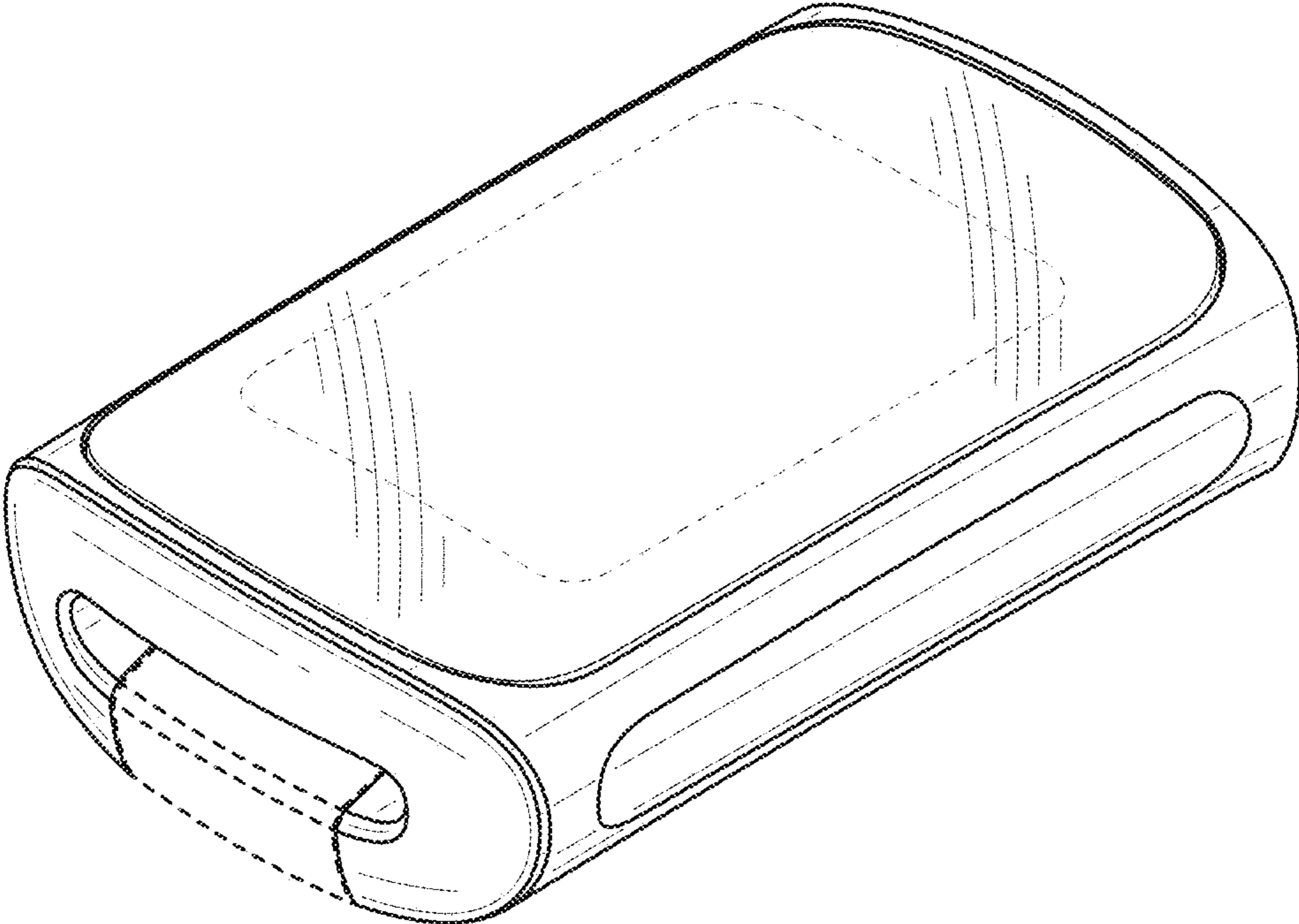


FIG. 1

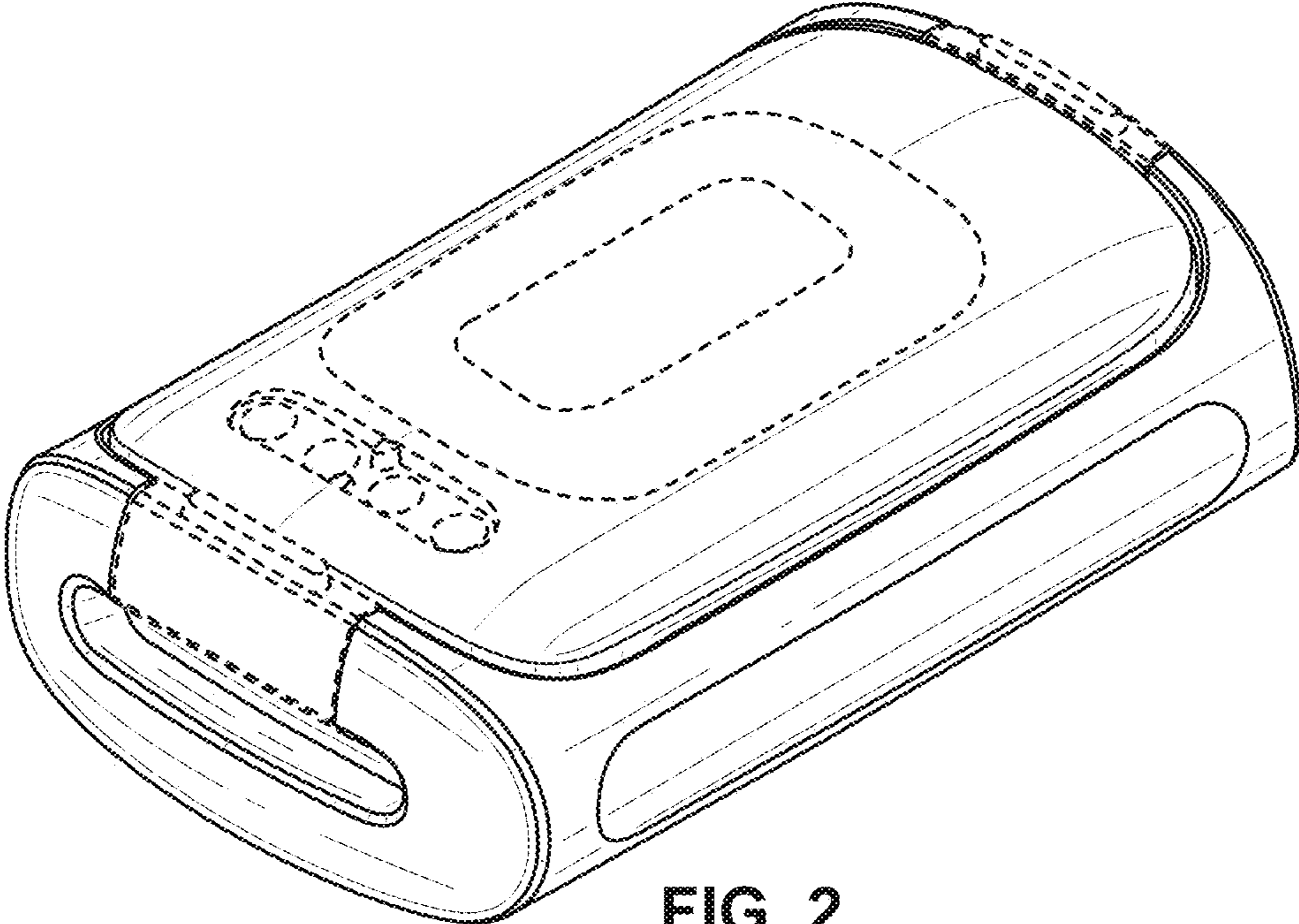


FIG. 2

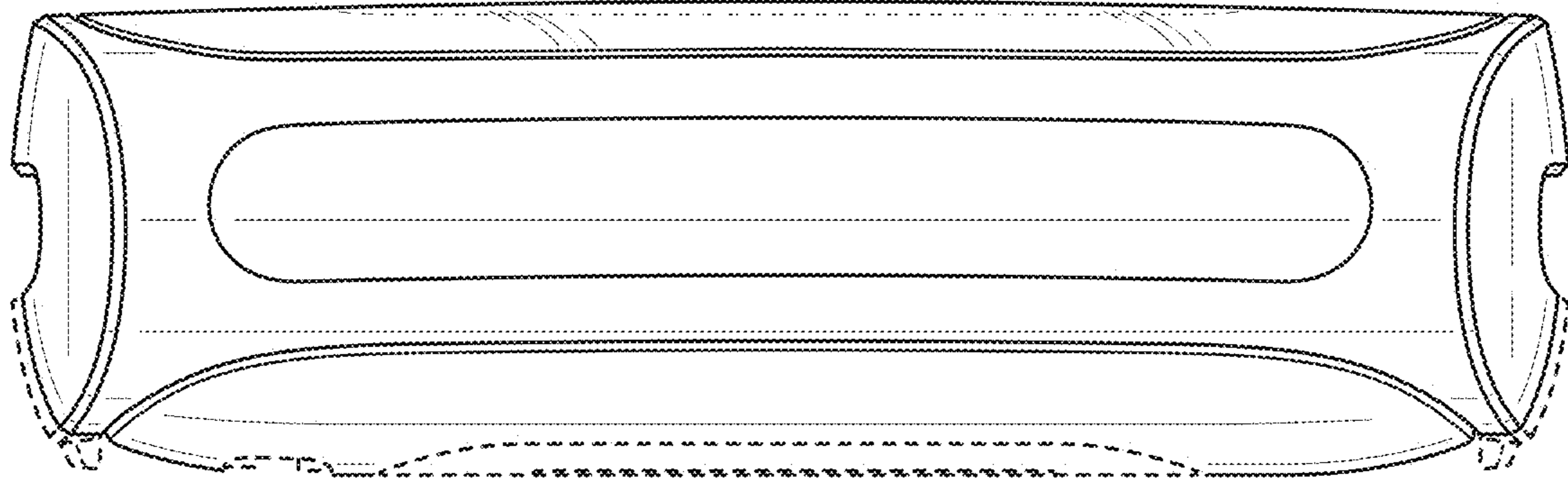


FIG. 3

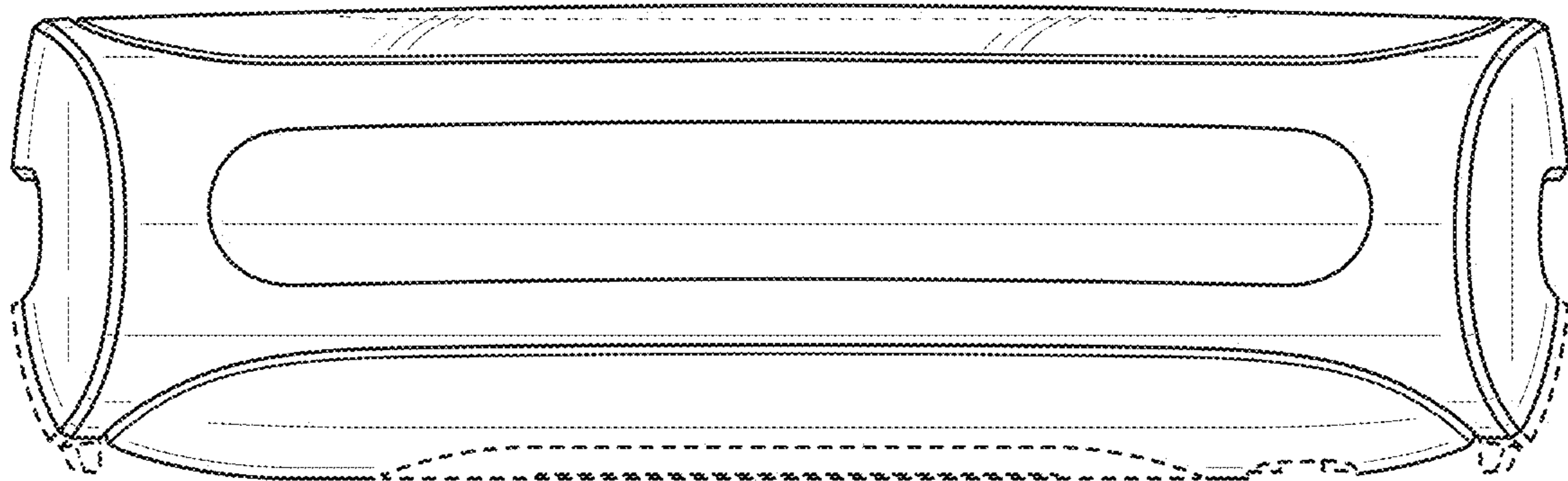


FIG. 4

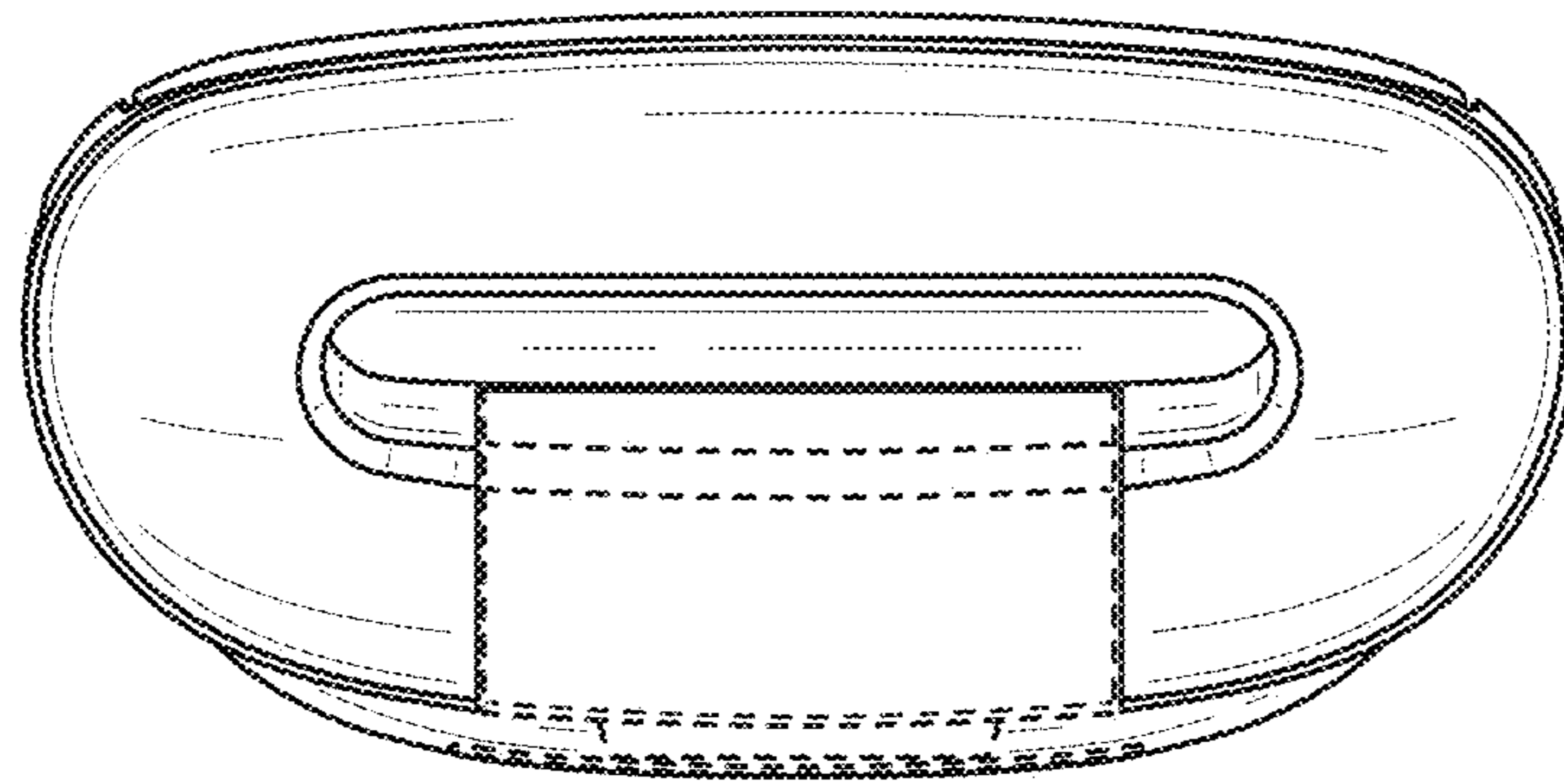


FIG. 5

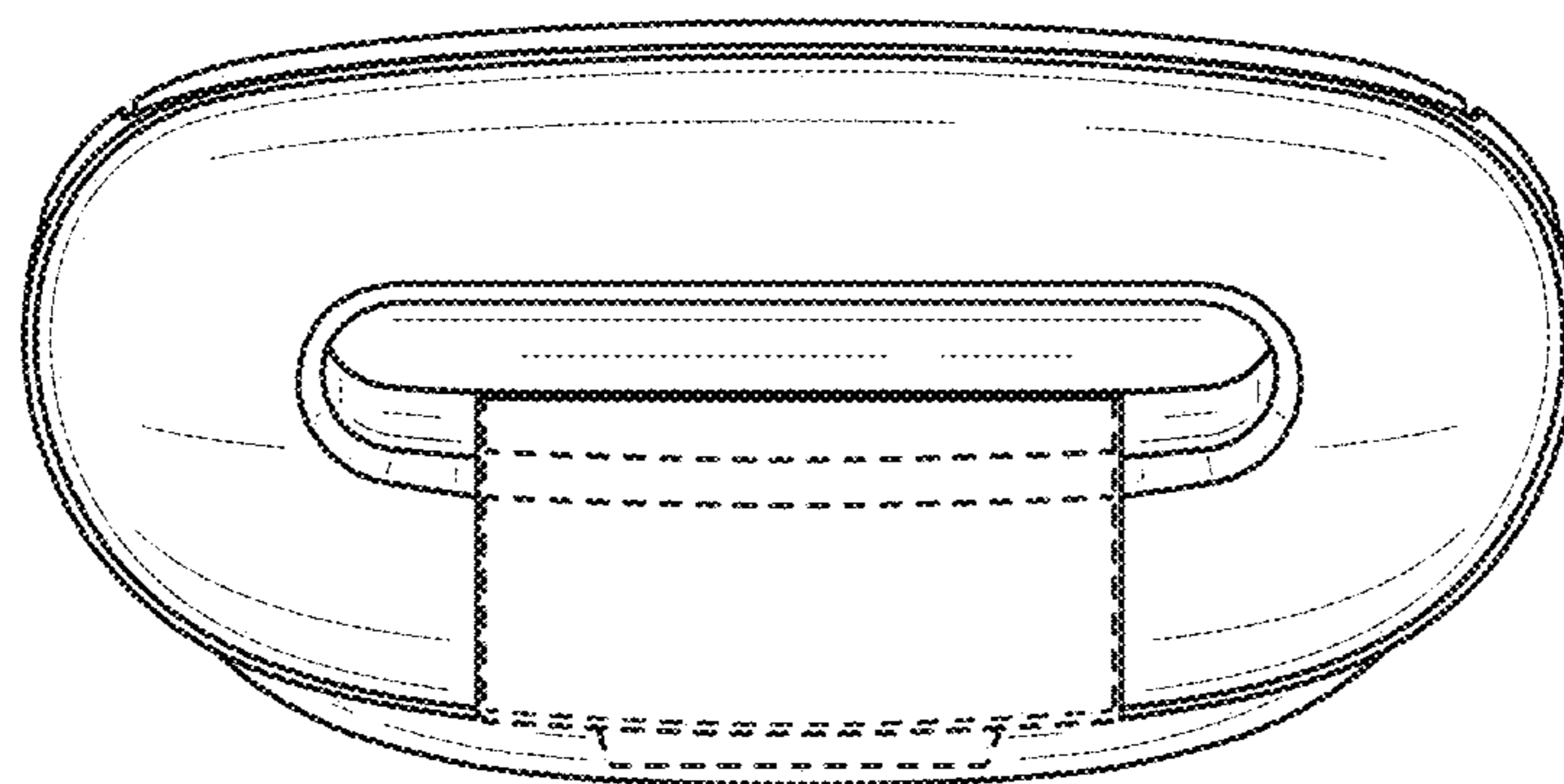


FIG. 6

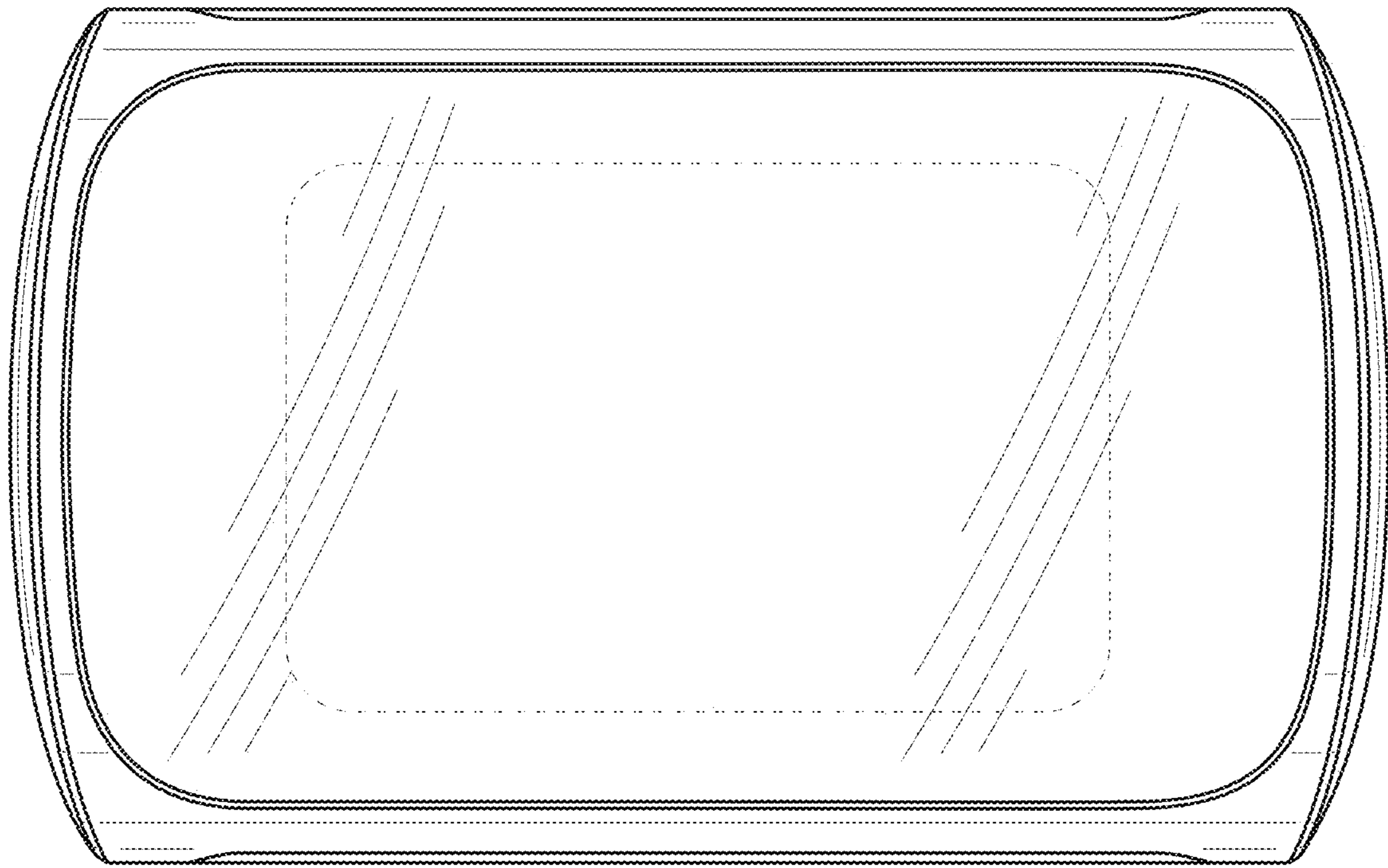


FIG. 7

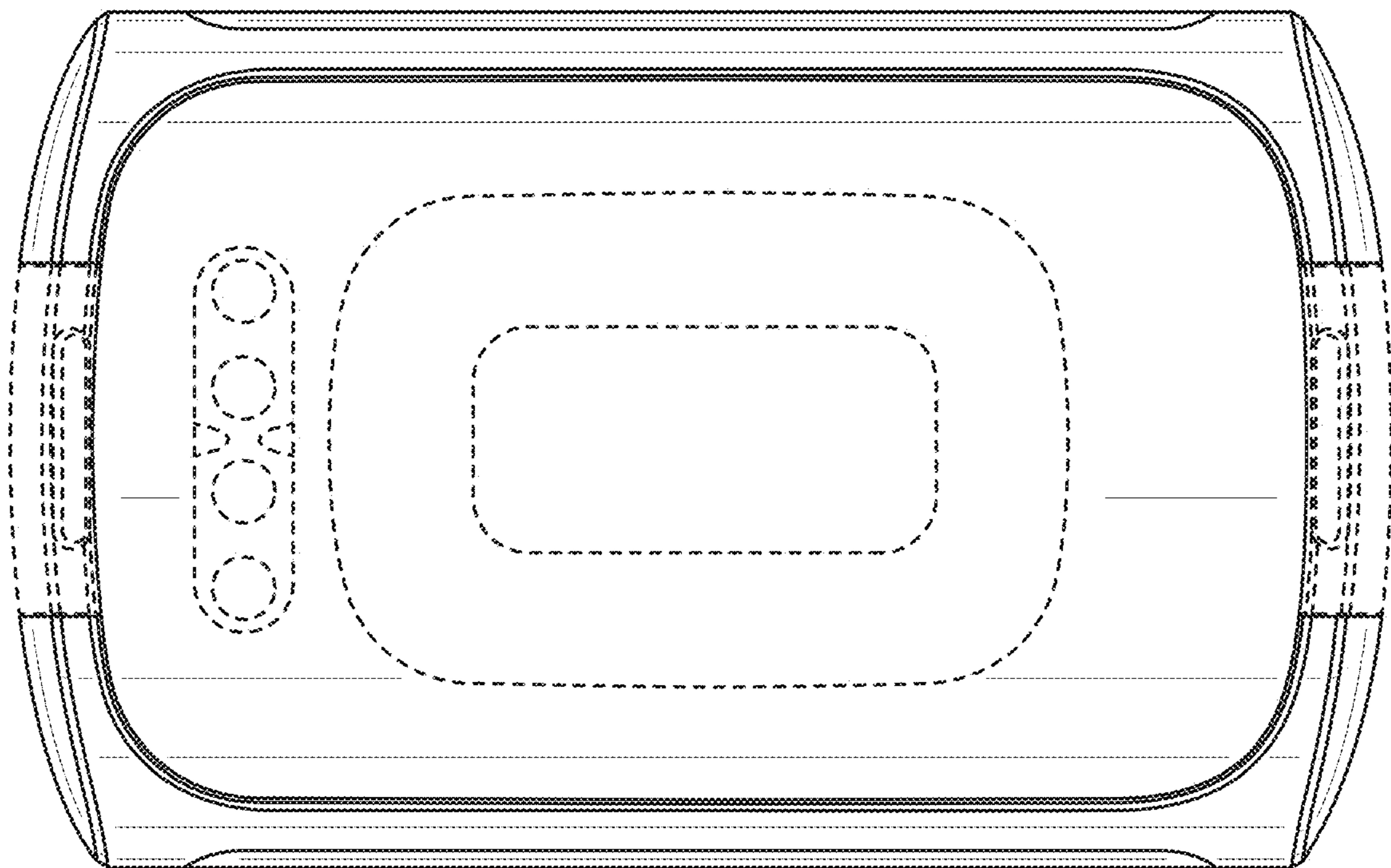


FIG. 8