



US00D973516S

(12) **United States Design Patent**
Zhao

(10) **Patent No.:** **US D973,516 S**

(45) **Date of Patent:** **** Dec. 27, 2022**

(54) **CLOCK**

(71) Applicant: **Shenzhen Juku Intelligent Technology Co., Ltd.**, Shenzhen (CN)

(72) Inventor: **Jiniqu Zhao**, Jinzhou (CN)

(73) Assignee: **Shenzhen Juku Intelligent Technology Co., Ltd.**, Shenzhen (CN)

(**) Term: **15 Years**

(21) Appl. No.: **29/754,755**

(22) Filed: **Oct. 14, 2020**

(30) **Foreign Application Priority Data**

Apr. 15, 2020 (CN) 202030150390.7

(51) **LOC (13) Cl.** **10-01**

(52) **U.S. Cl.**
USPC **D10/15; D10/22**

(58) **Field of Classification Search**
USPC D10/2, 4, 5, 15, 22, 40, 46, 50, 52, 53,
D10/78, 96, 101, 106.5; D6/309, 310,
D6/311

CPC G04G 13/02; G04G 9/0064; G04G 9/00;
G04G 17/08; G04G 21/02; G04G 9/0041;
G04G 9/0017; G04G 9/027; G04G 9/107;
G04G 17/00; G04G 9/045; G04G 9/105;
G04G 9/124

See application file for complete search history.

(56) **References Cited**

U.S. PATENT DOCUMENTS

D347,584 S * 6/1994 Vogelpohl D10/50
D351,797 S * 10/1994 White D10/15
D443,830 S * 6/2001 Young D10/2
D556,606 S * 12/2007 Stauffer G04F 1/005
D10/15

D588,483 S * 3/2009 Chu D10/96
D602,388 S * 10/2009 Killo D10/46
D660,732 S * 5/2012 Bould D10/50
D700,075 S * 2/2014 Bould D10/50
D724,958 S * 3/2015 Daniels D10/22
D725,524 S * 3/2015 Takach D10/50
D750,980 S * 3/2016 Takach G06F 3/04817
D10/50
D779,977 S * 2/2017 Jacob G01R 31/26
D10/50
D783,422 S * 4/2017 Kashimoto G01R 31/26
D10/50
D795,092 S * 8/2017 Trishaun D10/53
D802,462 S * 11/2017 Morneau D10/101
D803,073 S * 11/2017 Ji D10/53
D818,849 S * 5/2018 Copparstad D10/50
D819,460 S * 6/2018 Fadell G01R 31/26
D10/50

(Continued)

Primary Examiner — George D. Kirschbaum

Assistant Examiner — Lillian Windham

(74) *Attorney, Agent, or Firm* — Maier & Maier, PLLC

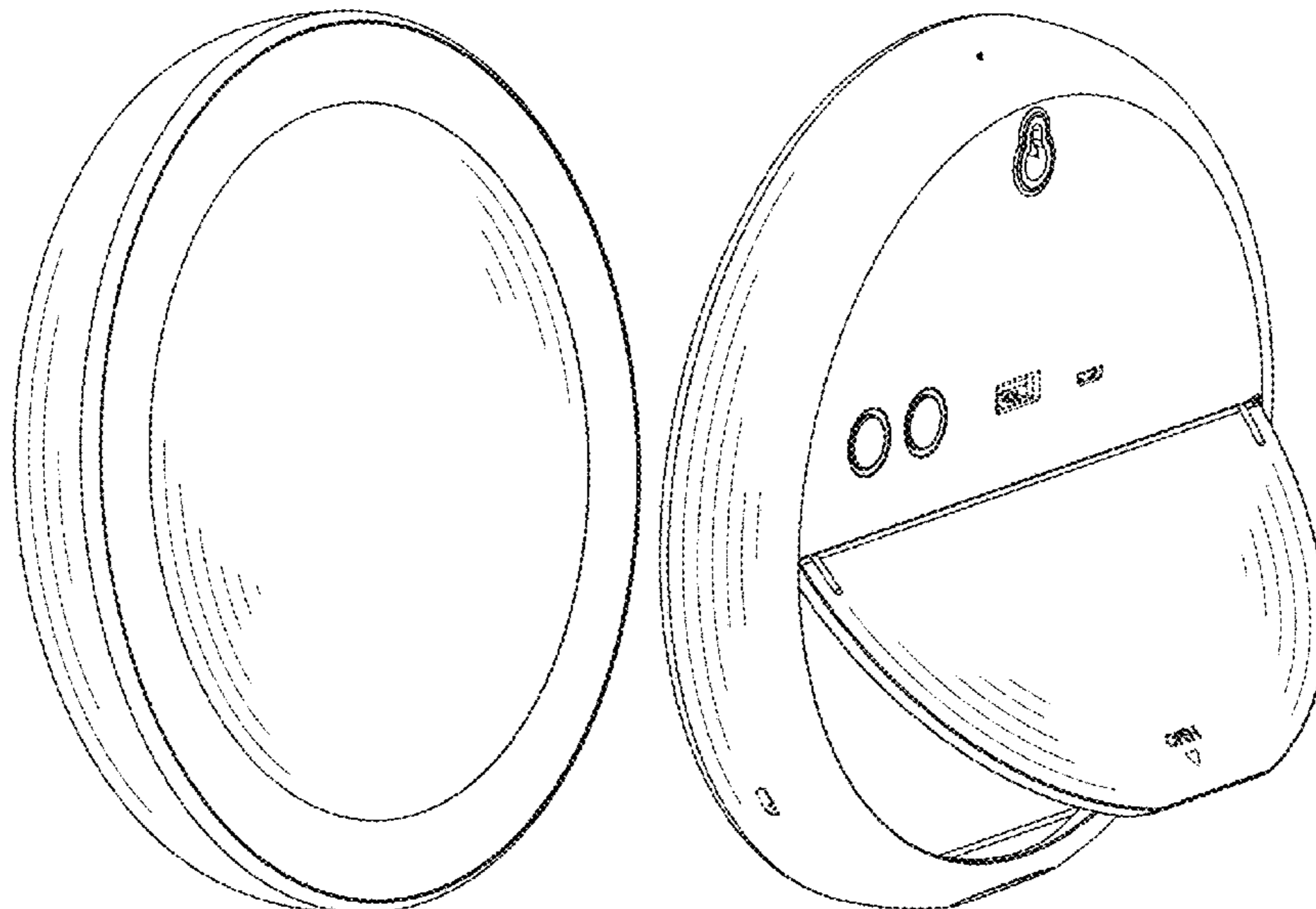
(57) **CLAIM**

The ornamental design for a clock, as shown and described.

DESCRIPTION

FIG. 1 is a front elevational view of a clock, showing my design;
FIG. 2 is a rear elevational view thereof;
FIG. 3 is a front perspective view thereof;
FIG. 4 is a rear perspective view thereof showing the clock in an alternate orientation;
FIG. 5 is a rear perspective view thereof;
FIG. 6 is a right side elevational view thereof;
FIG. 7 is a left side elevational view thereof;
FIG. 8 is a top plan view thereof; and,
FIG. 9 is a bottom plan view thereof.
The broken lines shown in the drawings form no part of the claimed design.

1 Claim, 9 Drawing Sheets



(56)

References Cited

U.S. PATENT DOCUMENTS

D821,890	S *	7/2018	Jin	G06F 3/04817 D10/2
D826,738	S *	8/2018	Liao	G06F 3/04817 D10/53
D827,456	S *	9/2018	Seum	D10/52
D843,238	S *	3/2019	Rose	D10/50
D848,158	S *	5/2019	Yang	D6/309
D850,939	S *	6/2019	Siminoff	D10/101
D884,494	S *	5/2020	Siminoff	D10/101
D885,208	S *	5/2020	Rose	D10/50
D891,962	S *	8/2020	Siminoff	D10/106.5
D899,107	S *	10/2020	Luo	D6/309
D907,516	S *	1/2021	Siminoff	D10/106.5
D908,510	S *	1/2021	Wu	D10/22
D911,191	S *	2/2021	Qi	D10/50
D913,819	S *	3/2021	Dempsey	D10/65
D927,863	S *	8/2021	Yang	D6/309
D932,198	S *	10/2021	Sze	D6/309
D948,354	S *	4/2022	Lee	G04F 1/005 D10/50
D953,755	S *	6/2022	Meng	G04F 1/005 D6/309
D959,297	S *	8/2022	Li	D10/40
2016/0086577	A1 *	3/2016	Broadbent	G06F 3/04817 345/690

* cited by examiner

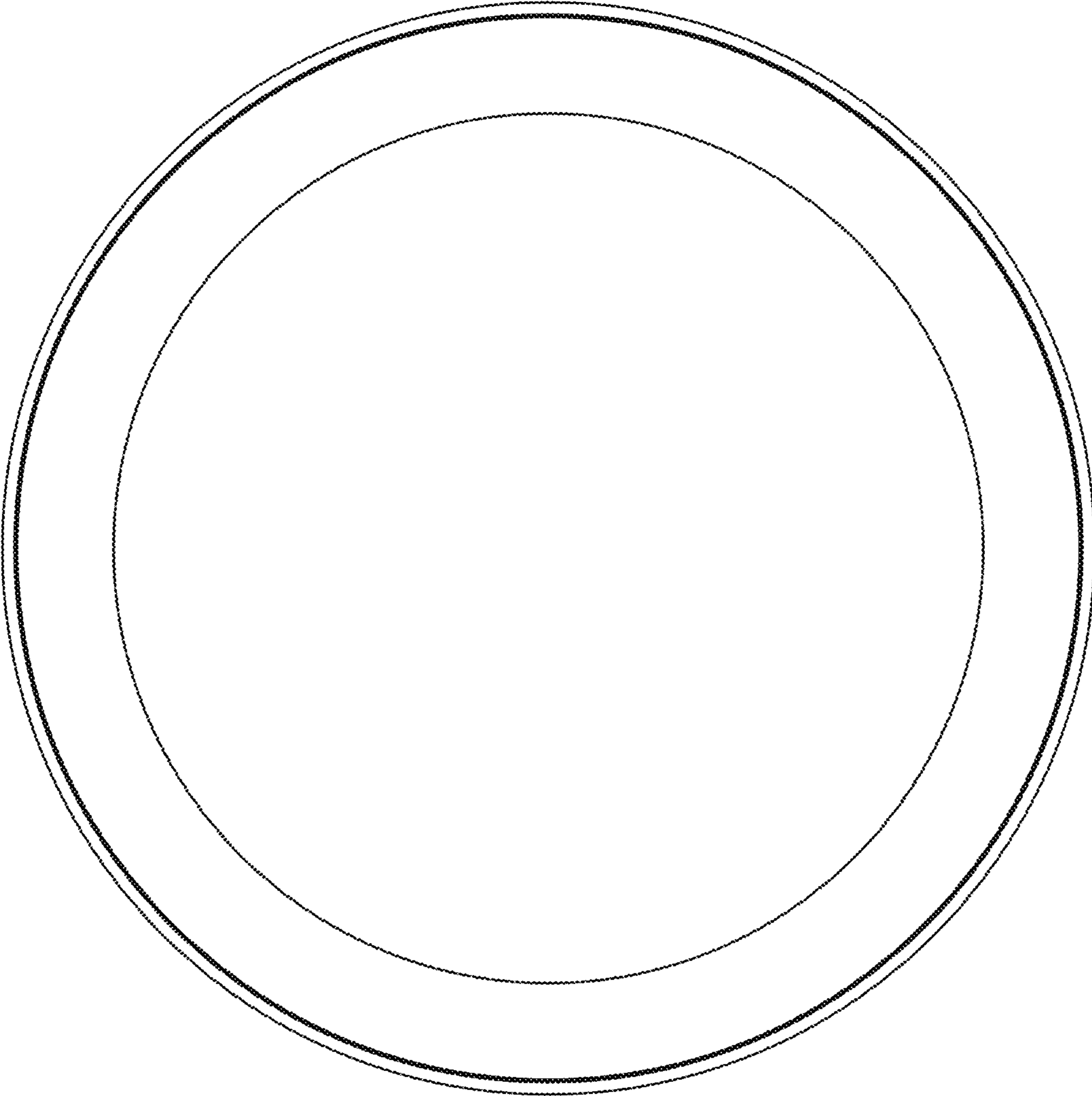


FIG. 1

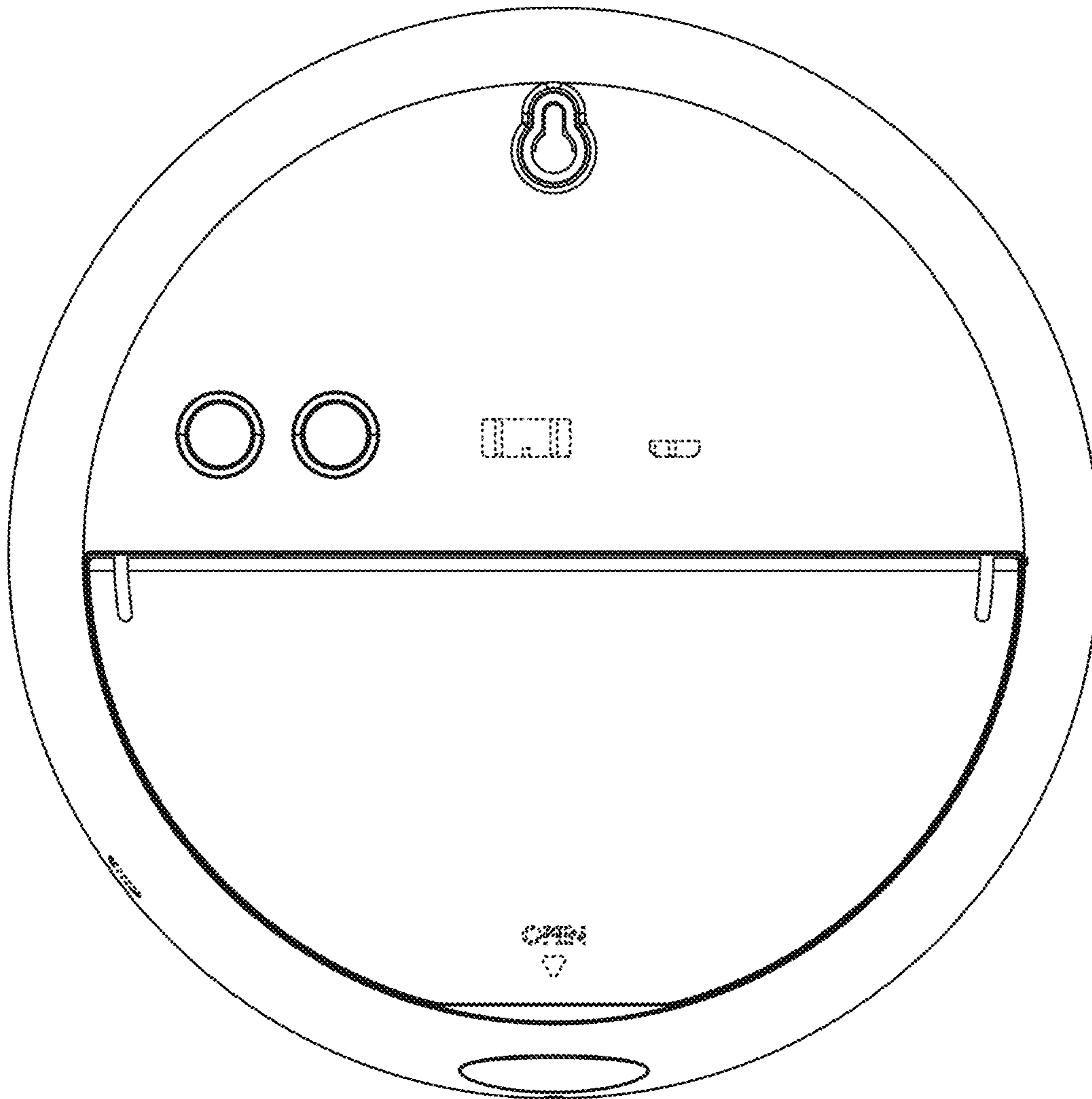


FIG. 2

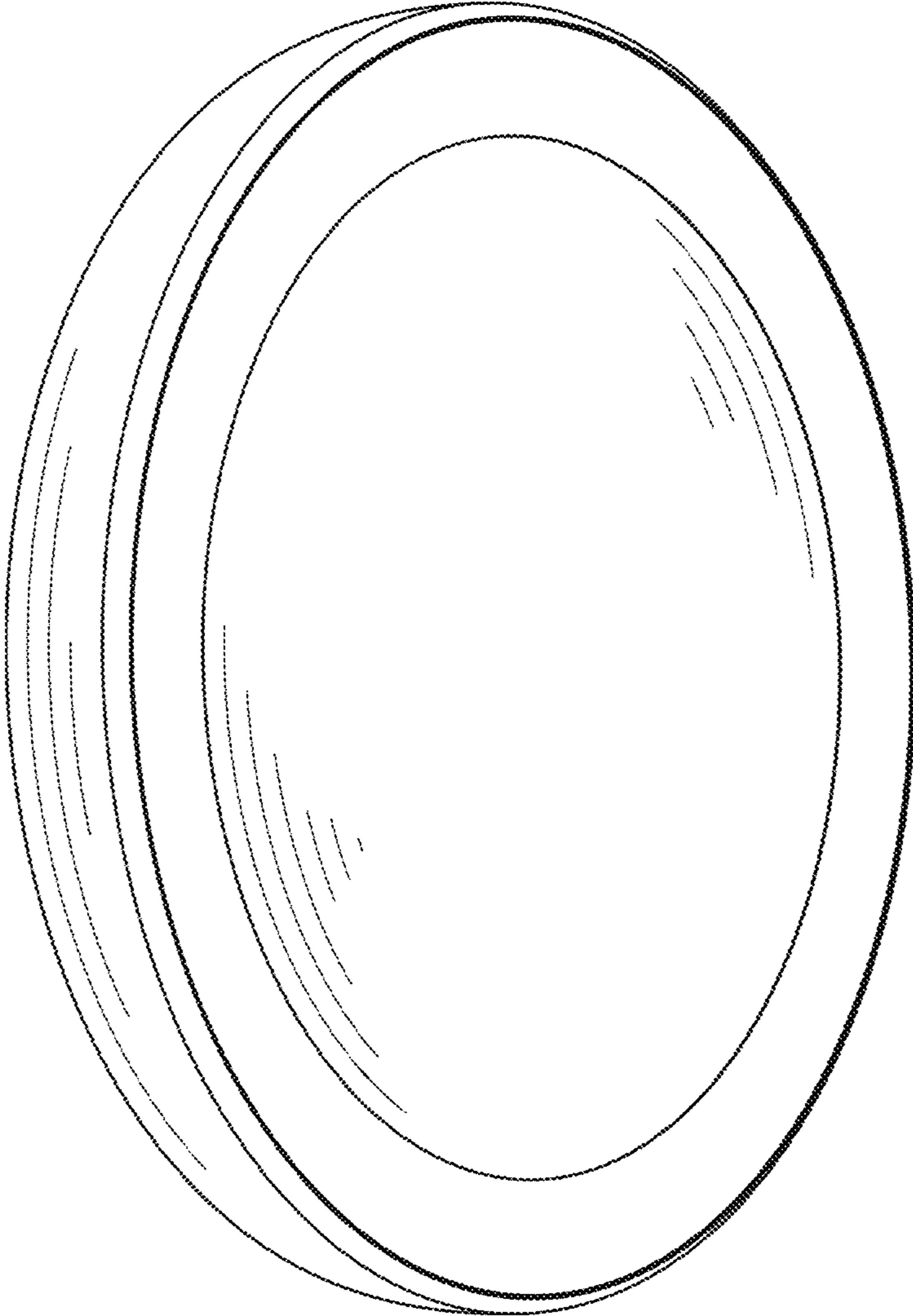


FIG. 3

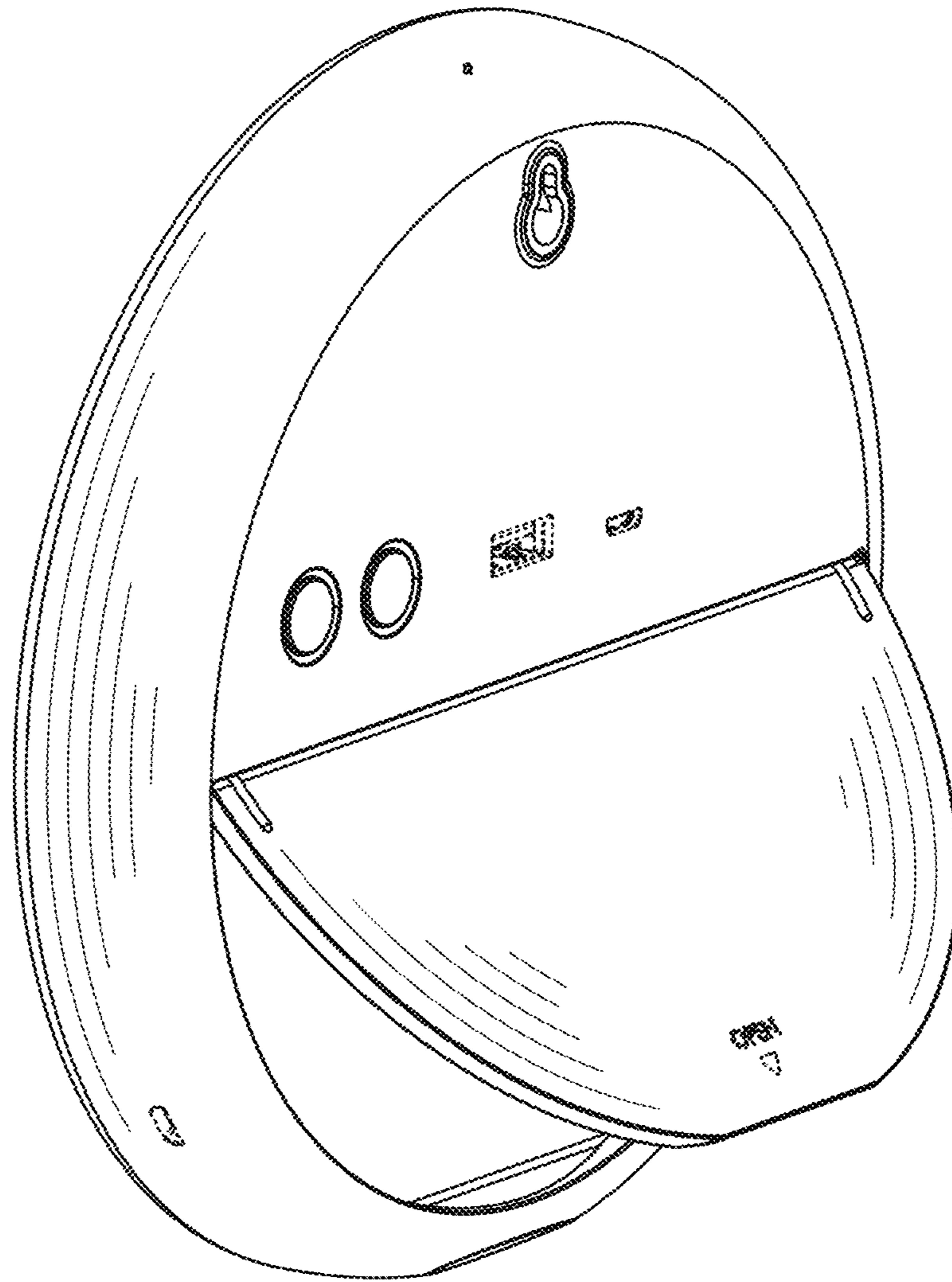


FIG. 4

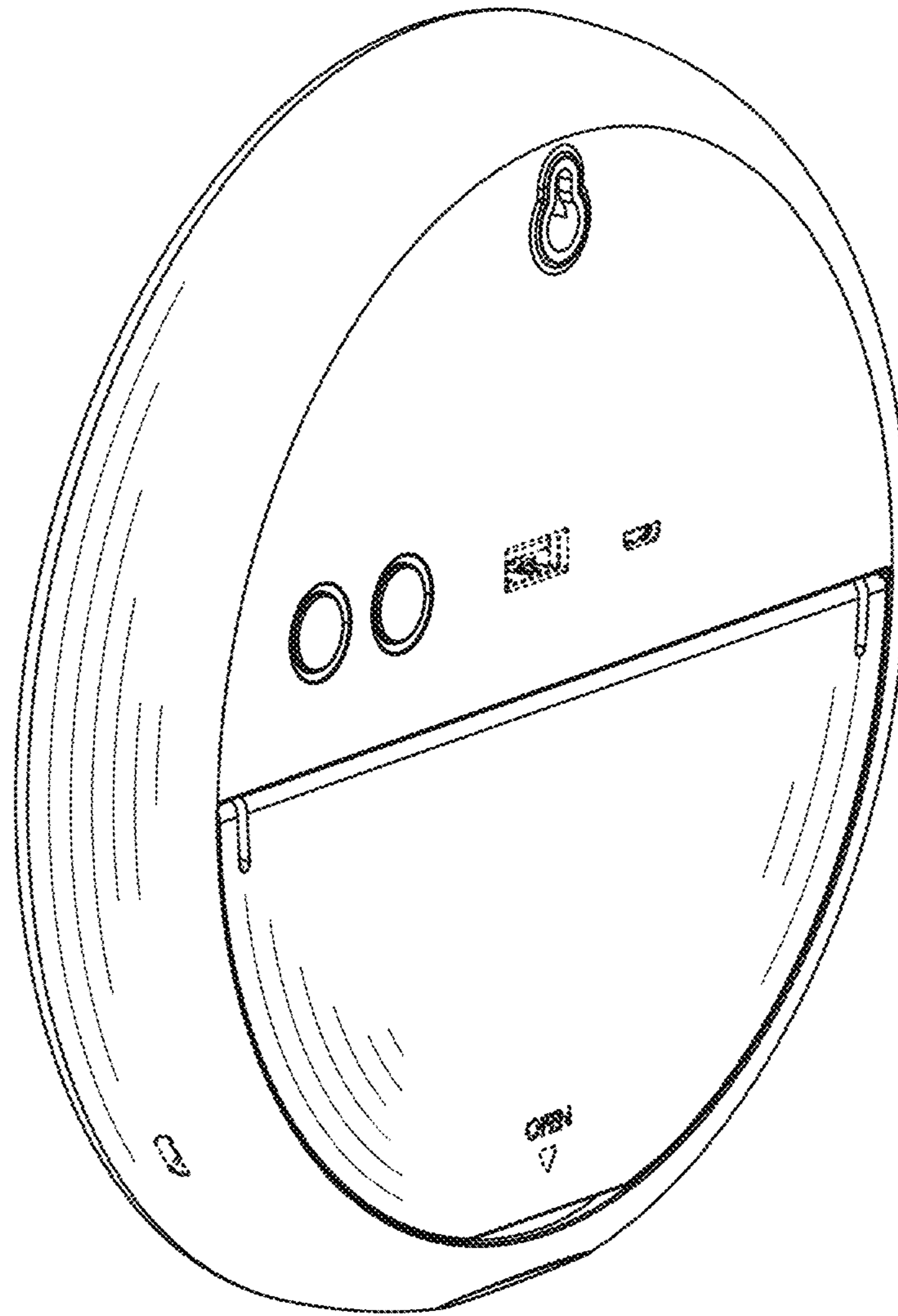


FIG. 5

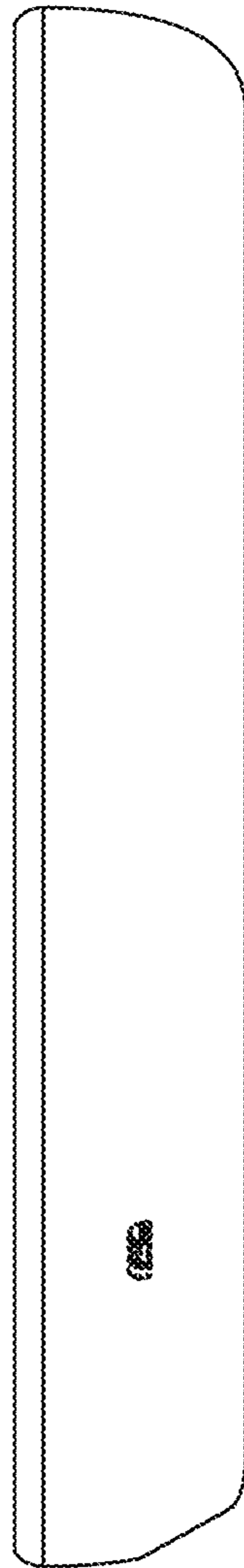


FIG. 6

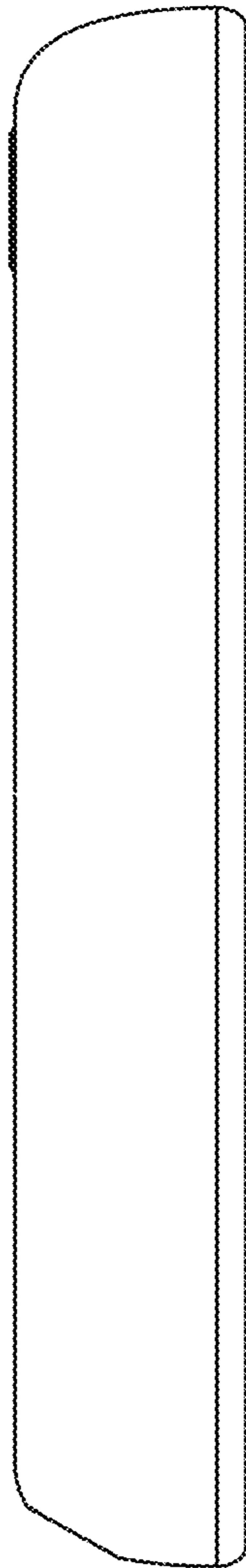


FIG. 7



FIG. 8

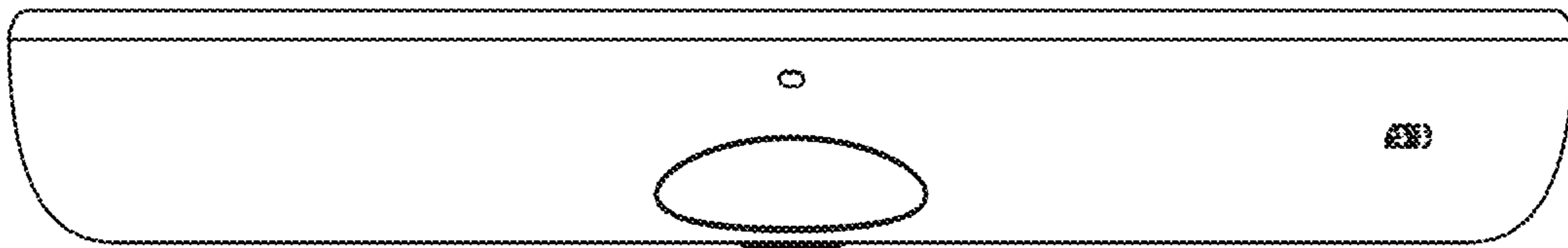


FIG. 9