



US00D973515S

(12) **United States Design Patent** (10) **Patent No.:** **US D973,515 S**  
**Akana et al.** (45) **Date of Patent:** **\*\* \*Dec. 27, 2022**

(54) **PRODUCT DISPLAY UNIT**

(22) Filed: **Sep. 6, 2019**

(71) Applicant: **Apple Inc.**, Cupertino, CA (US)

**Related U.S. Application Data**

(72) Inventors: **Jody Akana**, San Francisco, CA (US); **Molly Anderson**, San Francisco, CA (US); **Bartley K. Andre**, Palo Alto, CA (US); **Shota Aoyagi**, San Francisco, CA (US); **Anthony Michael Ashcroft**, San Francisco, CA (US); **Jeremy Bataillou**, San Francisco, CA (US); **Daniel J. Coster**, San Francisco, CA (US); **Daniele De Iuliis**, San Francisco, CA (US); **Liane Fang**, Redwood City, CA (US); **M. Evans Hankey**, San Francisco, CA (US); **Julian Hoenig**, San Francisco, CA (US); **Richard P. Howarth**, San Francisco, CA (US); **Jonathan P. Ive**, San Francisco, CA (US); **Duncan Robert Kerr**, San Francisco, CA (US); **Peter Russell-Clarke**, San Francisco, CA (US); **Charles A. Schwalbach**, Menlo Park, CA (US); **Benjamin Andrew Shaffer**, San Jose, CA (US); **Mikael Silvanto**, San Francisco, CA (US); **Christopher J. Stringer**, Woodside, CA (US); **Clement Tissandier**, San Francisco, CA (US); **Eugene Antony Whang**, San Francisco, CA (US); **Sheng Yang**, Mountain View, CA (US); **Rico Zörkendörfer**, San Francisco, CA (US)

(63) Continuation of application No. 29/574,392, filed on Aug. 15, 2016, now Pat. No. Des. 859,979, which is (Continued)

(51) **LOC (13) CI.** ..... **09-03**

(52) **U.S. CI.**  
USPC ..... **D9/749**; D9/721; D9/424; D3/313

(58) **Field of Classification Search**  
USPC ..... D3/313, 905; D6/517, 532, 552, 656.19, D6/677.4; D9/418, 424, 452, 455, 457, (Continued)

(56) **References Cited**

**U.S. PATENT DOCUMENTS**

3,736,088 A \* 5/1973 Jimenez ..... A21B 3/00  
118/506  
D247,647 S \* 3/1978 Huber ..... D7/553.3  
(Continued)

**FOREIGN PATENT DOCUMENTS**

DE M9802739-0005 11/1998  
DE M9802739-0006 11/1998  
DE M9802739-0007 11/1998

**OTHER PUBLICATIONS**

mDesign Plastic Toothbrush Holder, Storage Organizer Bin, Jul. 29, 2019, amazon.ca, Apr. 25, 2022, URL: <https://www.amazon.ca/mDesign-Plastic-Toothbrush-Organizer-Bathroom/dp/B07N3M6SH4/> (Year: 2019).\*

(Continued)

*Primary Examiner* — Keith J Wilson

(74) *Attorney, Agent, or Firm* — Sterne, Kessler, Goldstein & Fox P.L.L.C.

(73) Assignee: **Apple Inc.**, Cupertino, CA (US)

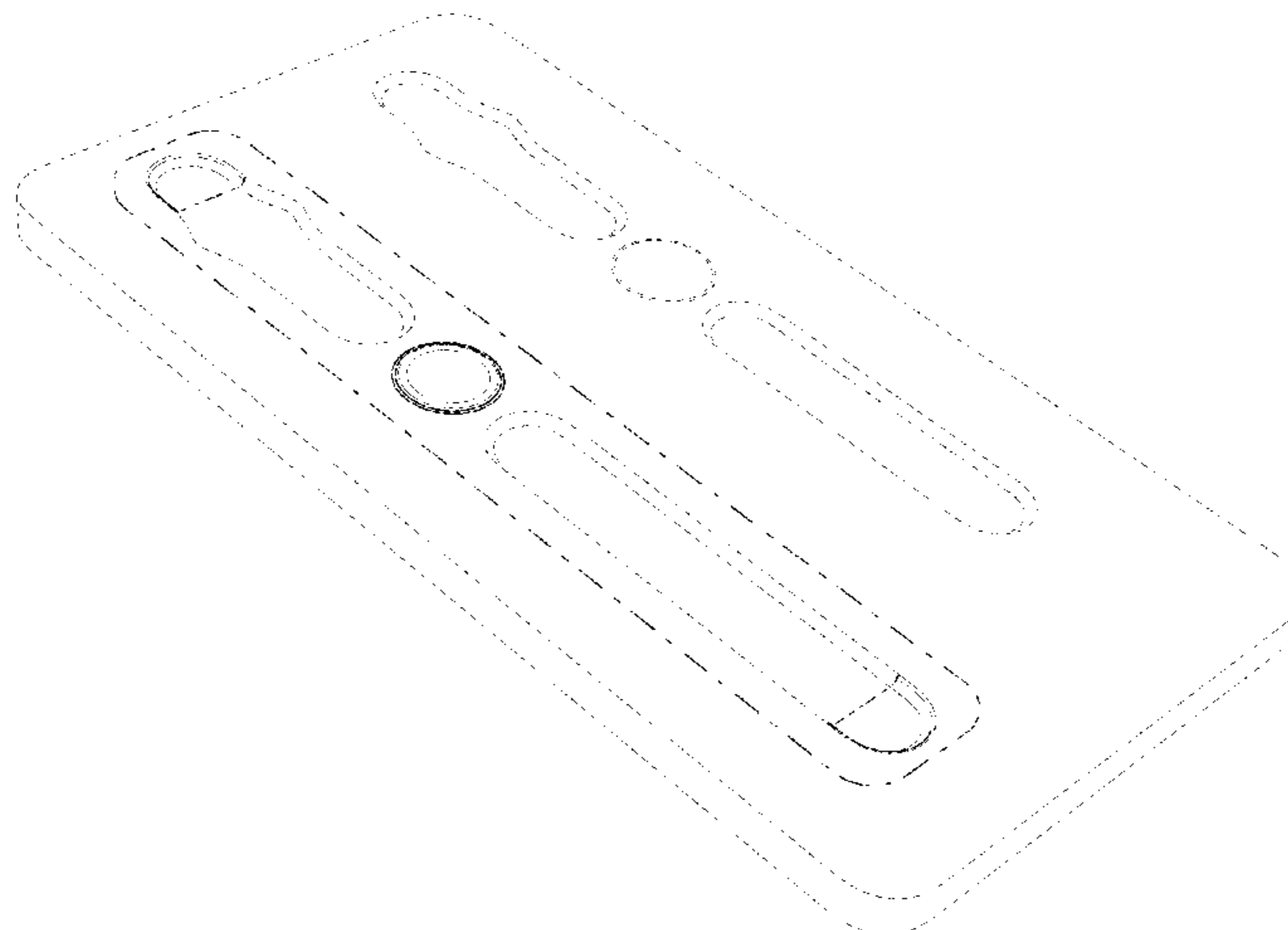
(\*) Notice: This patent is subject to a terminal disclaimer.

(\*\*) Term: **15 Years**

(57) **CLAIM**

The ornamental design for a product display unit, as shown and described.

(21) Appl. No.: **29/704,807**



**DESCRIPTION**

FIG. 1 is a bottom front perspective view of a product display unit showing the claimed design;  
 FIG. 2 is a right side view thereof;  
 FIG. 3 is a left side view thereof;  
 FIG. 4 is a top view thereof;  
 FIG. 5 is a bottom view thereof;  
 FIG. 6 is a front view thereof;  
 FIG. 7 is a rear view thereof; and,  
 FIG. 8 is a front view of the product display unit in an environment in which it may be used.  
 The dashed broken lines in the figures show portions of the product display unit and environment that form no part of the claimed design.  
 The dot-dash broken lines in the figures show boundaries that form no part of the claimed design.

**1 Claim, 6 Drawing Sheets**

**Related U.S. Application Data**

a continuation of application No. 29/539,248, filed on Sep. 11, 2015, now Pat. No. Des. 793,856.

(58) **Field of Classification Search**

USPC ..... D9/671, 736, 749, 755, 759; D7/553.2, D7/624  
 CPC ..... B26B 29/06; B65D 1/36; A61B 50/33  
 See application file for complete search history.

(56) **References Cited**

**U.S. PATENT DOCUMENTS**

D264,168 S 5/1982 Teuber et al.  
 D295,992 S \* 5/1988 Lothe ..... D19/85  
 4,825,550 A 5/1989 Pace  
 D324,651 S 3/1992 Kaneko  
 D331,191 S \* 11/1992 Ventola ..... D9/737  
 D331,942 S \* 12/1992 Kirchner ..... D19/78  
 D381,515 S \* 7/1997 Haynes ..... D24/227  
 D393,543 S 4/1998 Wilkening et al.  
 D457,371 S 5/2002 Grassman  
 D506,744 S 6/2005 Andre et al.  
 D558,572 S 1/2008 Andre et al.  
 D580,752 S 11/2008 Andre et al.  
 D582,267 S 12/2008 Andre et al.  
 D584,142 S 1/2009 Andre et al.  
 D601,884 S 10/2009 Andre et al.  
 D616,738 S 6/2010 Andre et al.  
 D616,741 S 6/2010 Andre et al.  
 D621,256 S 8/2010 Andre et al.  
 D634,541 S 3/2011 Guitierrez  
 D638,297 S 5/2011 Gelardi et al.  
 D639,162 S \* 6/2011 Gelardi ..... D9/455  
 D658,492 S 5/2012 Akana et al.  
 D658,992 S \* 5/2012 Kemner ..... D9/732  
 D659,530 S 5/2012 Akana et al.  
 D660,723 S 5/2012 Akana et al.  
 D668,143 S 10/2012 Akana et al.  
 D677,563 S 3/2013 Andre et al.  
 D685,654 S 7/2013 Akana et al.  
 D690,164 S \* 9/2013 Lock ..... D7/553.2

D695,632 S 12/2013 Akana et al.  
 D702,547 S 3/2014 Akana et al.  
 D704,072 S 5/2014 Akana et al.  
 D704,073 S 5/2014 Akana et al.  
 D706,643 S 6/2014 Akana et al.  
 D712,279 S 9/2014 Akana et al.  
 D712,748 S 9/2014 Akana et al.  
 D713,738 S 9/2014 Akana et al.  
 D713,739 S 9/2014 Akana et al.  
 D713,740 S 9/2014 Akana et al.  
 D728,941 S 5/2015 Stoeckmann  
 D735,131 S 7/2015 Akana et al.  
 D736,013 S \* 8/2015 Williams ..... D6/675  
 D736,618 S 8/2015 Andre et al.  
 D737,157 S 8/2015 Akana et al.  
 D744,855 S 12/2015 Akana et al.  
 D746,637 S \* 1/2016 Mairinger ..... D7/553.2  
 9,393,075 B2 \* 7/2016 Ghosh ..... A61B 46/10  
 D764,285 S 8/2016 Akana et al.  
 D764,910 S 8/2016 Akana et al.  
 D778,161 S 2/2017 Anderson et al.  
 D782,327 S 3/2017 Akana et al.  
 D791,585 S \* 7/2017 Stronski ..... D9/415  
 D793,856 S 8/2017 Akana et al.  
 D826,714 S \* 8/2018 Pipes ..... D9/456  
 D830,169 S 10/2018 Akana et al.  
 D832,103 S 10/2018 Anderson et al.  
 D836,991 S \* 1/2019 Wansink ..... D7/553.5  
 D840,249 S \* 2/2019 Payne ..... D9/760  
 D859,979 S 9/2019 Akana et al.  
 D920,742 S \* 6/2021 Paine ..... D7/553.2  
 D927,953 S \* 8/2021 Myerson ..... D8/71  
 D931,213 S \* 9/2021 Heroux ..... D13/119  
 D941,096 S \* 1/2022 Han ..... D7/553.2  
 D941,925 S \* 1/2022 Peeters ..... D21/336  
 D945,192 S \* 3/2022 Gady ..... D6/682.1  
 D947,203 S \* 3/2022 Li ..... D14/451  
 D949,007 S \* 4/2022 Albert ..... D9/418  
 D954,564 S \* 6/2022 Kim ..... D24/114  
 D957,271 S \* 7/2022 Saleh ..... D10/46.3  
 D959,836 S \* 8/2022 Tang ..... D3/313  
 D960,719 S \* 8/2022 Meech ..... D9/749  
 D961,376 S \* 8/2022 Cook ..... D9/737  
 2008/0035643 A1 \* 2/2008 Hoffman ..... B65D 83/04  
 220/345.4  
 2009/0242454 A1 10/2009 Musse  
 2014/0197067 A1 \* 7/2014 Veltrop ..... B65D 1/36  
 206/564  
 2017/0165022 A1 \* 6/2017 Dam-Huisman ..... A61J 1/00

**OTHER PUBLICATIONS**

Watch Tool Watch Back Case Cover Opener Oyster Key Repair Tool Set, Oct. 30, 2019, amazon.ca, Apr. 25, 2022, URL: <https://www.amazon.ca/TMISHION-Watch-Back-Cover-Opener/dp/B07K5BGVZD/> (Year: 2019).\*

ECOART Silicone Sponge Holder Tray, May 8, 2019, amazon.ca, Apr. 25, 2022, URL: <https://www.amazon.ca/dp/B07RK4G4LH/> (Year: 2019).\*

Luxury Wooden Ballpoint Pen Gift Set with Business Pen Case Display, May 24, 2018, amazon.ca, Apr. 25, 2022, URL: <https://www.amazon.ca/Ballpoint-Business-Display-Writing-Refills/dp/B07C6T4HQ1/> (Year: 2018).\*

3 Pcs Wooden Pens Set with Pen Gift Case/Best Writing Fountain Pen, Nov. 15, 2017, amazon.ca, Apr. 25, 2022, URL: <https://www.amazon.ca/Wooden-Writing-Fountain-Ballpoint-Refills/dp/B07771NCMZ/> (Year: 2017).\*

\* cited by examiner

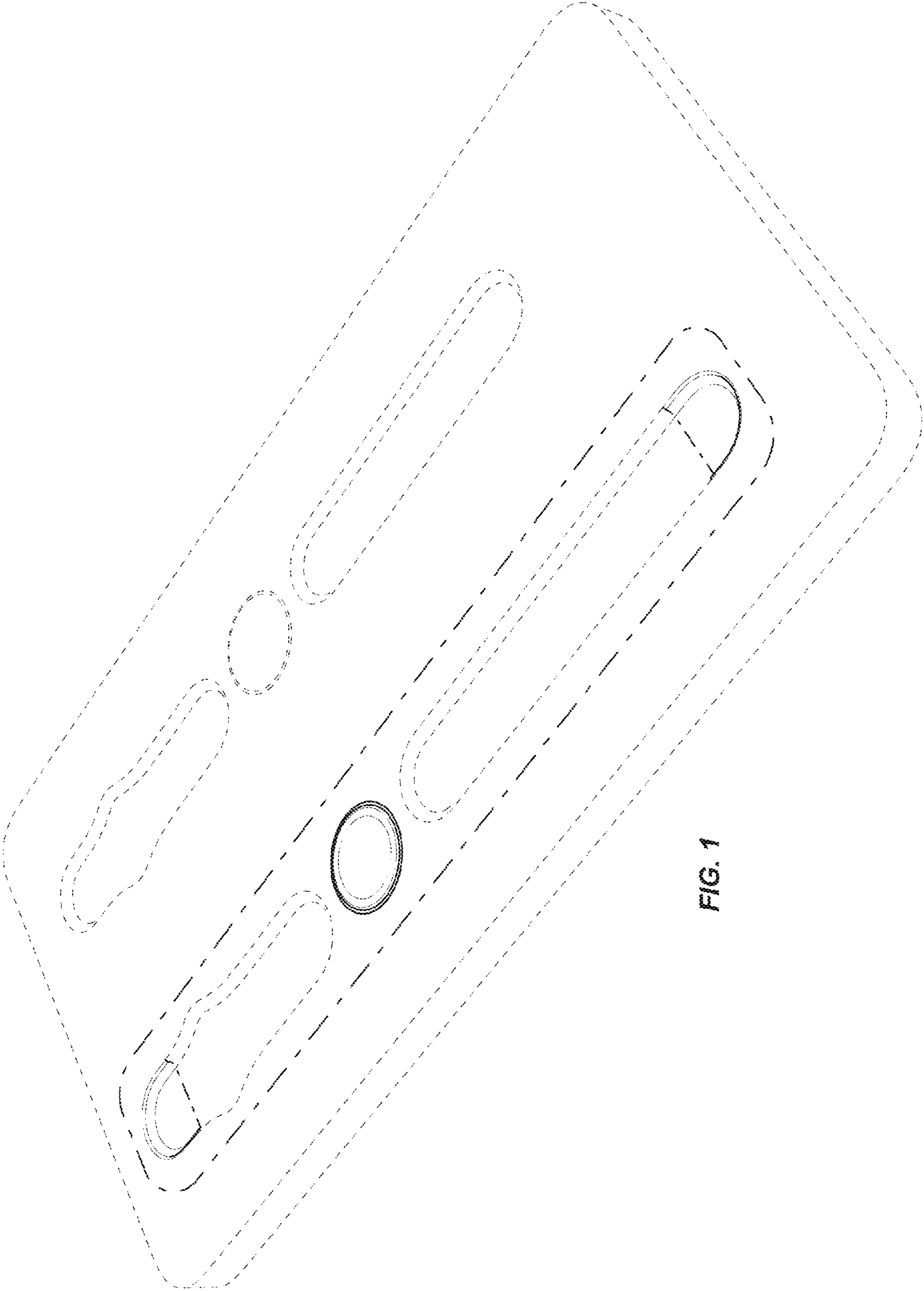


FIG. 1

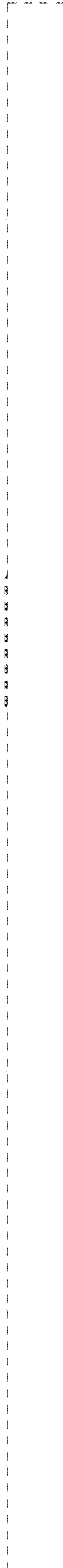


FIG. 2

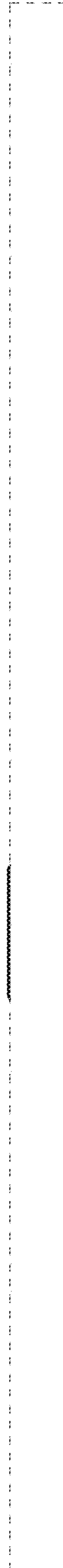


FIG. 3

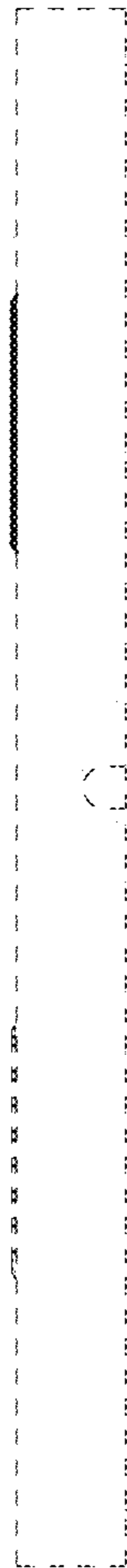


FIG. 4

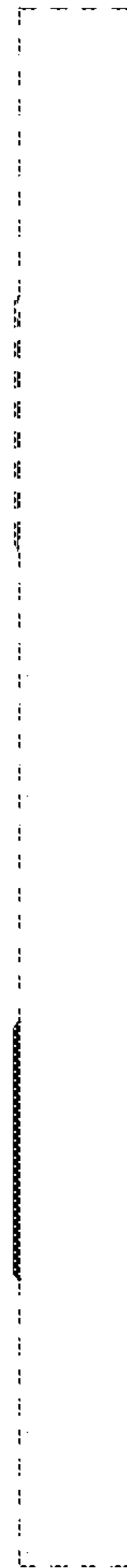


FIG. 5

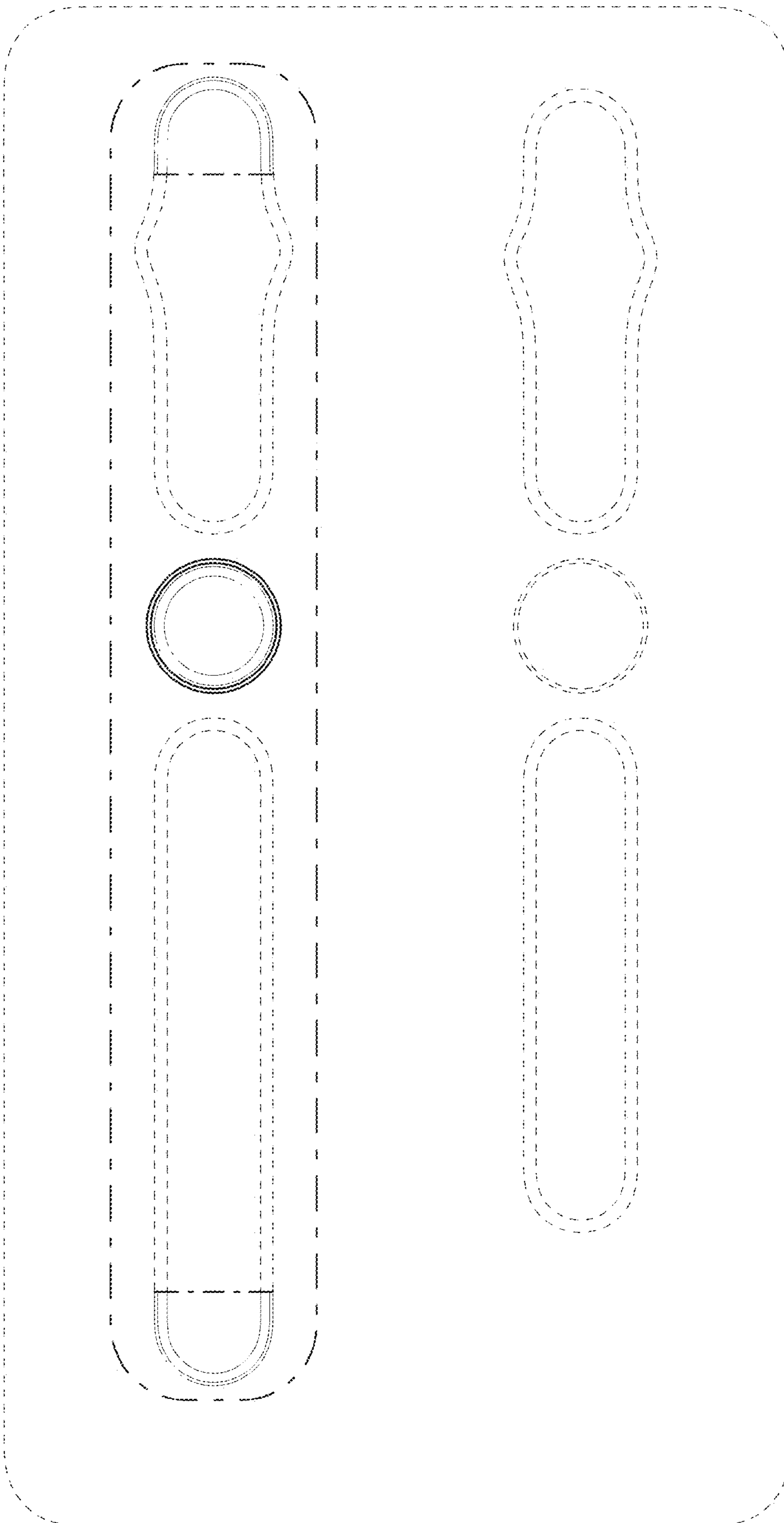


FIG. 6

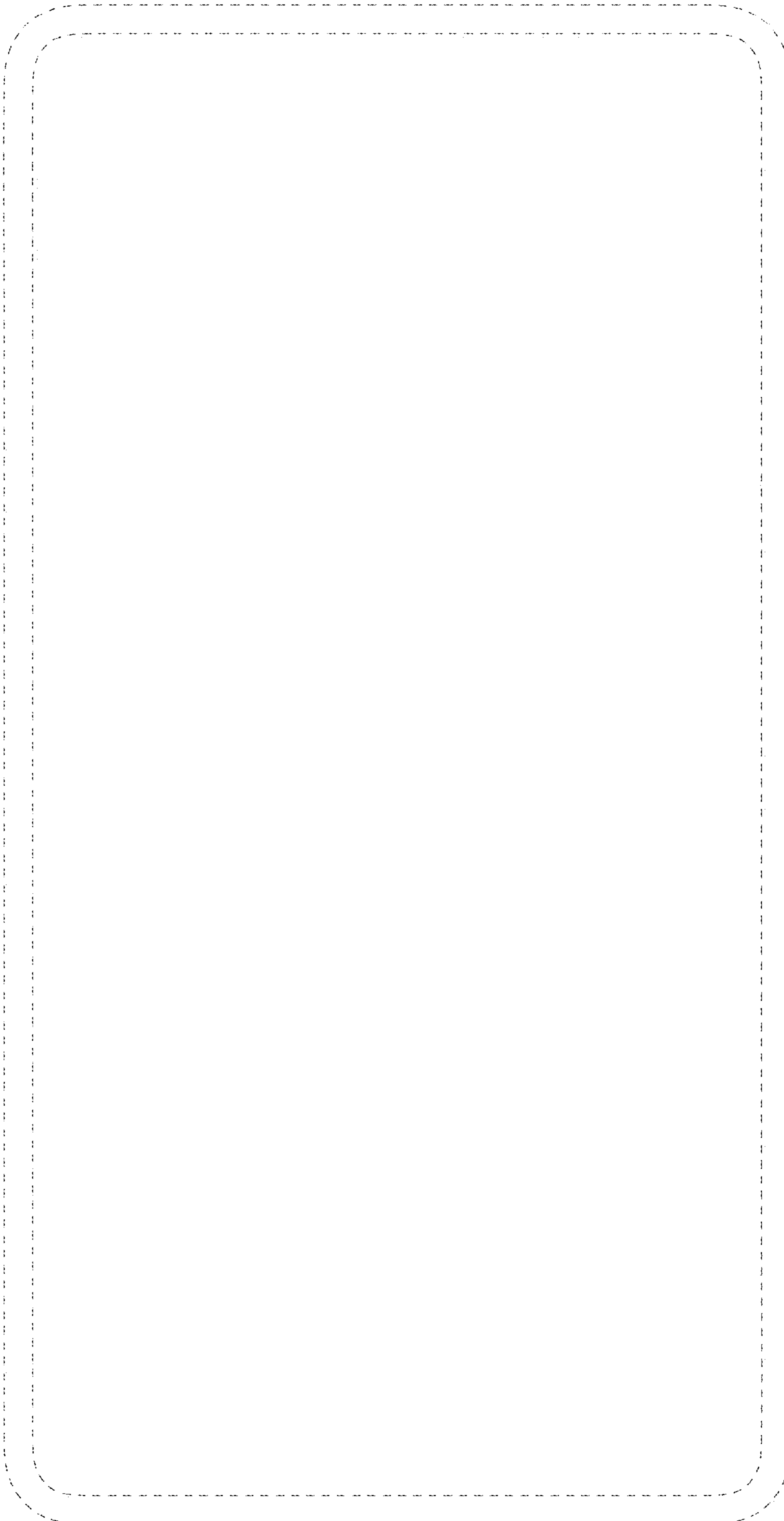


FIG. 7

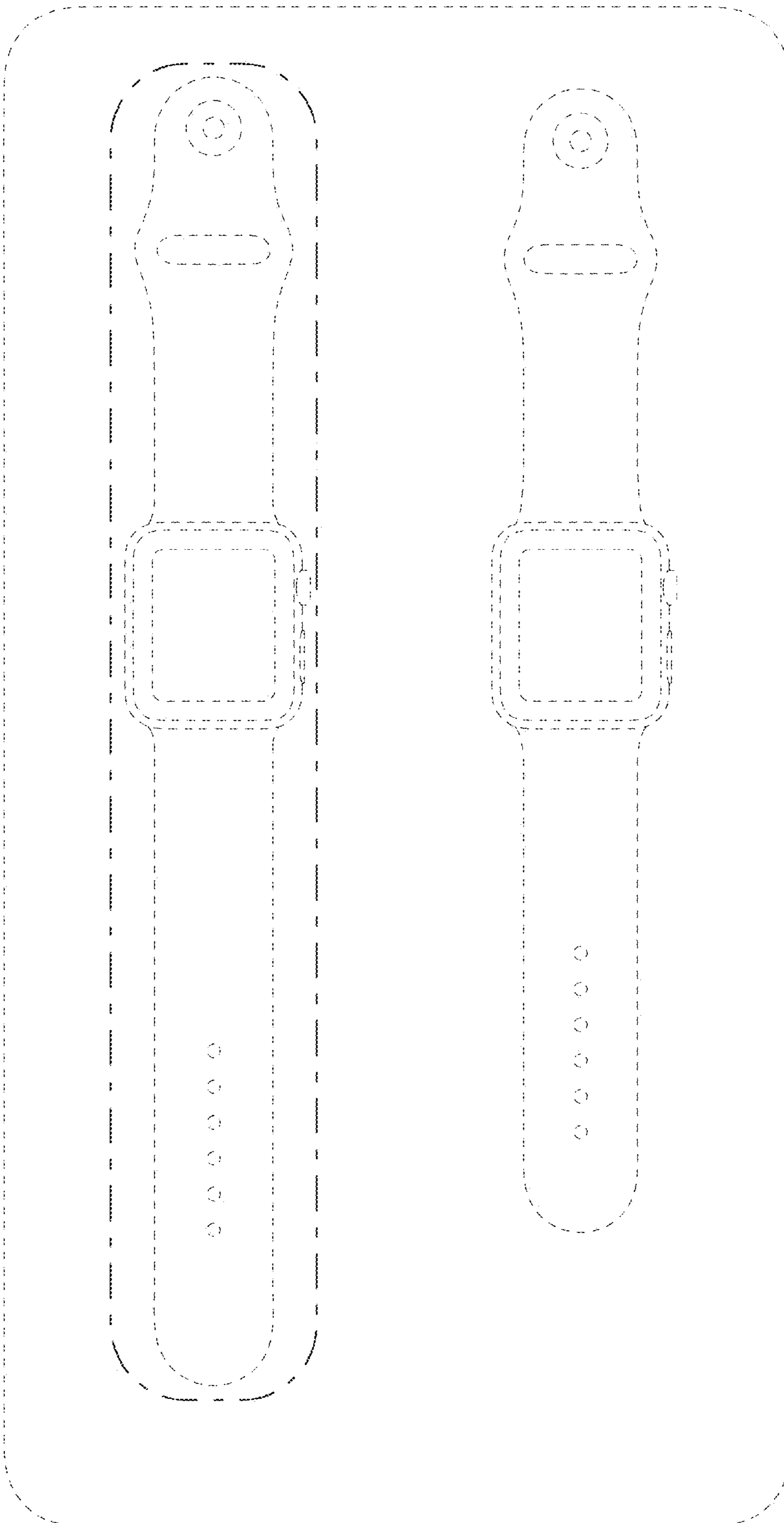


FIG. 8