



US00D973514S

(12) **United States Design Patent**  
**Faktorovich**

(10) **Patent No.:** **US D973,514 S**

(45) **Date of Patent:** **\*\* Dec. 27, 2022**

(54) **DERMAPLANING CARTRIDGE DISPENSER**

4,742,909 A \* 5/1988 Apprille, Jr. .... B65D 83/10  
30/40.2

(71) Applicant: **Edgewell Personal Care Brands, LLC**, Chesterfield, MO (US)

D353,764 S \* 12/1994 Ho ..... D9/736  
D366,611 S \* 1/1996 Poisson ..... D9/736  
8,584,848 B1 \* 11/2013 Lee ..... B65D 83/10  
30/40

(72) Inventor: **Dmitriy Faktorovich**, Oakland, NJ (US)

D907,512 S \* 1/2021 Szymanski ..... D9/749  
2013/0108523 A1 \* 5/2013 Tawfik ..... G01N 1/36  
422/551

(73) Assignee: **EDGEWELL PERSONAL CARE BRANDS, LLC**, Chesterfield, MO (US)

2017/0042568 A1 \* 2/2017 Levy ..... A45D 26/00

(\*\*) Term: **15 Years**

**FOREIGN PATENT DOCUMENTS**

(21) Appl. No.: **29/770,805**

GB 2148174 A 5/1985

(22) Filed: **Feb. 17, 2021**

\* cited by examiner

(51) **LOC (13) Cl.** ..... **09-03**

*Primary Examiner* — Lauren R Calve

(52) **U.S. Cl.**  
USPC ..... **D9/735**; D9/749

(57) **CLAIM**

(58) **Field of Classification Search**  
USPC ..... D9/735, 736, 737, 748, 749; D6/512,  
D6/526; D3/201, 205; D28/47, 54  
CPC ..... B65D 73/0064; B65D 73/0014;  
B65D 77/26; B65D 85/1081; B65D  
5/5016; B65D 71/70; B65D 25/106;  
B65D 25/22; B26B 21/40; B26B 21/36;  
B26B 19/3853; B26B 19/14; B26B 19/38;  
B26B 19/382; B26B 19/3813  
See application file for complete search history.

I claim the ornamental design for a dermaplaning cartridge dispenser, as shown and described.

**DESCRIPTION**

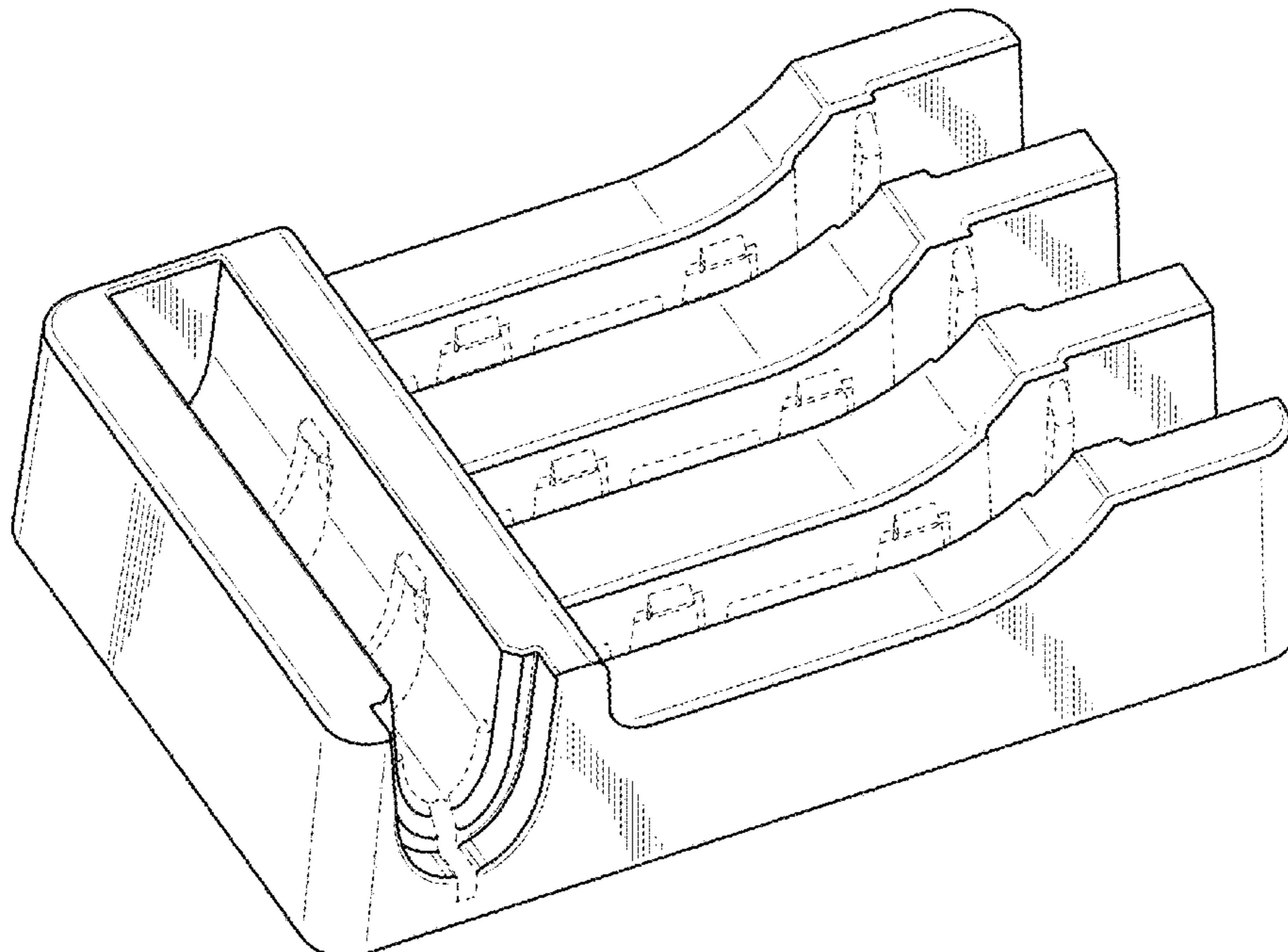
(56) **References Cited**

**U.S. PATENT DOCUMENTS**

3,606,006 A \* 9/1971 Raybois ..... B65D 85/42  
206/561  
D226,553 S \* 3/1973 Glaberson ..... D9/736  
4,106,620 A \* 8/1978 Brimmer ..... B65D 83/08  
206/359

FIG. 1 is an upper perspective view of a dermaplaning cartridge dispenser.  
FIG. 2 is a lower perspective view thereof.  
FIG. 3 is a bottom view thereof  
FIG. 4 is a top view thereof.  
FIG. 5 is a front view thereof.  
FIG. 6 is a rear view thereof.  
FIG. 7 is a side view thereof; and,  
FIG. 8 is an opposed side view of FIG. 7.  
The broken lines in the figures are for the purpose of illustrating portions of the dermaplaning cartridge dispenser and form no part of the claimed design.

**1 Claim, 6 Drawing Sheets**



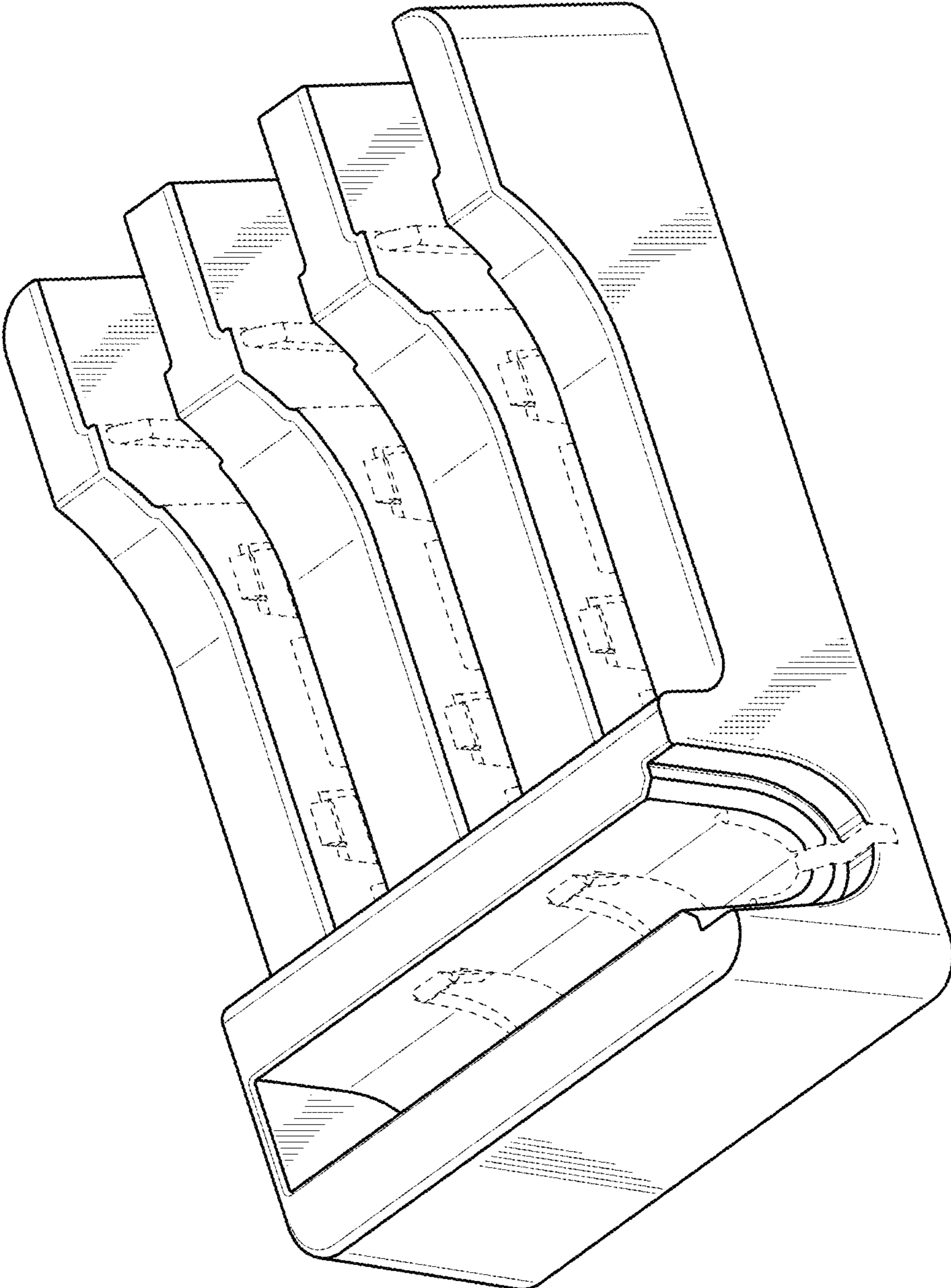


FIG. 1

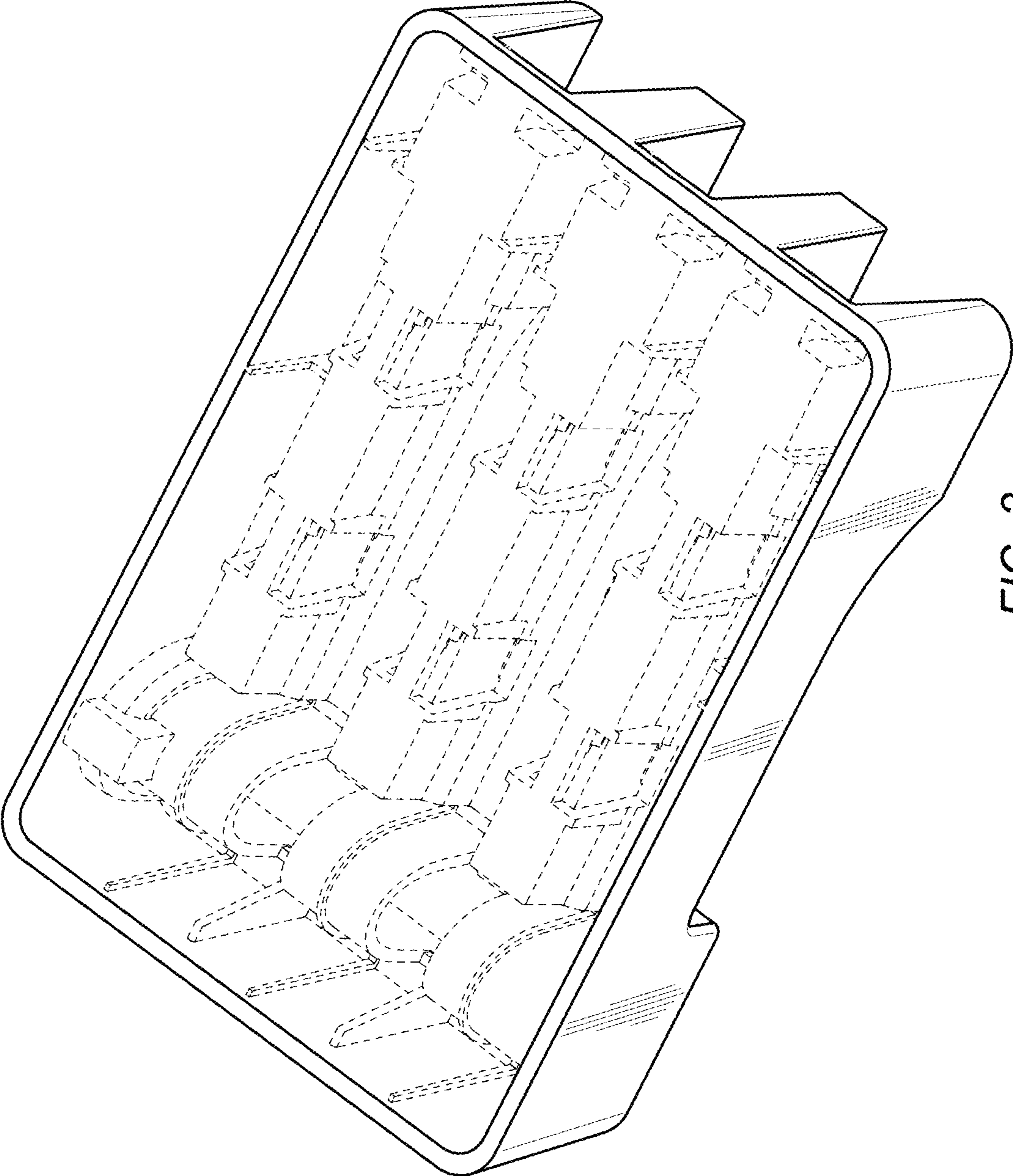


FIG. 2

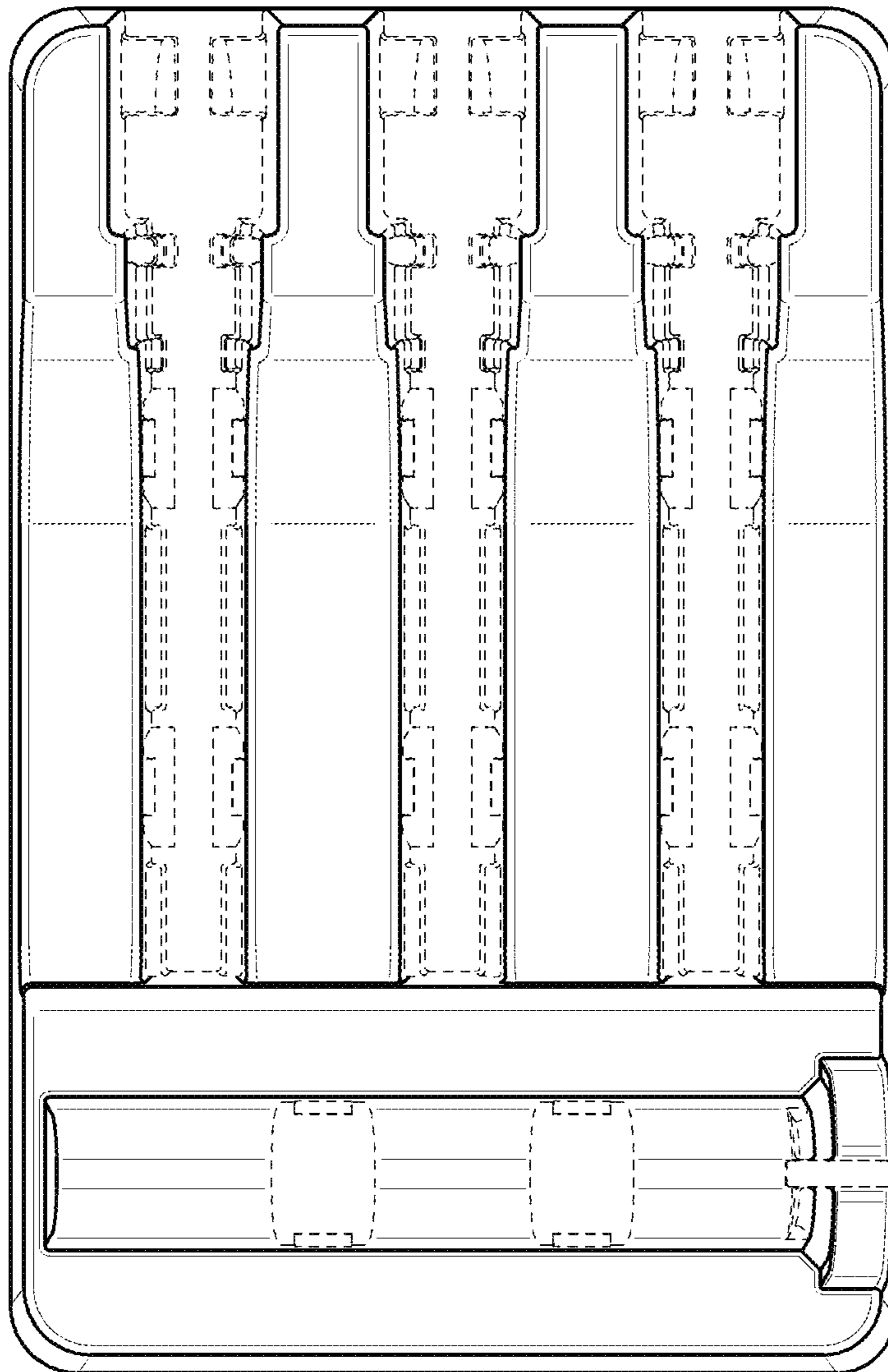


FIG. 3

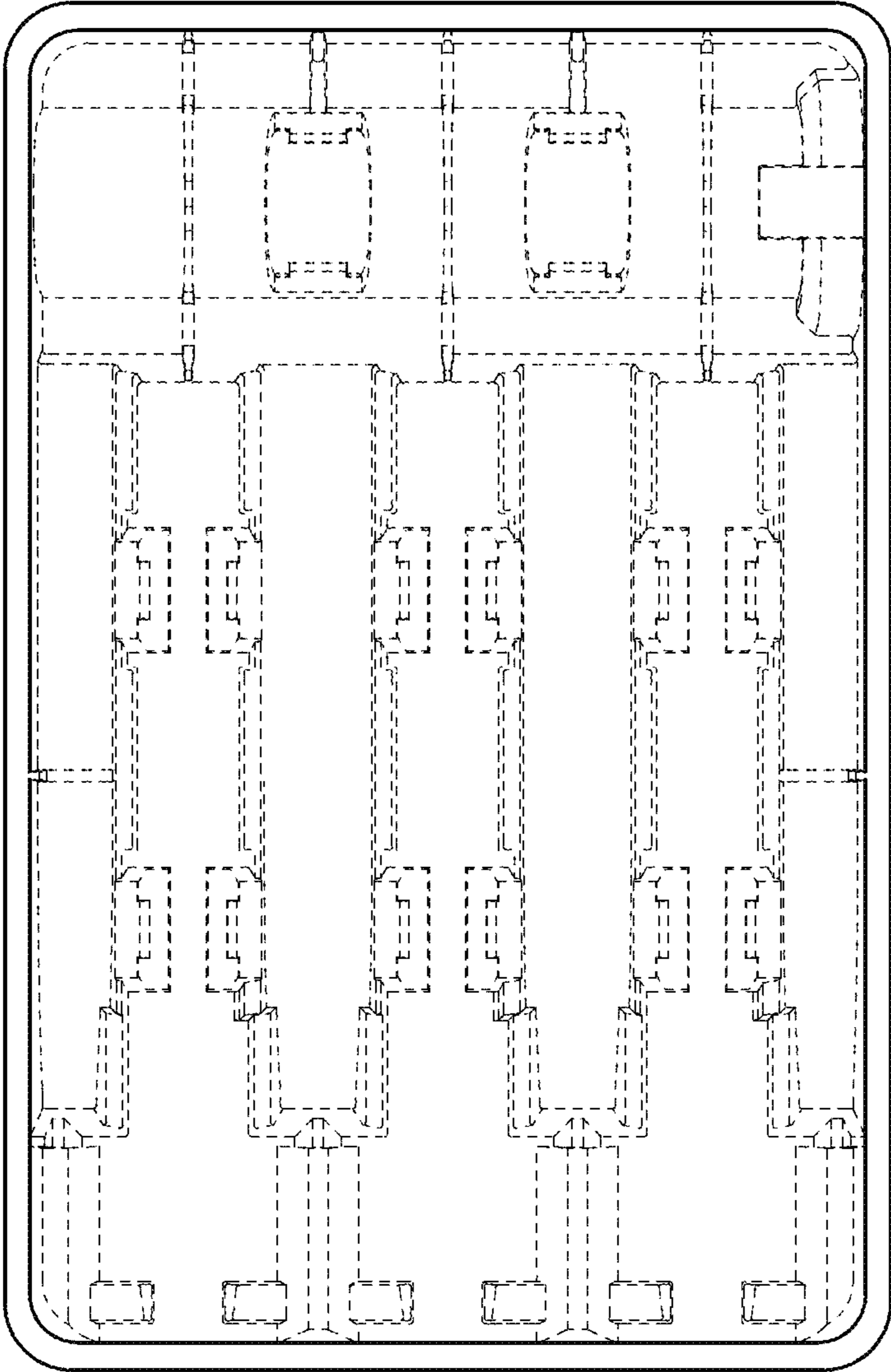


FIG. 4

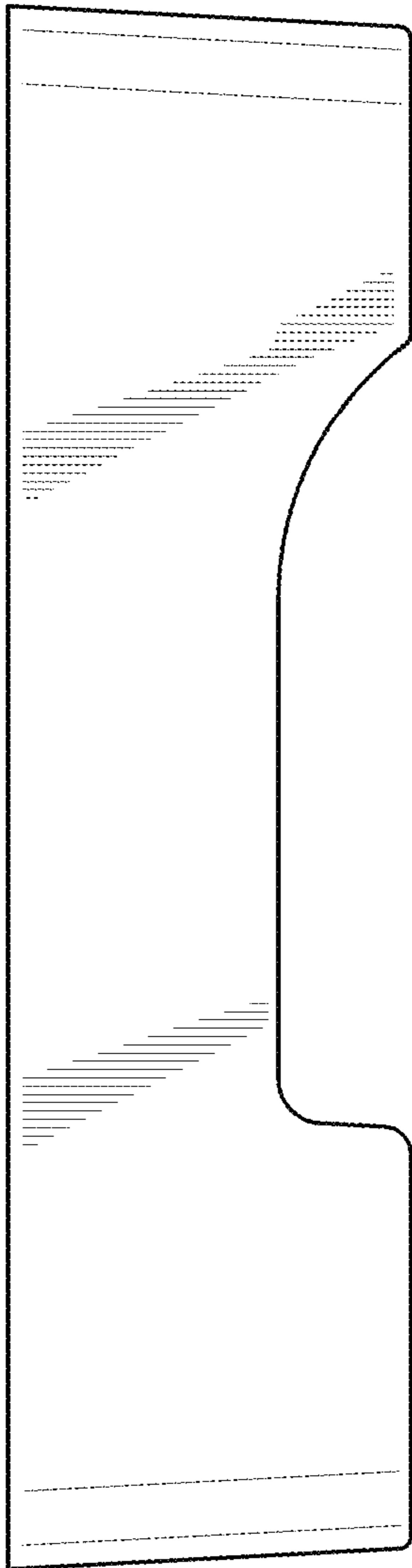


FIG. 5

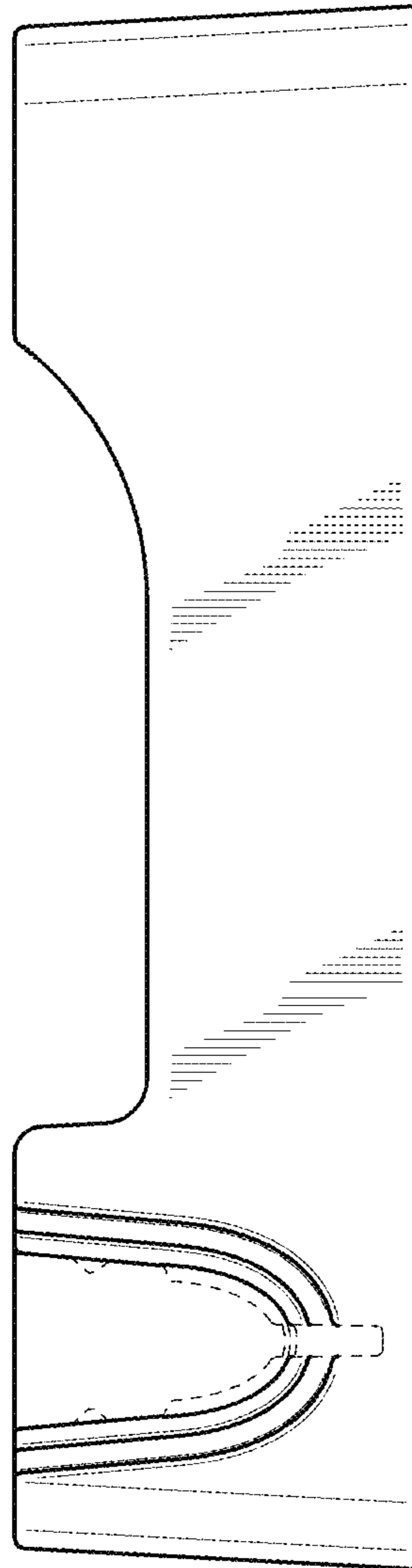


FIG. 6

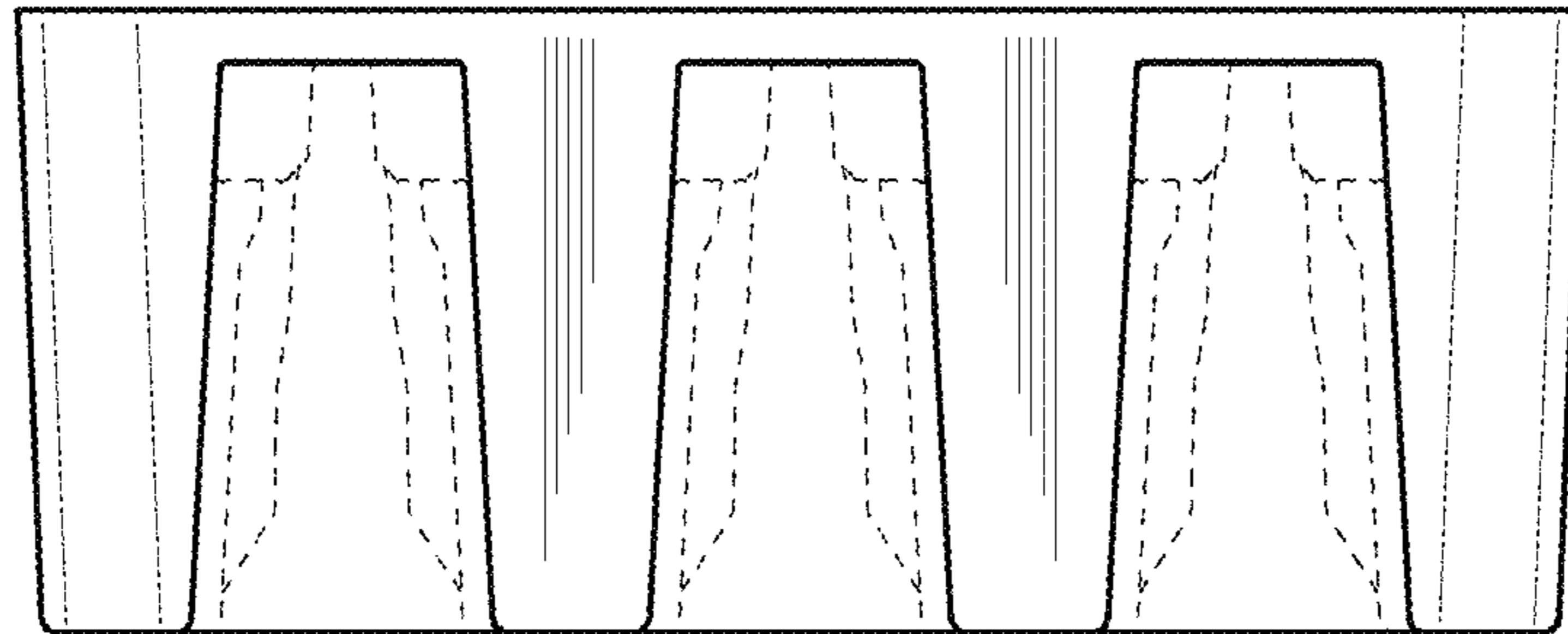


FIG. 8

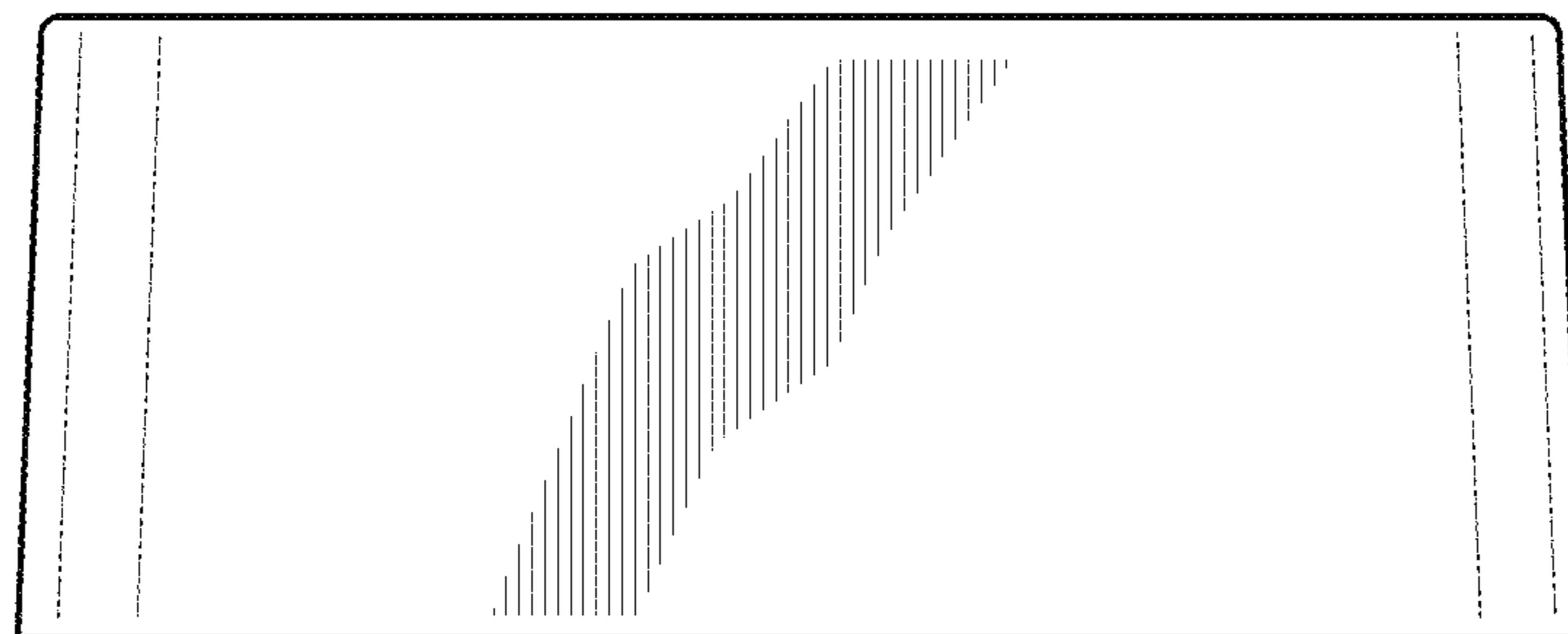


FIG. 7