



US00D973513S

(12) **United States Design Patent**
Bartlett et al.

(10) **Patent No.:** **US D973,513 S**
(45) **Date of Patent:** **** Dec. 27, 2022**

(54) **CONTAINER**

FOREIGN PATENT DOCUMENTS

(71) Applicant: **Metrex Research, LLC**, Orange, CA
(US)

CA 178020 A 7/1917
CN 3422867 2/2005

(Continued)

(72) Inventors: **Lauren Clarise Bartlett**, Fox Point, WI
(US); **James Liang-Hiong Chia**, Irvine,
CA (US); **Zackary M. Fredericks**,
Wauwatosa, WI (US); **Christopher**
Michael Hoang, Rancho Santa
Margarita, CA (US); **Joshua R. Kouba**,
Waukesha, WI (US); **Jonathan James**
Leyrer, Wauwautosa, WI (US)

Primary Examiner — Lauren R Calve

(74) *Attorney, Agent, or Firm* — Wood Herron & Evans
LLP

(57) **CLAIM**

The ornamental design for a container, as shown and
described.

DESCRIPTION

(73) Assignee: **Metrex Research, LLC**, Orange, CA
(US)

(**) Term: **15 Years**

(21) Appl. No.: **29/864,948**

(22) Filed: **Jun. 29, 2022**

FIG. 1 is a top front right perspective view of our new,
original, and ornamental design for a container.

FIG. 2 is a front view thereof.

FIG. 3 is a rear view thereof.

FIG. 4 is a left side view thereof, the right side view being
a mirror image thereof.

FIG. 5 is a top view thereof.

FIG. 6 is a bottom view thereof.

FIG. 7 is a cross-sectional view taken along line 7-7 in FIG.
2.

FIG. 8 is a top front right perspective view thereof with the
lid open.

FIG. 9 is a front view thereof with the lid open.

FIG. 10 is a rear view thereof with the lid open.

FIG. 11 is a left side view thereof with the lid open, the right
side view being a mirror image thereof.

FIG. 12 is a top view thereof with the lid open.

FIG. 13 is a bottom view thereof with the lid open; and,

FIG. 14 is a cross-sectional view taken along line 14-14 in
FIG. 9.

The dashed lines represent portions of the container that
form no part of the claimed design. The dash dot lines
illustrate indeterminate height of the design. The appearance
of any portion of the container between the dash dot lines
forms no part of the claimed design.

Related U.S. Application Data

(62) Division of application No. 29/753,393, filed on Sep.
30, 2020, now abandoned.

(51) **LOC (13) Cl.** **09-01**

(52) **U.S. Cl.**
USPC **D9/734; D9/503**

(58) **Field of Classification Search**

USPC D9/414, 420, 423, 424, 430, 431, 440,
D9/449, 503, 504, 529, 550, 557, 540,
(Continued)

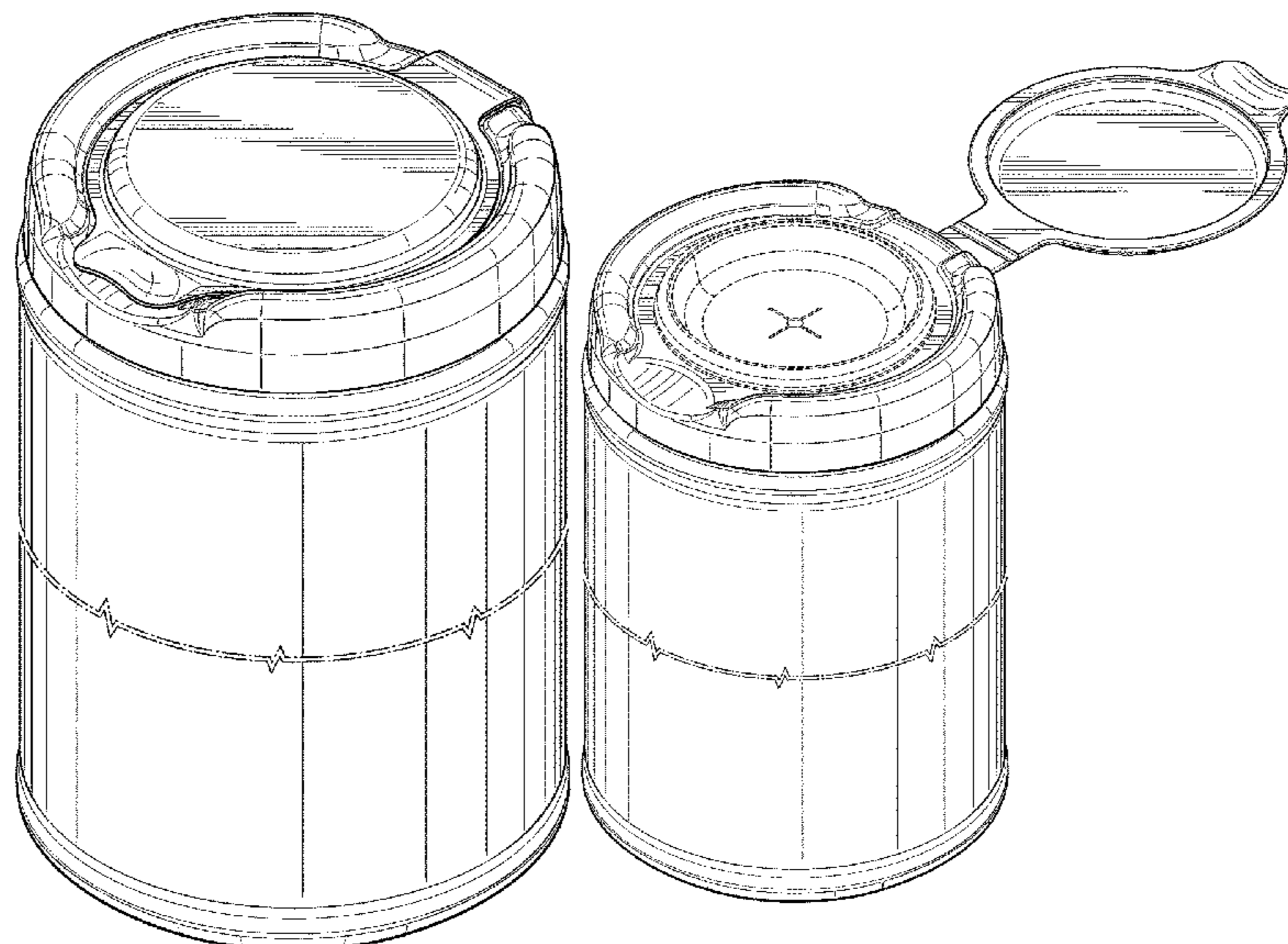
(56) **References Cited**

U.S. PATENT DOCUMENTS

4,171,047 A 10/1979 Doyle et al.
4,337,876 A 7/1982 Thompson

(Continued)

1 Claim, 14 Drawing Sheets



US D973,513 S

(58) **Field of Classification Search**

USPC D9/730, 734; D3/201, 304, 315;
 D6/515, 518, 519, 521, 522, 523;
 D7/601, 608, 622, 704
 CPC B65D 75/5838; B65D 2575/586; B65D
 75/5855; B65D 75/5805; B65D 75/12;
 B65D 77/2096; B65D 2101/00; B65D
 75/5827; B65D 83/0805; B65D 75/20;
 B65D 75/26; B65D 75/68; B65D 33/20;
 B65D 77/003; B65D 75/326; B65D
 77/2032; B65D 2543/00425; B65D
 2543/00194

See application file for complete search history.

(56) **References Cited**

U.S. PATENT DOCUMENTS

4,462,507	A	7/1984	Margulies	
4,534,491	A	8/1985	Norton et al.	
D284,066	S	6/1986	Civre	
D322,215	S	12/1991	Hunt	
D322,931	S	1/1992	Hunt	
D322,932	S	1/1992	Hunt	
D354,225	S	1/1995	Norton et al.	
5,560,514	A	10/1996	Frazier	
6,145,782	A	11/2000	King et al.	
D448,290	S *	9/2001	Schultz	D9/503
6,283,334	B1	9/2001	Mahaffey et al.	
6,315,114	B1	11/2001	Keck et al.	
6,364,101	B1 *	4/2002	Schultz	A47K 10/3818 220/375
6,554,156	B1 *	4/2003	Chong	A47K 10/3818 221/303
D525,146	S	7/2006	Young et al.	
D529,400	S	10/2006	Sellars	
7,163,124	B2 *	1/2007	Bushman	A47K 10/3818 221/33
D541,173	S	4/2007	Karussi et al.	
7,556,175	B2	7/2009	Simkins	
7,559,434	B2	7/2009	Masting	
7,597,213	B2	10/2009	McDonald	
D651,077	S	12/2011	Frias	
D651,899	S	1/2012	Frias	
9,138,111	B2	9/2015	Crudge et al.	
D741,181	S *	10/2015	Bar-Tal	D9/557
9,510,714	B2	12/2016	White	
9,974,419	B2	5/2018	Azelton et al.	
D819,456	S *	6/2018	Gómez Martín	D9/734
10,039,425	B2	8/2018	Azelton et al.	
D836,433	S	12/2018	Cahalan	
10,327,602	B2	6/2019	Azelton et al.	
10,351,998	B2	7/2019	Baer et al.	
10,413,137	B2	9/2019	Wahl et al.	
10,676,271	B2 *	6/2020	Frank	B65D 81/24
2004/0251292	A1	12/2004	Grebonval et al.	

2005/0087543	A1 *	4/2005	Smith	B65D 43/0212 221/63
2005/0133387	A1	6/2005	Cohen et al.	
2008/0073311	A1 *	3/2008	Jelich	B65D 47/0847 220/254.5
2008/0099596	A1 *	5/2008	DeMaso	B65D 85/671 242/588.3
2008/0110918	A1	5/2008	Lee	
2009/0114669	A1	5/2009	Decker et al.	
2009/0255950	A1 *	10/2009	Simkins	A47K 10/3818 220/254.1
2009/0272665	A1	11/2009	Cornell	
2009/0289077	A1	11/2009	Melin et al.	
2010/0078443	A1 *	4/2010	Hoefing	A47K 10/3818 221/45
2010/0133287	A1	6/2010	Framontina et al.	
2010/0187250	A1 *	7/2010	Kryshak	B65D 83/0894 221/197
2011/0011878	A1	1/2011	Baer et al.	
2018/0273247	A1	9/2018	Mooney	

FOREIGN PATENT DOCUMENTS

CN	300821343	8/2008
CN	302670623 S	12/2013
CN	303422089 S	10/2015
CN	303911054 S	11/2016
CN	304296459	9/2017
CN	304442886	1/2018
CN	304973097 S	1/2019
CN	305464056 S	11/2019
EM	000458922-0006	2/2006
EP	0818400 A1	1/1998
IL	30302	12/1999
JP	1182449 S	8/2003
JP	1217638 S	9/2004
JP	1231230 S	2/2005
JP	1467550 S	4/2013
JP	1467551	4/2013
JP	1471424 S	6/2013
JP	1490828 S	2/2014
JP	1527244 S	6/2015
JP	1534584 S	10/2015
JP	1576915 S	5/2017
JP	1576916 S	5/2017
KR	300871562	9/2016
KR	300871563	9/2016
KR	300924865	9/2017
KR	300931514	11/2017
KR	300934138	12/2017
KR	300937849	12/2017
KR	300946436	3/2018
RU	50630 U1	7/2002
RU	63275 U1	7/2007
WO	D076439-001	3/2011
WO	D076439-007	3/2011

* cited by examiner

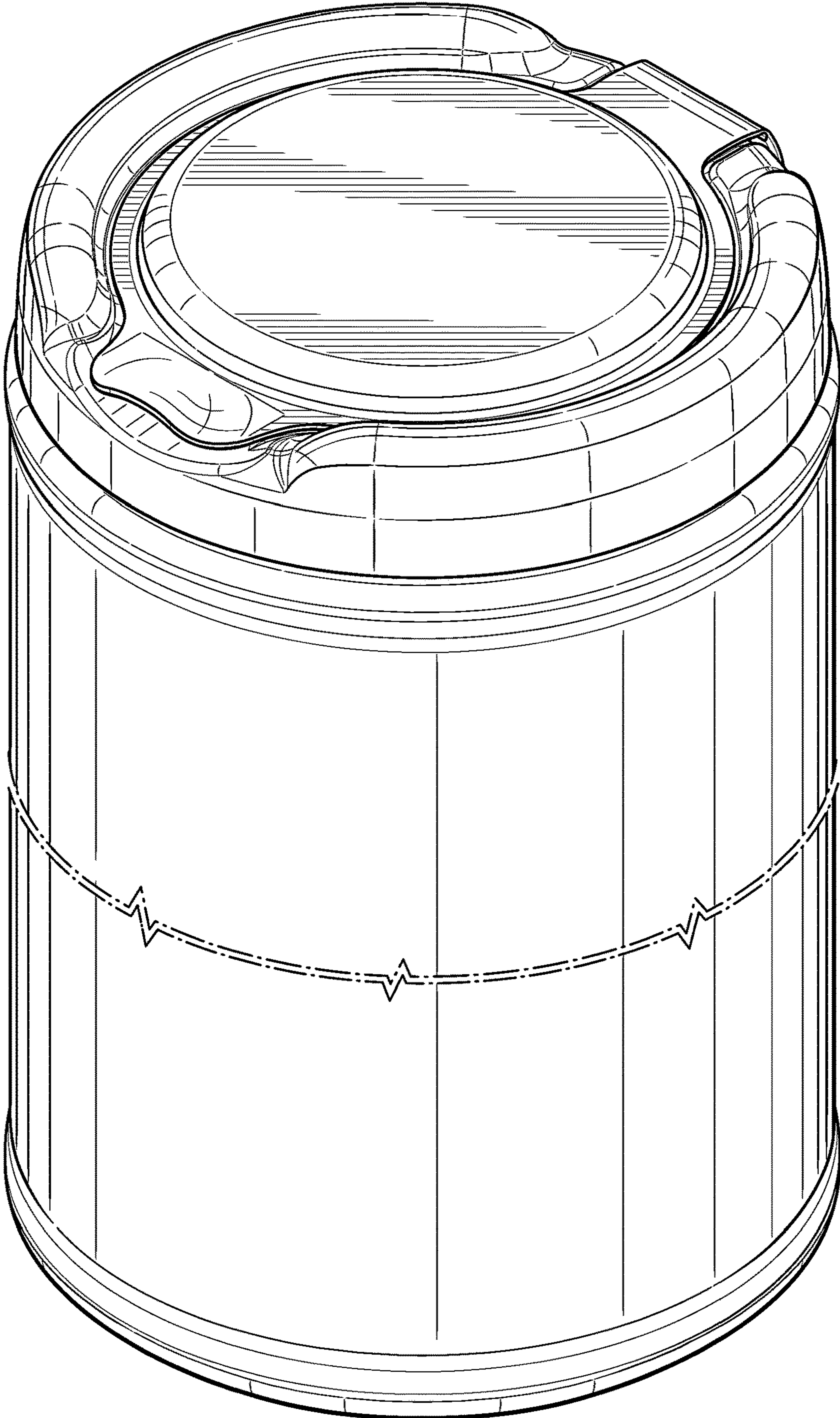


FIG. 1

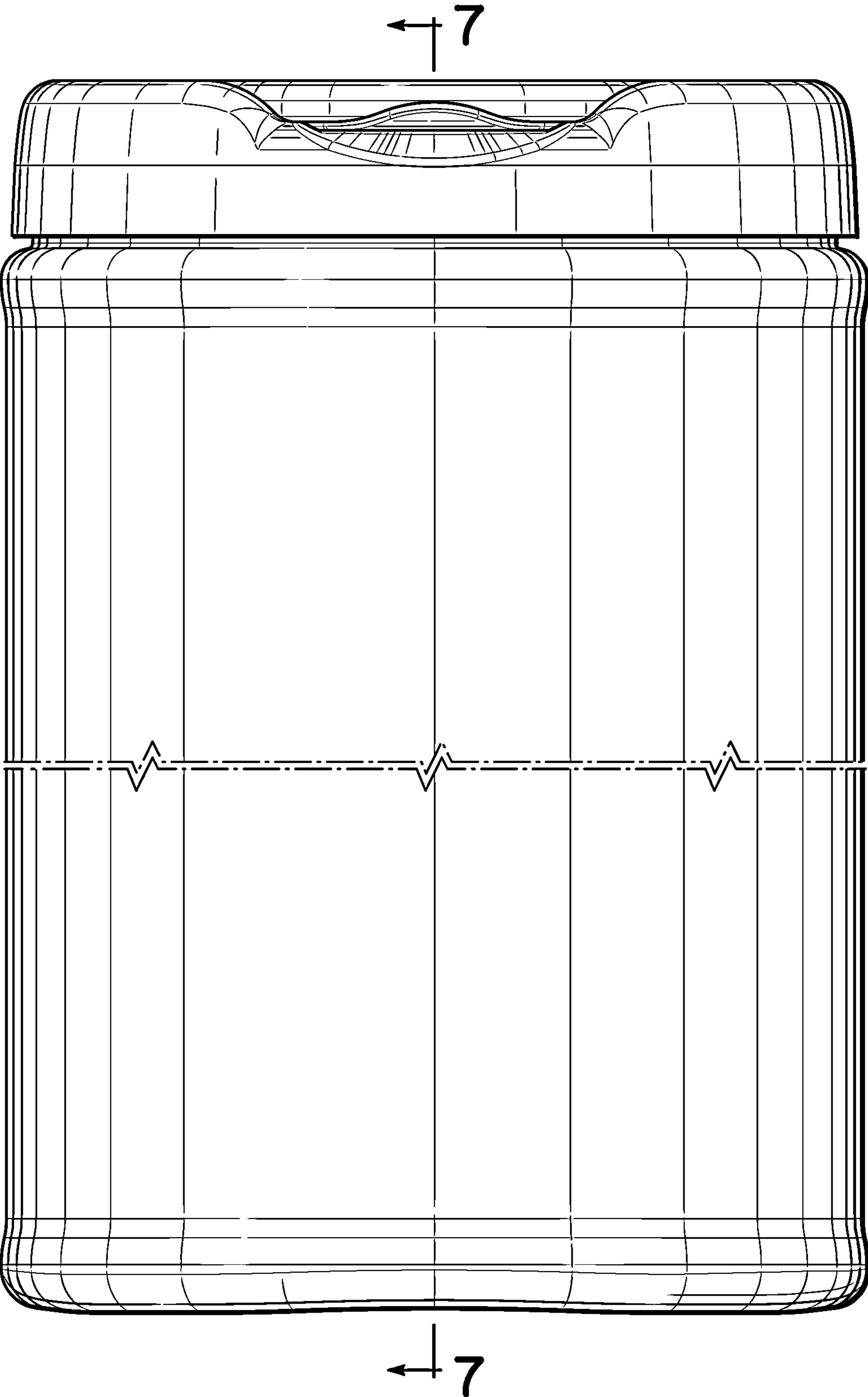


FIG. 2

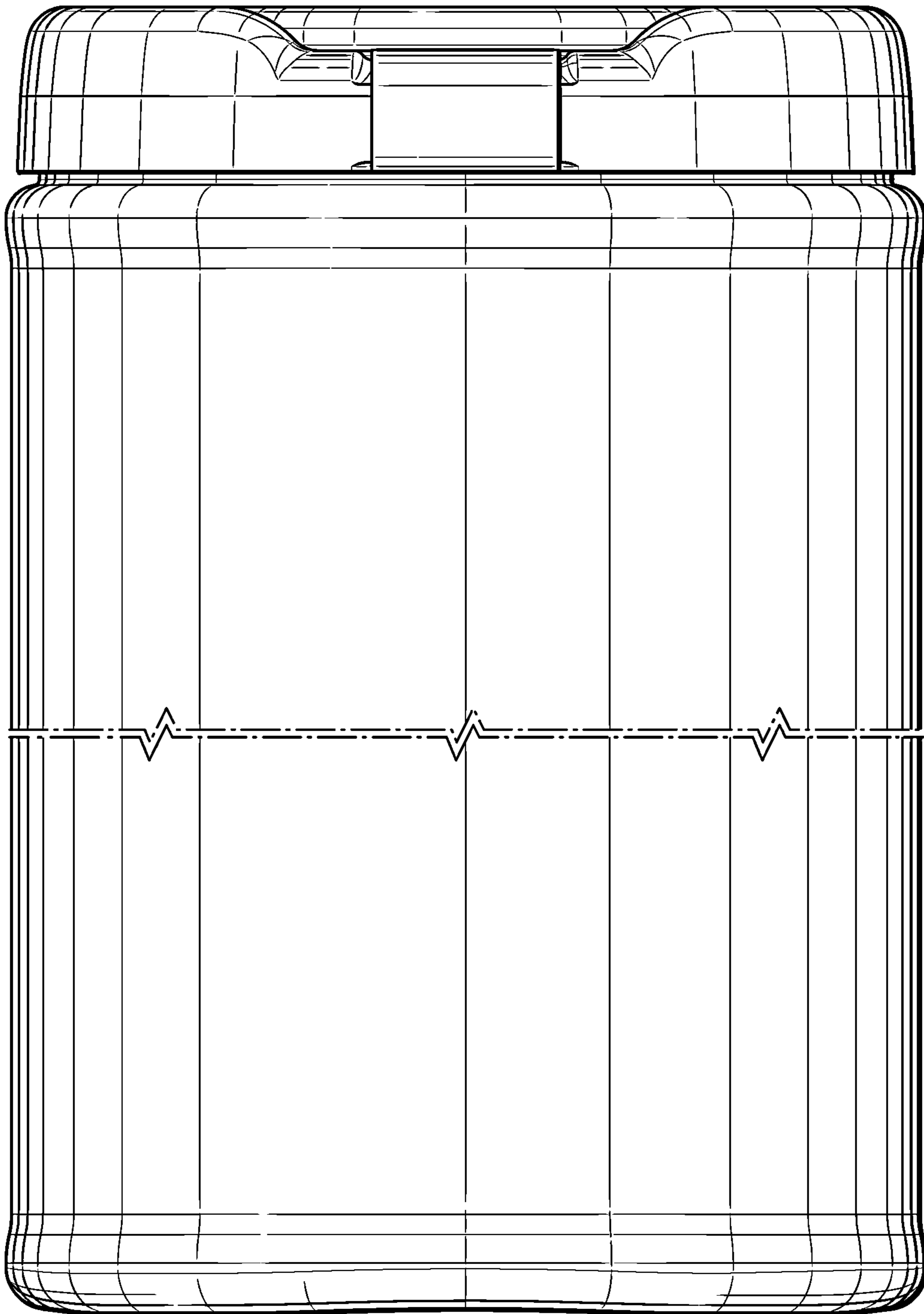


FIG. 3

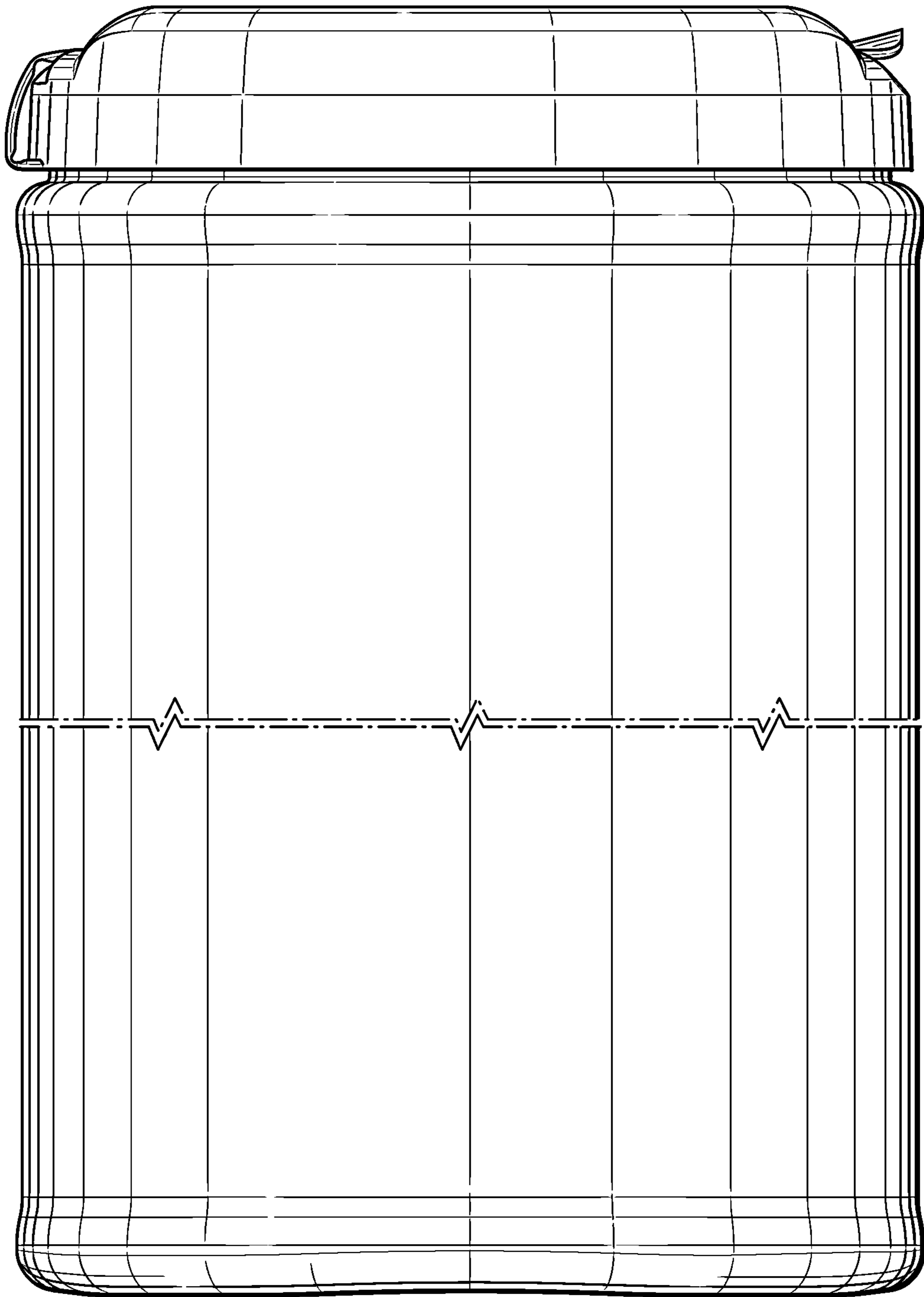


FIG. 4

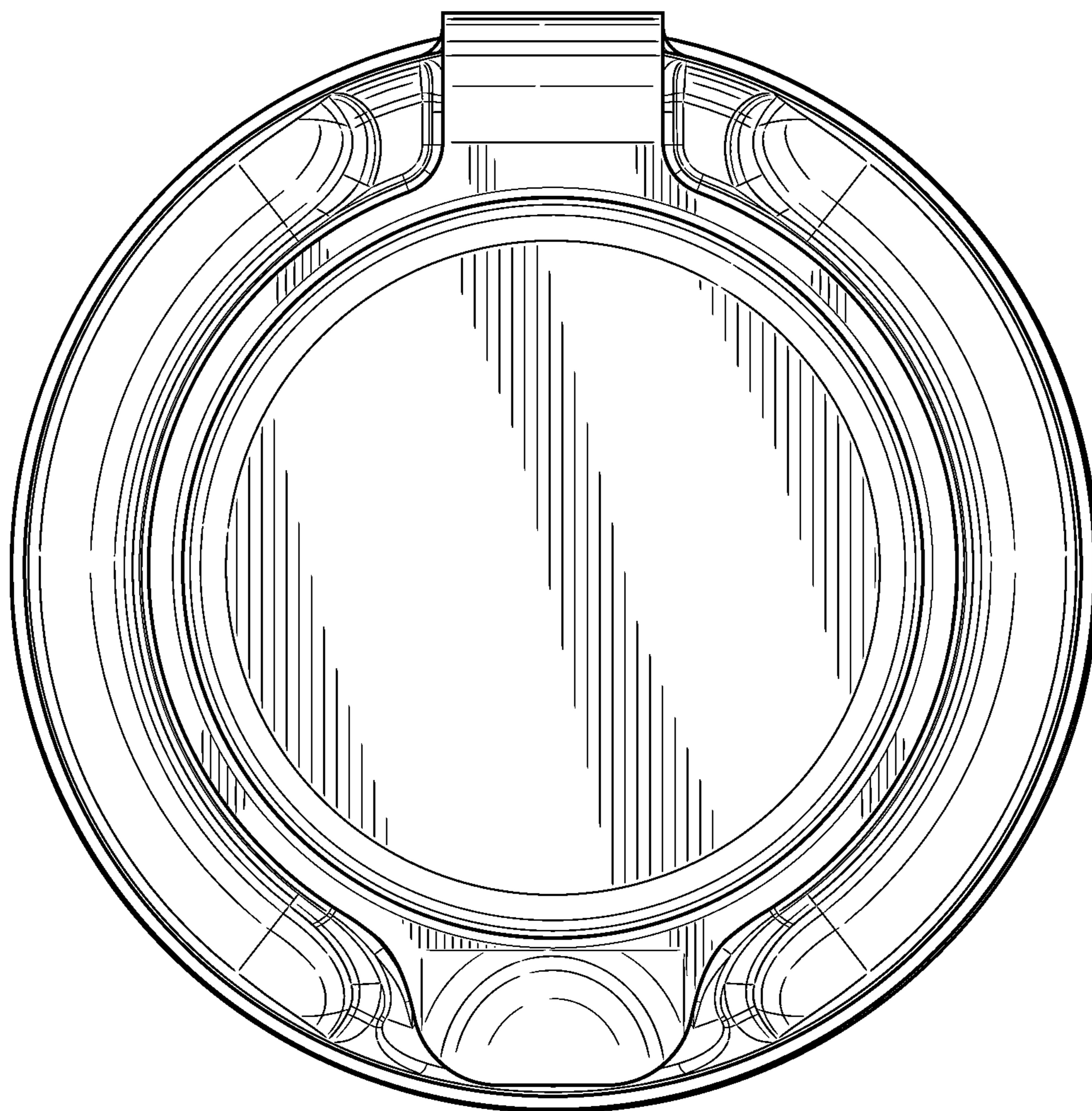


FIG. 5

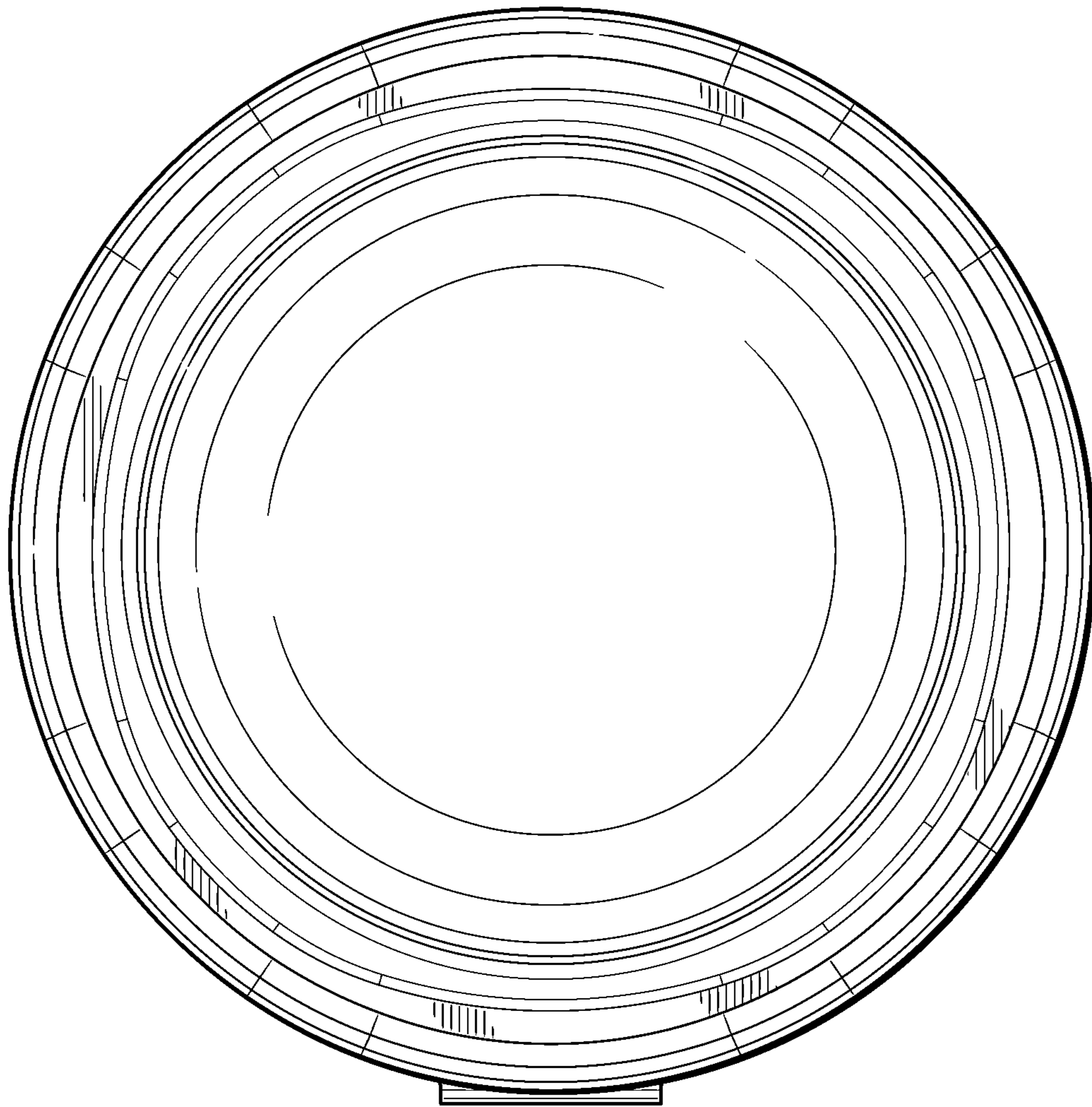


FIG. 6

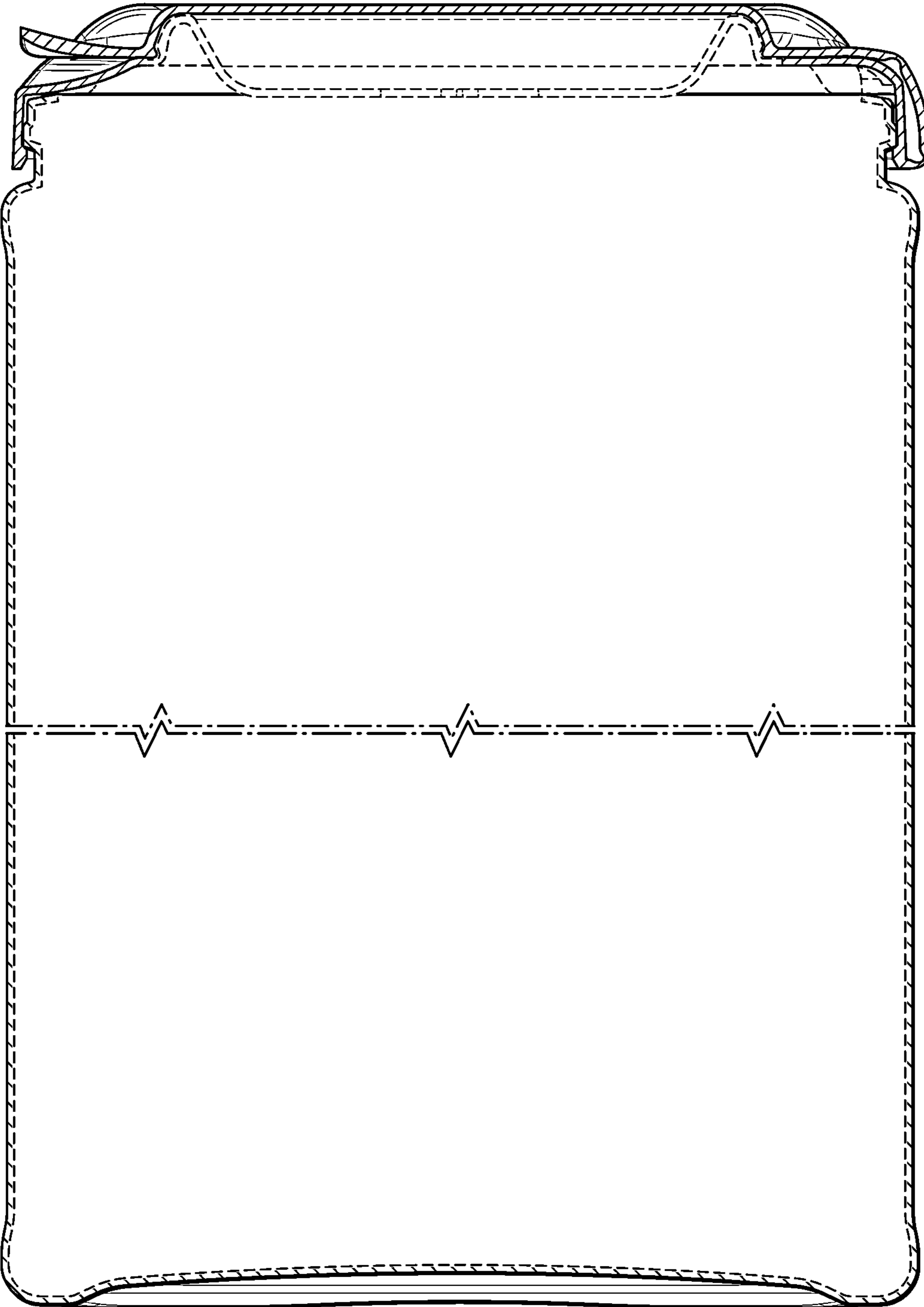


FIG. 7

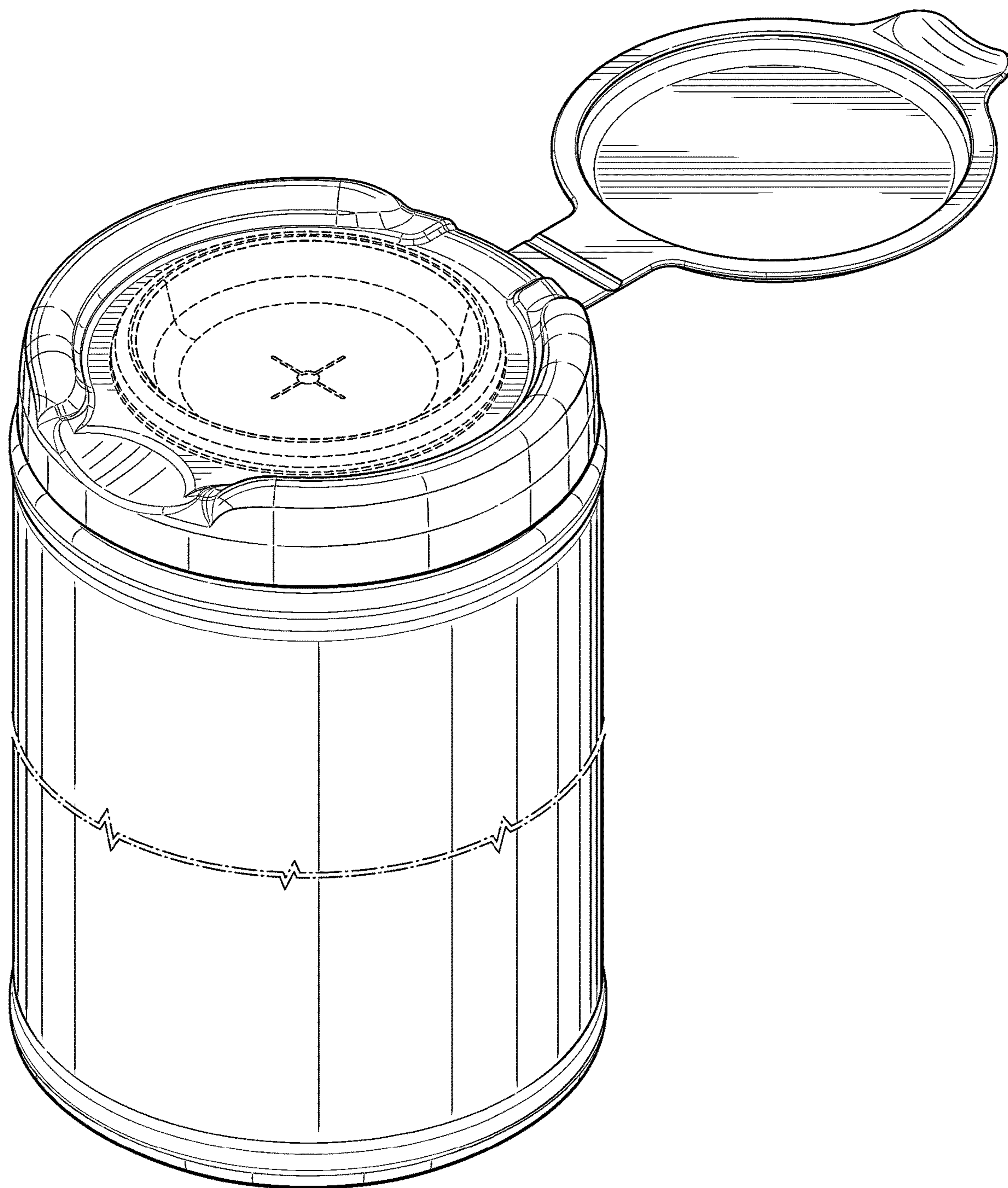


FIG. 8

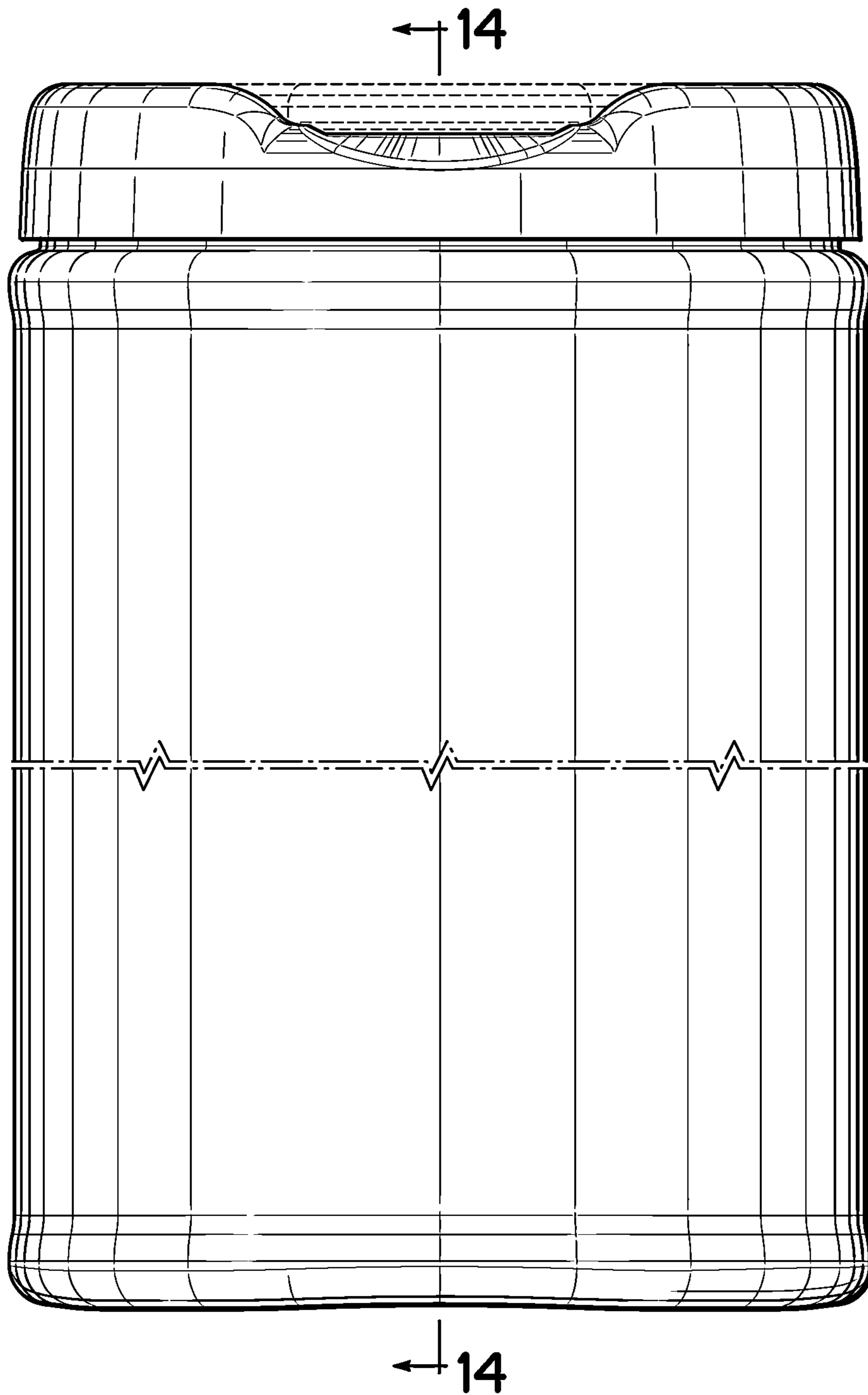


FIG. 9

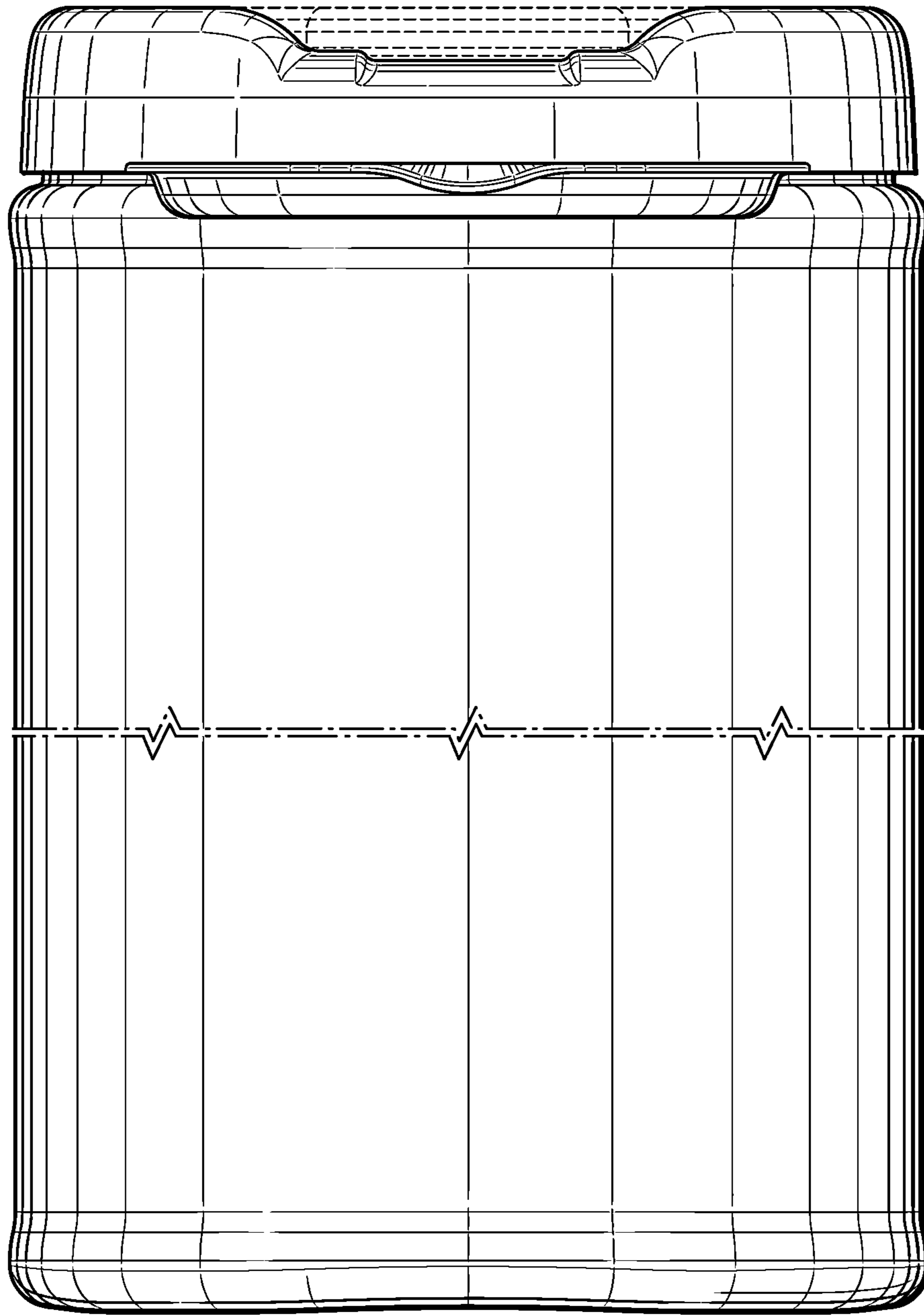


FIG. 10

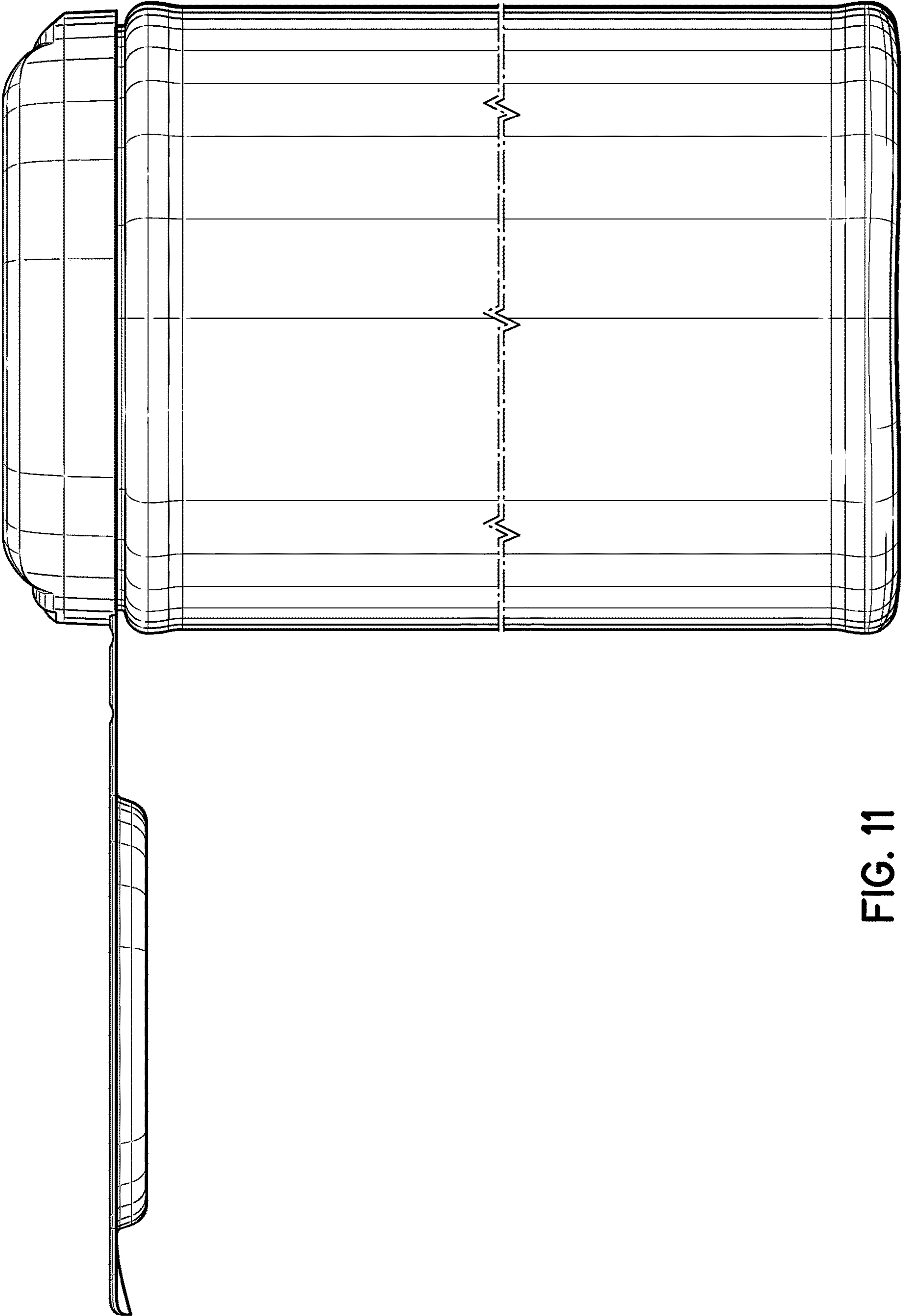


FIG. 11

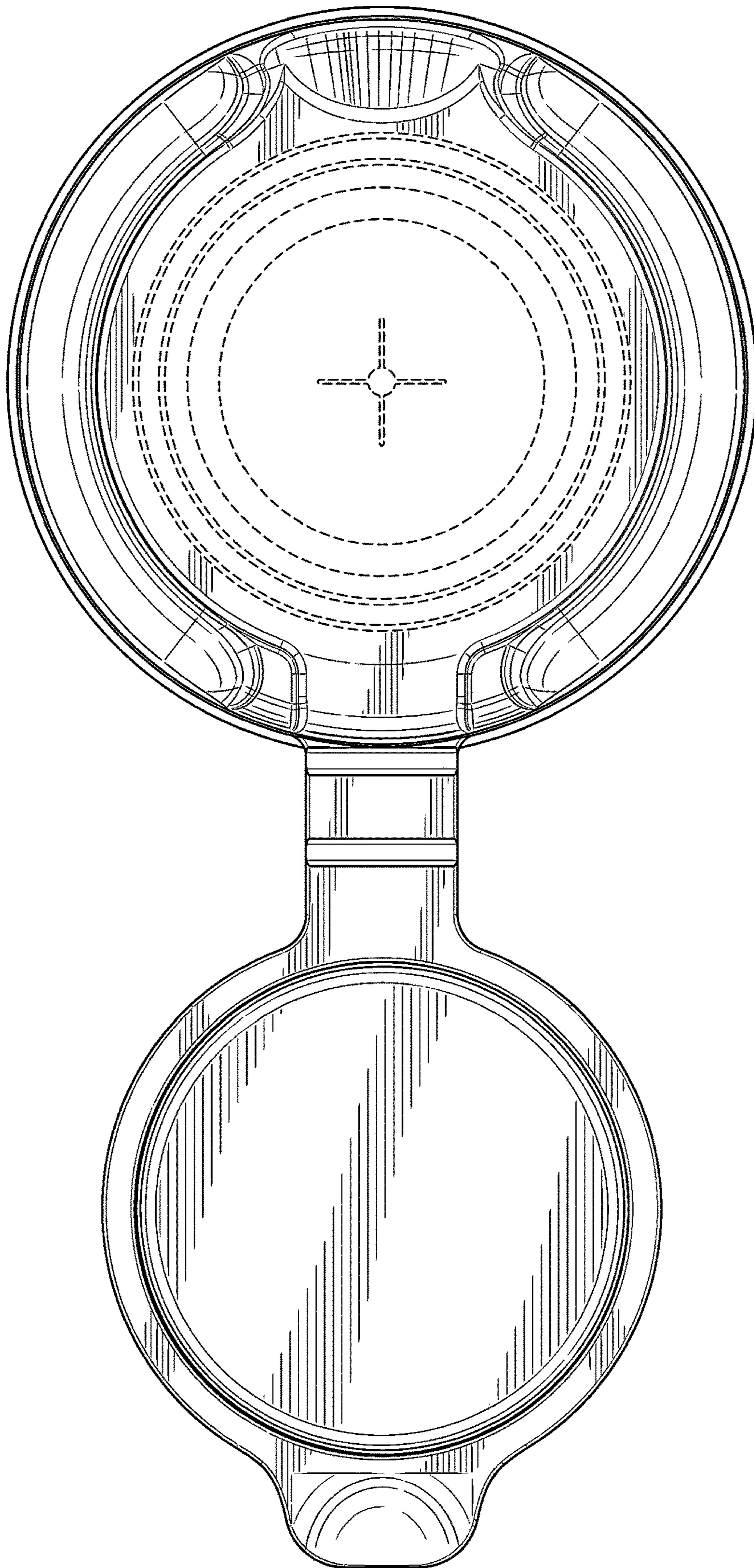


FIG. 12

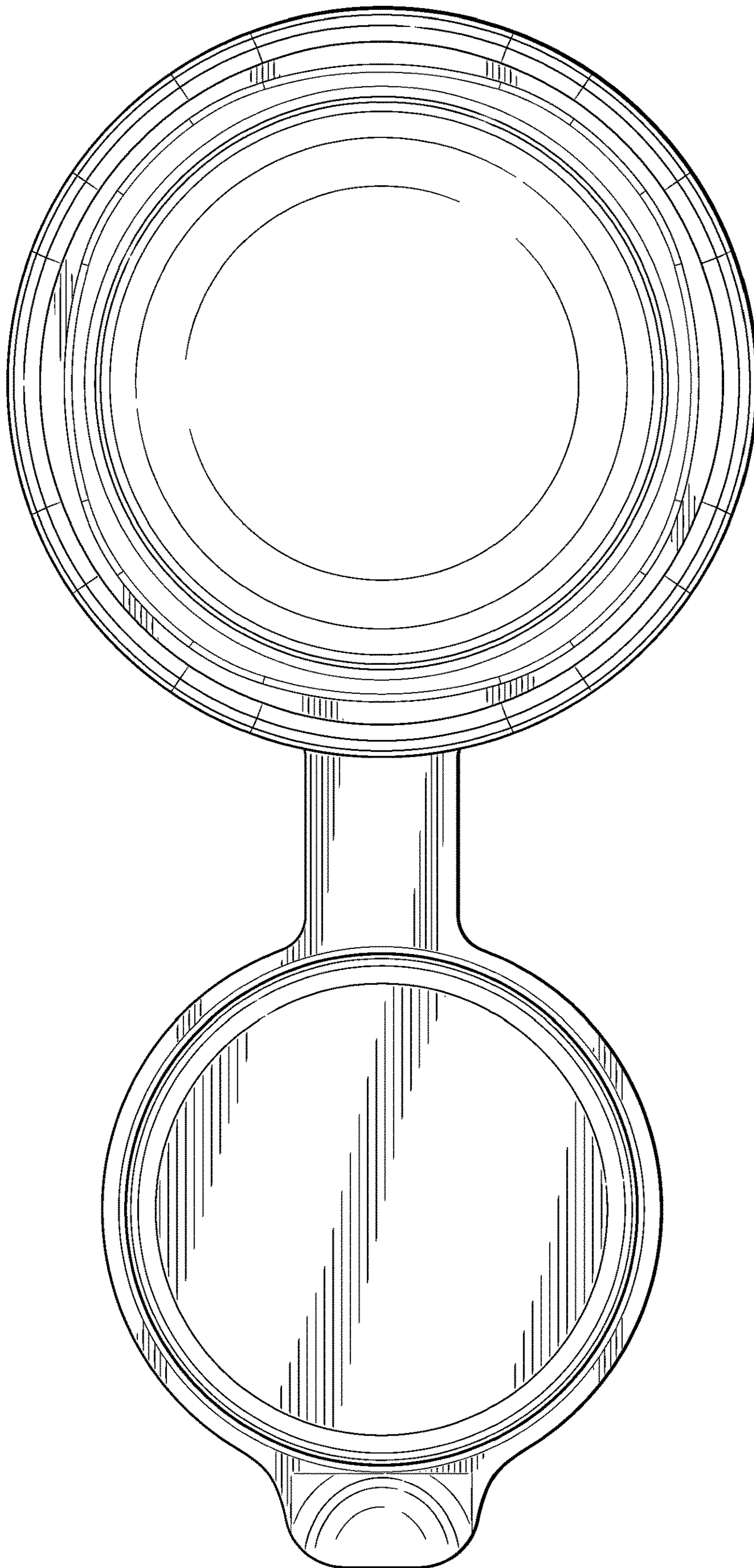


FIG. 13

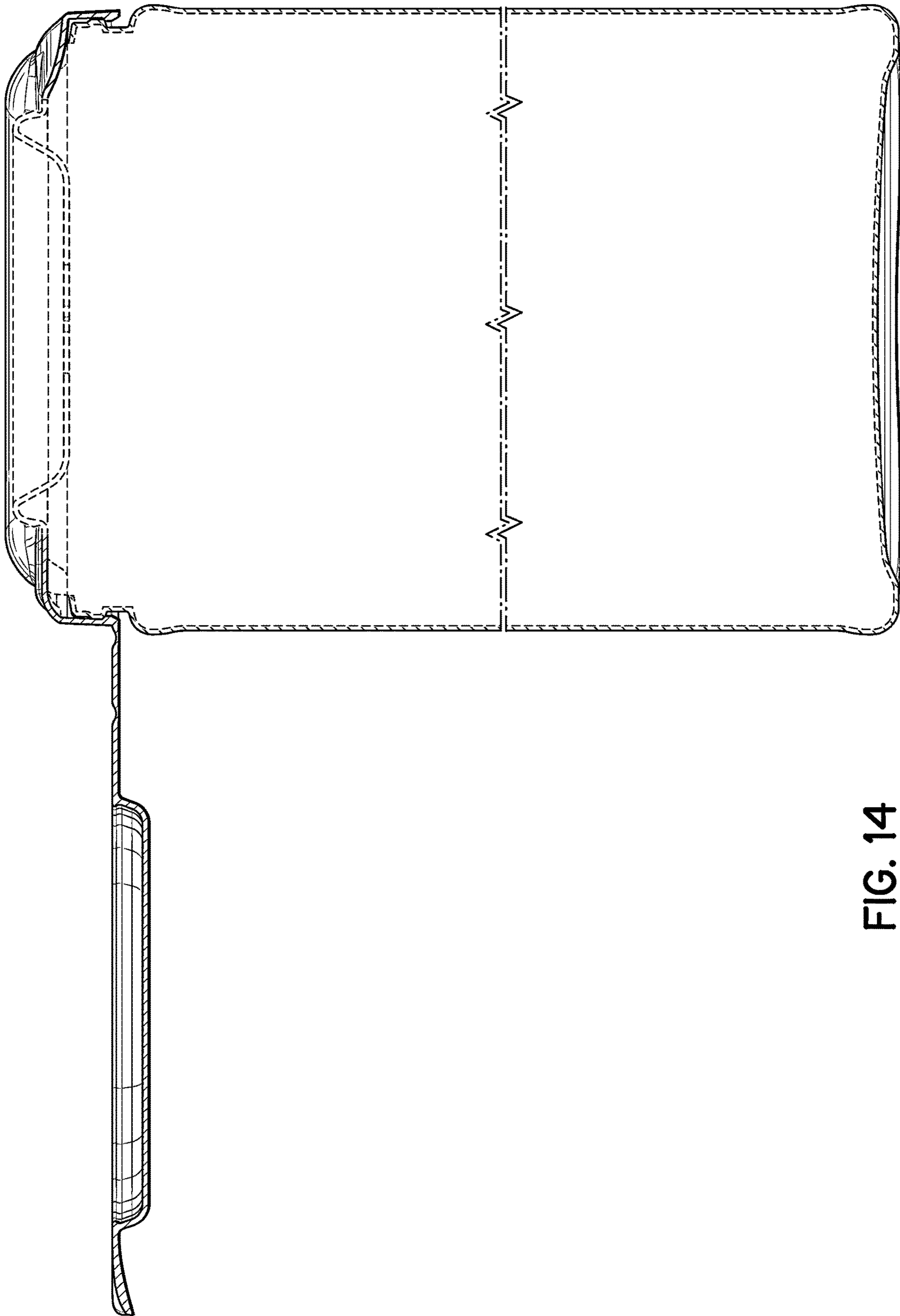


FIG. 14