



US00D973511S

(12) **United States Design Patent** (10) **Patent No.:** **US D973,511 S**
Bridges et al. (45) **Date of Patent:** **** Dec. 27, 2022**

(54) **BLISTER PACK**

(71) Applicant: **Gilead Sciences, Inc.**, Foster City, CA (US)

(72) Inventors: **Robert Bridges**, San Mateo, CA (US); **Joseph Cordova**, Foster City, CA (US); **Trevor Zimmermann**, Foster City, CA (US); **Caricia Catalani**, San Francisco, CA (US); **Kangil Cheon**, San Francisco, CA (US); **Hortense Caroline Agnes Desodt**, New Smyrna Beach, FL (US); **Jesse Arnold Fourt**, Menlo Park, CA (US); **Brittany Jeannette Margot**, Menlo Park, CA (US)

(73) Assignee: **GILEAD SCIENCES, INC.**, Foster City, CA (US)

(**) Term: **15 Years**

(21) Appl. No.: **29/845,301**

(22) Filed: **Jul. 6, 2022**

Related U.S. Application Data

(60) Division of application No. 29/782,458, filed on May 6, 2021, which is a continuation of application No. 29/762,026, filed on Dec. 14, 2020.

(51) **LOC (13) Cl.** **09-01**

(52) **U.S. Cl.**
USPC **D9/732**

(58) **Field of Classification Search**
USPC D9/414, 415, 424, 456, 732, 737, 756, D9/759, 761; D24/227, 229, 230
CPC B65D 75/327; B65D 2585/56; B65D 75/367; B65D 75/32; B65D 2575/3227; B65D 83/0445; B65D 2575/367; B65D 2575/3245; B65D 83/04; B65D 75/22; B65D 75/5855; B65D 75/323; B65D 2543/00296; B65D 5/4204; B65D 25/04; B65D 75/52; B65D 75/585;

B65D 73/0035; B65D 73/0085; B65D 75/58; B65D 2543/00194; B65D 1/36; B65D 73/0078; B65D 2543/00805; B65D 73/0042; B65D 75/225; B65D 77/30; B65D 2543/00092; B65D 75/522; B65D 1/0223

See application file for complete search history.

(56) **References Cited**

U.S. PATENT DOCUMENTS

5,310,060 A 5/1994 Bitner
5,785,180 A 7/1998 Dressel
(Continued)

FOREIGN PATENT DOCUMENTS

EM 000646492-0001 1/2007
EM 000666177-0001 2/2007
(Continued)

Primary Examiner — Lauren R Calve

(74) *Attorney, Agent, or Firm* — McAndrews Held & Malloy, Ltd.

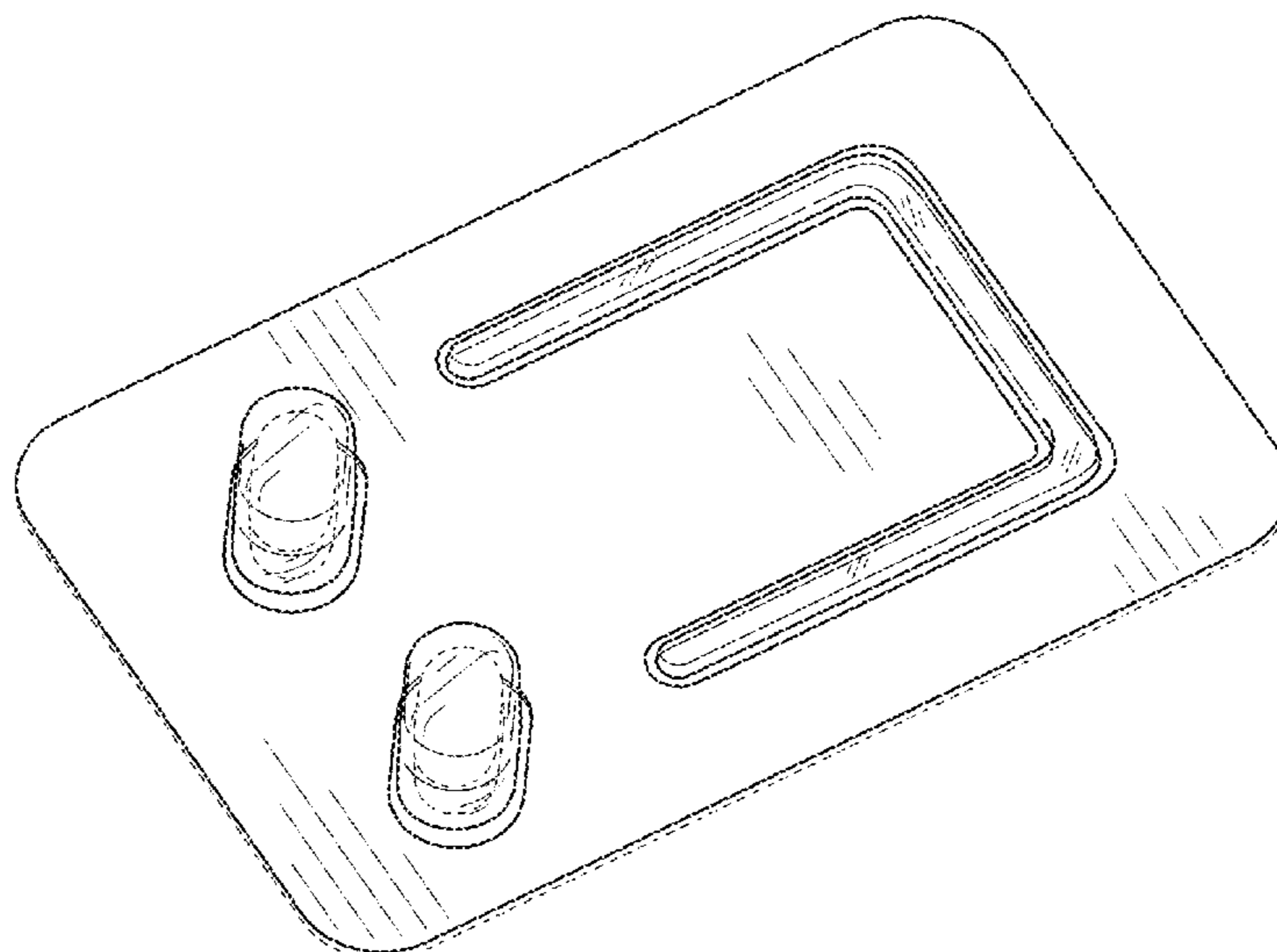
(57) **CLAIM**

The ornamental design for a blister pack, as shown and described.

DESCRIPTION

FIG. 1 is a top front perspective view of a blister pack showing our new design;
FIG. 2 is a front elevation view thereof;
FIG. 3 is a rear elevation view thereof;
FIG. 4 is a right side elevation view thereof;
FIG. 5 is a left side elevation view thereof;
FIG. 6 is a top plan view thereof; and,
FIG. 7 is a bottom plan view thereof.
The dashed broken lines in the figures illustrate portions of the blister pack that form no part of the claimed design.

1 Claim, 3 Drawing Sheets



(56)

References Cited

U.S. PATENT DOCUMENTS

6,338,407 B2 * 1/2002 Danville B65D 75/327
 206/532
 D455,953 S * 4/2002 Assargren D9/732
 6,974,032 B2 * 12/2005 Intini B65D 75/36
 206/532
 D548,618 S 8/2007 Ferguson et al.
 D548,619 S * 8/2007 Ferguson D9/722
 D594,753 S 6/2009 Eadicicco et al.
 D607,749 S 1/2010 Freeland et al.
 D607,750 S 1/2010 Freeland et al.
 D607,752 S 1/2010 Freeland et al.
 7,690,511 B2 4/2010 Arnold
 D631,757 S 2/2011 Kerr et al.
 7,900,772 B2 * 3/2011 Sack B65D 83/0463
 206/538
 D655,622 S 3/2012 Sadler et al.
 D655,625 S 3/2012 Mehren et al.
 D658,991 S 5/2012 Schmitz et al.
 D688,570 S 8/2013 Logue
 D691,465 S 10/2013 O'Brien et al.
 D695,134 S 12/2013 Priebe et al.
 D695,633 S 12/2013 Priebe et al.
 D701,127 S 3/2014 Cragolini

D761,126 S 7/2016 Taylor
 D770,303 S 11/2016 Gelbaum
 D828,767 S 9/2018 von Badinski et al.
 D844,428 S 4/2019 Stadelmaier et al.
 D874,944 S 2/2020 Schmidt et al.
 D880,311 S * 4/2020 Kuwa D9/732
 D882,413 S 4/2020 Kuwa
 D886,638 S 6/2020 Bhalla
 2007/0056876 A1 3/2007 Jones
 2012/0199509 A1 8/2012 McKiel, Jr.
 2020/0130911 A1 4/2020 Bhalla

FOREIGN PATENT DOCUMENTS

EM 000720404-0003 5/2007
 EM 000720404-0005 5/2007
 EM 001040109-0015 11/2008
 EM 001040109-0016 11/2008
 EM 001040109-0017 11/2008
 EM 001174346-0001 10/2009
 EM 002220343-0002 4/2013
 EM 002844464-0001 2/2015
 EM 005841962-0002 3/2018
 EM 005841962-0006 3/2018
 EM 005841962-0010 3/2018
 EM 005227550-0001 9/2018

* cited by examiner

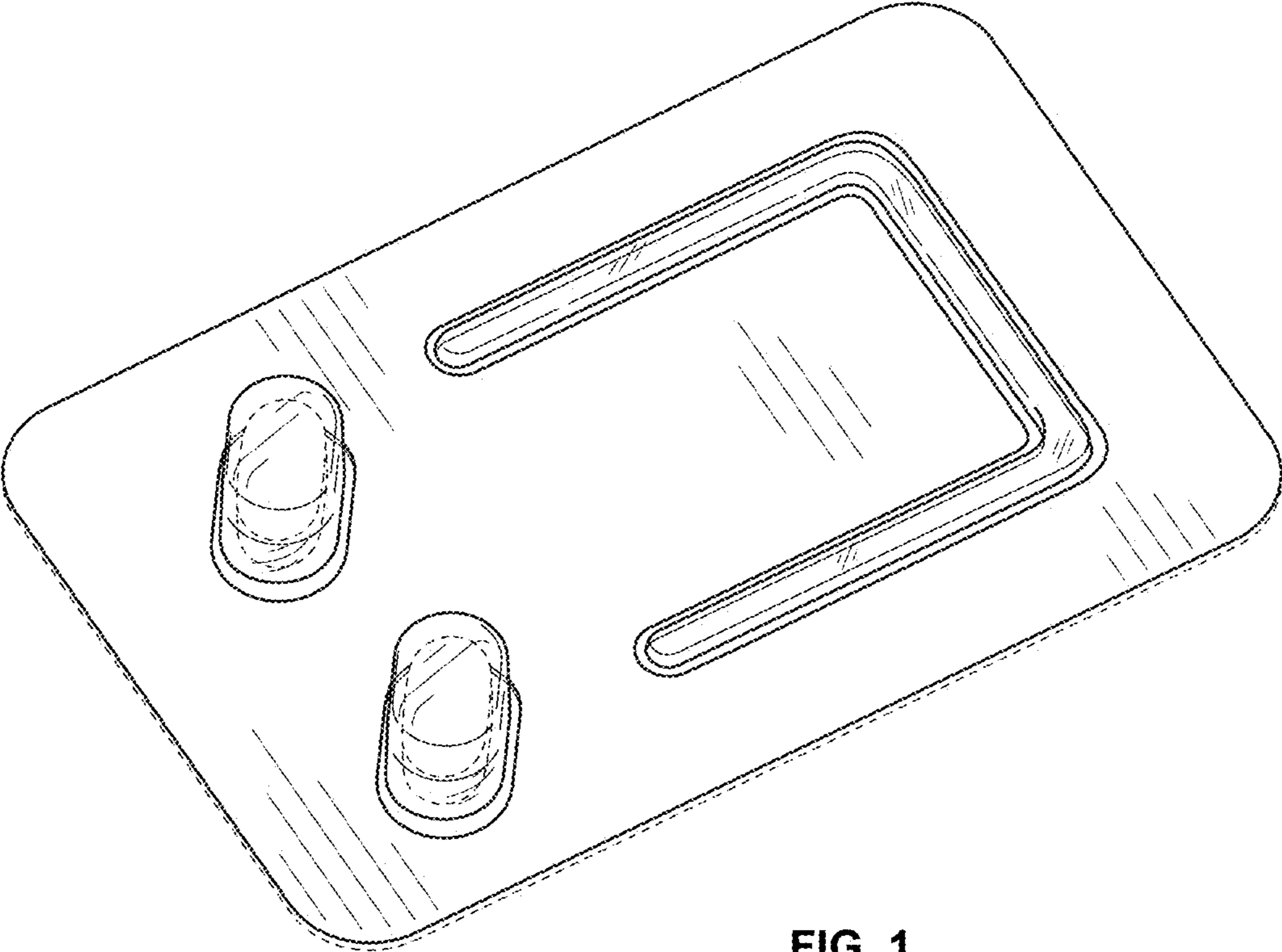


FIG. 1

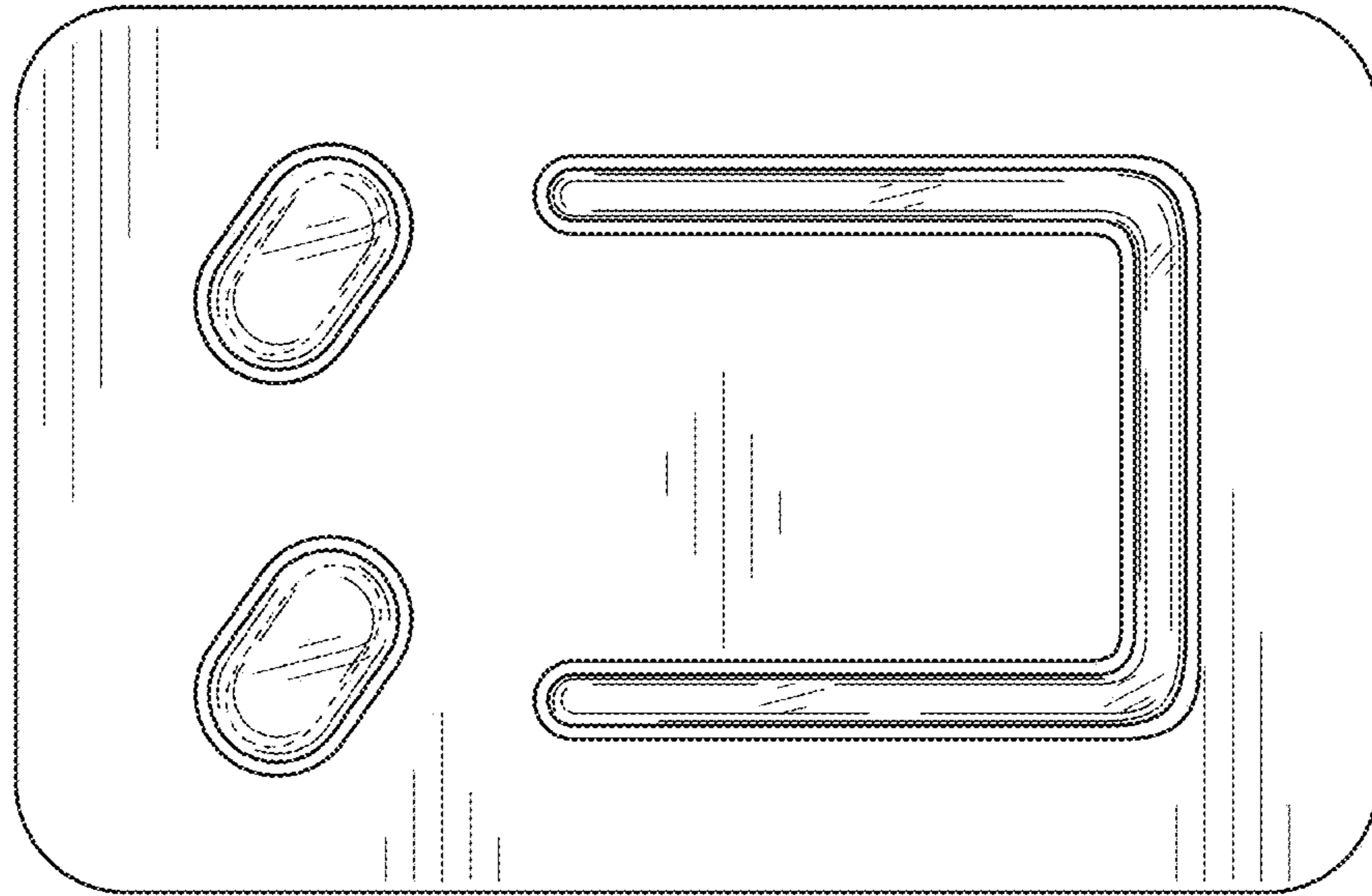


FIG. 2



FIG. 3

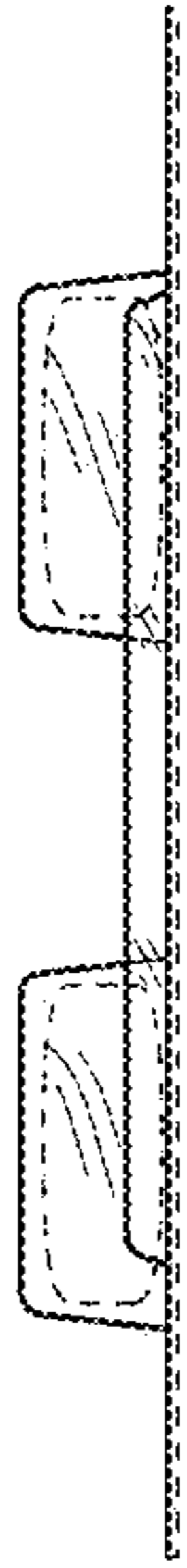


FIG. 4



FIG. 5

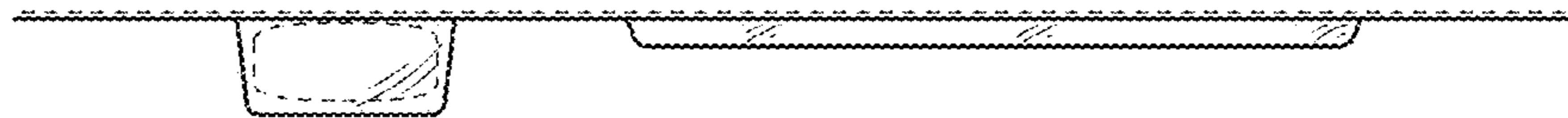


FIG. 6



FIG. 7