



US00D973503S

(12) **United States Design Patent** (10) **Patent No.:** **US D973,503 S**
Sullivan et al. (45) **Date of Patent:** **** Dec. 27, 2022**

(54) **GIFT BOX**

(71) Applicants: **Audrey Sullivan**, Conyers, GA (US);
Jonathan Sullivan, Conyers, GA (US)

(72) Inventors: **Audrey Sullivan**, Conyers, GA (US);
Jonathan Sullivan, Conyers, GA (US)

(**) Term: **15 Years**

(21) Appl. No.: **29/799,541**

(22) Filed: **Jul. 15, 2021**

(51) **LOC (13) Cl.** **09-03**

(52) **U.S. Cl.**

USPC **D9/632**; D9/663; D9/428

(58) **Field of Classification Search**

USPC D9/414, 419, 428, 600, 618, 619, 631,
D9/632, 635, 661, 663, 430, 432, 455,
D9/499; D2/865, 882, 886; D3/211,
D3/234, 270, 271.4

CPC B65D 85/36; B65D 25/00; A42B 1/00;
A42B 1/06

See application file for complete search history.

(56) **References Cited**

U.S. PATENT DOCUMENTS

D18,839 S * 1/1889 Bowers D9/632
D24,032 S * 2/1895 Tolman D9/632
D42,438 S * 4/1912 Mundheim D2/886
D48,246 S * 12/1915 Galitzki D2/886
D48,440 S * 1/1916 Galitzki D2/886
1,171,312 A * 2/1916 Galitzki A42B 1/14
2/175.8
D113,777 S * 3/1939 Worssam D9/632
2,758,458 A 8/1956 Carlson
3,402,807 A * 9/1968 Hatcher B65D 85/18
206/8
4,219,119 A 8/1980 Zefran
4,705,163 A * 11/1987 James A47G 19/26
220/301
5,397,051 A 3/1995 Liu

D371,451 S * 7/1996 Foray D2/886
D371,960 S 7/1996 Cheng
D373,078 S 8/1996 Cheng
D386,400 S * 11/1997 Lau D9/632
D396,552 S * 8/1998 Browne D3/211
D461,119 S * 8/2002 Hill D9/632
D464,261 S * 10/2002 Hereth D9/422
D489,097 S * 4/2004 Beckerman D21/453
6,736,632 B2 5/2004 Wolter

(Continued)

FOREIGN PATENT DOCUMENTS

CA 2692659 8/2010

OTHER PUBLICATIONS

Amazon.co.uk. Mossty Hat Shaped Ring Box. First available May 29, 2018. Visited Sep. 1, 2022. <https://www.amazon.co.uk/mossty-Earring-Jewelry-Proposal-Engagement/dp/B07DDC47Q5/> (Year: 2018).*

(Continued)

Primary Examiner — Darcey E Gottschalk
Assistant Examiner — Vanessa M. Pursley

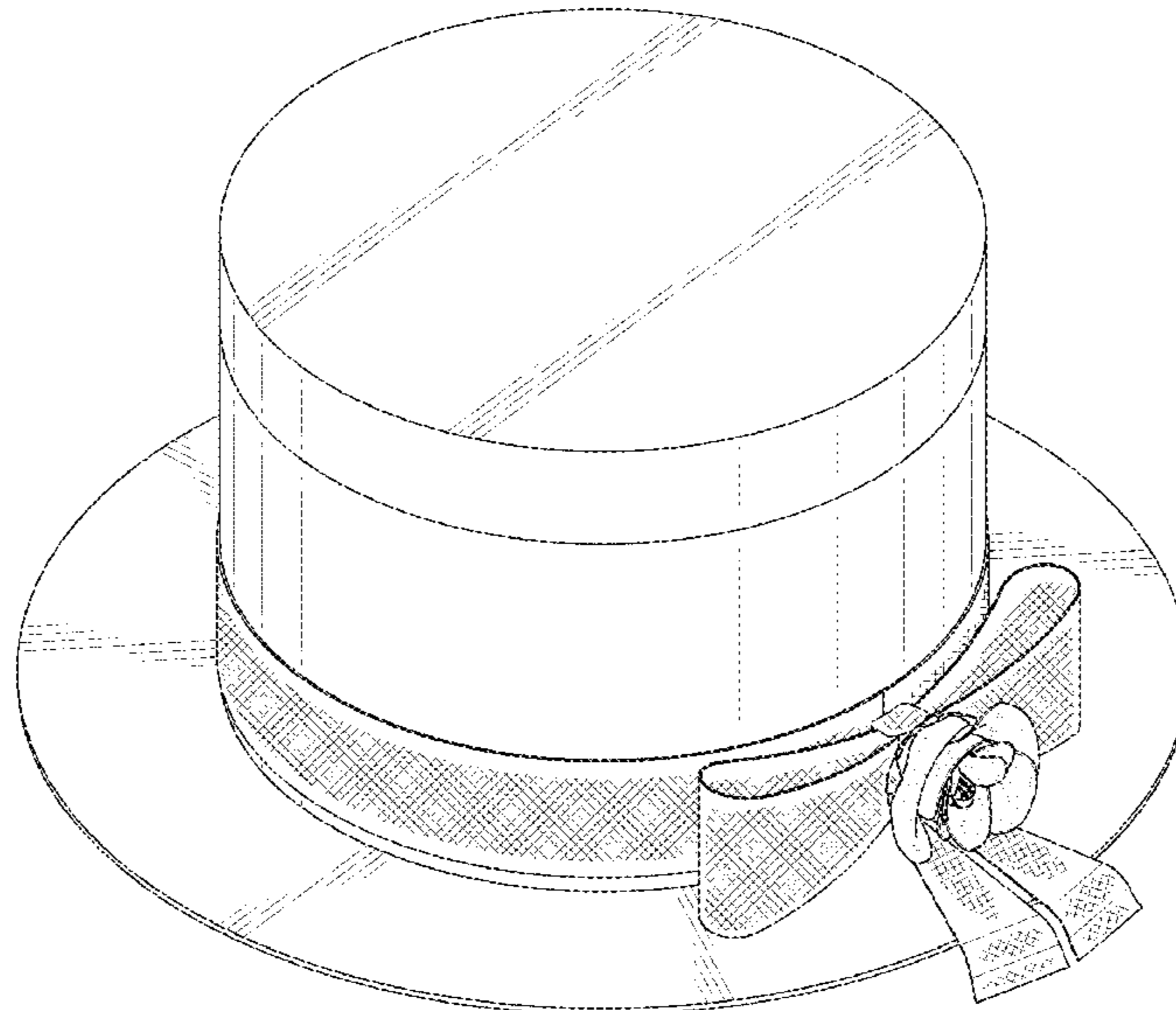
(57) **CLAIM**

The ornamental design for a gift box, as shown and described.

DESCRIPTION

FIG. 1 is a front view of a gift box showing our new design; FIG. 2 is a rear view of the gift box; FIG. 3 is a right side view of the gift box; FIG. 4 is a left side view of the gift box; FIG. 5 is a top view of the gift box; FIG. 6 is a bottom view of the gift box; and, FIG. 7 is a top front side perspective view of the gift box. In the drawings, the cross-hatched shading of the ribbon on the gift box indicates a contrast in appearance.

1 Claim, 7 Drawing Sheets



(56)

References Cited

U.S. PATENT DOCUMENTS

D518,955 S	4/2006	Van Dam	
D566,963 S *	4/2008	Staab	D3/903
D660,153 S *	5/2012	Mather	D9/635
D683,222 S *	5/2013	McGregor	D9/663
D689,369 S *	9/2013	Dumas	D9/663
D730,742 S *	6/2015	Glass	D9/635
D753,883 S *	4/2016	Monteparo	D28/91.1
D789,026 S *	6/2017	Graham	D1/115
D854,247 S *	7/2019	Passarello	D28/41
D892,460 S *	8/2020	Zhu	D2/866
D913,134 S *	3/2021	Atteberry	D3/211
D938,647 S *	12/2021	Earles	D1/115

OTHER PUBLICATIONS

Etsy. Christmas Gift Box Shaped Like a Top Hat. Listed Jun. 25, 2021. Visited Sep. 1, 2022. <https://www.etsy.com/listing/619618909/christmas-gift-box-shaped-like-a-top-hat> (Year: 2021).*

Etsy. Hat-Shaped Gift Box. Listed Jul. 8, 2022. Visited Sep. 1, 2022. <https://www.etsy.com/listing/1191974197/hat-shaped-gift-box> (Year: 2022).*

Ebay. Vintage Mary Engelbreit Decorative Hat Shaped Box. Publication date unavailable. Visited Sep. 1, 2022. <https://www.ebay.com/itm/194939117779> (Year: 0).*

Cool Cream Cotton Sunhat for Women. Listed Apr. 7, 2022. Visited Sep. 1, 2022. <https://www.etsy.com/listing/700848447/cool-cream-cotton-sunhat-for-women> (Year: 2022).*

Amazon. Women Straw Boater Hat. First available Mar. 8, 2022. Visited Sep. 1, 2022. https://www.amazon.com/dp/B09V2DXZFG/ref=twister_B09V2F1QDW?_encoding=UTF8&th=1 (Year: 2022).*

Jennifer Maker. Mini Top Hat Gift Box & Fascinator. Published Dec. 13, 2017 by "Jennifer". Visited Sep. 7, 2022. <https://jennifermaker.com/mini-top-hat-gift-box-fascinator/> (Year: 2017).*

Ebay. 6 Black and White Top Hat Favor Boxes Wedding Gift Box Jewelry Box Little Man. Last updated Jul. 6, 2021. Visited Sep. 7, 2022. <https://www.ebay.com/itm/111460458634> (Year: 2021).*

* cited by examiner

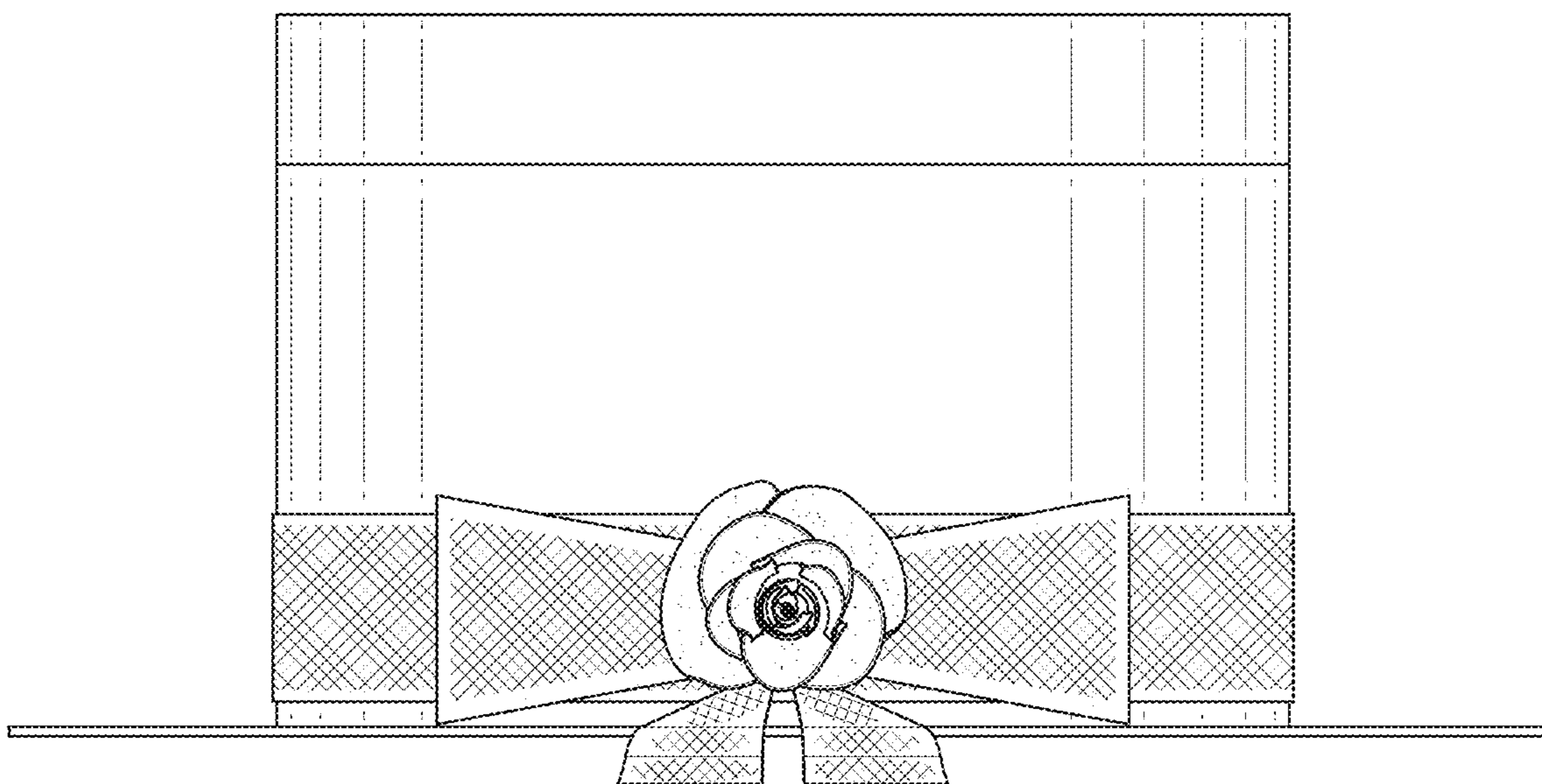


FIG. 1

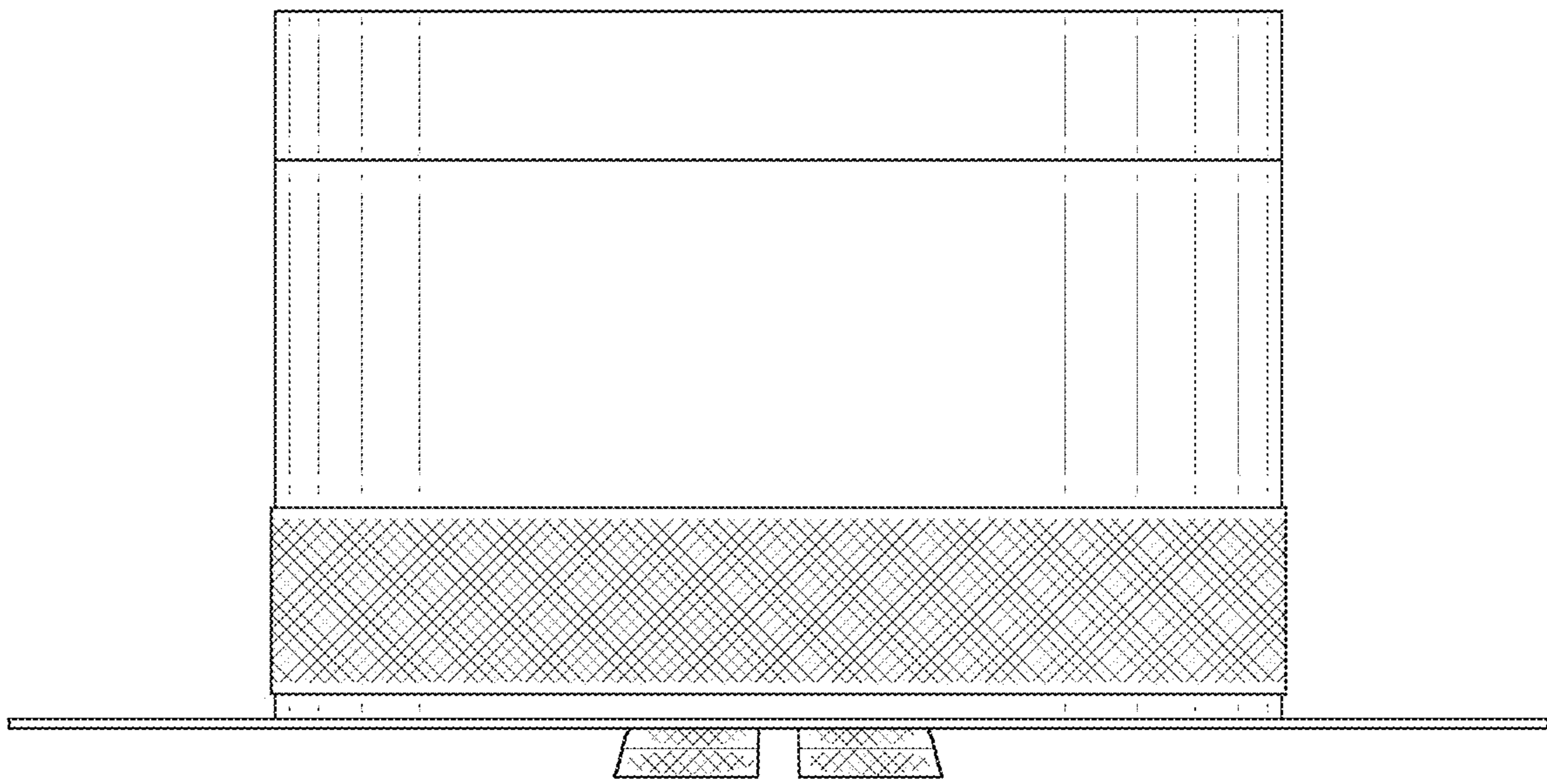


FIG. 2

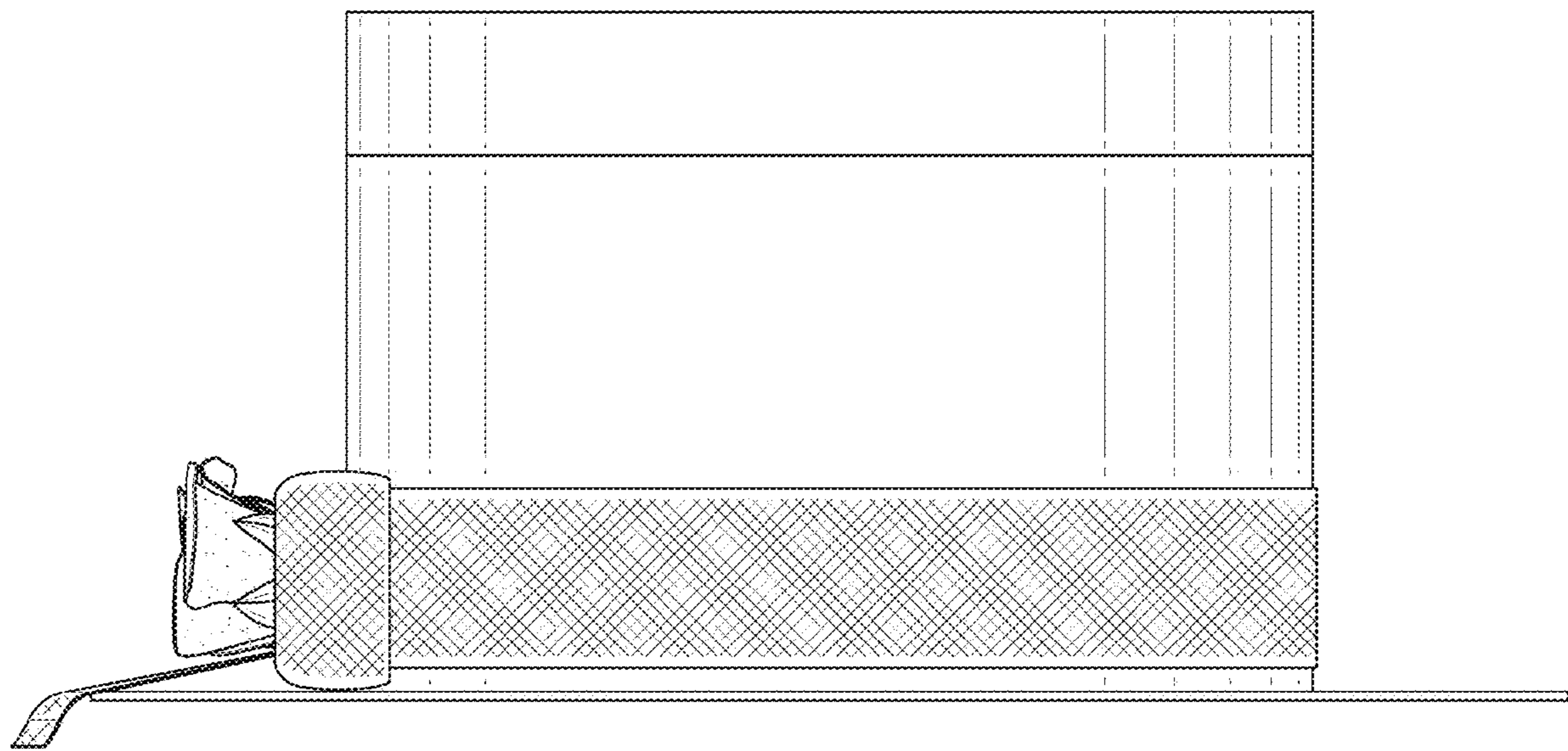


FIG. 3

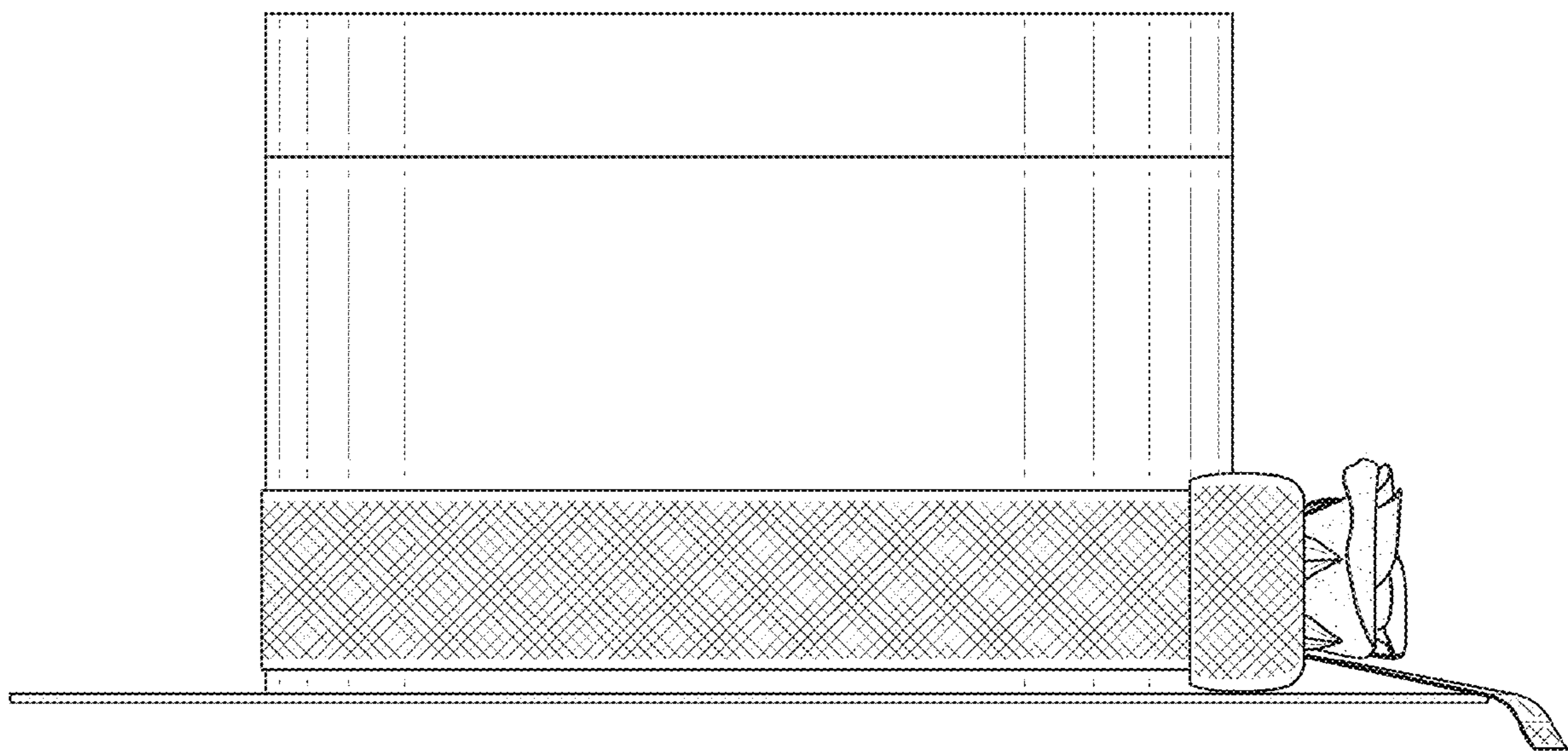


FIG. 4

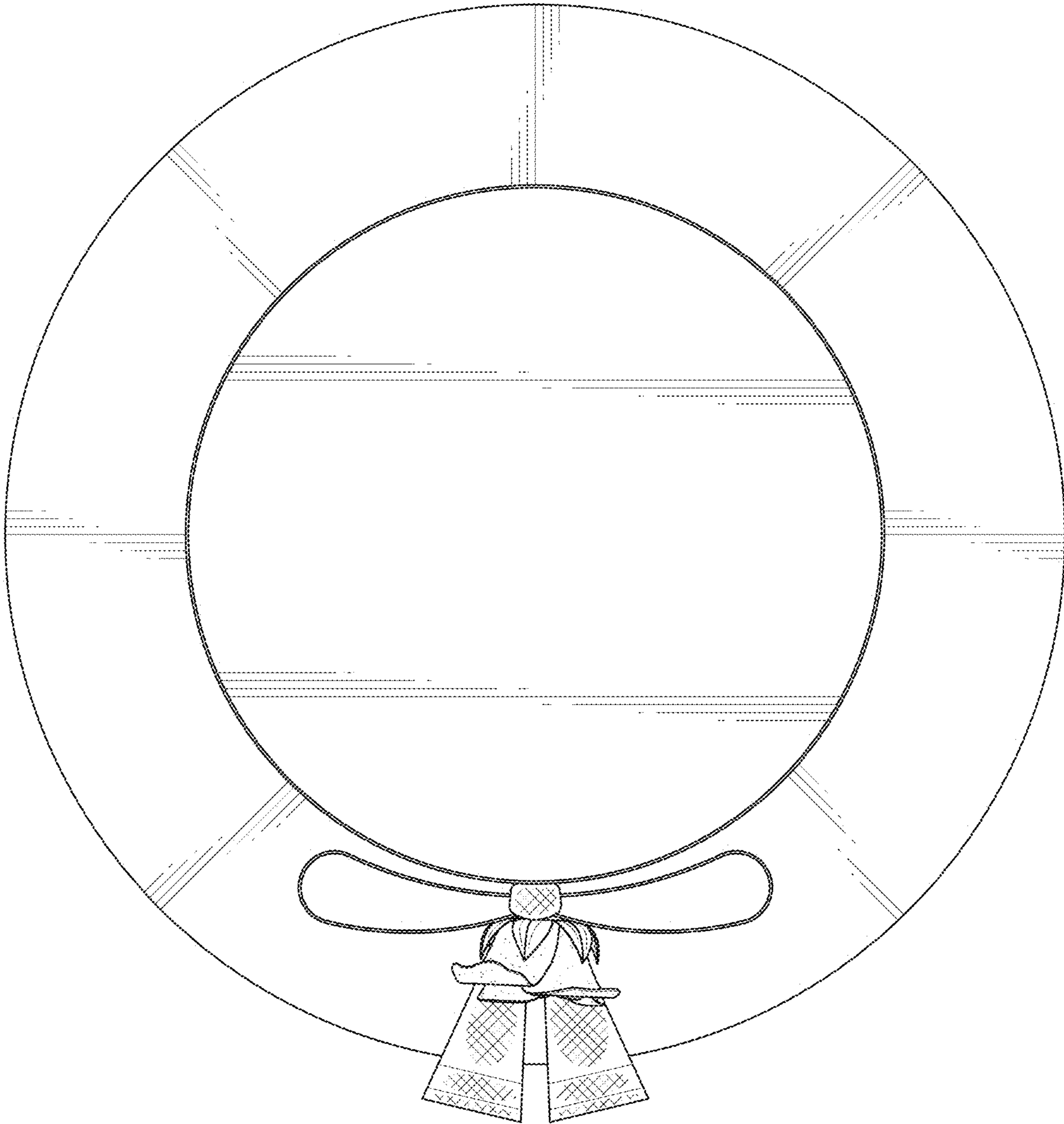


FIG. 5

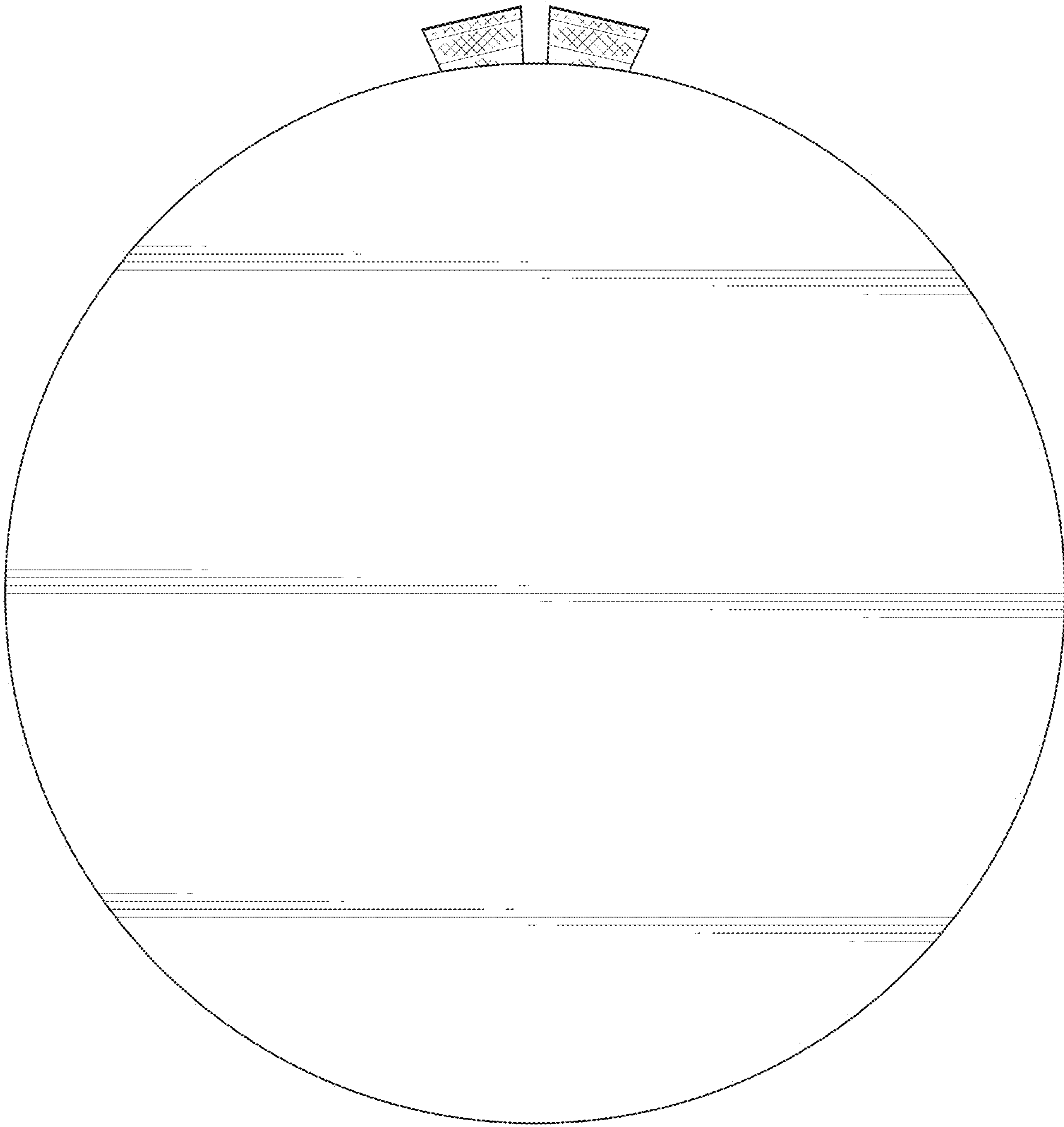


FIG. 6

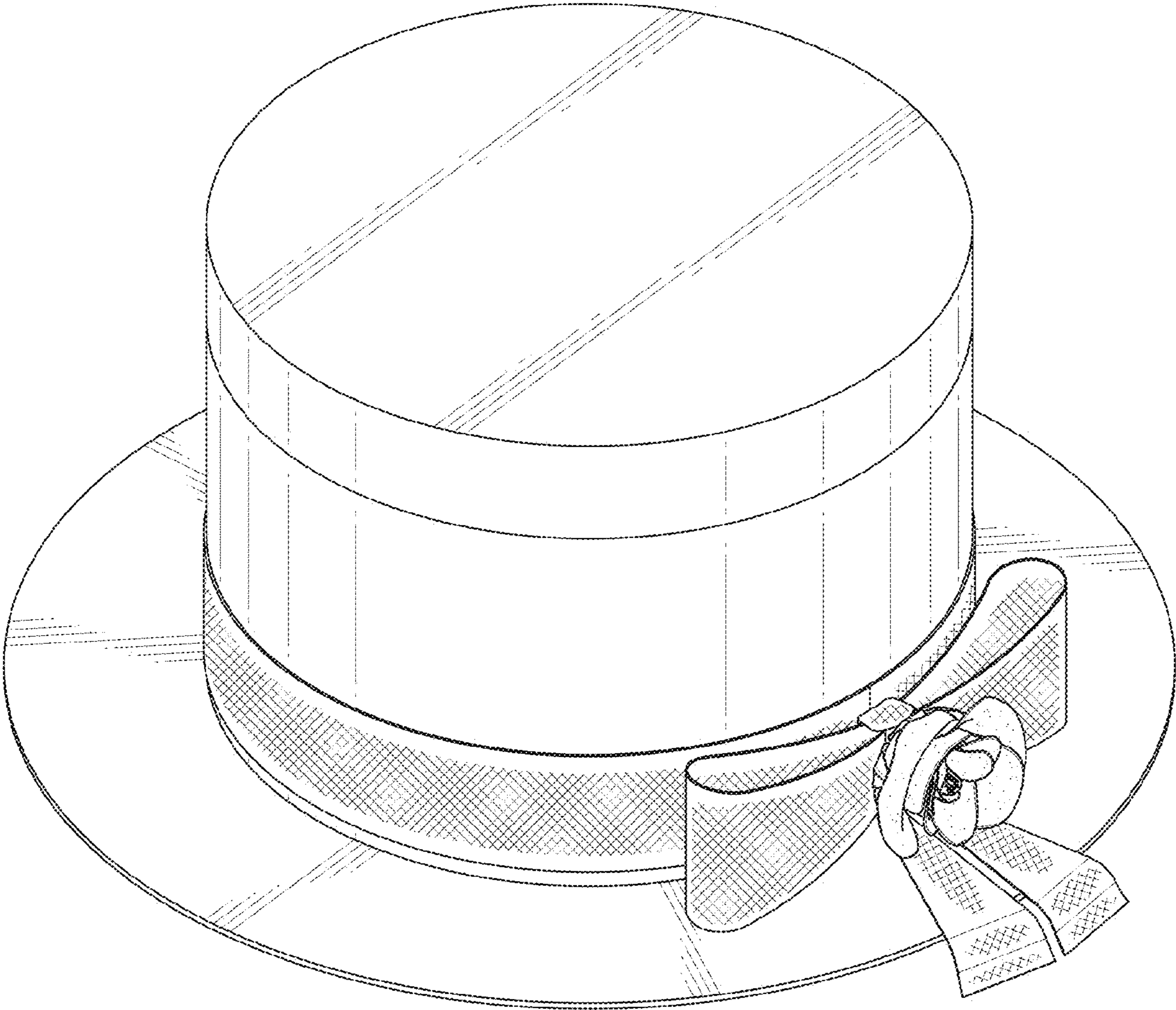


FIG. 7