



US00D973494S

(12) **United States Design Patent**
Levinson

(10) **Patent No.:** **US D973,494 S**

(45) **Date of Patent:** **** Dec. 27, 2022**

(54) **CONTAINER**

(71) Applicant: **Acme Plastics, Inc.**, Woodland Park, NJ (US)

(72) Inventor: **Jared Levinson**, Woodland Park, NJ (US)

(73) Assignee: **ACME PLASTICS, INC.**, Woodland Park, NJ (US)

(**) Term: **15 Years**

(21) Appl. No.: **29/714,603**

(22) Filed: **Dec. 2, 2019**

(51) **LOC (13) Cl.** **09-01**

(52) **U.S. Cl.**

USPC **D9/549**; D27/172

(58) **Field of Classification Search**

USPC D9/500–505, 529, 547, 548, 549, 550, D9/556, 557, 558, 573, 575, 428, 445, D9/518, 551, 563, 564, 520, 449, 718, D9/724, 754, 686, 688, 690, 682, 684, D9/692, 448, 689, 697, 560, 687, 694, D9/691, 516, 519, 521, 522, 544, 574, D9/668; D3/203.2; D18/56; D28/85, D28/58; D27/172, 175, 176, 183, 189, D27/190, 191

CPC .. B65D 1/0223; B65D 83/205; B65D 1/0246; A45D 34/045

See application file for complete search history.

(56) **References Cited**

U.S. PATENT DOCUMENTS

3,656,840	A	4/1972	Smith et al.	
D226,063	S *	1/1973	Warnberg	D9/503
6,013,524	A	1/2000	Friars et al.	
D480,307	S *	10/2003	Canamasas Puigbo	D9/504
D493,721	S *	8/2004	Puigbo	D9/504
D595,578	S *	7/2009	Del Tedesco Zamberlan	D9/504
8,544,208	B2	10/2013	Huang	
D719,829	S *	12/2014	Ferber	D9/503

D778,718	S	2/2017	Smith et al.
9,630,747	B2	4/2017	Smith et al.
D833,268	S	11/2018	Werth
D855,449	S	8/2019	Smith et al.
10,384,834	B2	8/2019	Smith et al.
D859,894	S	9/2019	Smith et al.

(Continued)

FOREIGN PATENT DOCUMENTS

CN 305340682 * 9/2019

Primary Examiner — Brett Miller

Assistant Examiner — Rani J Abdallah

(74) *Attorney, Agent, or Firm* — Greenberg Traurig, LLP

(57) **CLAIM**

The ornamental design for a container, as shown and described.

DESCRIPTION

FIG. 1 is a perspective view of an embodiment of a container;

FIG. 2 is a front elevational view thereof;

FIG. 3 is a rear elevational view thereof;

FIG. 4 is a left side elevational view thereof;

FIG. 5 is a right side elevational view thereof;

FIG. 6 is a top plan view thereof;

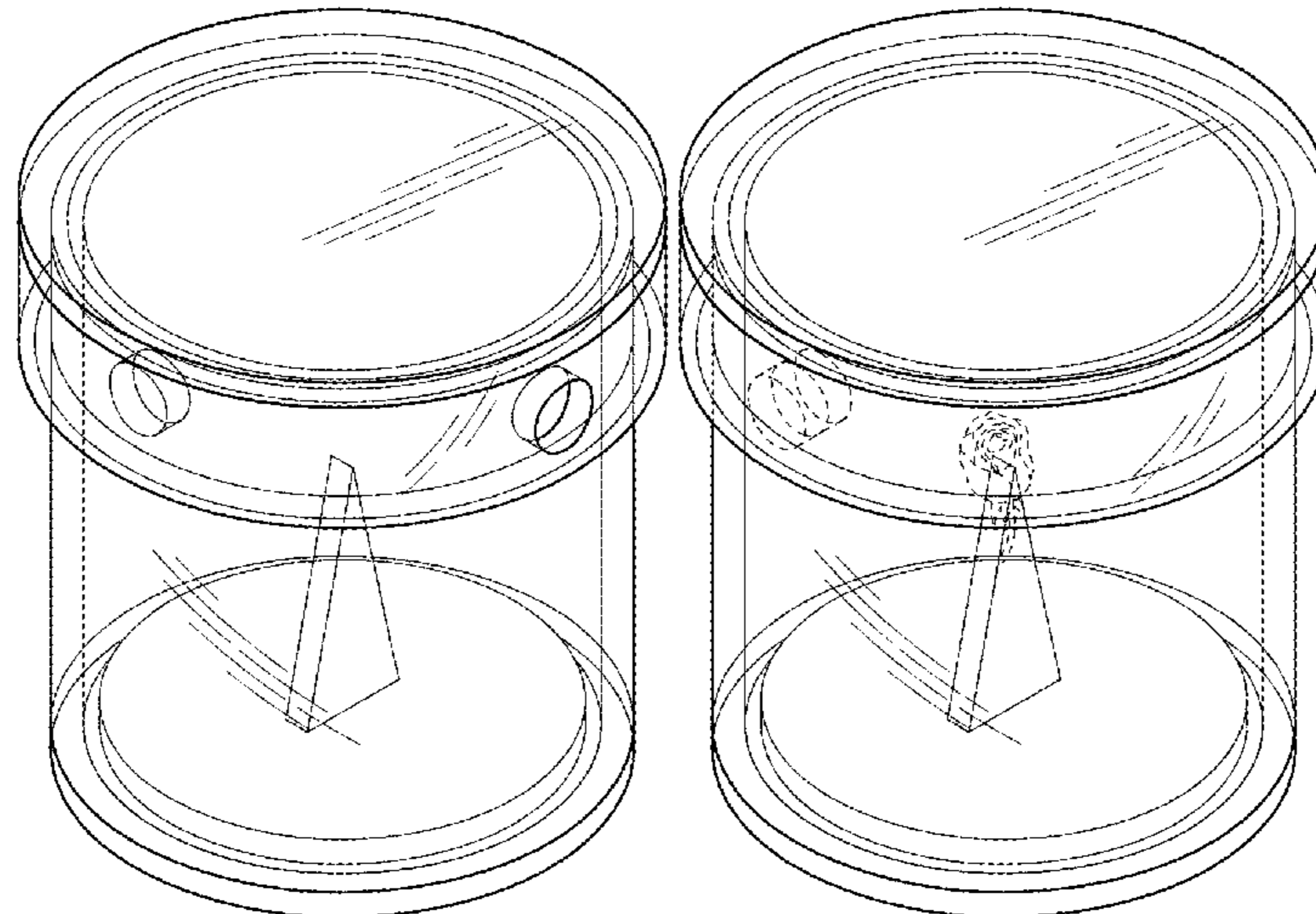
FIG. 7 is a bottom plan view thereof;

FIG. 8 is a perspective view of the container shown in FIG. 1, but with a cap employed by the container being shown in a 90-degree rotated position relative to a receptacle employed by the container; and,

FIG. 9 is a perspective view of another embodiment of a container, with apertures located within the cap and the receptacle, as well as sample contents displayed within the container.

The broken lines shown illustrate portions of the container that form no part of the claimed design.

1 Claim, 5 Drawing Sheets



(56)

References Cited

U.S. PATENT DOCUMENTS

D878,120 S 3/2020 Smith et al.
D915,798 S 4/2021 Smith et al.

* cited by examiner

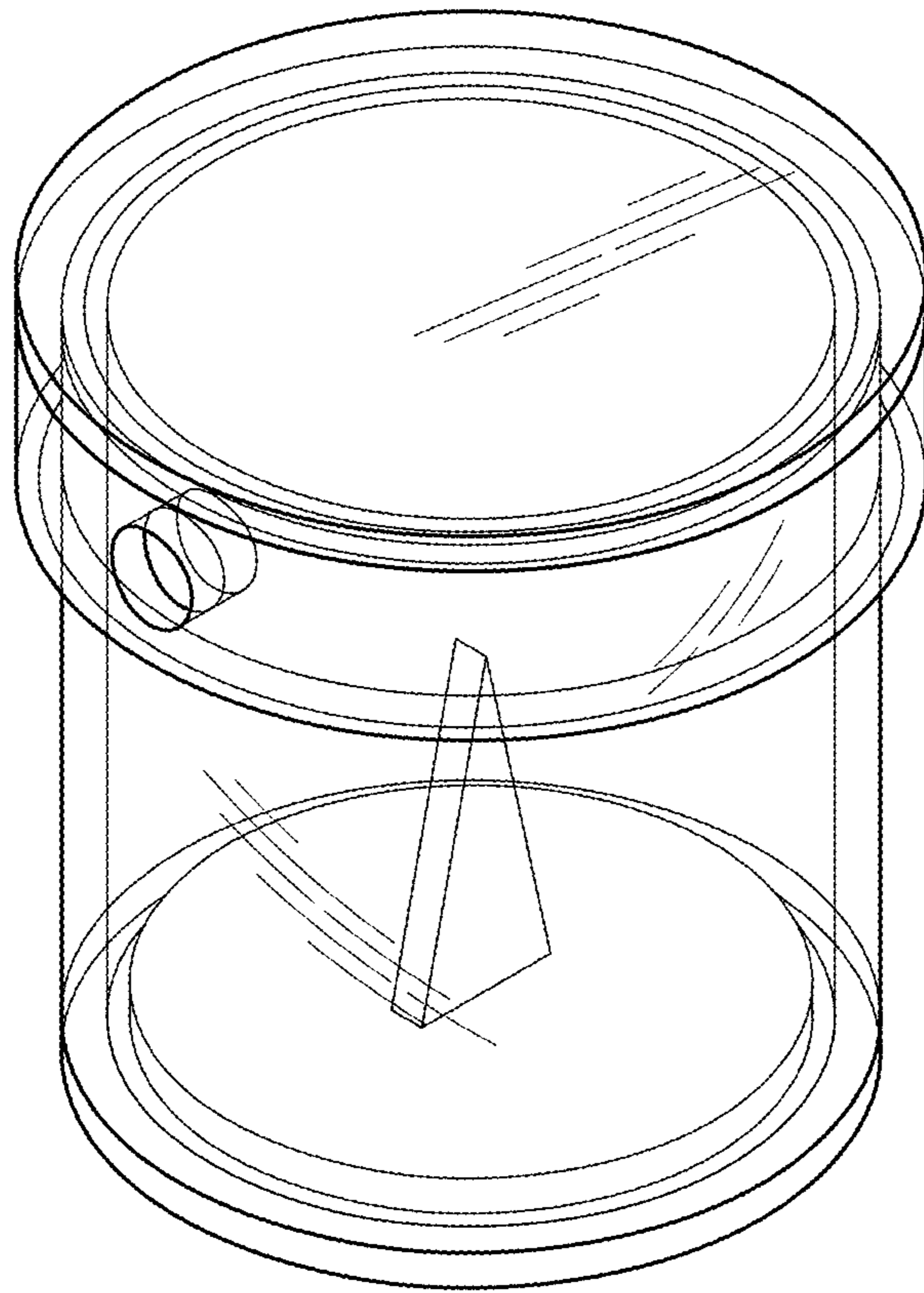


FIG. 1

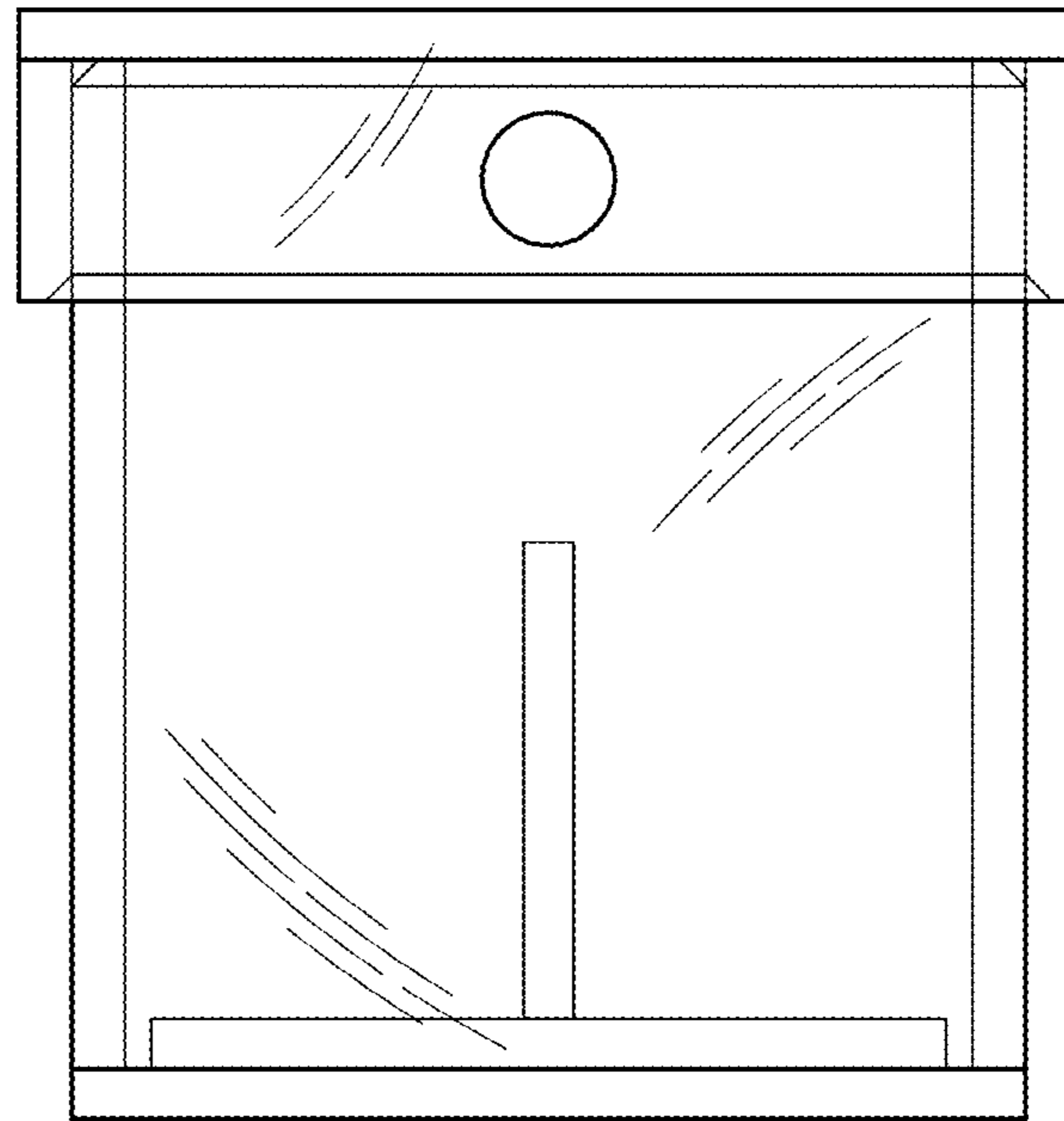


FIG. 2

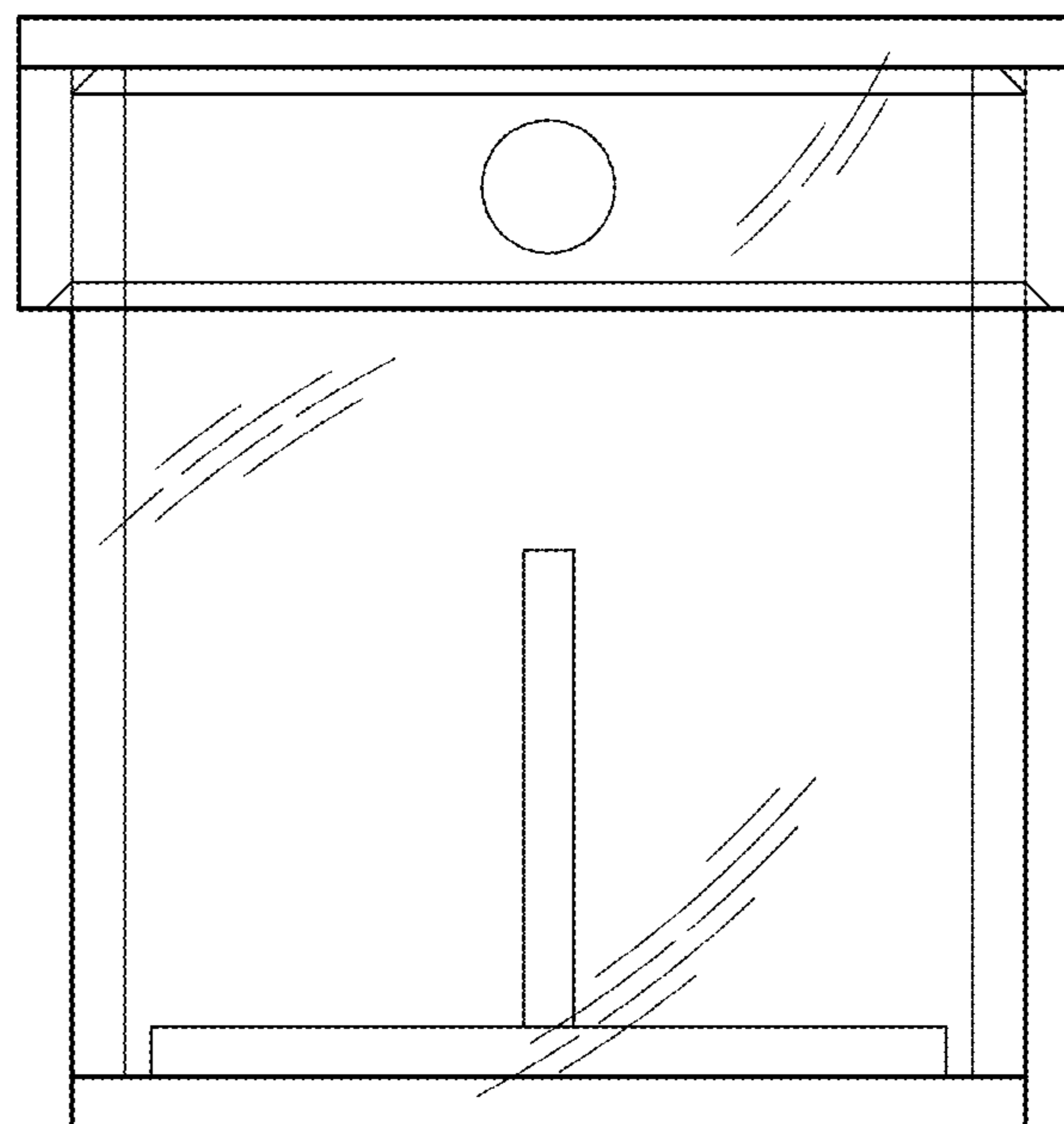


FIG. 3

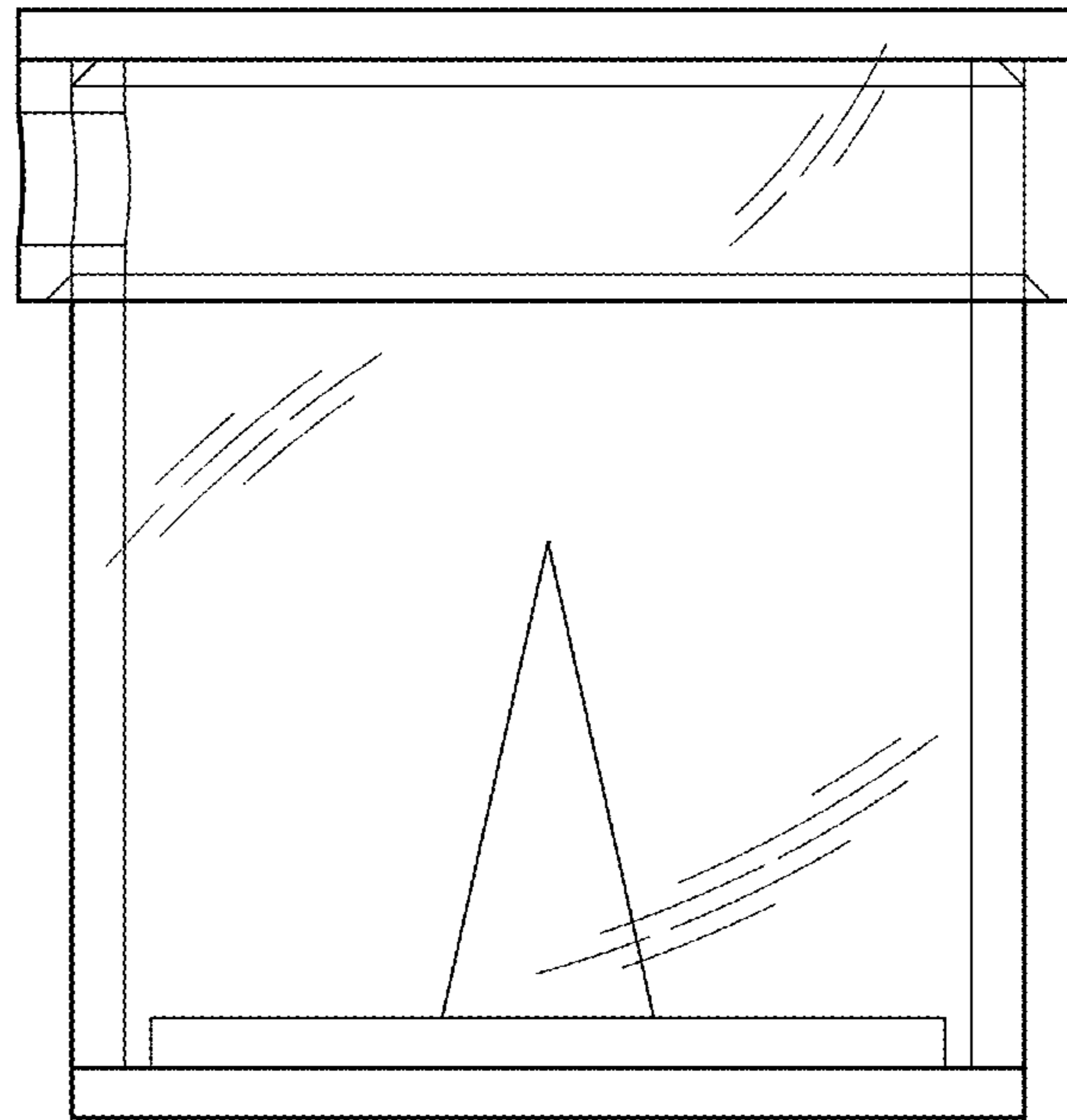


FIG. 4

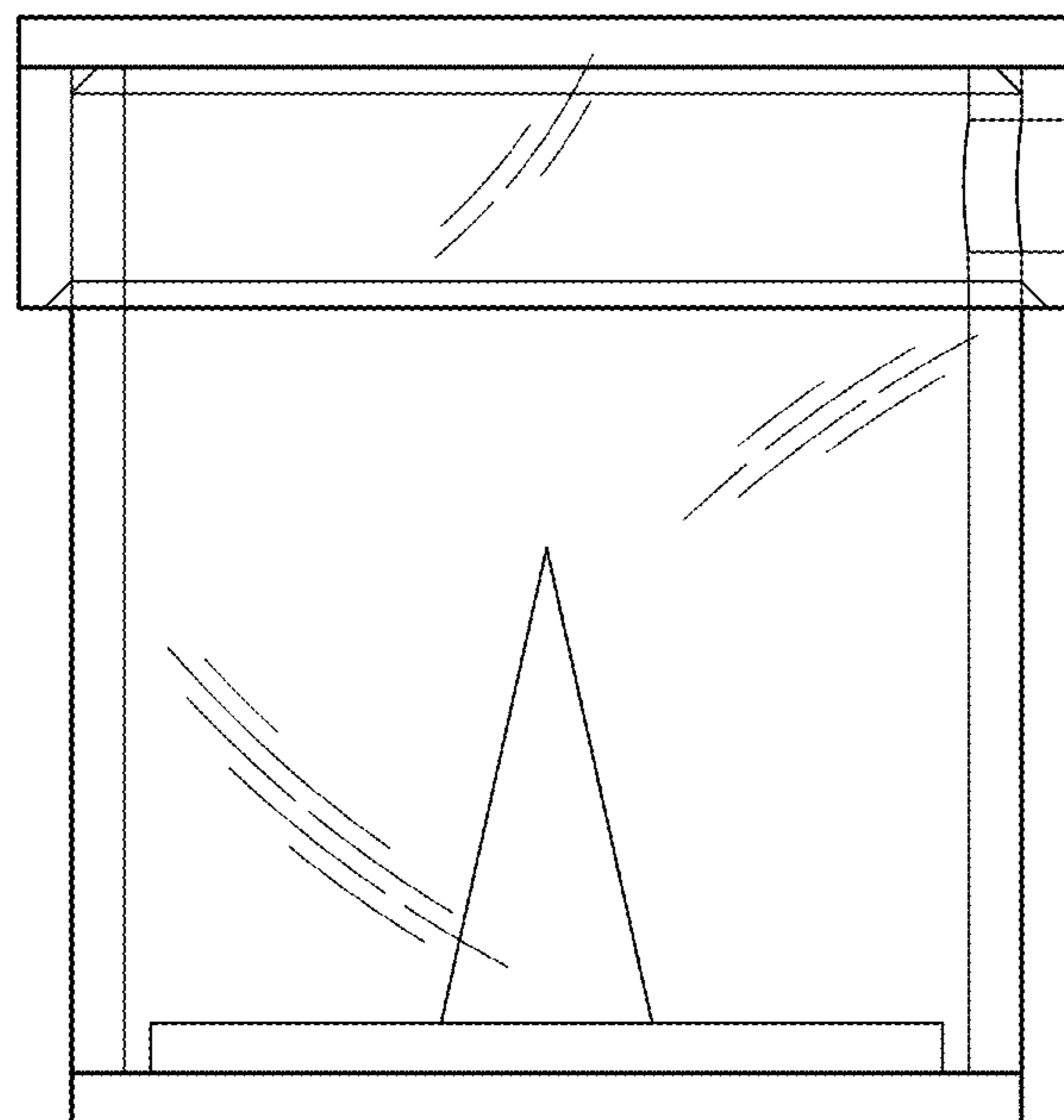


FIG. 5

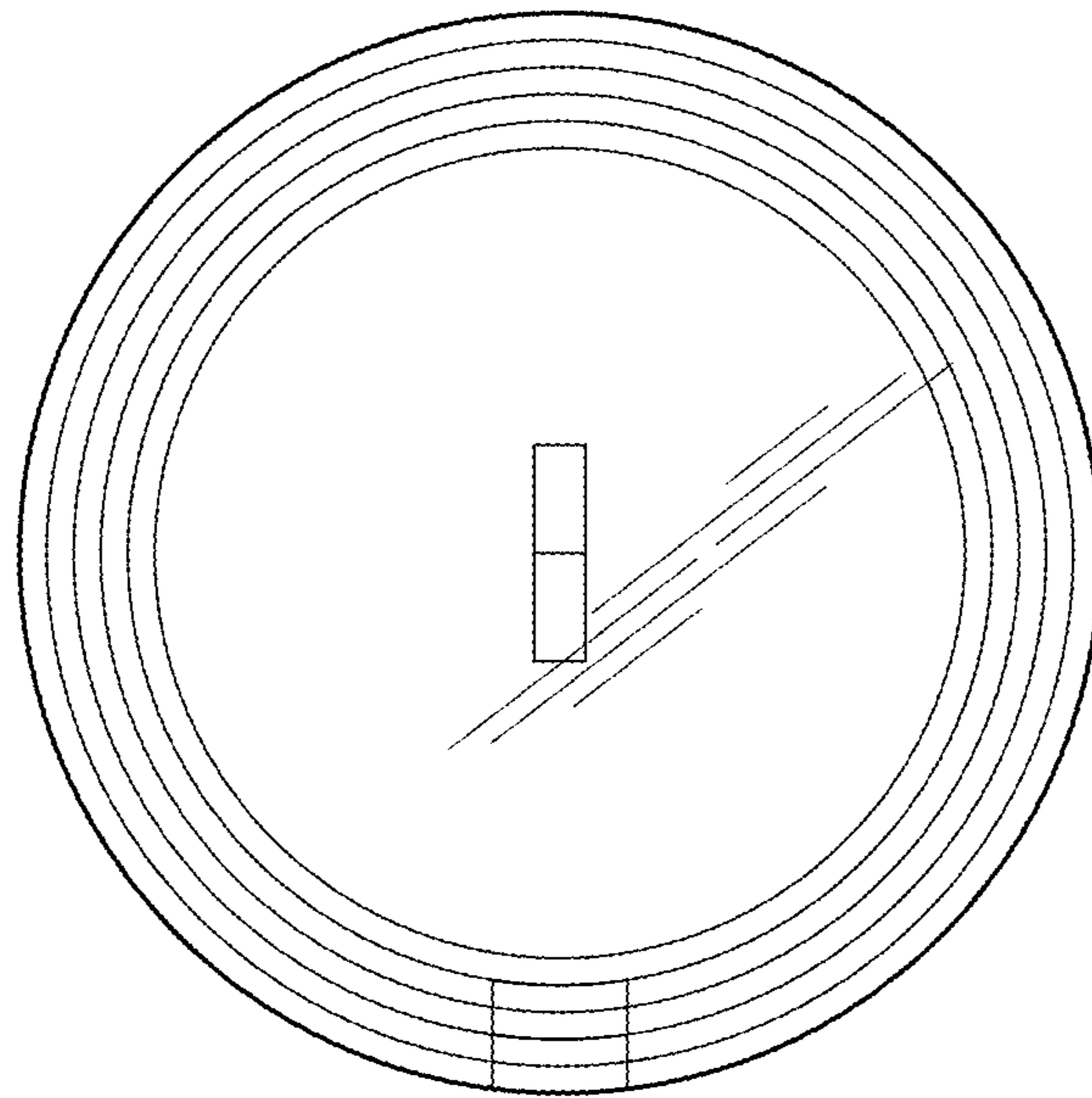


FIG. 6

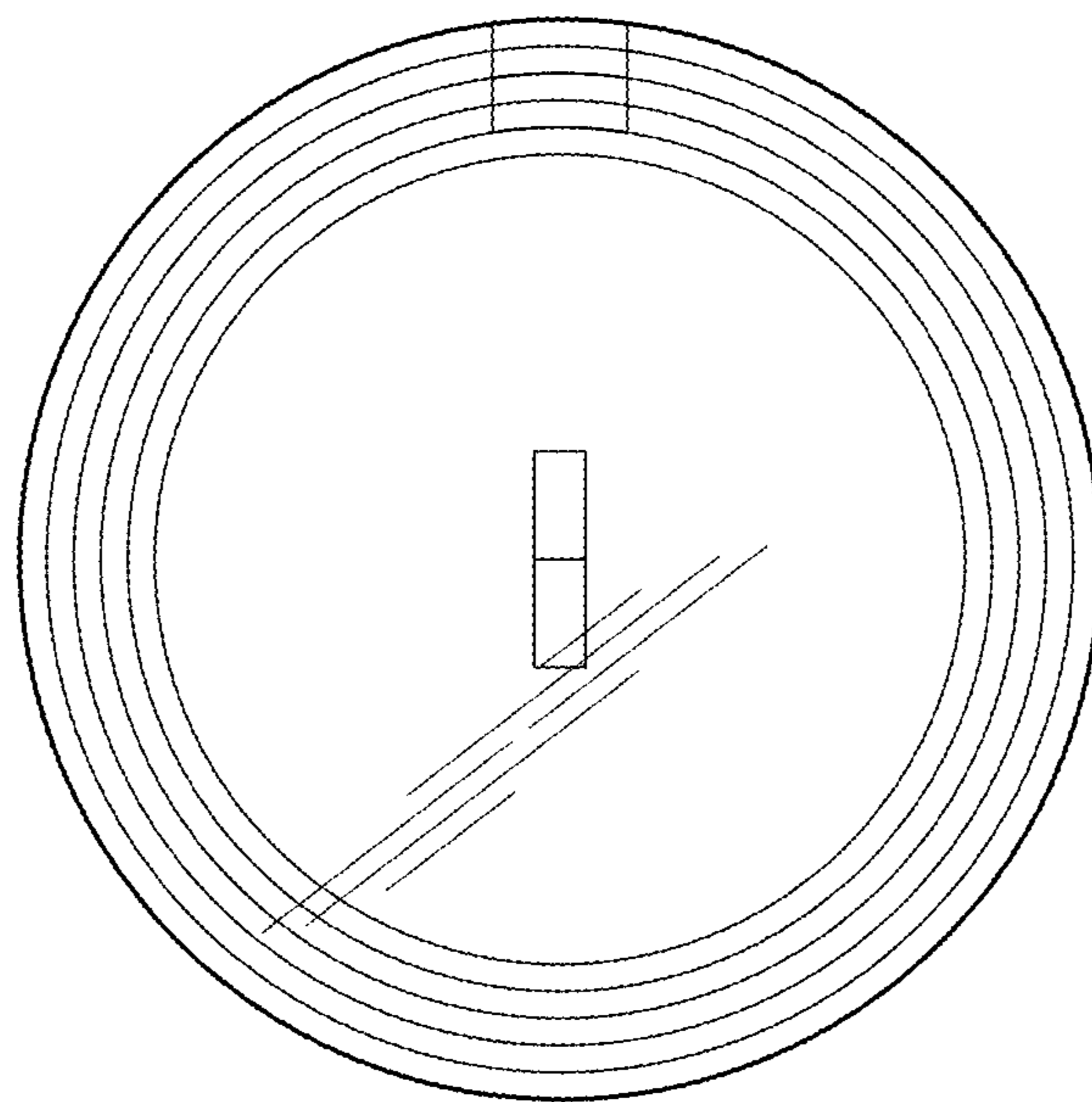


FIG. 7

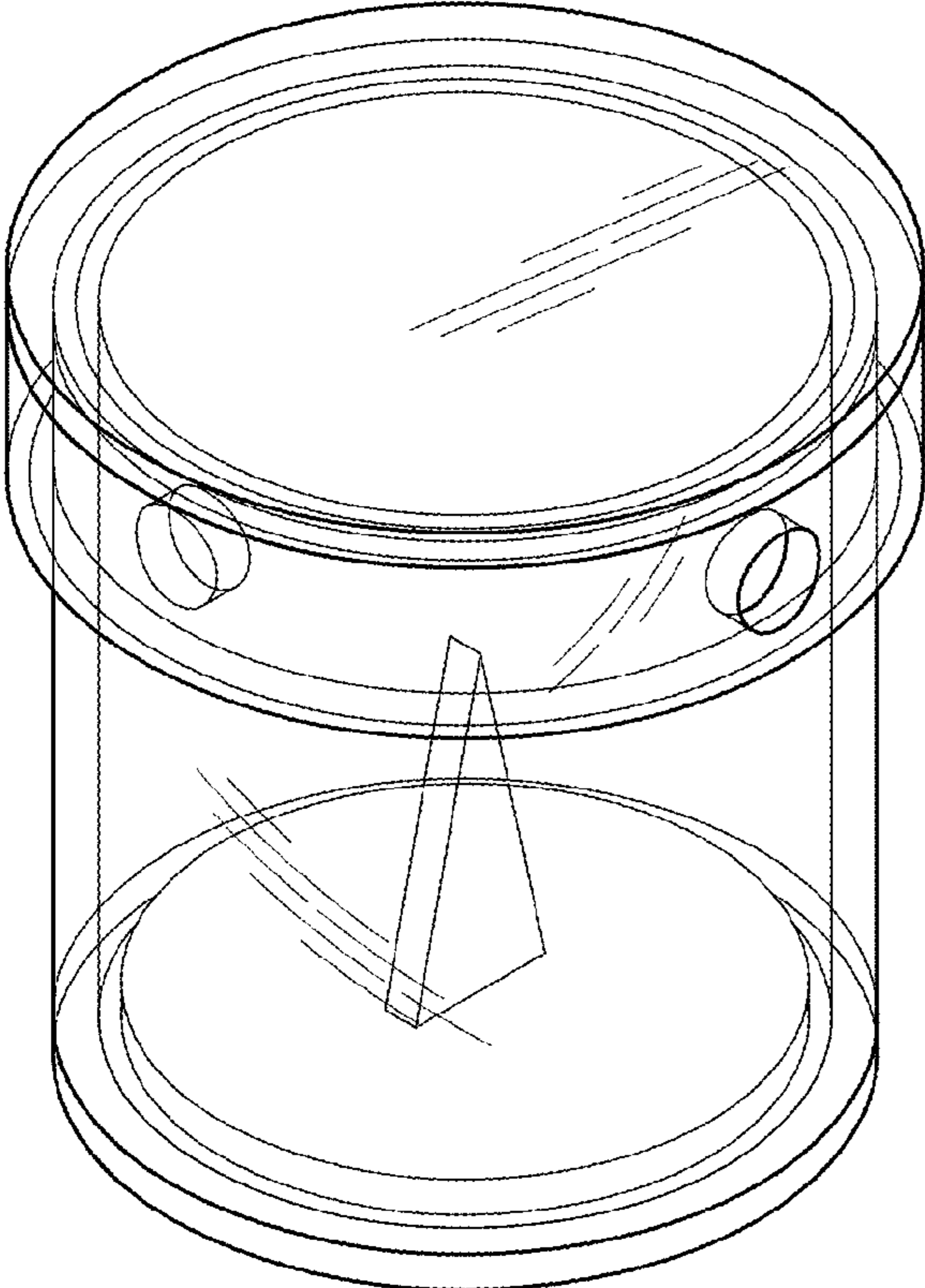


FIG. 8

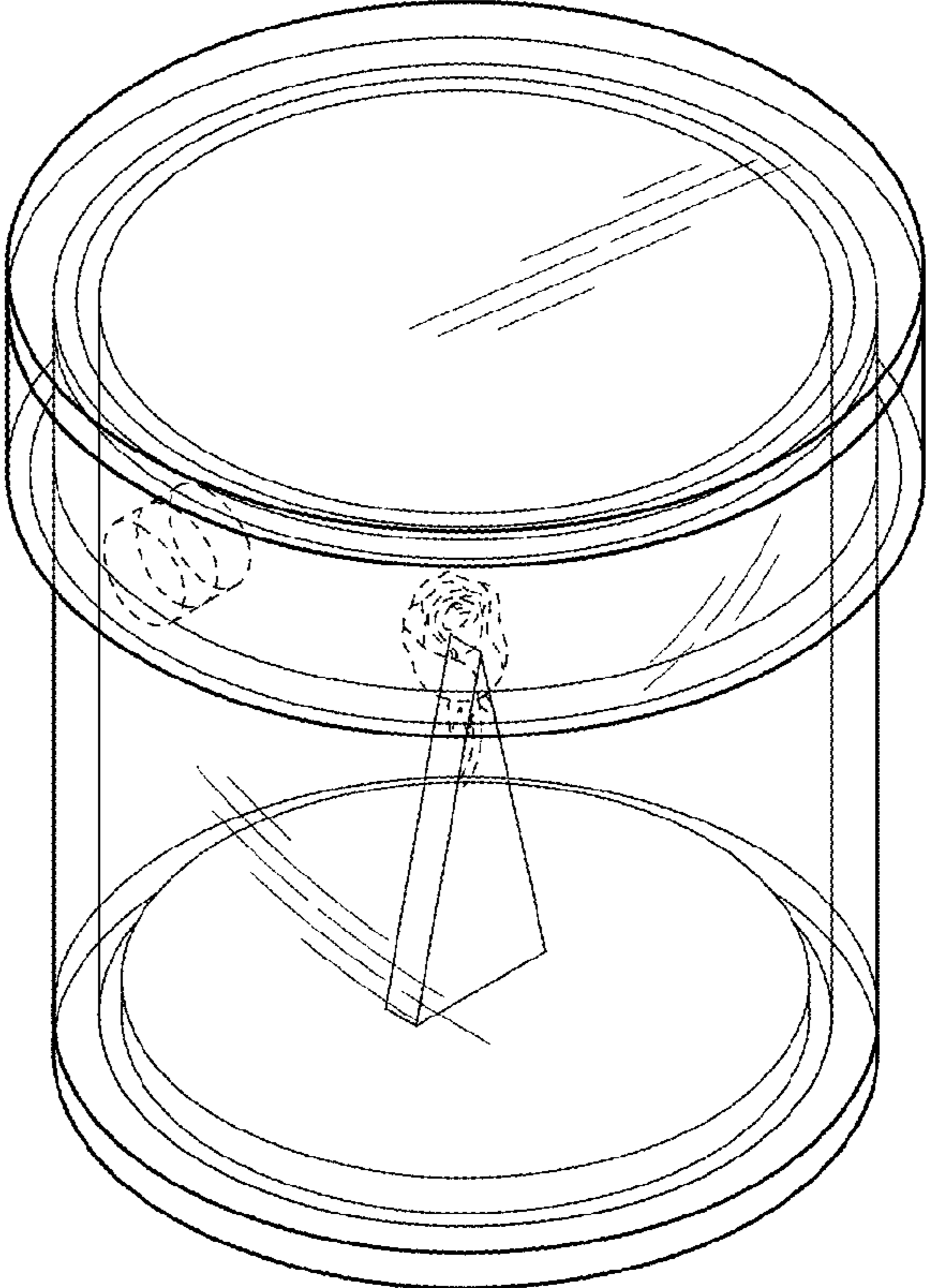


FIG. 9