

US00D973487S

(12) **United States Design Patent** (10) **Patent No.:** **US D973,487 S**
Brown et al. (45) **Date of Patent:** **** Dec. 27, 2022**

(54) **CONTAINER**
(71) Applicant: **Pinnpack Packaging, LLC**, Oxnard, CA (US)
(72) Inventors: **Dean Brown**, Oxnard, CA (US); **Ira Maroofian**, Oxnard, CA (US)
(73) Assignee: **PINPACK CAPITAL HOLDINGS LLC**, Oxnard, CA (US)

D449,522 S * 10/2001 Brown D9/425
D737,106 S * 8/2015 Goodman D7/610
D762,387 S * 8/2016 Green D3/304
D832,577 S * 11/2018 Ogilvie D3/304
D910,312 S * 2/2021 Reinhart D3/304
D928,605 S * 8/2021 Brown D9/425
D929,220 S * 8/2021 Brown D9/425
D937,081 S * 11/2021 Yamane D9/425

(**) Term: **15 Years**

(21) Appl. No.: **29/785,415**

(22) Filed: **May 25, 2021**

(51) **LOC (13) Cl.** **09-03**

(52) **U.S. Cl.**
USPC **D9/425**

(58) **Field of Classification Search**
USPC D3/304, 306, 308-312, 314, 315;
D6/512, 525, 672, 675; D7/400, 601,
D7/608; D9/416, 417, 420, 425-429,
D9/430, 432, 761
CPC B65D 5/46072; B65D 5/243; B65D
81/3813; B65D 1/00; B65D 1/22; B65D
1/26; B65D 1/34; B65D 1/36; B65D
1/38; B65D 1/40; B65D 7/14; B65D
81/3453; B65D 2581/34; B65D
2581/3404; B65D 2581/3456

See application file for complete search history.

(56) **References Cited**

U.S. PATENT DOCUMENTS

D197,993 S * 4/1964 Mojonier D9/569
3,326,408 A * 6/1967 Ringlen B65D 43/021
426/106
D392,881 S * 3/1998 Bulcher D9/425
D427,770 S * 7/2000 Conti D3/304
D446,719 S * 8/2001 Garraway D9/425

FOREIGN PATENT DOCUMENTS

CA 57131 * 9/1986

OTHER PUBLICATIONS

D&W Fine Pack G95, posted at Amazon.com, first available Oct. 17, 2017, retrieved Sep. 20, 2022, online, https://www.amazon.com/Fine-Pack-Black-Sheet-Display/dp/B01JH4HHLO/ref=sr_1_6?keywords=sheet+cake+container&qid=1663709361&sr=8-6 (Year: 2017).*

(Continued)

Primary Examiner — Mary Shannon Malley
Assistant Examiner — Dustin Andrew Griffith
(74) *Attorney, Agent, or Firm* — Michael R Shevlin

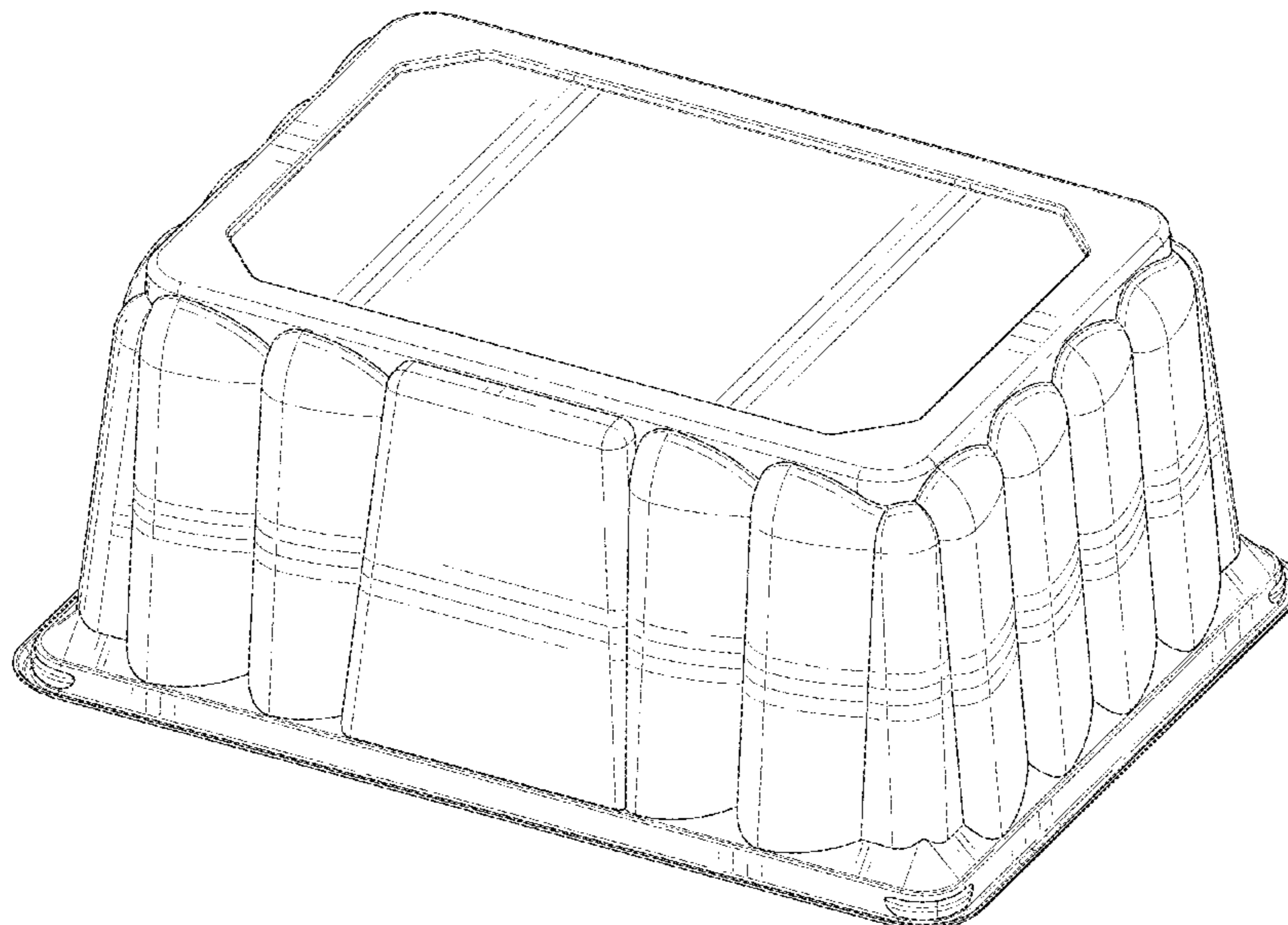
(57) **CLAIM**

The ornamental design for a container, as shown and described.

DESCRIPTION

FIG. 1 is a perspective view of a container showing our new design;
FIG. 2 is a front view thereof;
FIG. 3 is a rear view thereof;
FIG. 4 is a right side view thereof;
FIG. 5 is a left side view thereof;
FIG. 6 is a top view thereof; and,
FIG. 7 is a bottom view thereof.

1 Claim, 7 Drawing Sheets



(56)

References Cited

OTHER PUBLICATIONS

Pactiv Showcake APET, posted at Amazon.com, first available Mar. 19, 2018, retrieved Sep. 20, 2022, online, https://www.amazon.com/Pactiv-Showcake-Plastic-Rectangle-Container/dp/B07BK8MH2C/ref=sr_1_9?crid=2EHQ30480X6VE&keywords=rectangle+%E2%80%A6 (Year: 2018).*

Wow Plastics Inc. Cake Container, posted at Amazon.com, first available May 24, 2017, retrieved Sep. 20, 2022, online, https://www.amazon.com/Wow-Plastics-Inc-Cake-Container/dp/B08W9V12Y7/ref=sr_1_7?crid=1WIXVS5E7ADVH&keywords=plastic+sheet+cake+co+%E2%80%A6 (Year: 2017).*

* cited by examiner

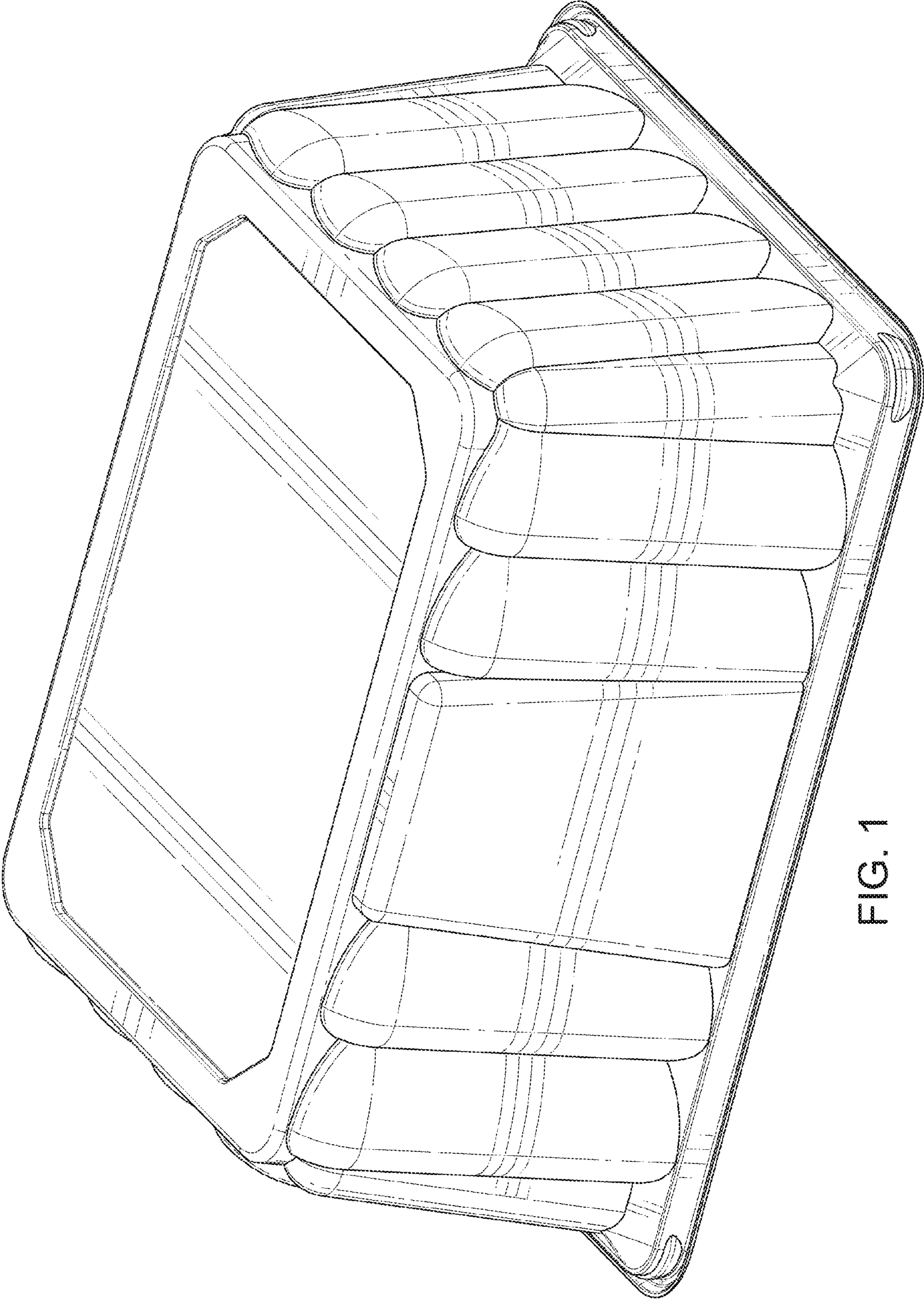


FIG. 1

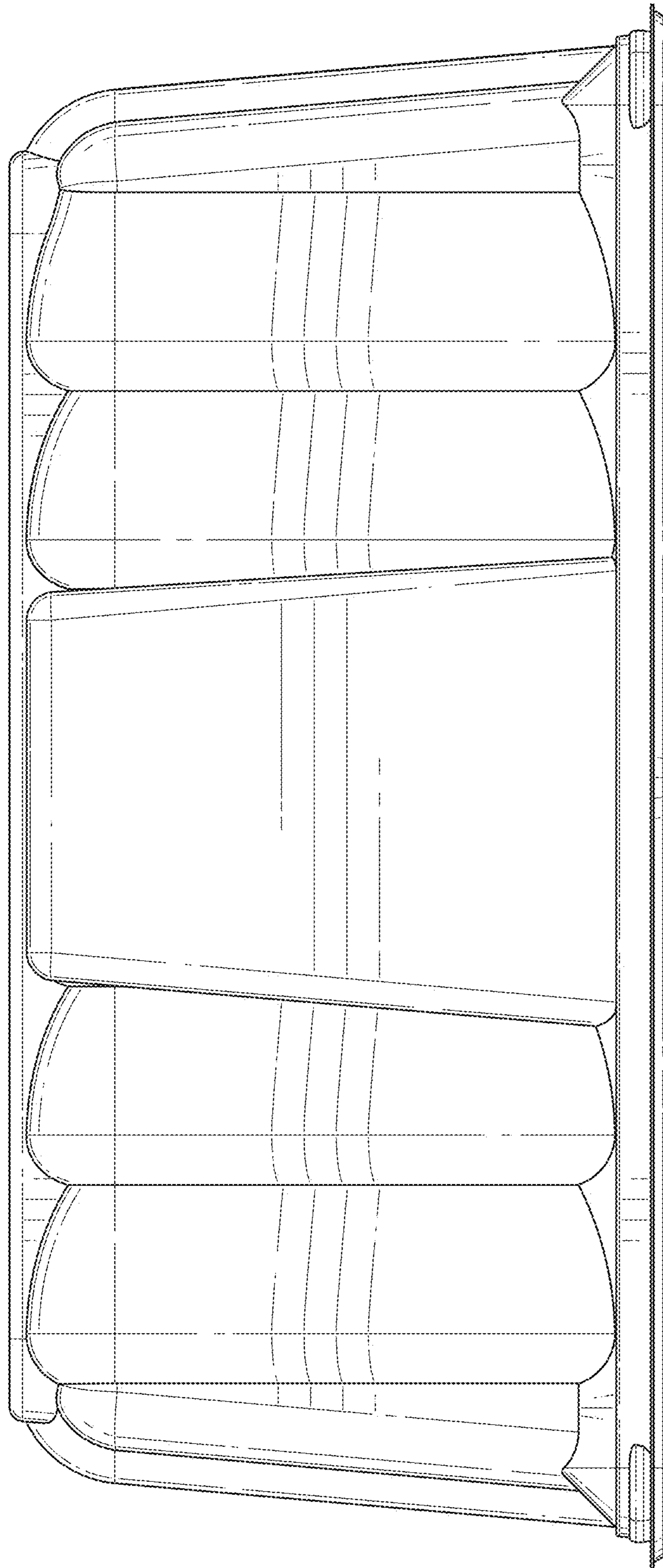


FIG. 2

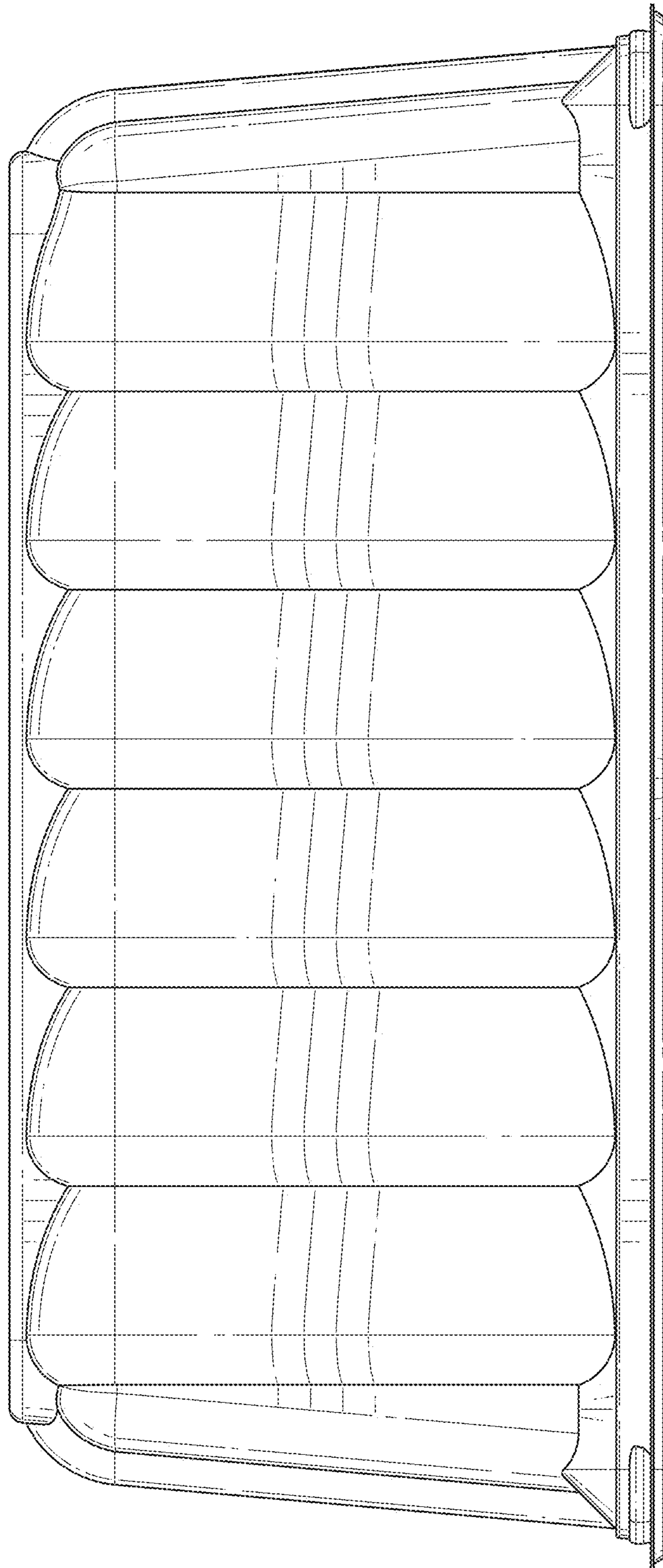


FIG. 3

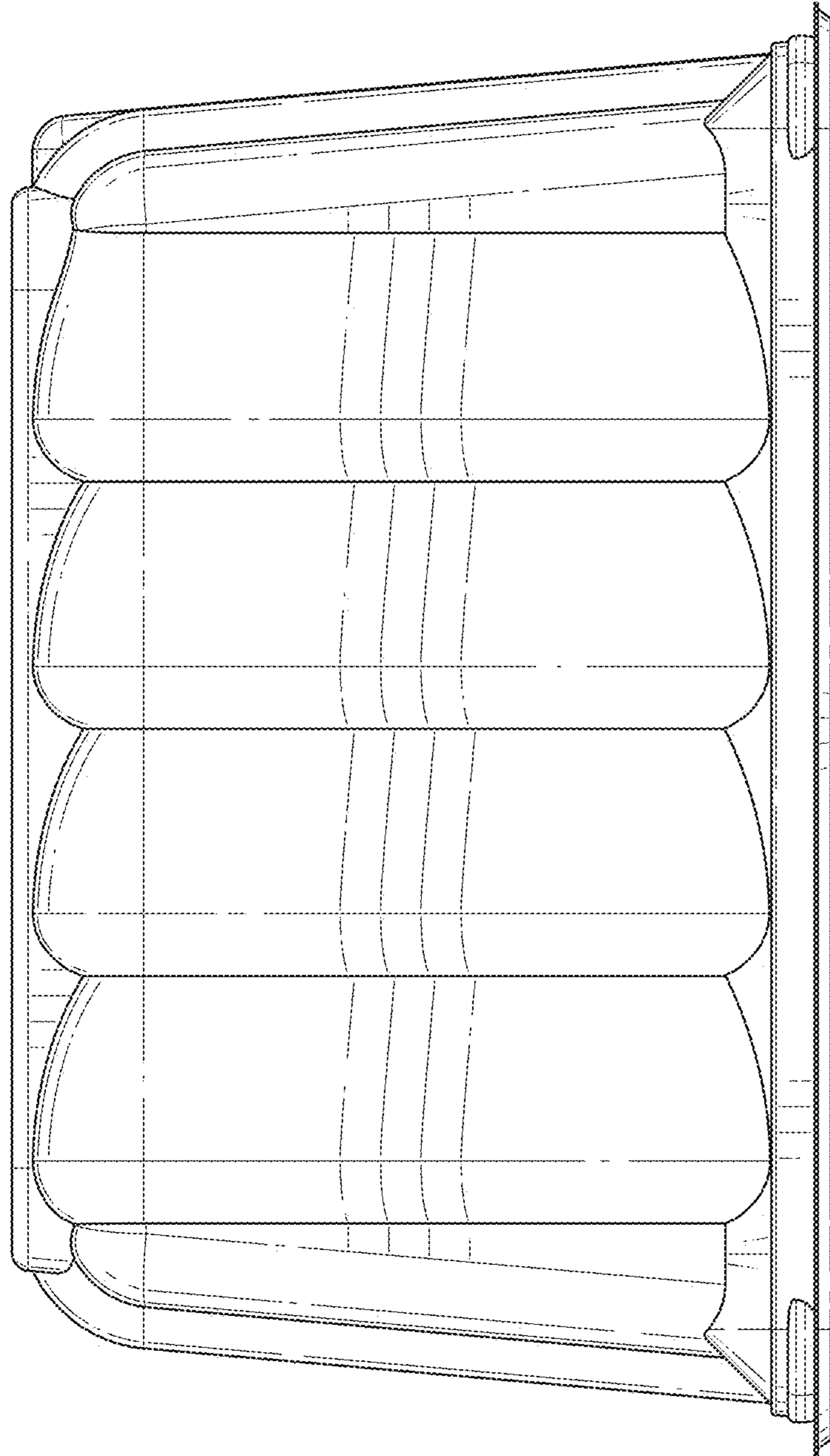


FIG. 4

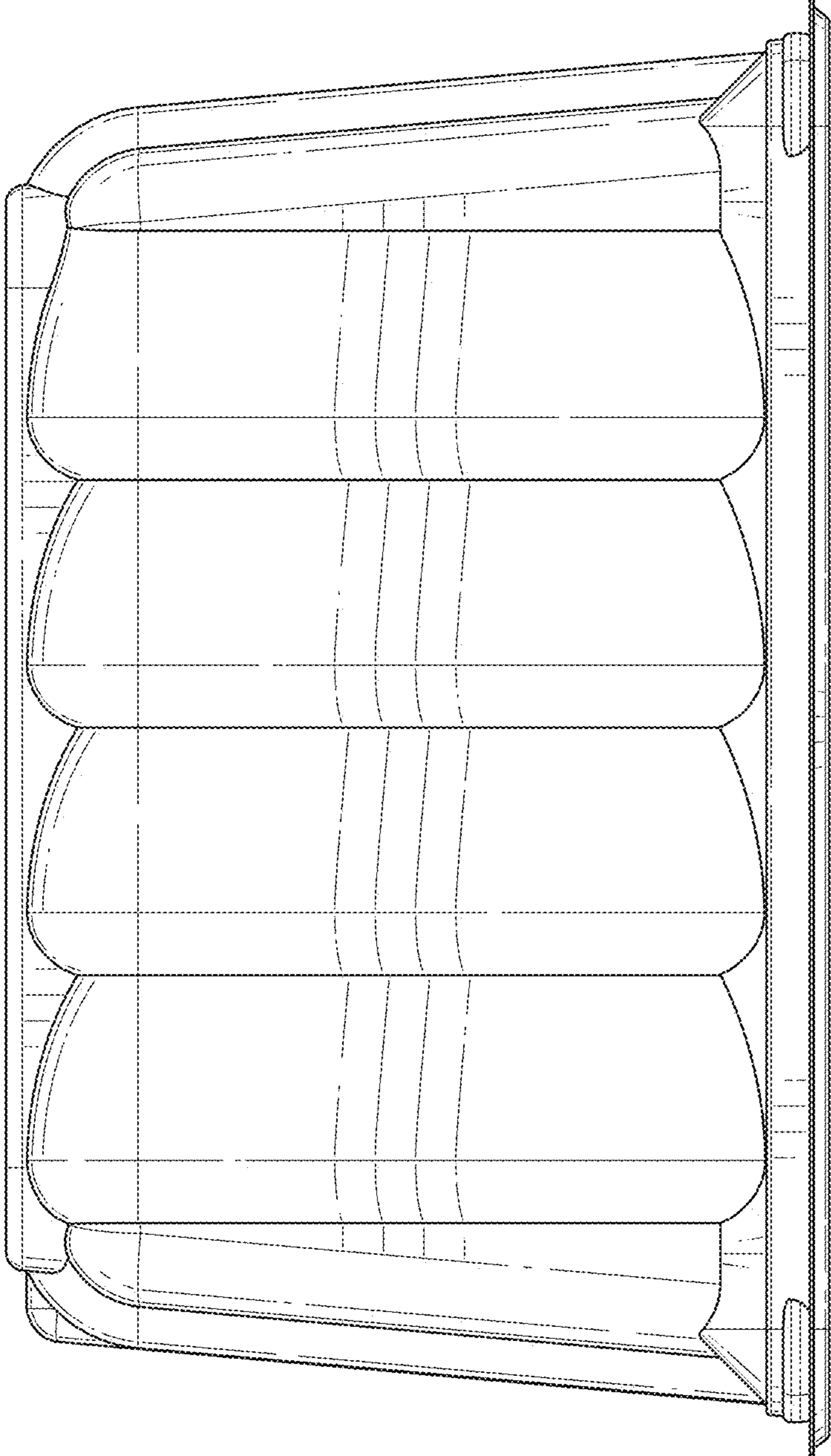


FIG. 5

FIG. 6

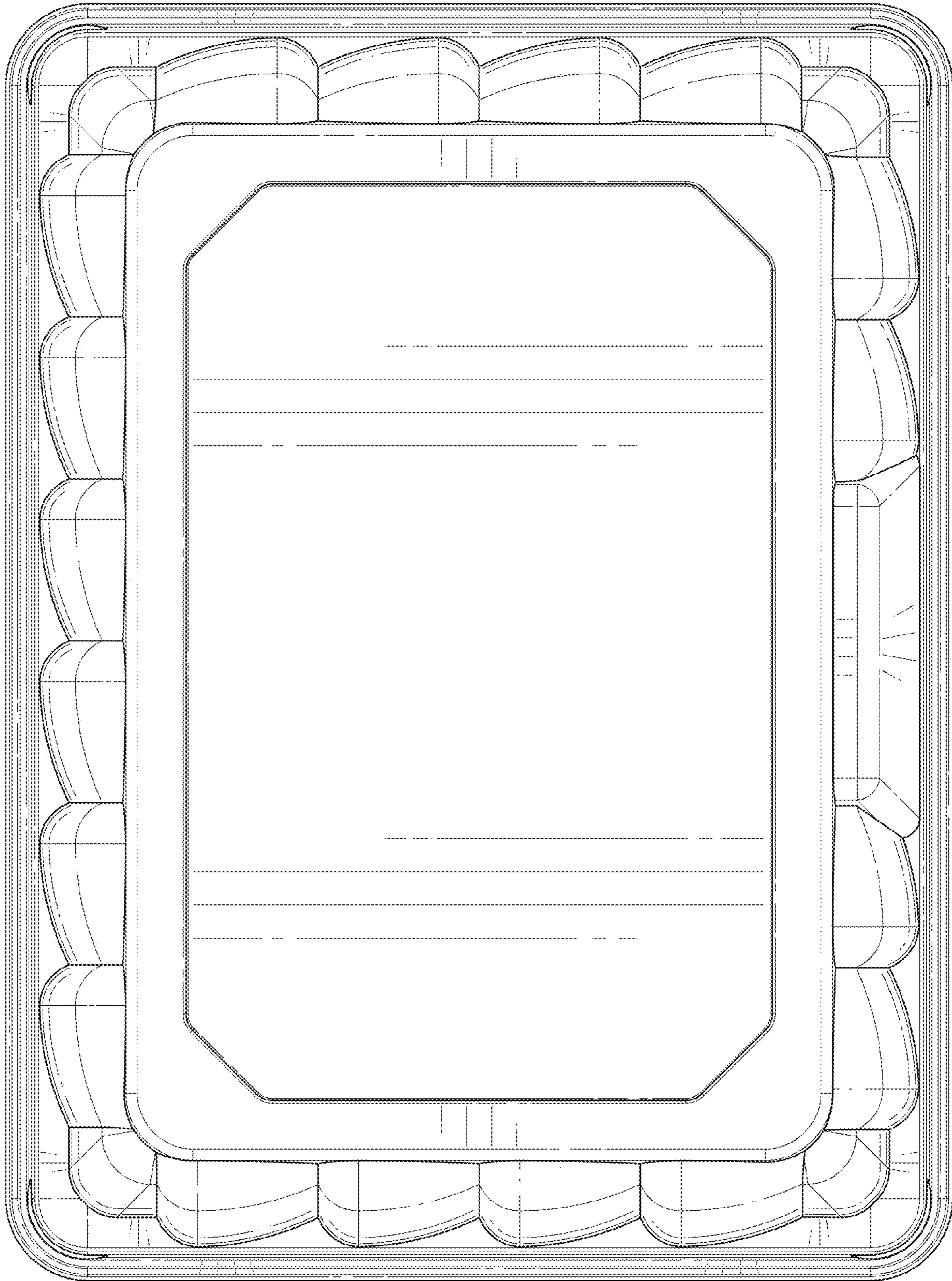


FIG. 7

