



US00D973486S

(12) **United States Design Patent**  
**Reimann**

(10) **Patent No.:** **US D973,486 S**

(45) **Date of Patent:** **\*\* \*Dec. 27, 2022**

(54) **HEXAGONAL CONTAINER**

(71) Applicant: **Scott Allen Reimann**, Centennial, CO  
(US)

(72) Inventor: **Scott Allen Reimann**, Centennial, CO  
(US)

(\*) Notice: This patent is subject to a terminal disclaimer.

(\*\*) Term: **15 Years**

(21) Appl. No.: **29/631,379**

(22) Filed: **Dec. 29, 2017**

(51) **LOC (13) Cl.** ..... **09-03**

(52) **U.S. Cl.**  
USPC ..... **D9/422; D9/430**

(58) **Field of Classification Search**  
USPC ..... D9/414-423, 424-429, 430-432, 433,  
D9/434, 456, 457, 711, 713, 721-722  
CPC ... B65D 5/00; B65D 5/02; B65D 5/18; B65D  
5/20  
See application file for complete search history.

(56) **References Cited**

**U.S. PATENT DOCUMENTS**

- 2,112,879 A \* 4/1938 Broderick ..... B65D 5/02  
206/110
- 2,342,623 A \* 2/1944 Aquino ..... B65D 5/02  
229/108

- D495,247 S \* 8/2004 Keberlein ..... D9/418
- D547,645 S \* 7/2007 Sainz ..... D9/420
- D570,682 S \* 6/2008 Erden ..... D9/430
- D668,457 S \* 10/2012 Mimlitch, III ..... D3/294
- D672,645 S \* 12/2012 Giannini ..... D9/430
- D717,163 S \* 11/2014 Paulsen ..... D9/431
- D756,037 S \* 5/2016 Schlatter ..... D28/85
- D764,278 S \* 8/2016 Tulin ..... D9/430
- D764,909 S \* 8/2016 Tulin ..... D9/430
- D821,746 S \* 7/2018 Heyman ..... D3/240
- D828,031 S \* 9/2018 Bloomfield ..... D3/302

\* cited by examiner

*Primary Examiner* — Vy N Koenig

(74) *Attorney, Agent, or Firm* — Husch Blackwell LLP

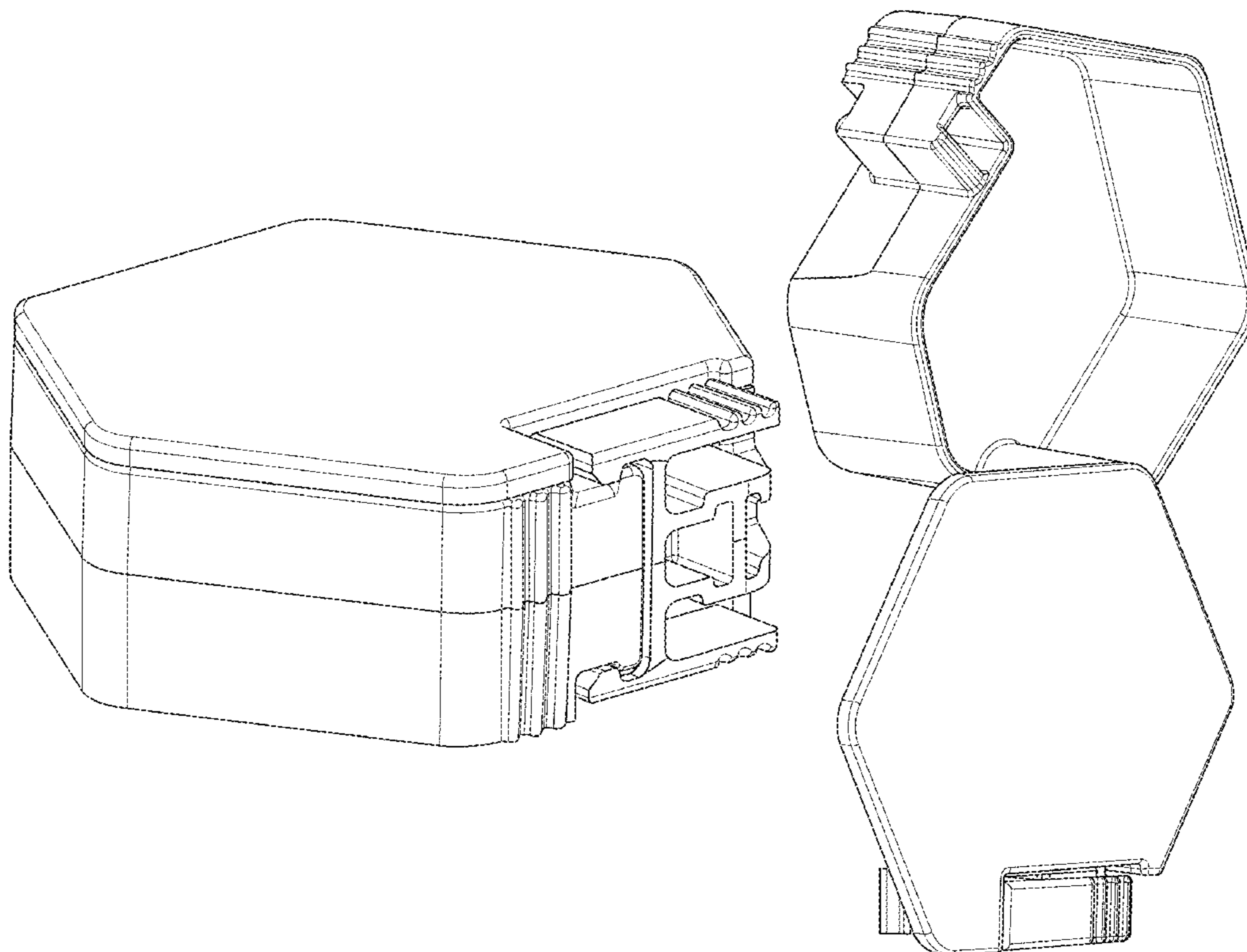
(57) **CLAIM**

The ornamental design for a hexagonal container, as shown and described.

**DESCRIPTION**

FIG. 1 is a top and side perspective view of a hexagonal container, showing my new design;  
 FIG. 2 is a top and front perspective view of a hexagonal container;  
 FIG. 3 is a bottom and front perspective view of a hexagonal container;  
 FIG. 4 is a top plan view of a hexagonal container;  
 FIG. 5 is a bottom plan view of a hexagonal container;  
 FIG. 6 is a top perspective view of a hexagonal container in an open configuration; and,  
 FIG. 7 is a bottom perspective view of a hexagonal container in an open configuration.

**1 Claim, 7 Drawing Sheets**



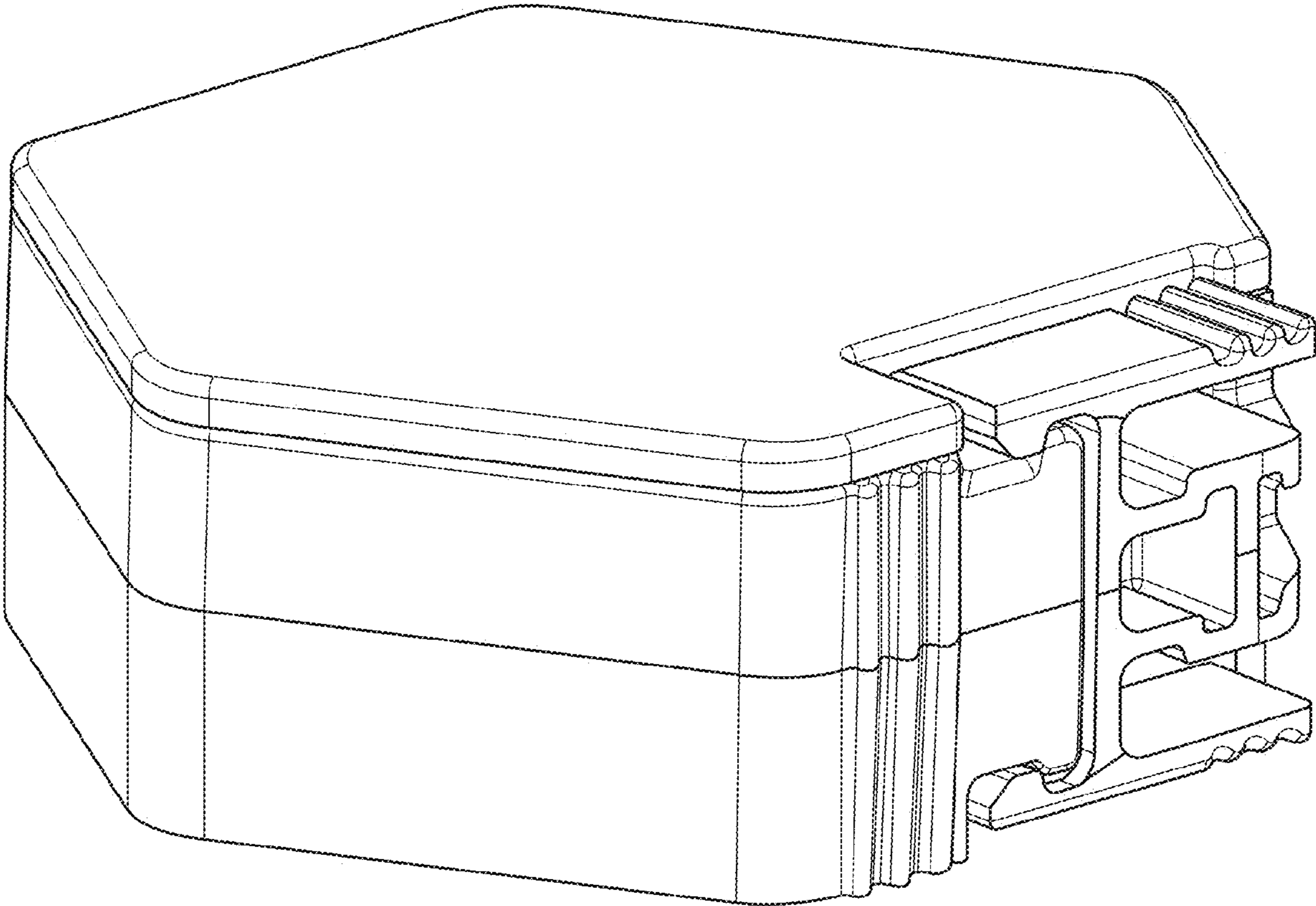


FIG. 1

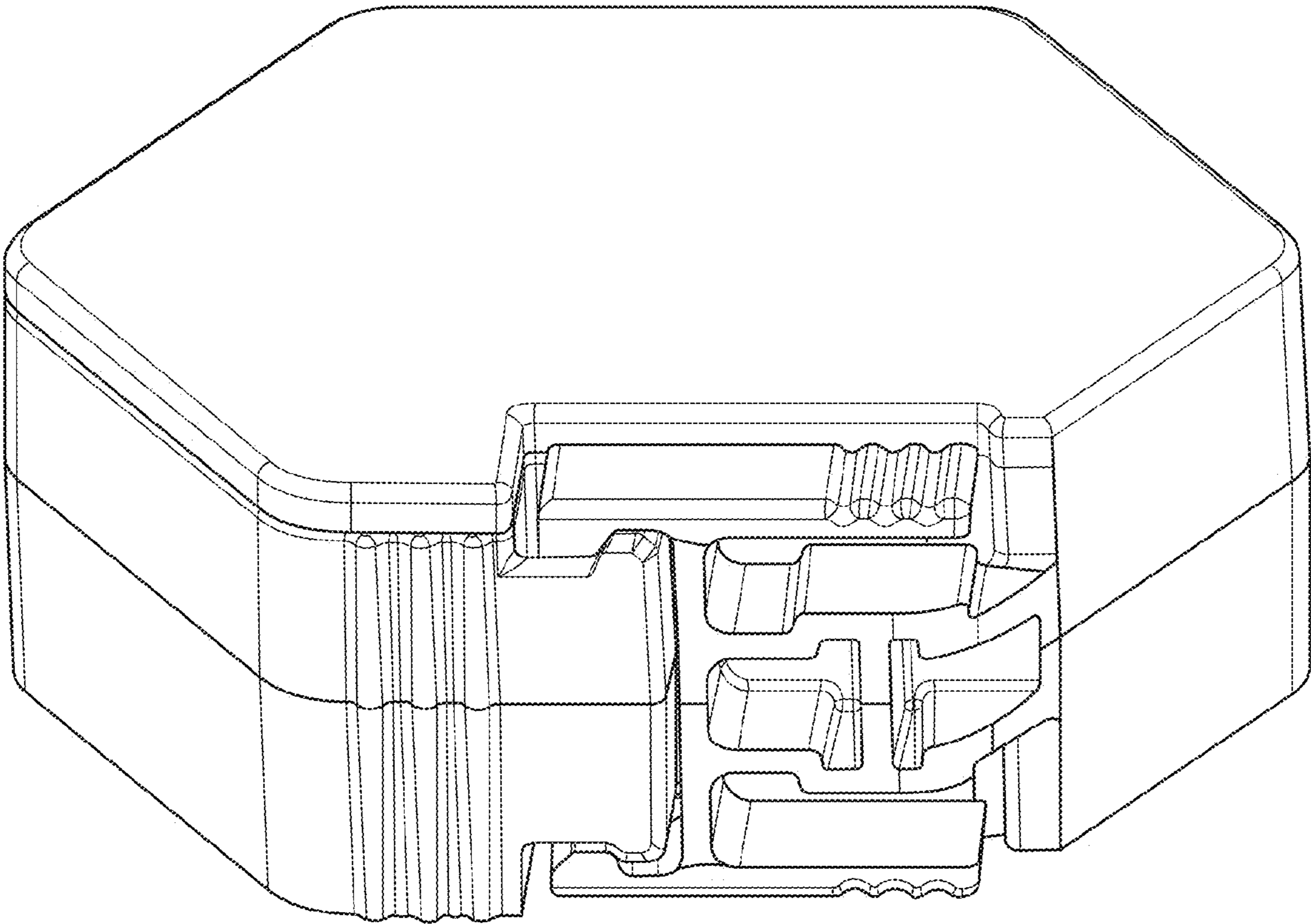


FIG. 2

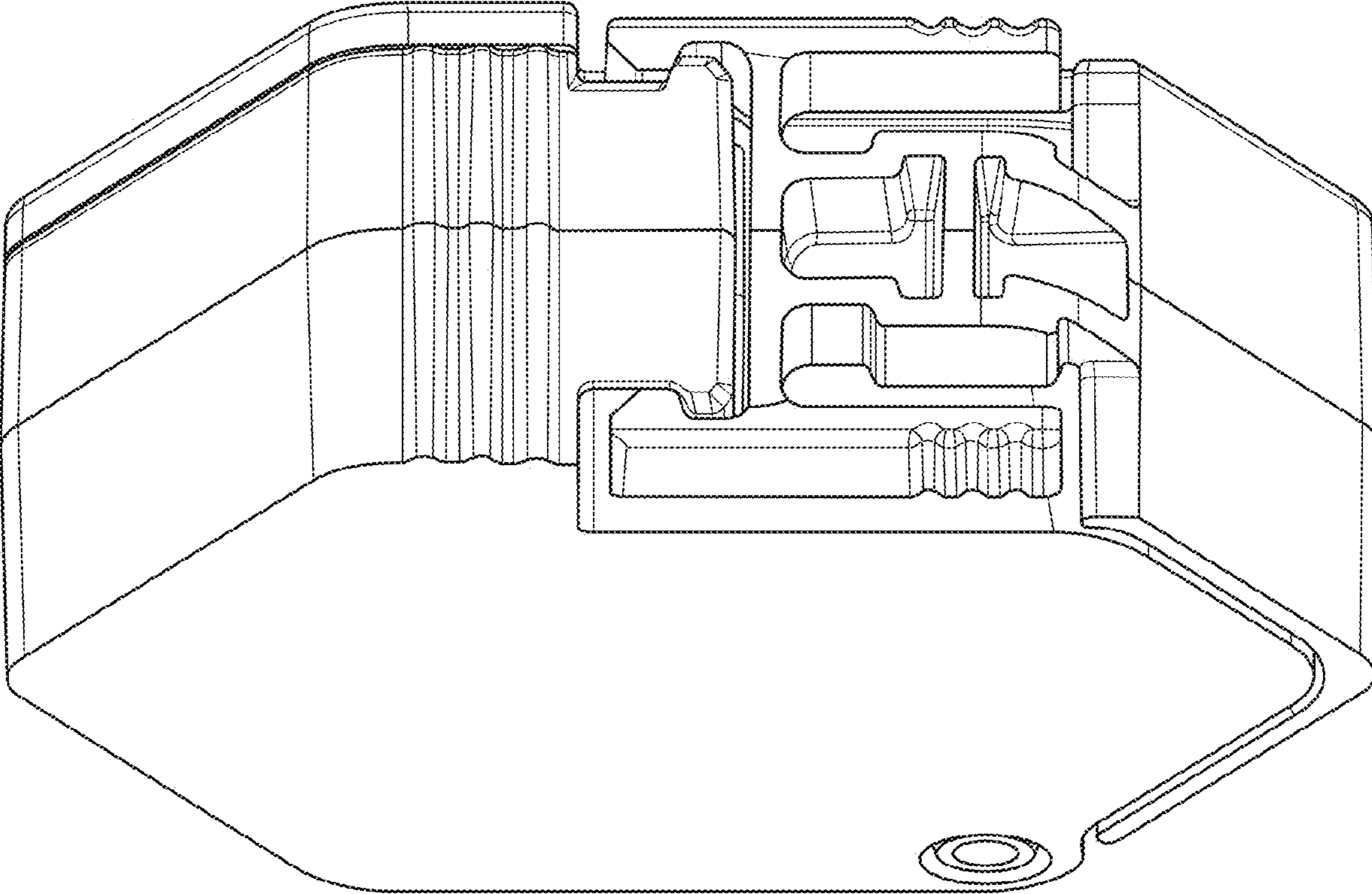


FIG. 3

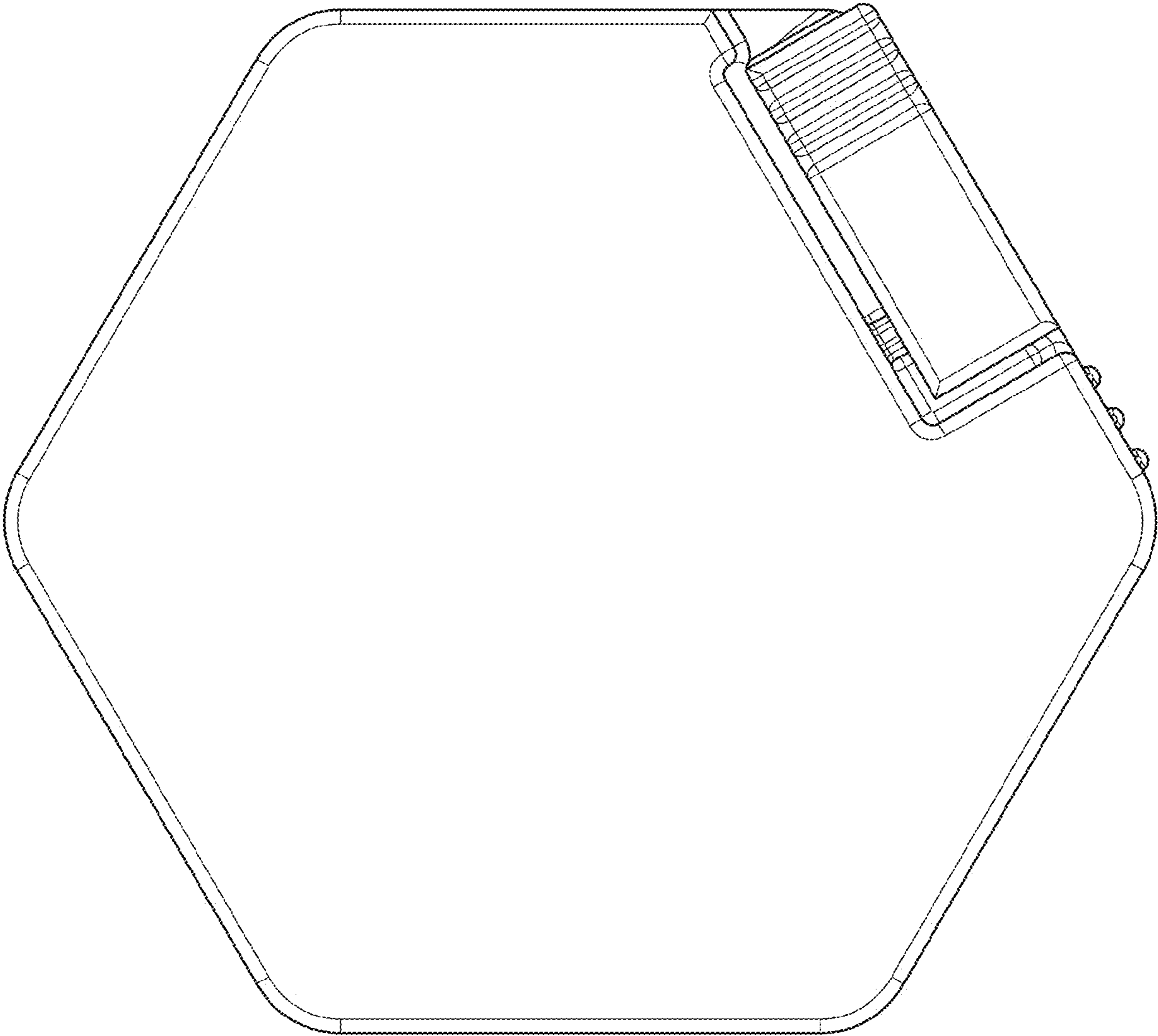


FIG. 4

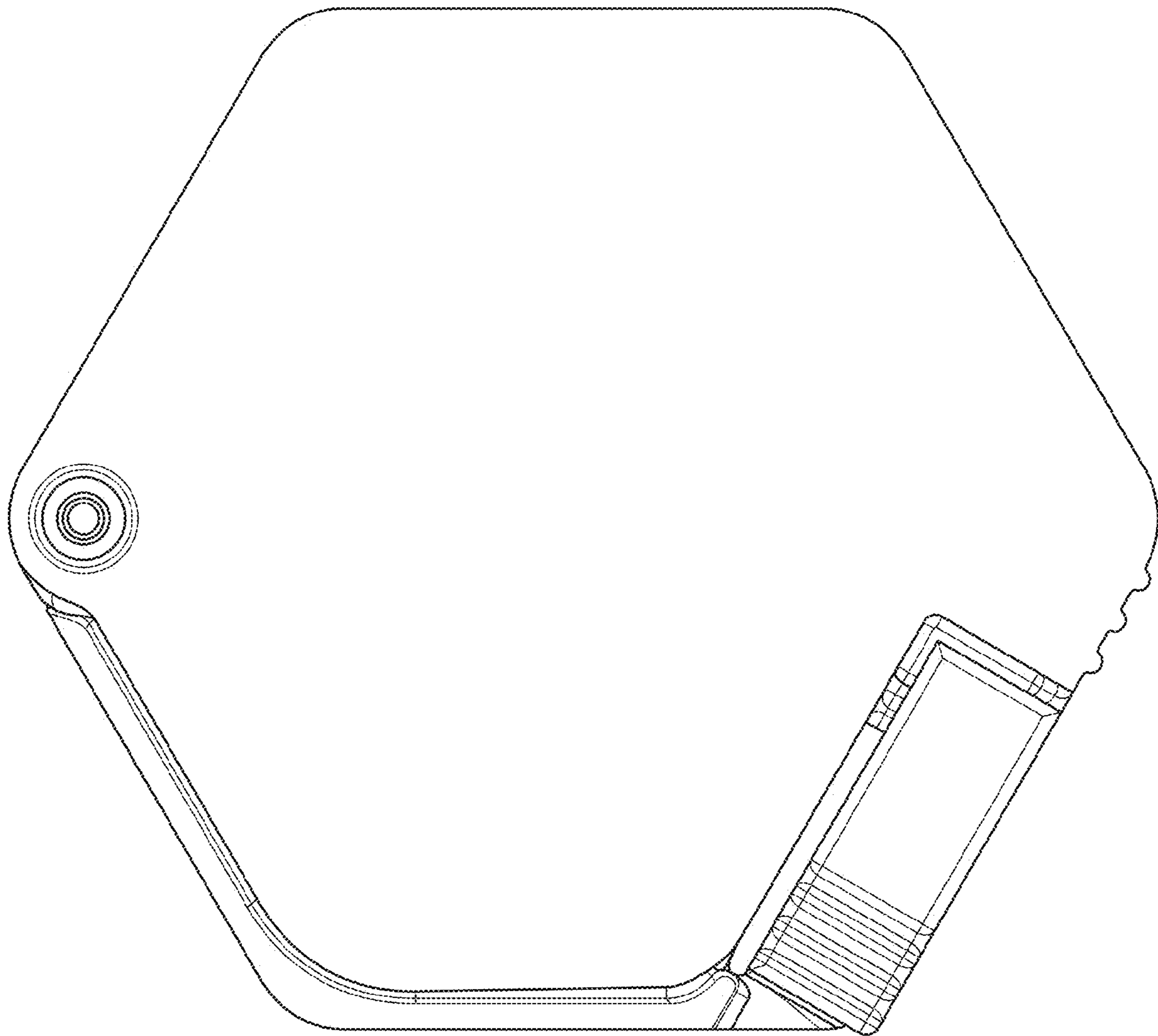


FIG. 5

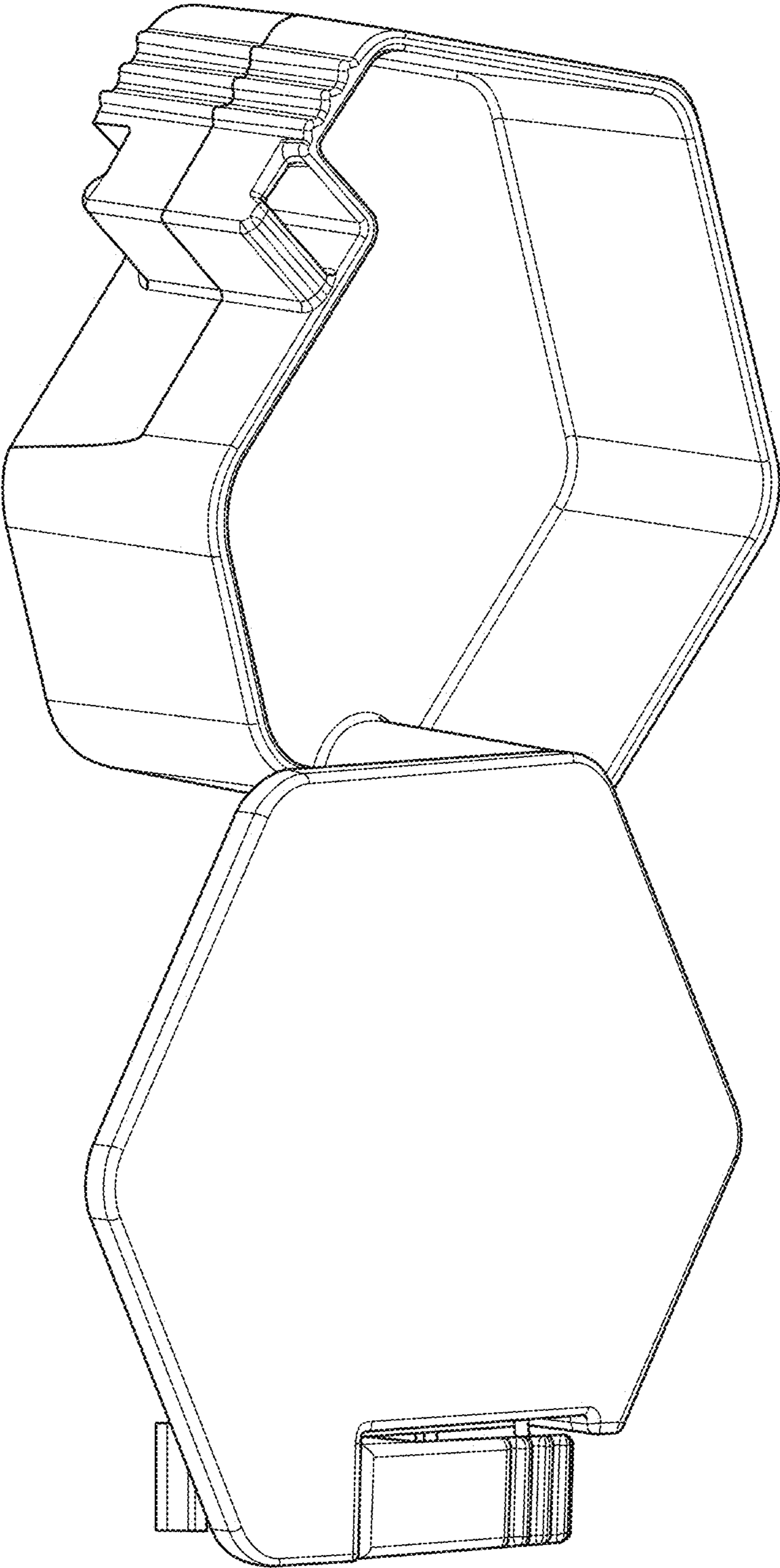


FIG. 6

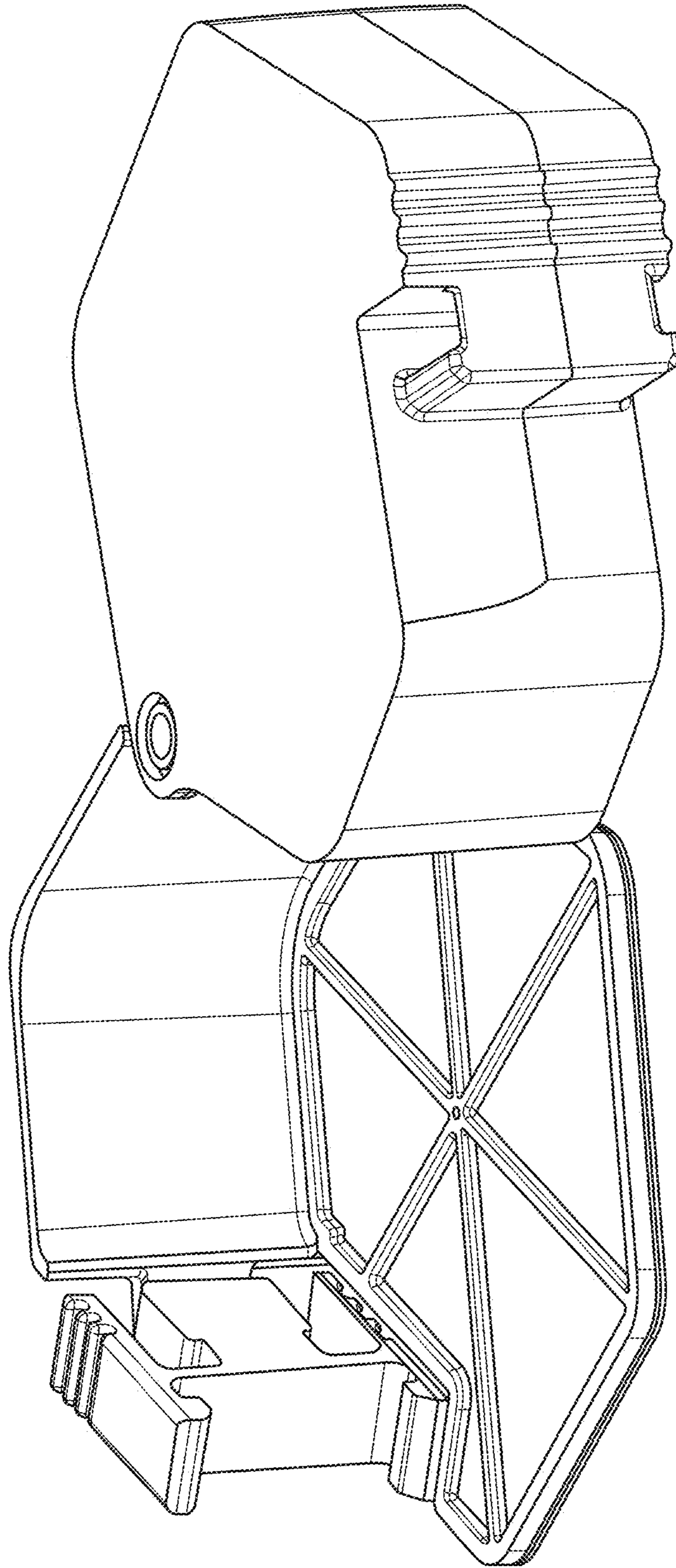


FIG. 7