



US00D973485S

(12) **United States Design Patent** (10) **Patent No.:** **US D973,485 S**
Tang et al. (45) **Date of Patent:** **** Dec. 27, 2022**

(54) **COMBINED PACKAGING WITH ACCESSORY**

- (71) Applicant: **Apple Inc.**, Cupertino, CA (US)
- (72) Inventors: **Lorraine Y. Tang**, San Francisco, CA (US); **Francesca Amor Delle Cese**, San Francisco, CA (US); **Mark T. Uyeda**, Campbell, CA (US)
- (73) Assignee: **Apple Inc.**, Cupertino, CA (US)
- (**) Term: **15 Years**
- (21) Appl. No.: **29/822,167**
- (22) Filed: **Jan. 6, 2022**

Related U.S. Application Data

- (63) Continuation of application No. 29/738,996, filed on Jun. 22, 2020, now Pat. No. Des. 942,276, which is a continuation of application No. 29/681,908, filed on Feb. 28, 2019, now Pat. No. Des. 887,828, which is a continuation of application No. 29/643,333, filed on Apr. 6, 2018, now Pat. No. Des. 842,091, which is a continuation of application No. 29/588,231, filed on Dec. 19, 2016, now Pat. No. Des. 814,919, which is a continuation of application No. 29/519,936, filed on Mar. 9, 2015, now Pat. No. Des. 774,899, which is a continuation-in-part of application No. 29/519,821, filed on Mar. 9, 2015, now Pat. No. Des. 779,932.

(51) **LOC (13) Cl.** **09-03**

(52) **U.S. Cl.**
USPC **D9/419**

(58) **Field of Classification Search**
USPC D9/419, 414-418, 431-433, 737, 721, D9/456; D13/153
CPC A61B 50/30; B65D 85/04; B65D 5/5061; B65D 27/14; B65D 5/241; B65D 5/0254; B65D 75/02

See application file for complete search history.

(56) **References Cited**

U.S. PATENT DOCUMENTS

1,514,379 A	11/1924	Fleischer
3,381,876 A	5/1968	Biggins
3,679,093 A	7/1972	Chang
D308,941 S	7/1990	Kong
D356,499 S	3/1995	Cautereels et al.
5,441,152 A	8/1995	Estes
D368,221 S	3/1996	Montague
D372,582 S	8/1996	Beaty et al.
D398,524 S	9/1998	Waterhouse
6,305,539 B1	10/2001	Sanders, Jr.
D527,674 S	9/2006	Biglarians
D564,830 S	3/2008	Holmes
D605,469 S	12/2009	Wingfield et al.
D647,532 S	10/2011	Busch
D661,186 S	6/2012	Snyder

(Continued)

Primary Examiner — Rhea Shields

(74) *Attorney, Agent, or Firm* — Sterne, Kessler, Goldstein & Fox P.L.L.C.

(57) **CLAIM**

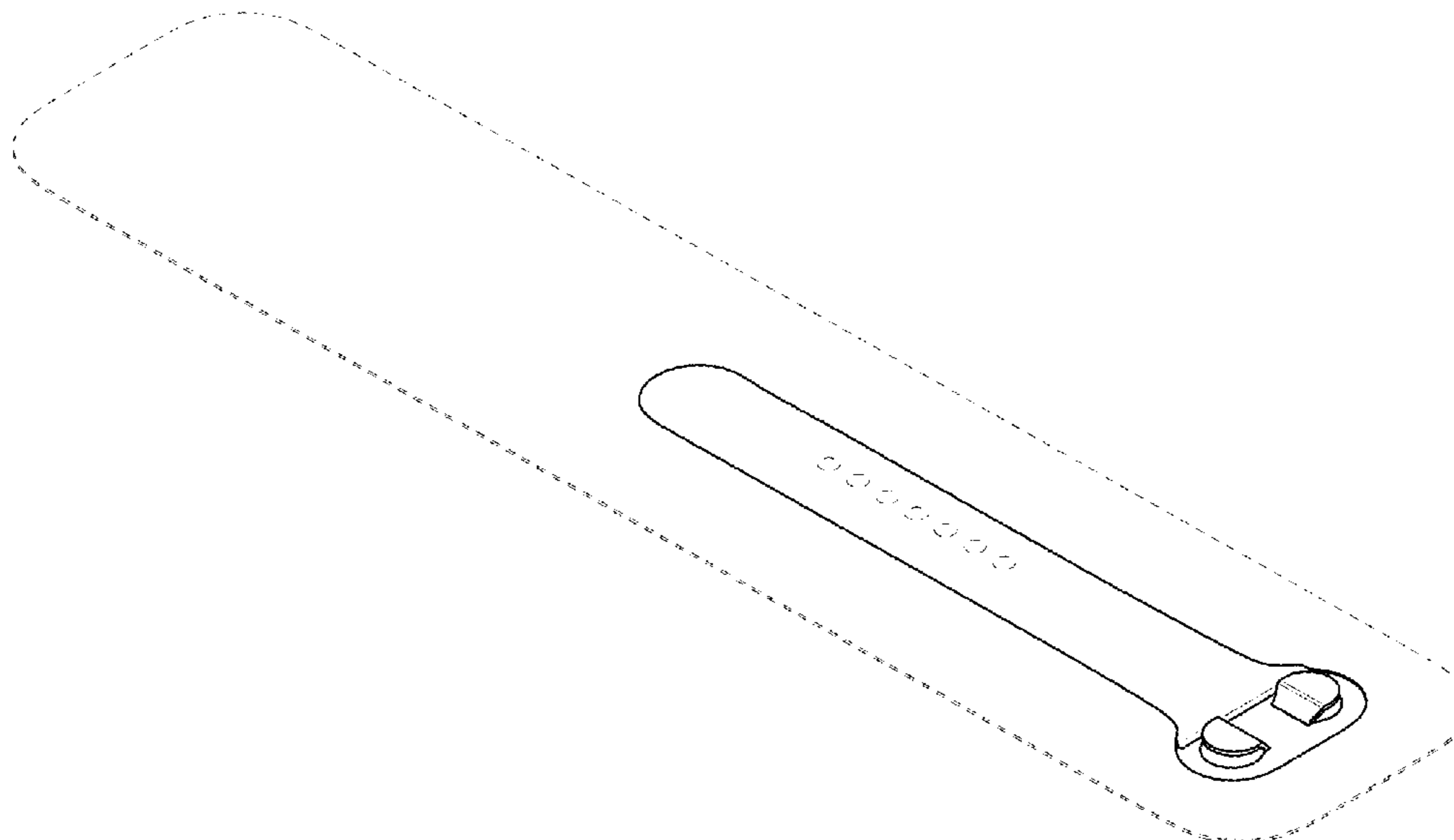
The ornamental design for a combined packaging with accessory, as shown and described.

DESCRIPTION

FIG. 1 is a top front perspective view of a combined packaging with accessory showing the claimed design; FIG. 2 is a front view thereof; FIG. 3 is a rear view thereof; FIG. 4 is a left side view thereof; FIG. 5 is a right side view thereof; FIG. 6 is a top view thereof; and, FIG. 7 is a bottom view thereof.

The broken lines in the figures show portions of the combined packaging with accessory that form no part of the claimed design.

1 Claim, 3 Drawing Sheets



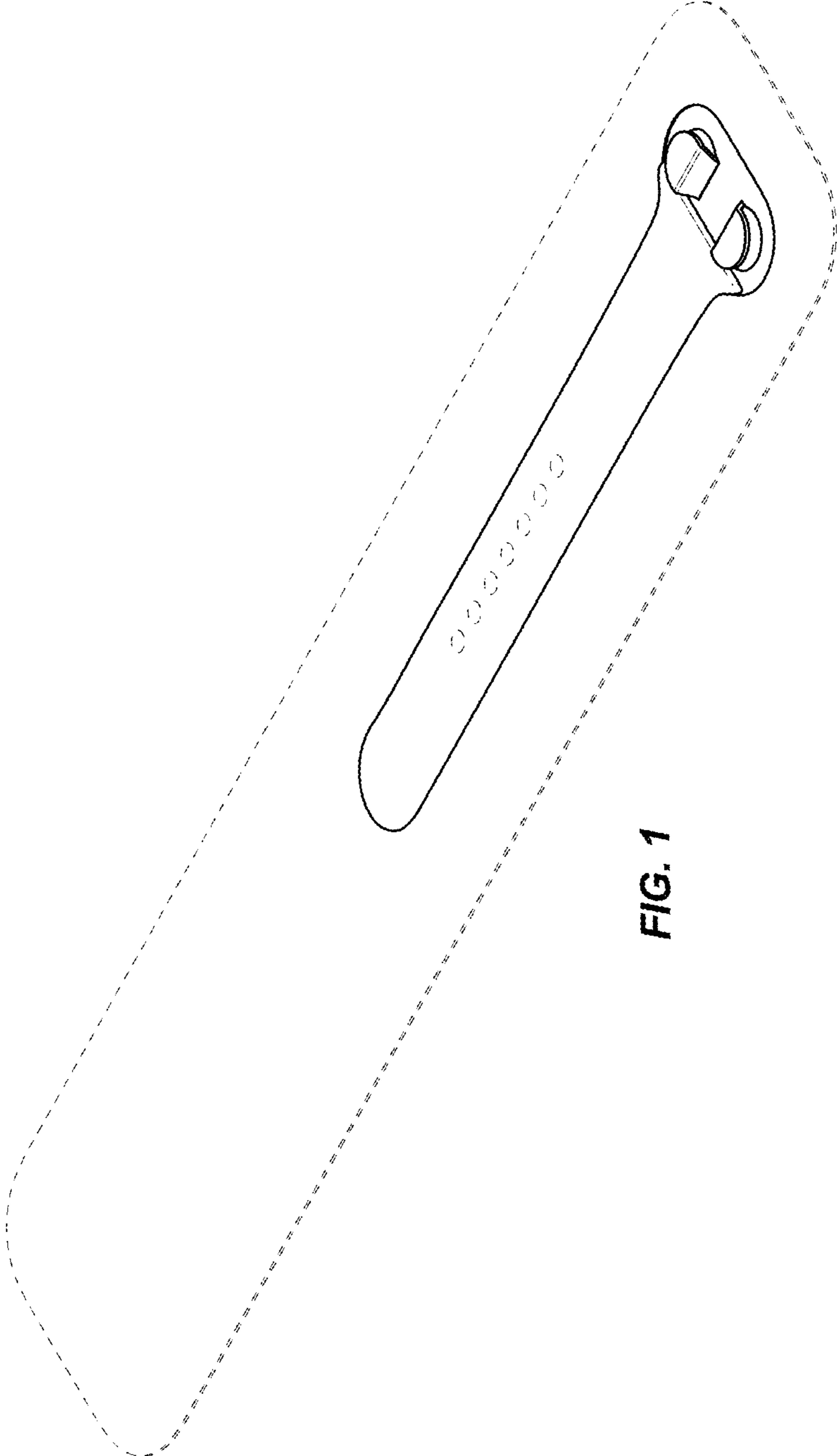
(56)

References Cited

U.S. PATENT DOCUMENTS

D679,181	S	4/2013	Vogel et al.	
D688,027	S	8/2013	Smith et al.	
D698,199	S	1/2014	Yessin et al.	
D704,987	S	5/2014	Stamper et al.	
D714,143	S	9/2014	Hodge	
D734,898	S	7/2015	Lutz et al.	
D735,577	S	8/2015	Lee	
D738,027	S	9/2015	Wang et al.	
D740,117	S	10/2015	Nichols et al.	
D741,069	S	10/2015	Vanderheyden et al.	
D744,855	S	12/2015	Akana et al.	
D746,599	S	1/2016	Olson et al.	
D773,927	S	12/2016	Cernokus et al.	
D779,932	S *	2/2017	Delle Cese	D9/419
D789,800	S *	6/2017	Cernokus	D9/737
D814,919	S *	4/2018	Delle Cese	D9/419
D832,103	S *	10/2018	Anderson	D9/456
D842,091	S *	3/2019	Delle Cese	D9/419
D861,497	S *	10/2019	Cernokus	D9/721
D884,470	S *	5/2020	Cernokus	D9/721
D887,828	S *	6/2020	Delle Cese	D9/419
D902,032	S *	11/2020	Cernokus	D9/721
D930,477	S *	9/2021	Cernokus	D9/721
2016/0264297	A1 *	9/2016	Cernokus	B65D 85/40

* cited by examiner



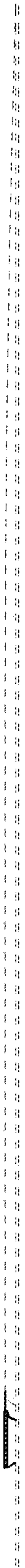


FIG. 2

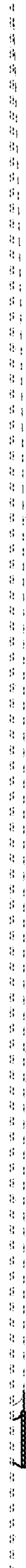


FIG. 3



FIG. 4

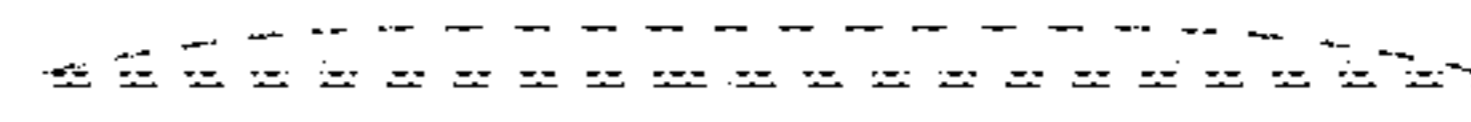


FIG. 5

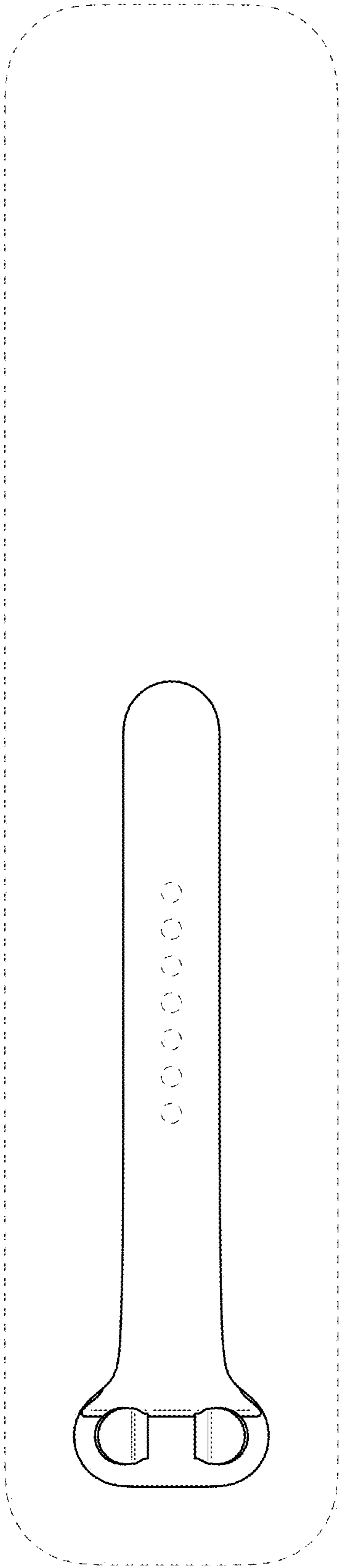


FIG. 6

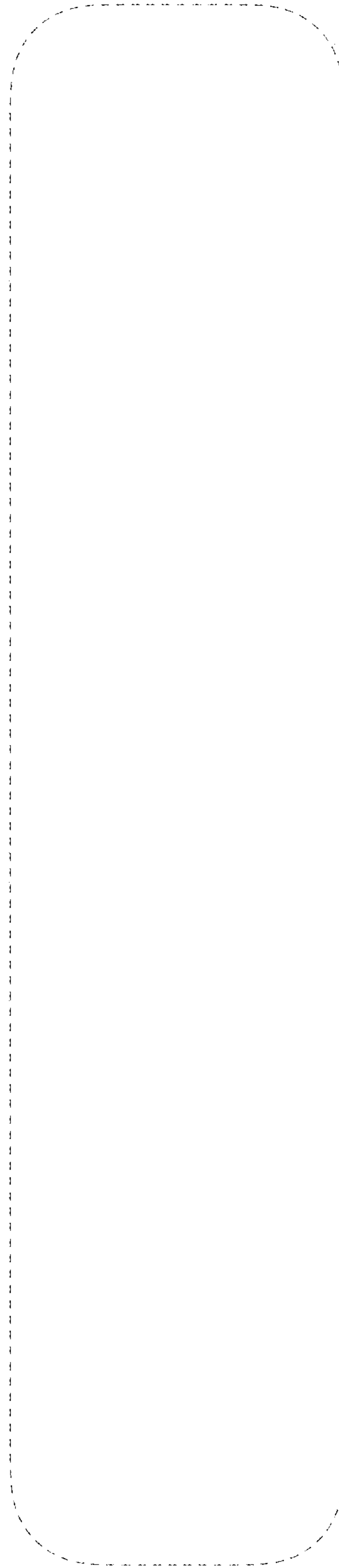


FIG. 7