



US00D973484S

(12) **United States Design Patent** (10) **Patent No.:** **US D973,484 S**  
**Manchanda** (45) **Date of Patent:** **\*\* Dec. 27, 2022**

(54) **BEVERAGE-CONTAINING POD FOR COCKTAIL SHAKER**

(71) Applicant: **BACARDI & COMPANY LIMITED, Vaduz (LI)**

(72) Inventor: **Ankush Manchanda, Dubai (AE)**

(73) Assignee: **BACARDI & COMPANY LIMITED, Vaduz (LI)**

(\*\*) Term: **15 Years**

(21) Appl. No.: **29/759,856**

(22) Filed: **Nov. 25, 2020**

(30) **Foreign Application Priority Data**

Jun. 16, 2020 (EM) ..... 008003479-0001

(51) **LOC (13) Cl.** ..... **09-03**

(52) **U.S. Cl.** ..... **D9/416**  
USPC .....

(58) **Field of Classification Search**  
USPC ..... D9/414-418, 428, 503, 425, 429, 500,  
D9/720, 434, 454; D7/300, 397, 400,  
D7/630

CPC ..... B65D 65/38  
See application file for complete search history.

(56) **References Cited**

**U.S. PATENT DOCUMENTS**

1,905,986 A	4/1933	Huntington et al.	
D235,246 S *	6/1975	Evans .....	D9/416
D471,444 S *	3/2003	Kim .....	D9/429
6,533,113 B2	3/2003	Moscovitz	
6,820,740 B1	11/2004	Spector	
6,962,254 B2	11/2005	Spector	
7,506,782 B2	3/2009	Walters et al.	
D604,157 S *	11/2009	Reiterer .....	D9/416
7,850,027 B2	12/2010	Hayes et al.	

8,047,126 B2	11/2011	Majer	
D651,508 S *	1/2012	Layfield .....	D9/425
8,147,120 B2	4/2012	Renna et al.	
8,221,381 B2	7/2012	Muir et al.	
8,226,126 B2	7/2012	Johns et al.	
8,474,495 B2	7/2013	Singleton et al.	
8,646,966 B2	2/2014	Marino et al.	
8,839,982 B1	9/2014	Anderson et al.	
8,887,905 B2	11/2014	Muhlemann	
8,960,424 B1	2/2015	Anderson	

(Continued)

**FOREIGN PATENT DOCUMENTS**

AT	518459 B1	7/2019
DE	10323608 A1	12/2004

(Continued)

**OTHER PUBLICATIONS**

“Bacardi launches . . . ” reference dated Oct. 12, 2021 at: <https://www.thedrinksbusiness.com/2021/10/bacardi-launches-twistails-cocktail-pods-into-gtr/>.\*

(Continued)

*Primary Examiner* — Rhea Shields  
(74) *Attorney, Agent, or Firm* — Pearne & Gordon LLP

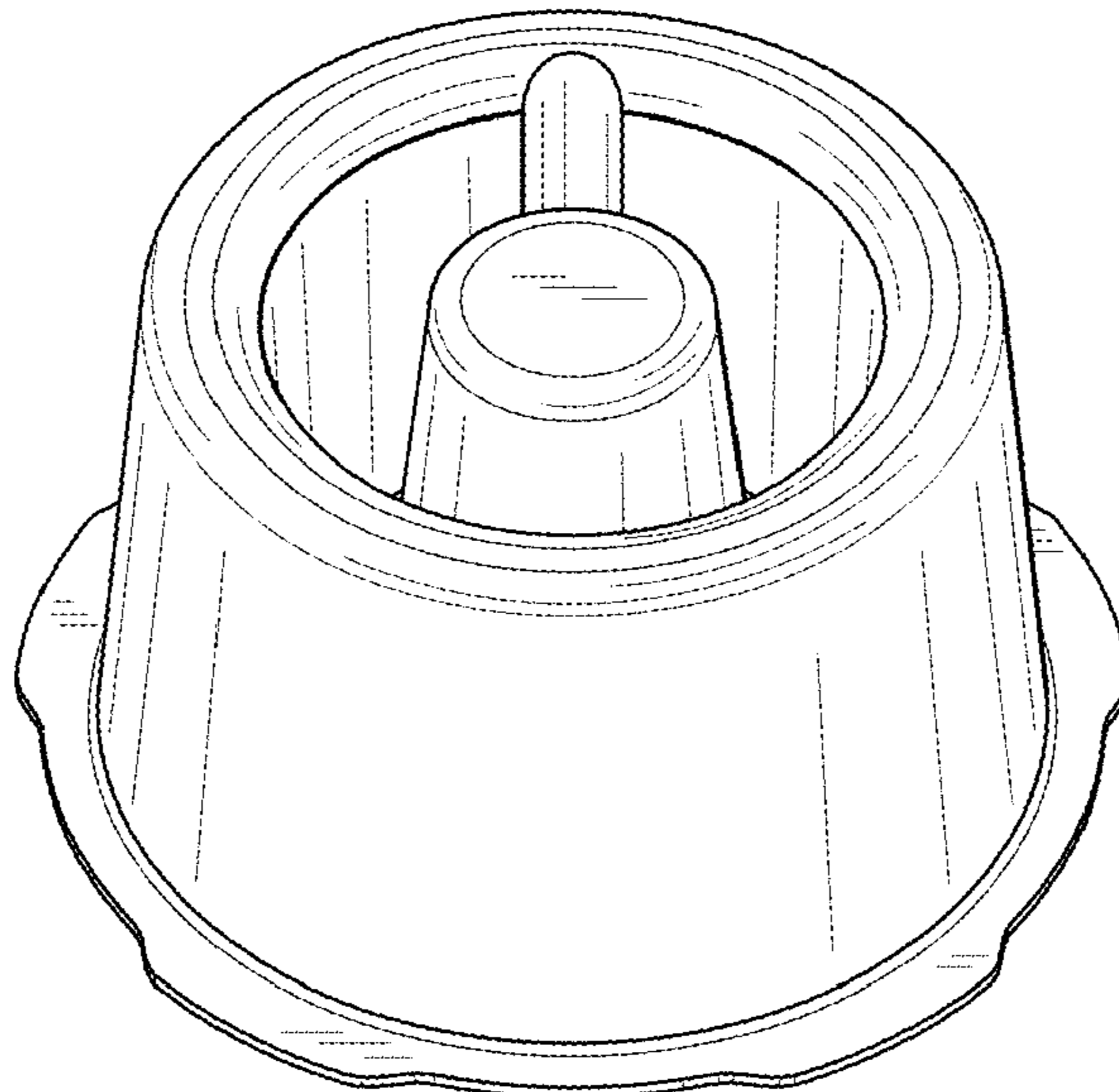
(57) **CLAIM**

The ornamental design for a beverage-containing pod for cocktail shaker, as shown and described.

**DESCRIPTION**

FIG. 1 is a top-side perspective view of a beverage-containing pod for cocktail shaker, showing the new design; FIG. 2 is a bottom-side perspective view thereof; FIG. 3 is a front view thereof, the back view, the left-side view and the right-side view being identical thereto; FIG. 4 is a top view thereof; and, FIG. 5 is a bottom view thereof.

**1 Claim, 2 Drawing Sheets**



(56)

References Cited

U.S. PATENT DOCUMENTS

9,004,302 B2 4/2015 Ginzburg et al.  
 9,132,950 B1 9/2015 Anderson et al.  
 D745,386 S \* 12/2015 Covey ..... D9/416  
 9,207,164 B2 12/2015 Muir et al.  
 9,242,772 B1 1/2016 Anderson et al.  
 9,242,773 B1 1/2016 Anderson  
 D750,482 S \* 3/2016 Rapparini ..... D9/500  
 D753,480 S \* 4/2016 Paton ..... D9/416  
 9,346,602 B2 5/2016 Gitta  
 D761,121 S \* 7/2016 Graham ..... D9/720  
 D764,270 S \* 8/2016 Paton ..... D9/416  
 9,452,870 B1 9/2016 Anderson  
 9,499,316 B2 11/2016 Hasegawa  
 9,567,142 B1 2/2017 Anderson  
 9,629,782 B2 4/2017 Hayes  
 9,694,956 B2 7/2017 Moreau  
 D823,051 S \* 7/2018 Sharma ..... D9/503  
 D826,053 S \* 8/2018 Schaling ..... D9/503  
 10,144,564 B2 12/2018 Seddon et al.  
 10,189,604 B2 \* 1/2019 McMunn ..... B65D 65/38  
 10,196,195 B2 2/2019 Guillon et al.  
 10,226,153 B2 3/2019 Trager et al.  
 10,266,321 B2 4/2019 Van Den Broek  
 D865,510 S \* 11/2019 Mathias ..... D9/416  
 10,494,164 B2 12/2019 Nickerson et al.  
 D880,289 S \* 4/2020 Valsecchi ..... D9/416  
 D883,780 S \* 5/2020 Wu ..... D9/414  
 D896,073 S \* 9/2020 Temple, Jr. .... D9/434  
 D899,244 S \* 10/2020 Lee ..... D9/428  
 D906,053 S 12/2020 Trager et al.  
 D911,161 S \* 2/2021 Williams ..... D9/416  
 D927,264 S \* 8/2021 Remo ..... D7/630  
 D927,970 S \* 8/2021 Choi ..... D9/416  
 D934,075 S \* 10/2021 Oh ..... D9/454

D935,317 S \* 11/2021 Oh ..... D7/400  
 D936,416 S \* 11/2021 Yang ..... D7/400  
 D939,344 S \* 12/2021 Gisholt ..... D9/425  
 D953,108 S \* 5/2022 Krüger ..... D7/400  
 D960,623 S \* 8/2022 Manchanda ..... D7/300.1  
 D960,667 S \* 8/2022 Manchanda ..... D7/397  
 2007/0284329 A1 12/2007 Hayes et al.  
 2010/0072160 A1 3/2010 Hayes  
 2011/0180545 A1 7/2011 Marino et al.  
 2016/0023825 A1 1/2016 Van Den Broek  
 2016/0058247 A1 3/2016 Hogan  
 2016/0066749 A1 3/2016 Trager et al.  
 2017/0129665 A1 5/2017 Rolfes  
 2018/0022519 A1 1/2018 Besalda  
 2018/0282032 A1 10/2018 Teague  
 2019/0047782 A1 2/2019 Rehfuss et al.  
 2019/0210778 A1 7/2019 Muir et al.

FOREIGN PATENT DOCUMENTS

WO 2006122612 A1 11/2006  
 WO 2015167403 A1 11/2015  
 WO 2016012928 A1 1/2016  
 WO 2018112516 A1 6/2018

OTHER PUBLICATIONS

“Bacardi launches . . .” reference dated Nov. 4, 2020 at: <https://www.thegrocer.co.uk/new-product-development/bacardi-launches-nespresso-style-cocktail-pods-into-amazon/650025.article>.  
 Dellinger, A.J., “The Keurig for cocktails is now available in a couple of states”, Smart Home, Digital Trends, May 7, 2019, available at <https://www.digitaltrends.com/home/drinkworks-keurig-homebar-pod-cocktail-machine/>; pp. 1-17.

\* cited by examiner

FIG. 1

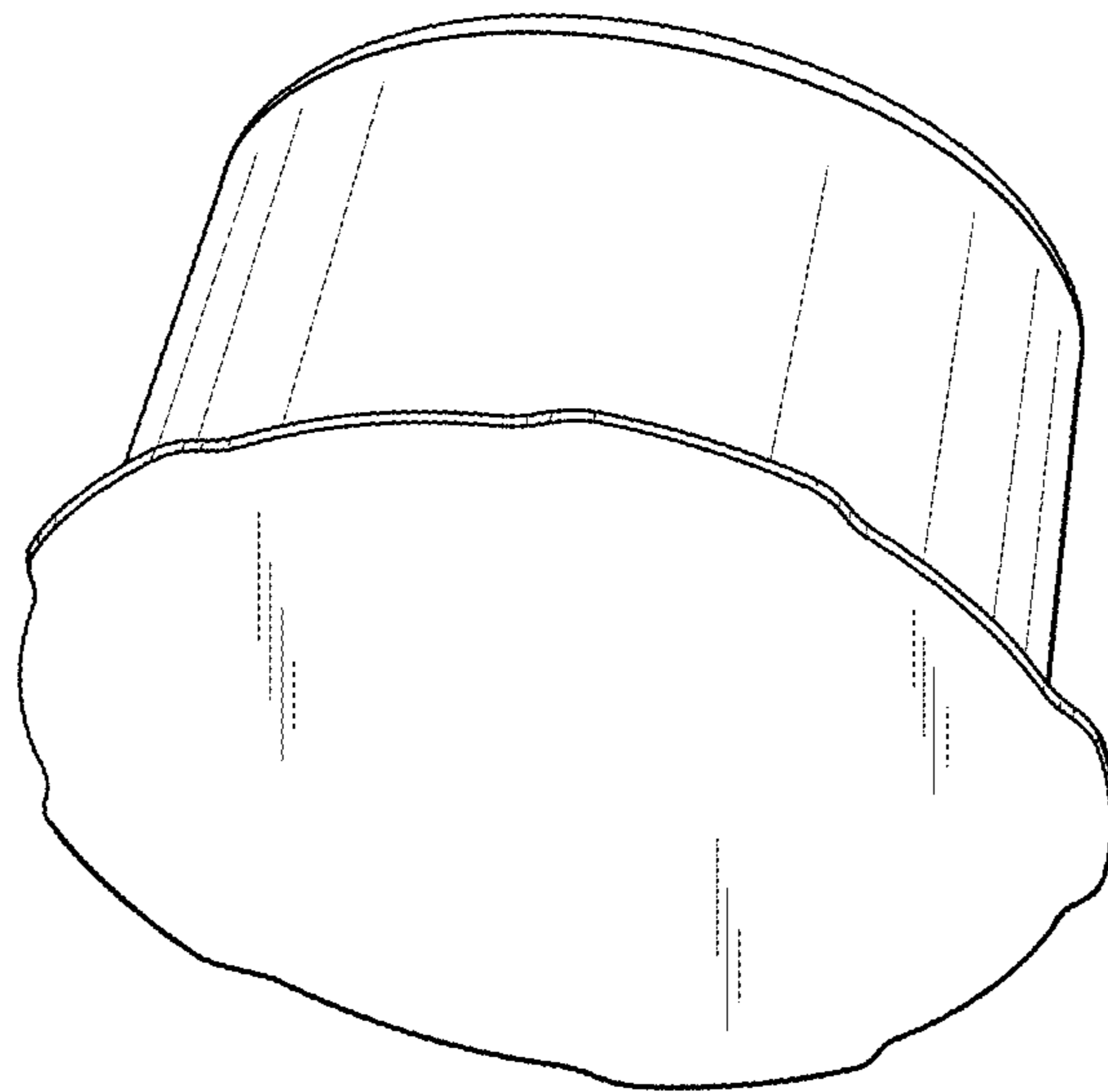
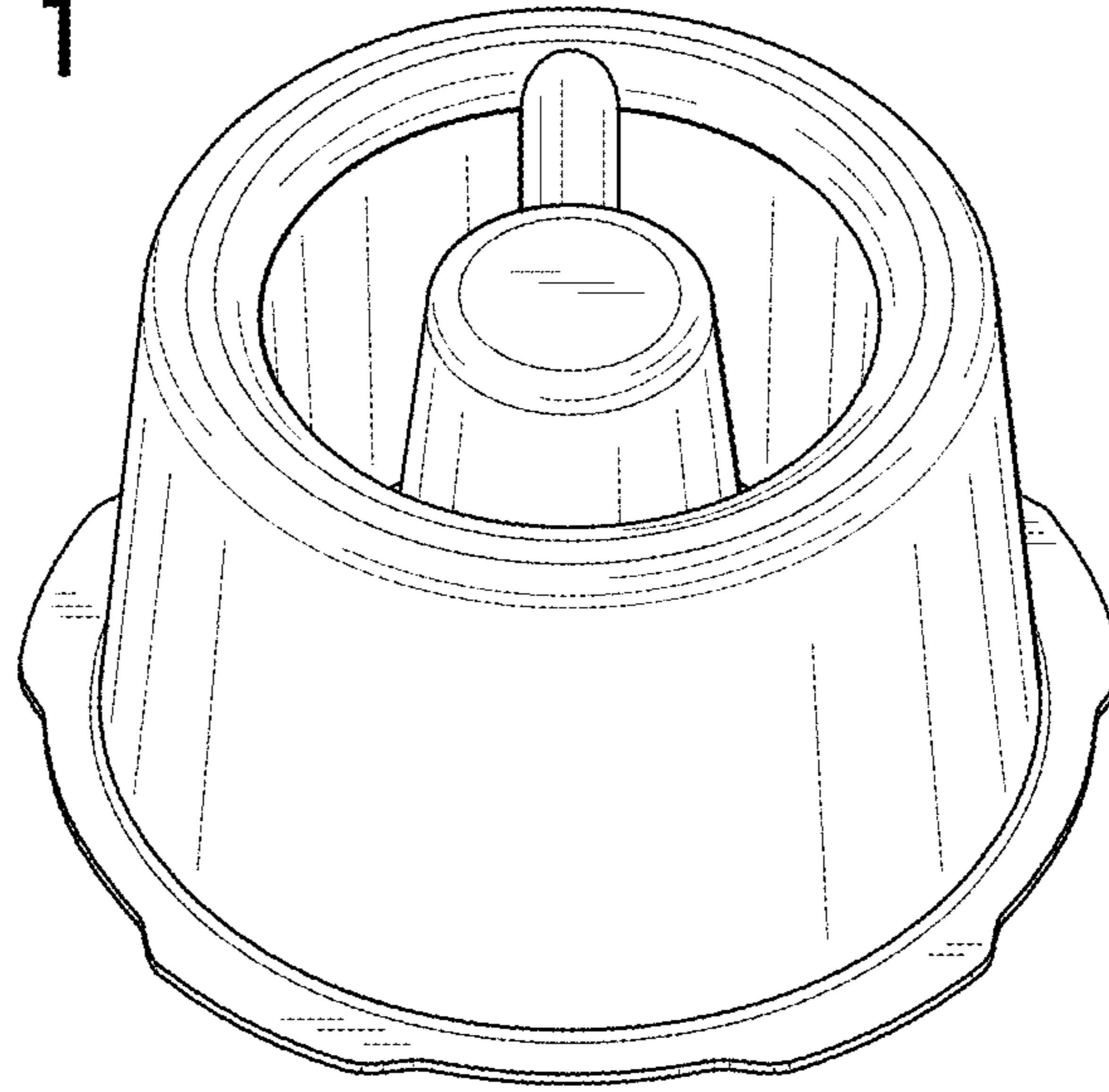


FIG. 2

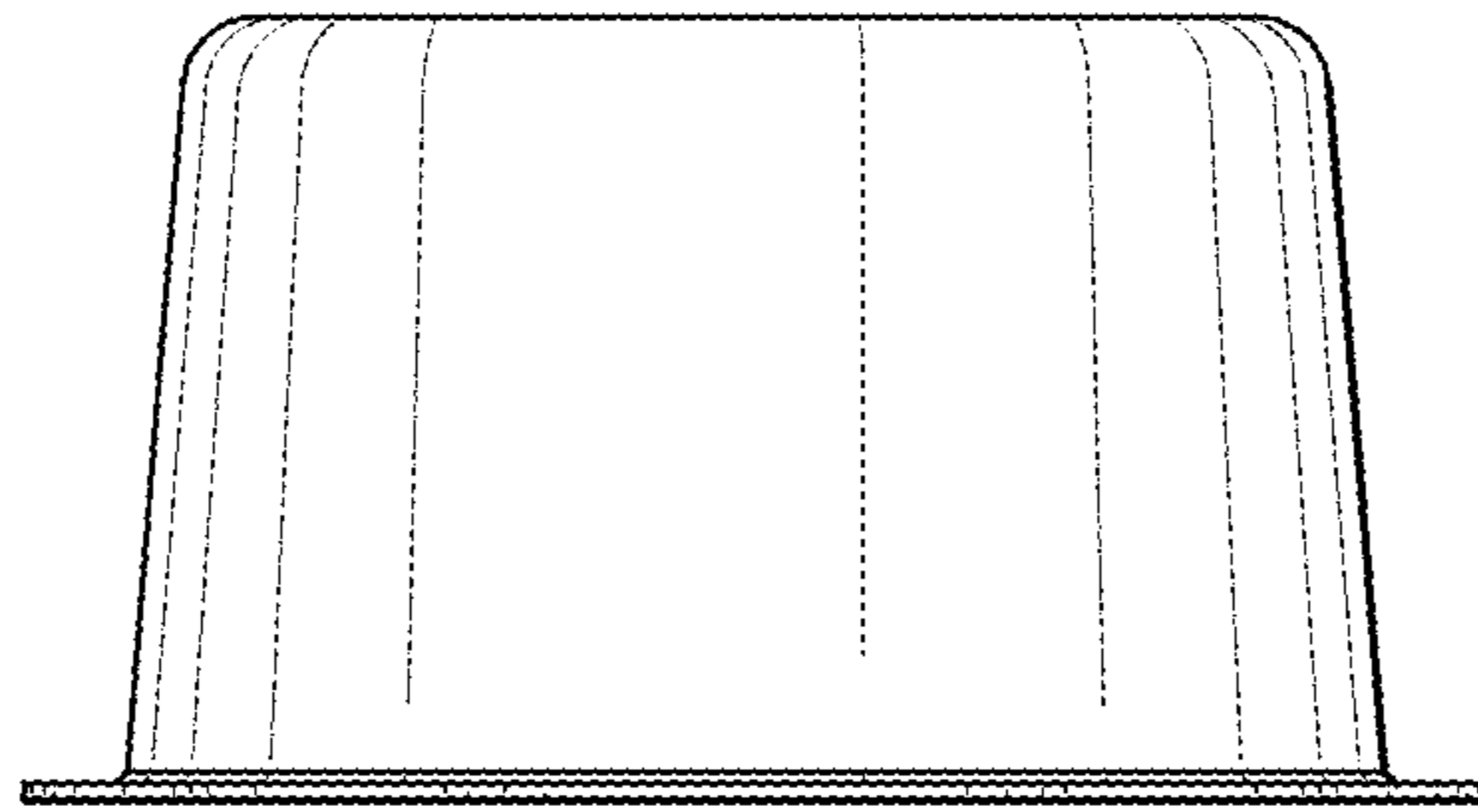


FIG. 3

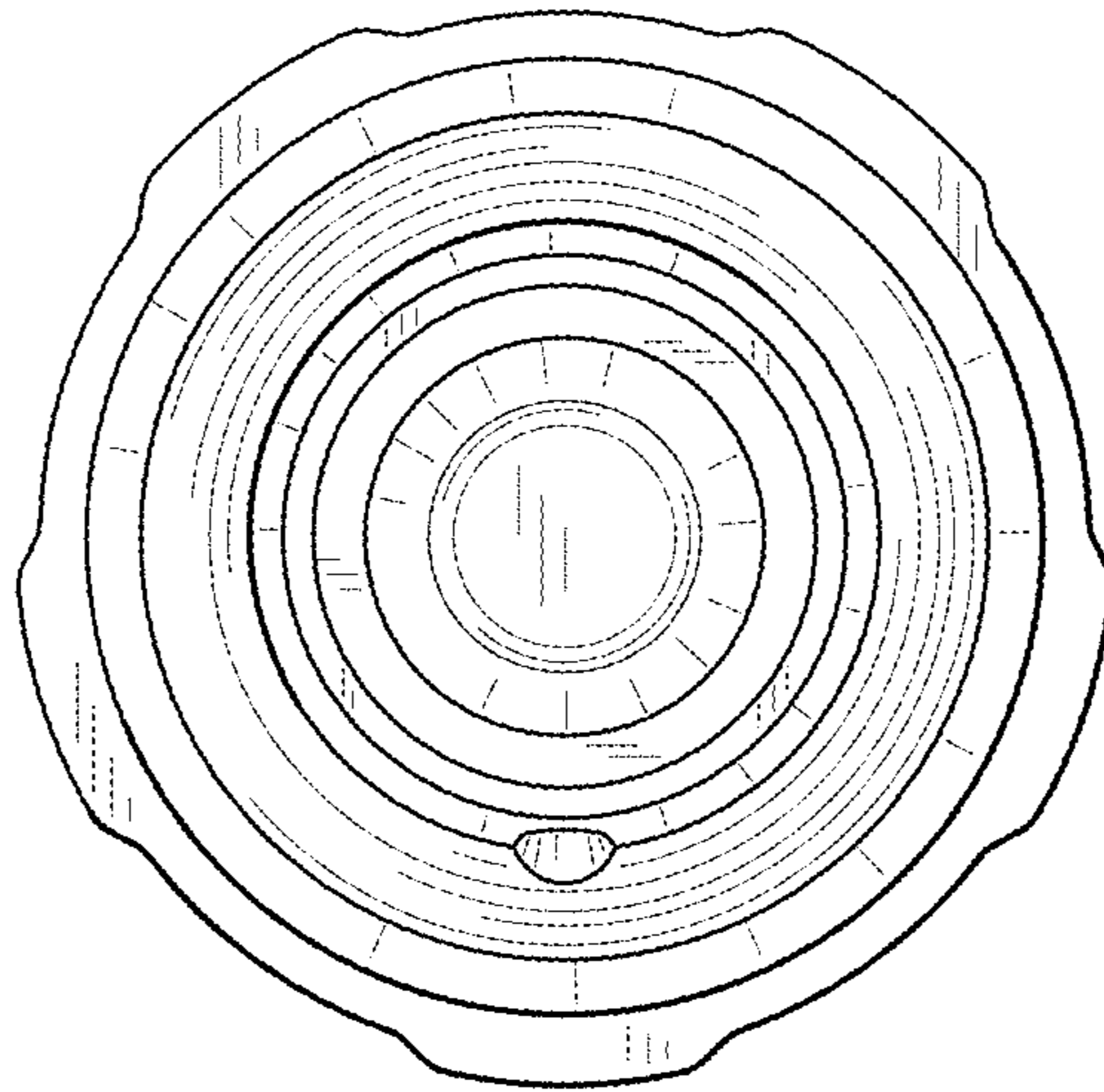


FIG. 4

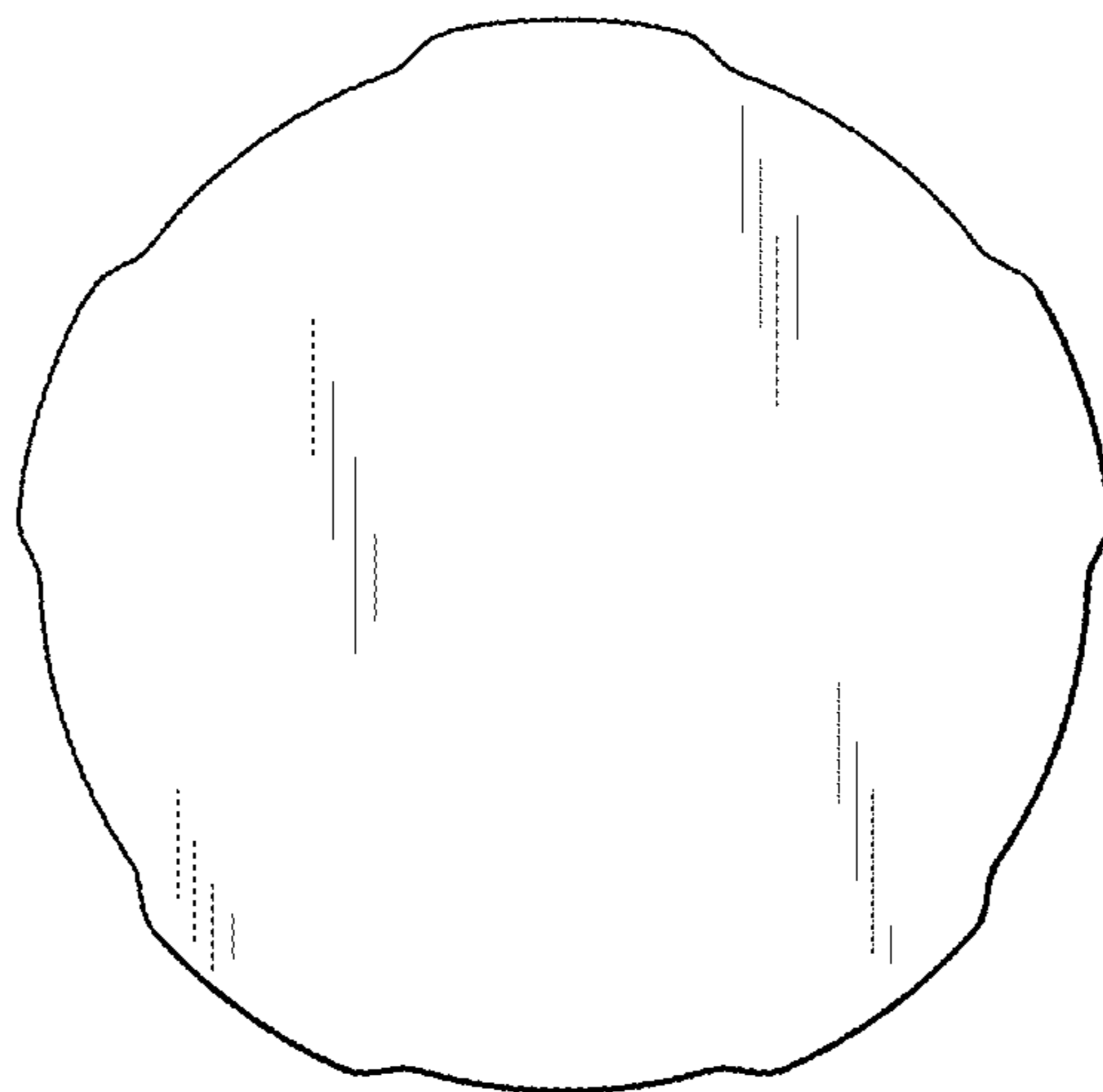


FIG. 5