



US00D973482S

(12) **United States Design Patent** (10) **Patent No.:** **US D973,482 S**  
**Kiefiuk et al.** (45) **Date of Patent:** **\*\* Dec. 27, 2022**

(54) **PACKAGING**

(71) Applicant: **Apple Inc.**, Cupertino, CA (US)  
(72) Inventors: **Kelsey M. Kiefiuk**, Culver City, CA (US); **Teresa Y. Yen**, Arcadia, CA (US); **Shannon M. McGrath**, Los Angeles, CA (US); **Megan J. Burmeister**, Manhattan Beach, CA (US); **Bart Jansen**, Brooklyn, NY (US); **Hamish Thain**, New York, NY (US); **Michael Rodriguez**, Brooklyn, NY (US)

(73) Assignee: **Apple Inc.**, Cupertino, CA (US)

(\*\*) Term: **15 Years**

(21) Appl. No.: **29/705,035**

(22) Filed: **Sep. 9, 2019**

(51) **LOC (13) Cl.** ..... **09-03**

(52) **U.S. Cl.**  
USPC ..... **D9/415**; D9/414

(58) **Field of Classification Search**  
USPC ..... D9/414-419, 420-423, 430-434, 721, D9/722; D3/290, 304, 315; D20/10, 22, D20/27, 40, 42  
CPC ..... B65D 5/48; B65D 5/20; B65D 5/0015; B65D 5/061; B65D 5/18; B65D 5/32; B65D 5/321; B65D 5/322  
See application file for complete search history.

(56) **References Cited**

**U.S. PATENT DOCUMENTS**

221,244 A \* 11/1879 Matchett ..... B65D 5/32 229/148  
D373,723 S \* 9/1996 Healey ..... D9/759  
D375,680 S \* 11/1996 Liebermann ..... D9/414  
D375,681 S \* 11/1996 Liebermann ..... D9/414  
D596,485 S \* 7/2009 Andre et al.  
D652,294 S \* 1/2012 Seneca ..... D9/721

D662,835 S 7/2012 Akana et al.  
D704,072 S 5/2014 Akana et al.  
D704,073 S 5/2014 Akana et al.  
D706,628 S \* 6/2014 Palmer ..... D9/433  
D709,364 S \* 7/2014 Olsson ..... D9/432  
D712,279 S 9/2014 Akana et al.  
D741,710 S \* 10/2015 Katopo ..... D9/433  
D806,537 S 1/2018 Cernokus et al.  
D808,281 S 1/2018 Akana et al.

(Continued)

*Primary Examiner* — Mehri F Bajoul  
(74) *Attorney, Agent, or Firm* — Sterne, Kessler, Goldstein & Fox P.L.L.C.

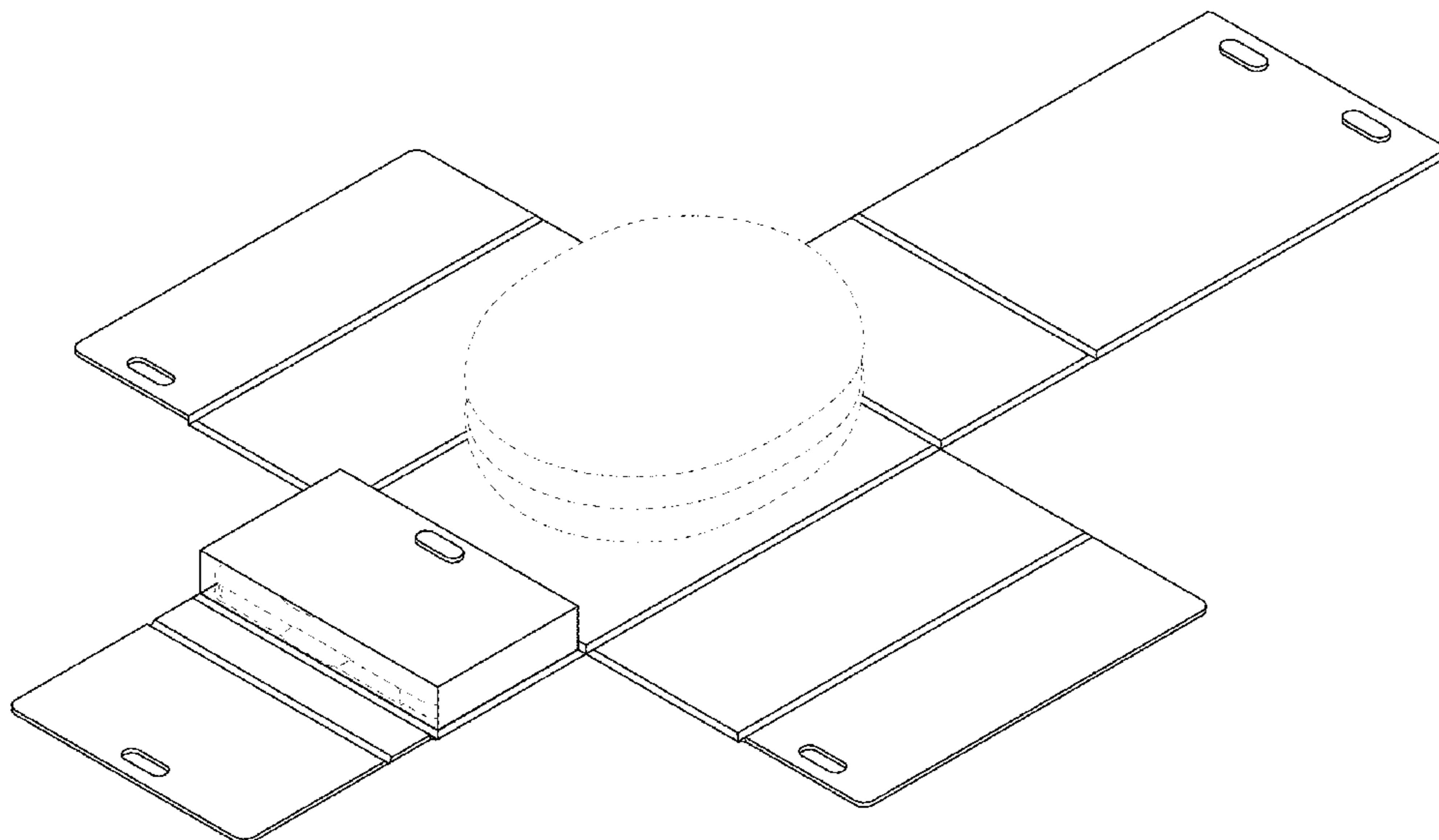
(57) **CLAIM**

The ornamental design for a packaging, as shown and described.

**DESCRIPTION**

FIG. 1 is a top front perspective view of packaging showing the claimed design in a closed configuration;  
FIG. 2 is a front view thereof;  
FIG. 3 is a rear view thereof;  
FIG. 4 is a left side view thereof;  
FIG. 5 is a right side view thereof;  
FIG. 6 is a top view thereof;  
FIG. 7 is a bottom view thereof;  
FIG. 8 is a top front perspective view of packaging showing the claimed design in an open configuration;  
FIG. 9 is a front view thereof;  
FIG. 10 is a rear view thereof;  
FIG. 11 is a left side view thereof;  
FIG. 12 is a right side view thereof;  
FIG. 13 is a top view thereof;  
FIG. 14 is a bottom view thereof; and,  
FIG. 15 is a top front perspective view thereof, showing the claimed design in an environment of use.  
The broken lines in the figures show environment that forms no part of the claimed design.

**1 Claim, 10 Drawing Sheets**



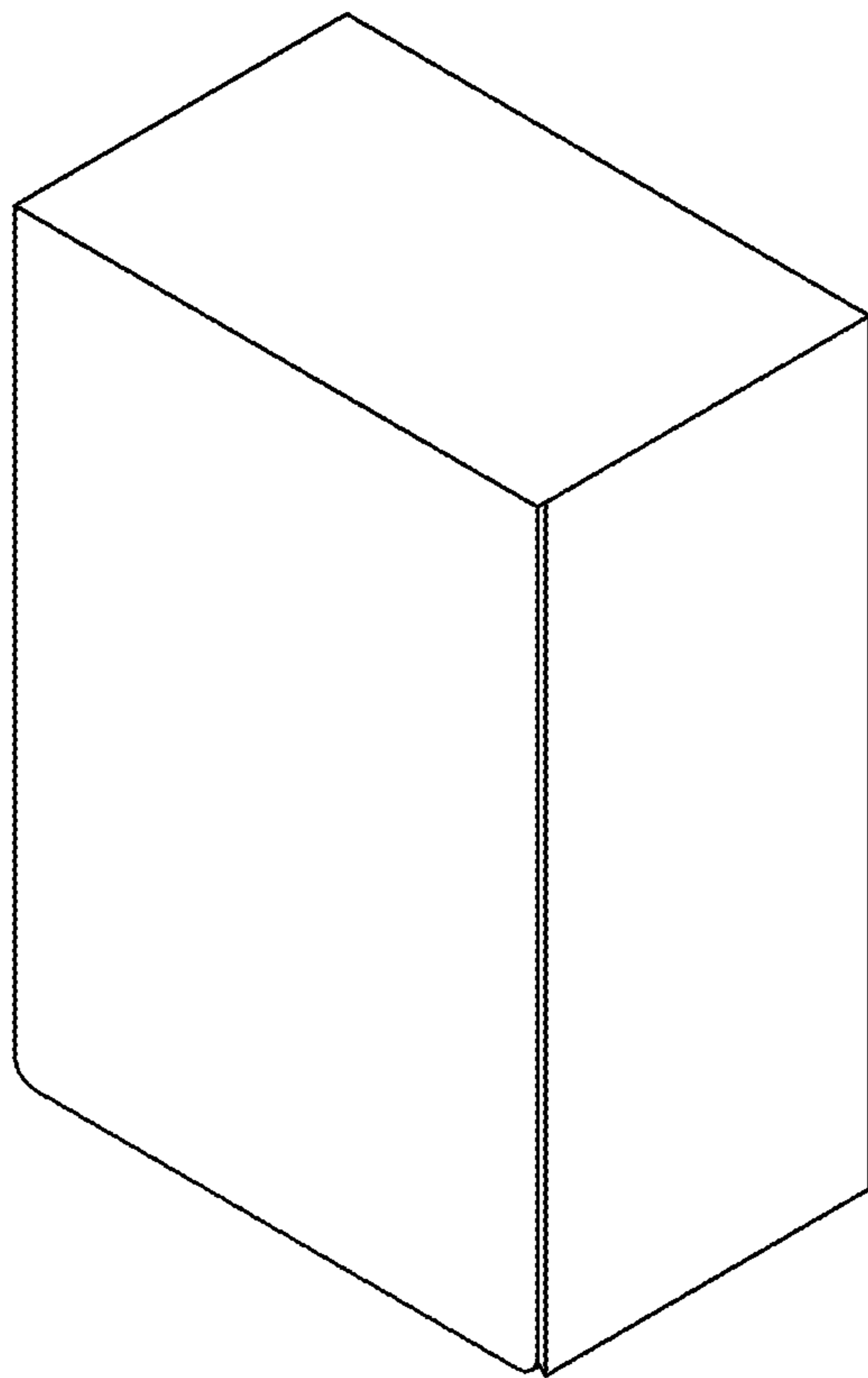
(56)

**References Cited**

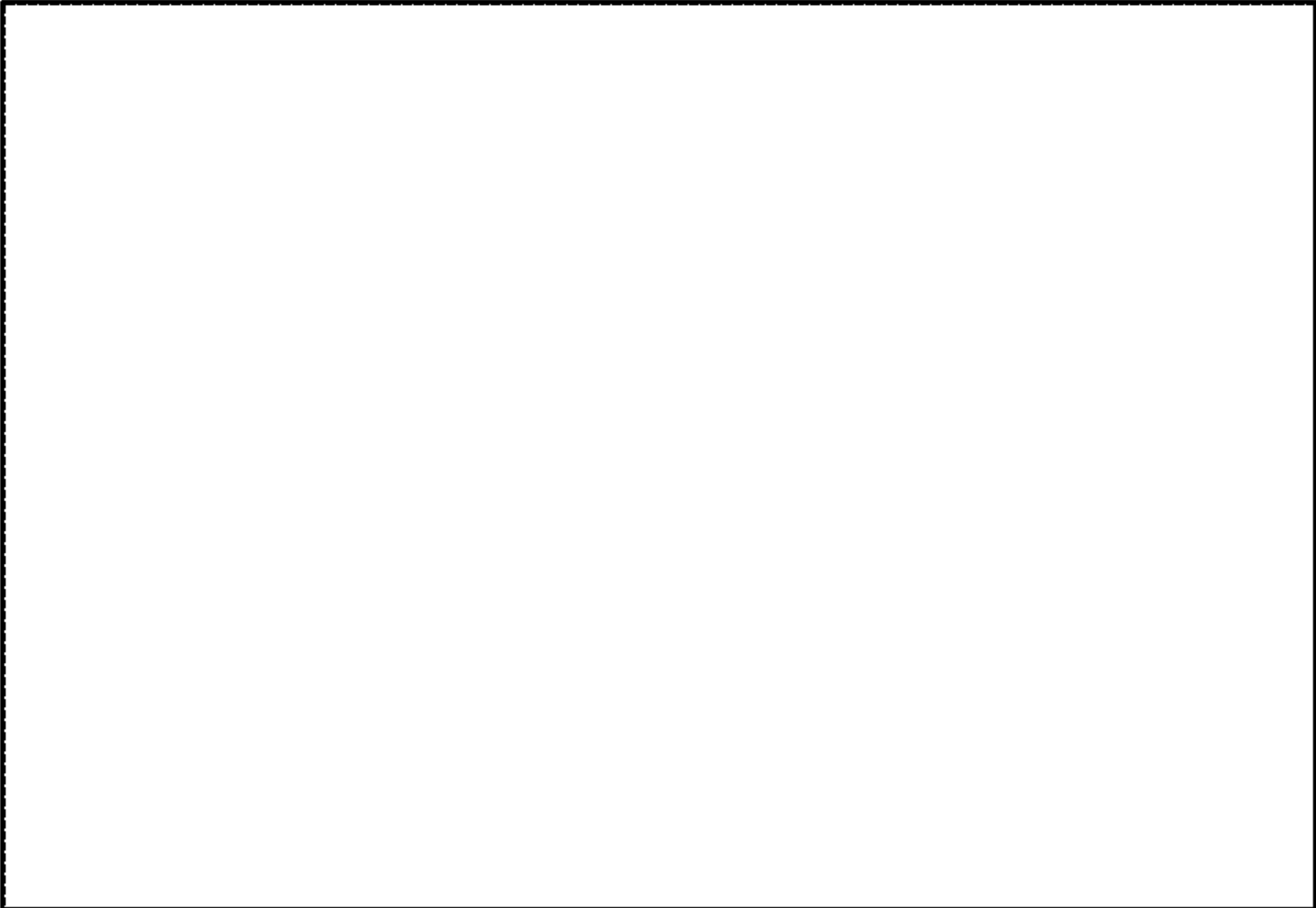
U.S. PATENT DOCUMENTS

D821,870 S *	7/2018	Fly .....	D9/414
D831,480 S *	10/2018	Arazi .....	D9/433
D843,827 S *	3/2019	Nelson .....	D9/415
D861,497 S	10/2019	Cernokus et al.	
D874,267 S *	2/2020	Perella .....	D9/432
D896,092 S *	9/2020	Wu .....	D9/627
D904,869 S *	12/2020	Nelson .....	D9/415
D908,478 S *	1/2021	Nelson .....	D9/415
D911,833 S *	3/2021	Toroyan .....	D9/416
D926,568 S *	8/2021	Natsume .....	D9/432
D929,240 S *	8/2021	Choi .....	D9/722
D948,334 S *	4/2022	Hafen .....	D9/432
D958,650 S *	7/2022	O'Neil .....	D9/432
2021/0061513 A1 *	3/2021	Kiefiuk .....	B65D 5/48002

\* cited by examiner



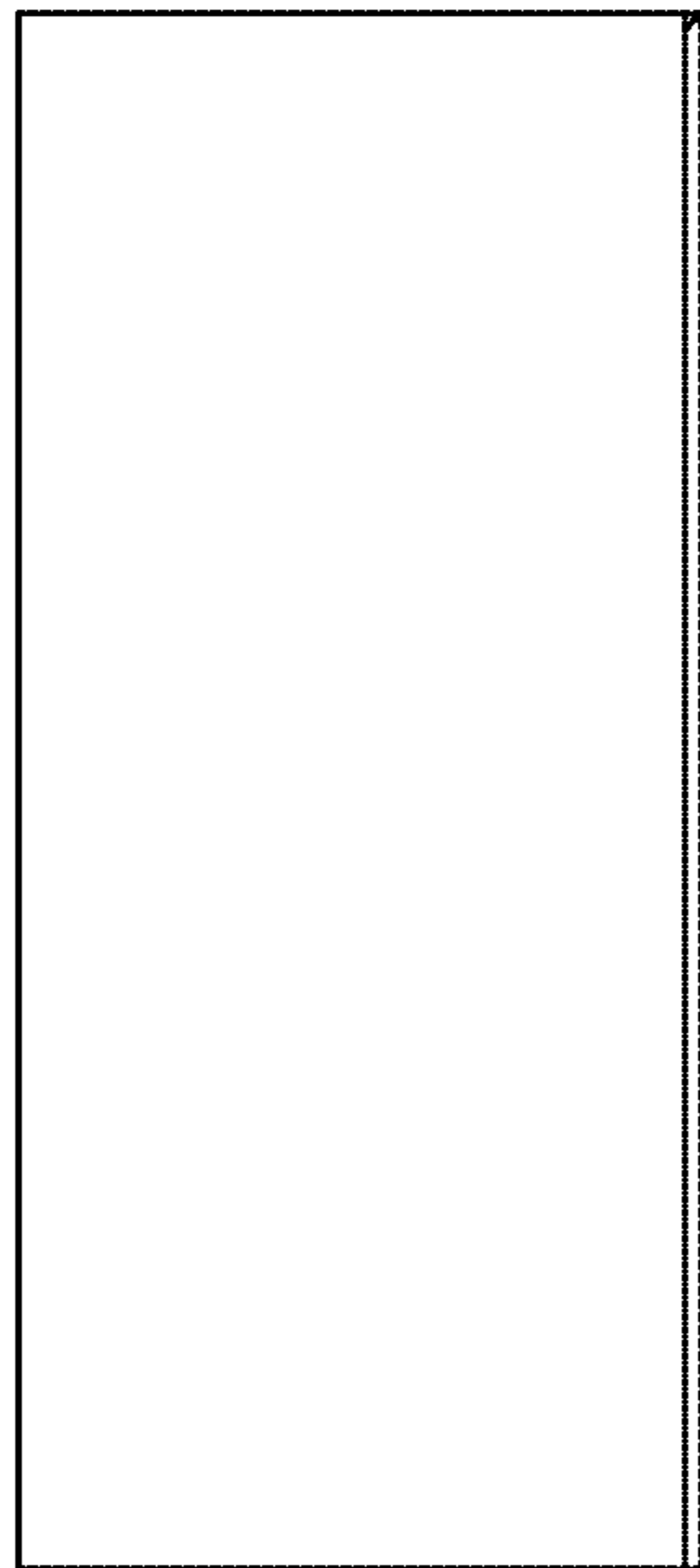
**FIG. 1**



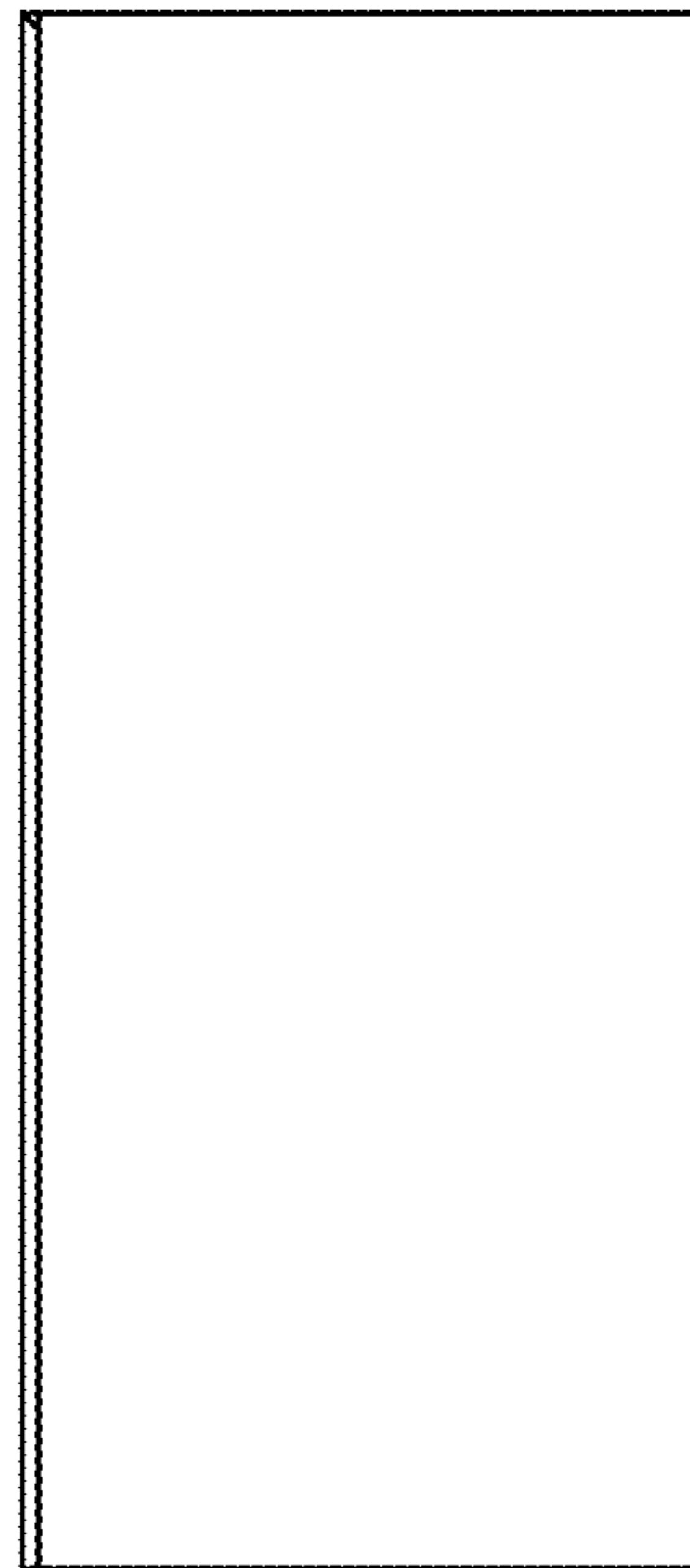
*FIG. 3*



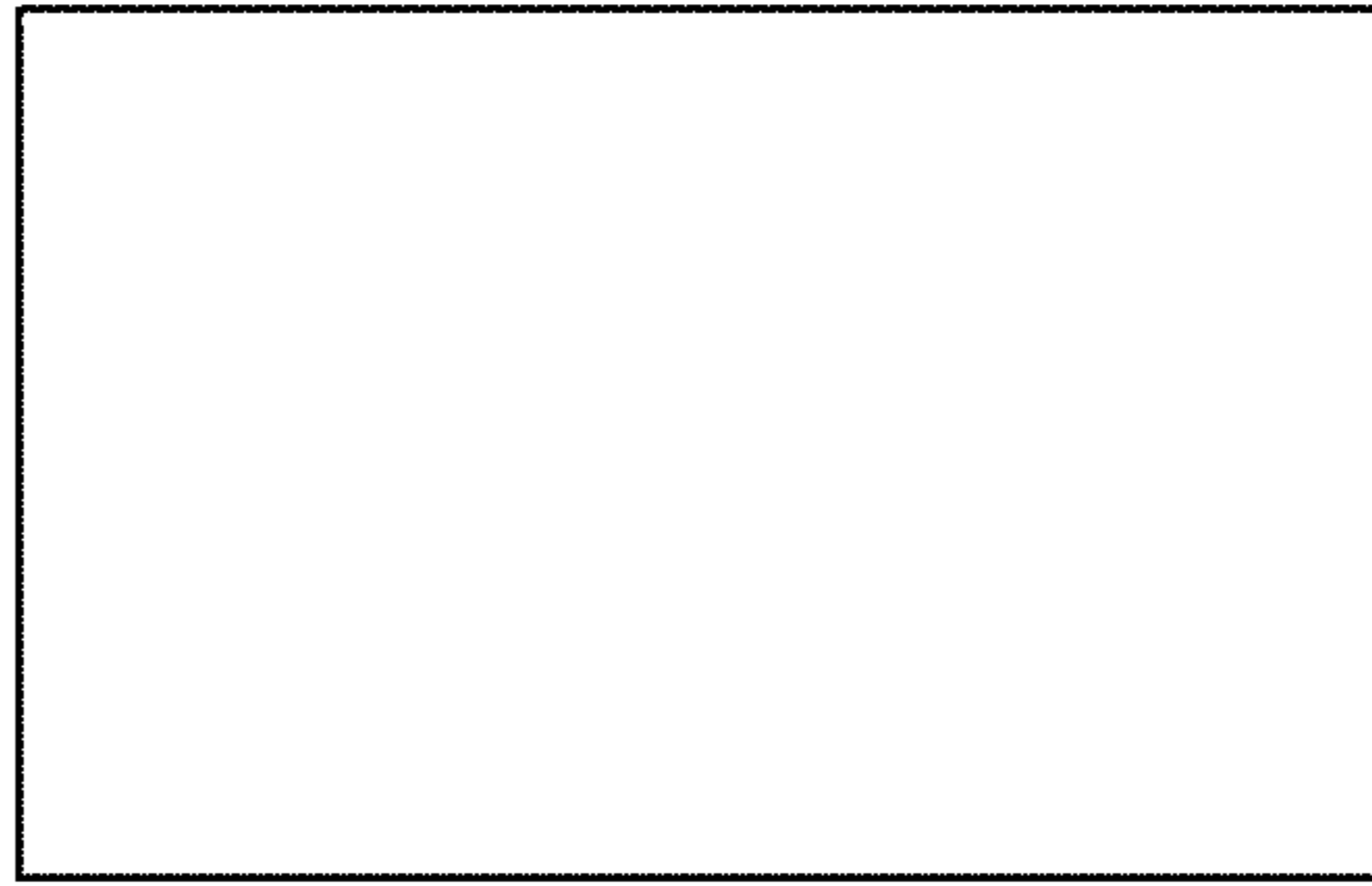
*FIG. 2*



**FIG. 4**



**FIG. 5**



**FIG. 6**



**FIG. 7**

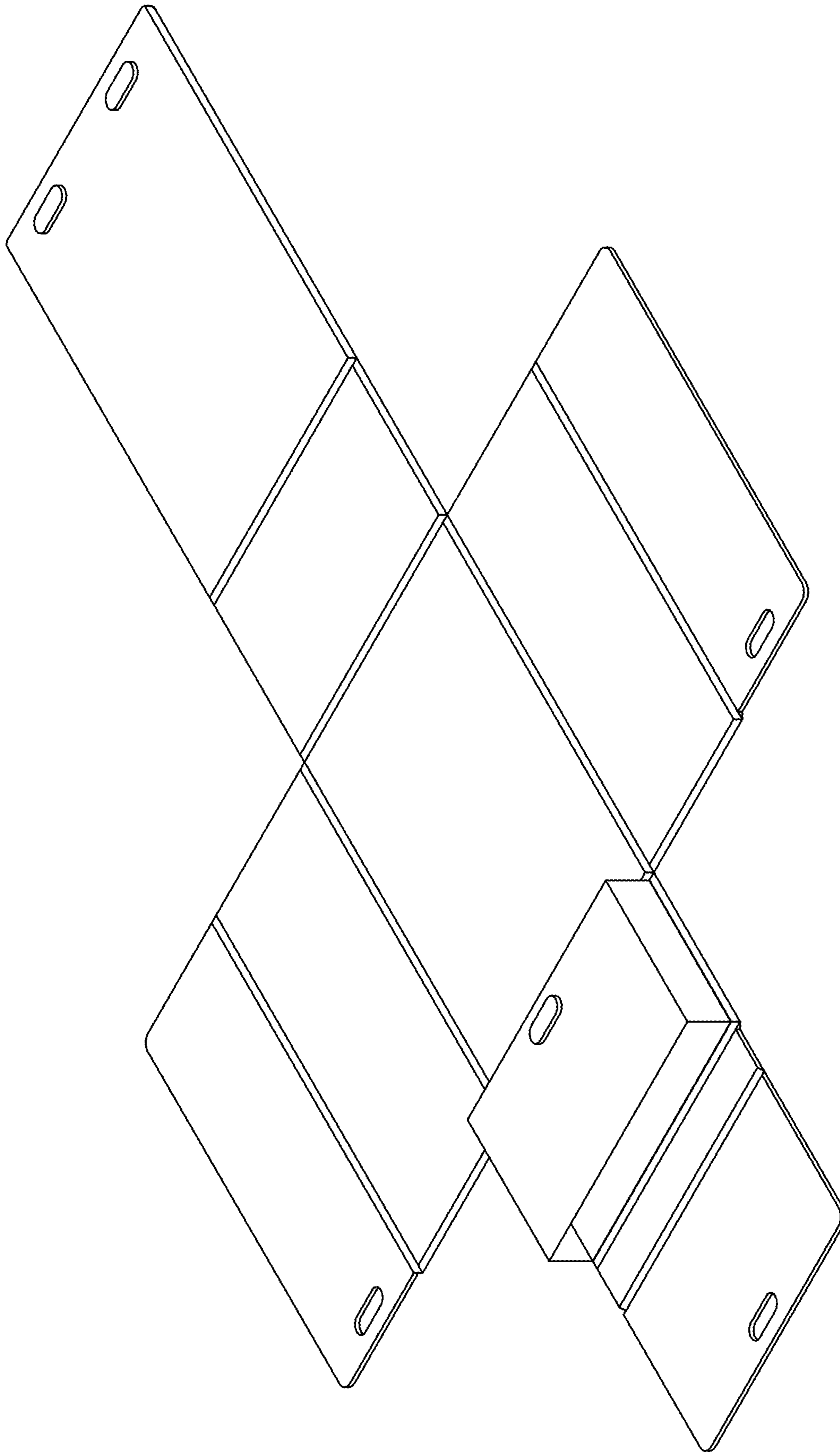


FIG. 8

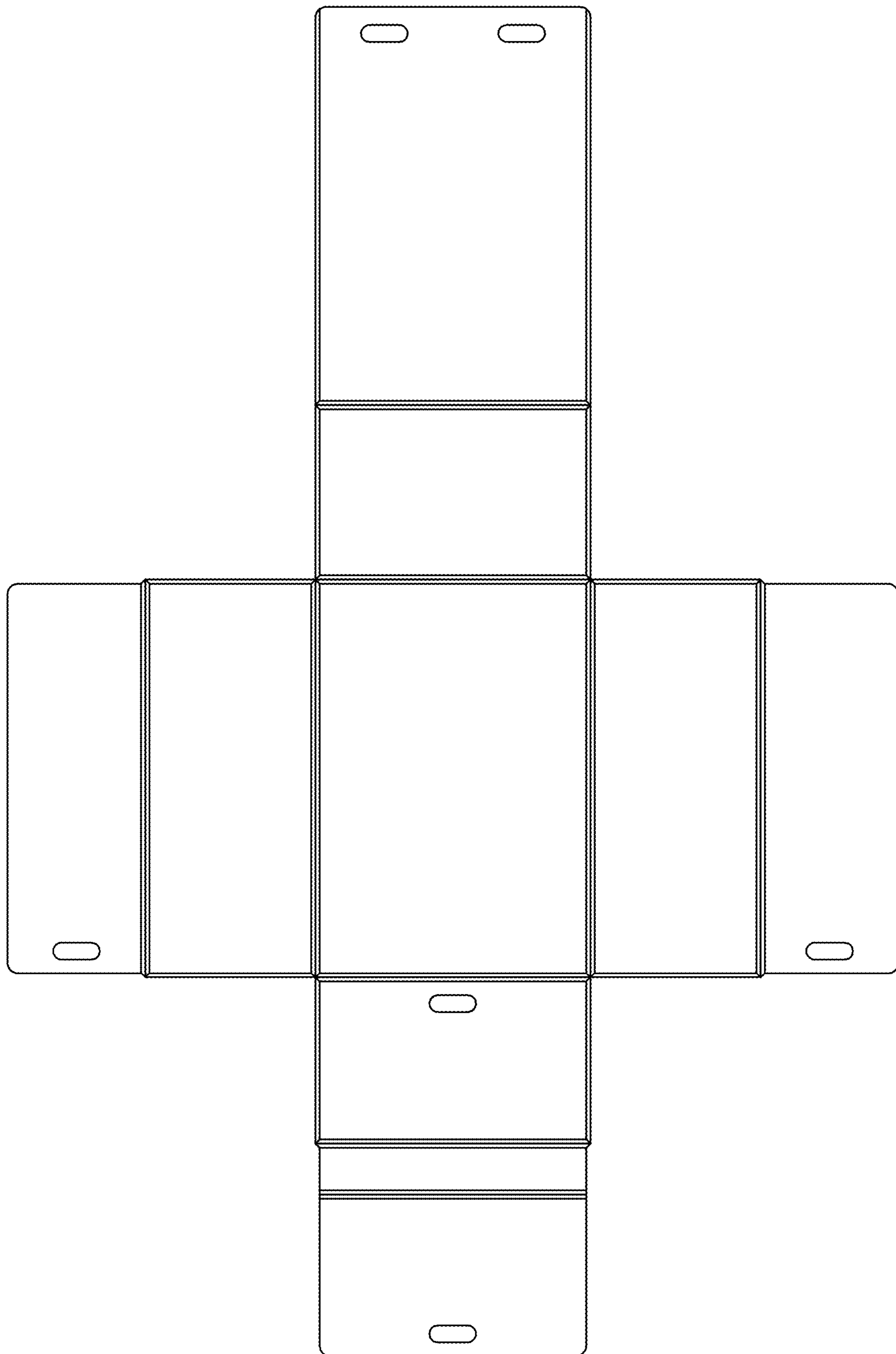
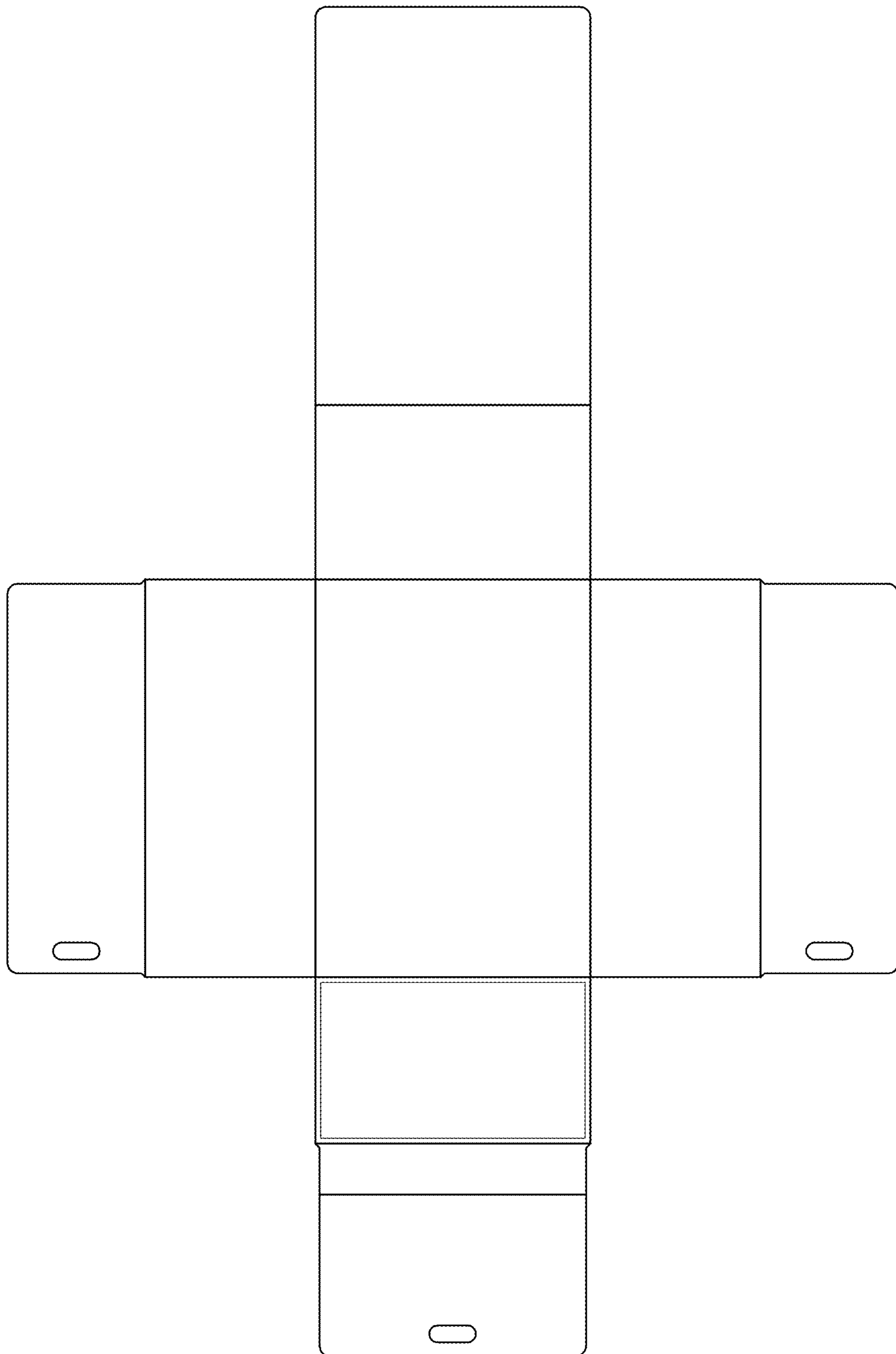
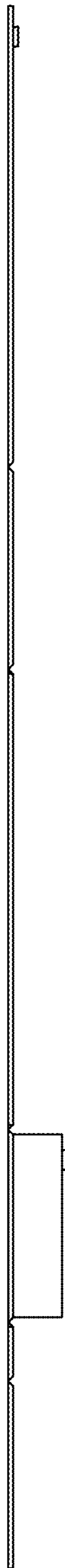


FIG. 9





**FIG. 10**



**FIG. 11**



**FIG. 12**



**FIG. 13**



**FIG. 14**

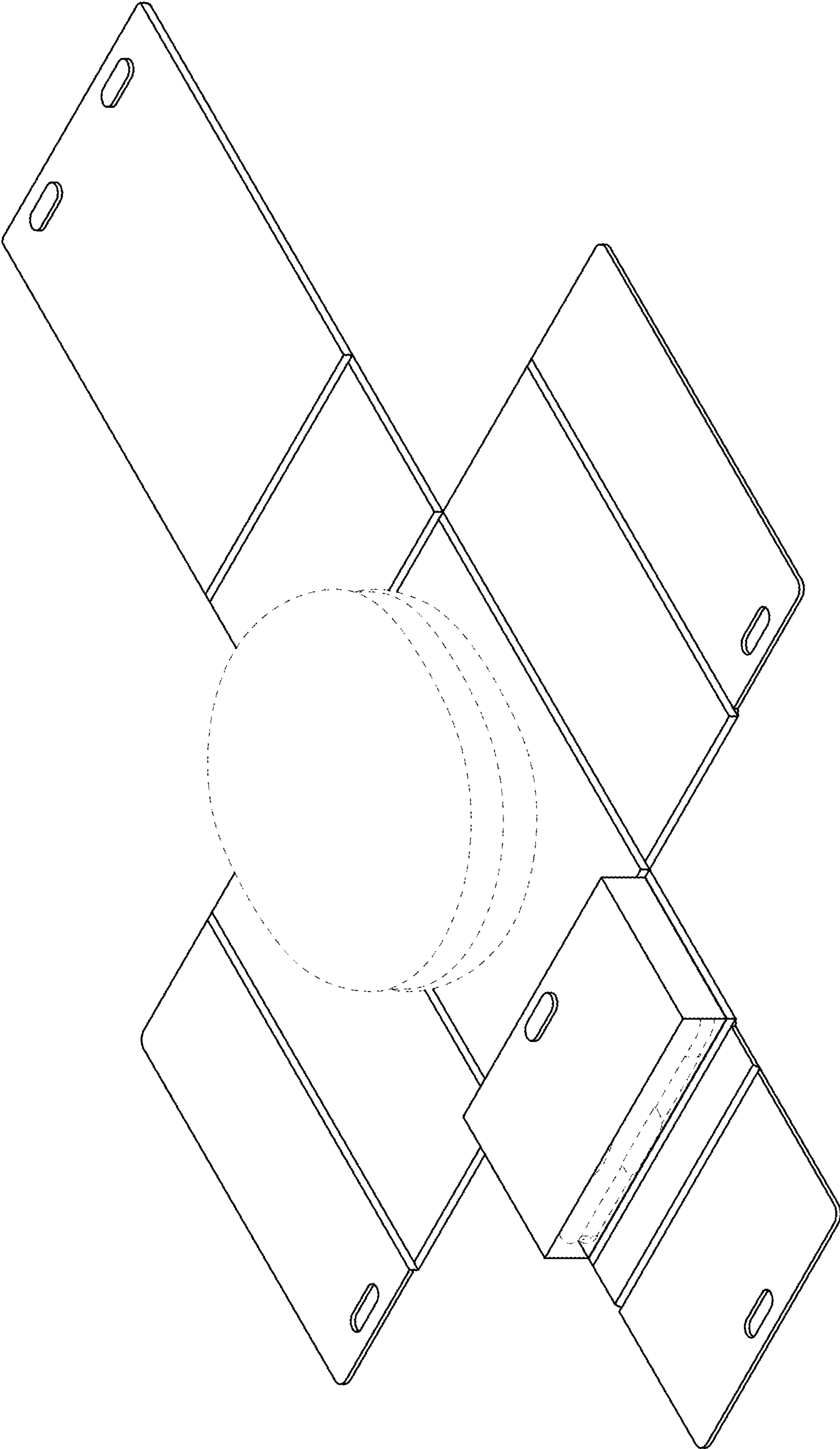


FIG. 15