



US00D973478S

(12) **United States Design Patent** (10) **Patent No.:** **US D973,478 S**
Dupont-Madinier et al. (45) **Date of Patent:** **** Dec. 27, 2022**

(54) **CLIP** 3,952,985 A * 4/1976 Davenport F21V 21/08
248/228.7
(71) Applicant: **CERTAINEED CORPORATION**, 4,119,285 A 10/1978 Bisping et al.
Malvern, PA (US) 4,135,692 A 1/1979 Ferguson
4,564,165 A 1/1986 Grant et al.
(72) Inventors: **Kim Dupont-Madinier**, Somerville, 4,648,229 A 3/1987 Limp
MA (US); **Conor Patrick McDonald**, D289,251 S * 4/1987 Joseph 248/228.7
Cleveland, OH (US) 4,742,662 A 5/1988 Smith
4,848,054 A 7/1989 Blitzer
(Continued)

(73) Assignee: **CERTAINEED LLC**, Malvern, PA (US)

FOREIGN PATENT DOCUMENTS

(**) Term: **15 Years** CA 175001 10/2020
CA 182042 10/2020

(21) Appl. No.: **29/743,893** (Continued)

(22) Filed: **Jul. 24, 2020** **OTHER PUBLICATIONS**

Related U.S. Application Data

(62) Division of application No. 29/681,617, filed on Feb. 27, 2019, now Pat. No. Des. 893,994, which is a division of application No. 29/586,032, filed on Nov. 30, 2016, now Pat. No. Des. 846,978.

Snap-On Trim Clip Panel Range, Google.com, [online], [site visited May 3, 2022], Available from internet URL: https://www.kljack.com/products/av9416/?gclid=EAlalQobChMlrY7ChNrE9wIVBsmUCR0GLQE6EAQYFiABEgKGr_D_BwE (Year: NA).*

(Continued)

(51) **LOC (13) Cl.** **08-08**

(52) **U.S. Cl.**
USPC **D8/394**

Primary Examiner — Leanne Was-Englehart
(74) *Attorney, Agent, or Firm* — Abel Schillinger, LLP;
Thomas H. Osborn

(58) **Field of Classification Search**
USPC D8/394-6, 349, 352, 382, 72-3;
D11/214-5, 1, 95, 200; D16/242, 245;
D25/47.1, 48.7, 60, 119, 125, 715, 114
CPC . E04F 13/0846; E04F 13/0826; E04F 13/142;
E04F 13/0885; E04F 13/0862; E04F
2015/02094

(57) **CLAIM**

The ornamental design for a clip, as shown and described.

See application file for complete search history.

DESCRIPTION

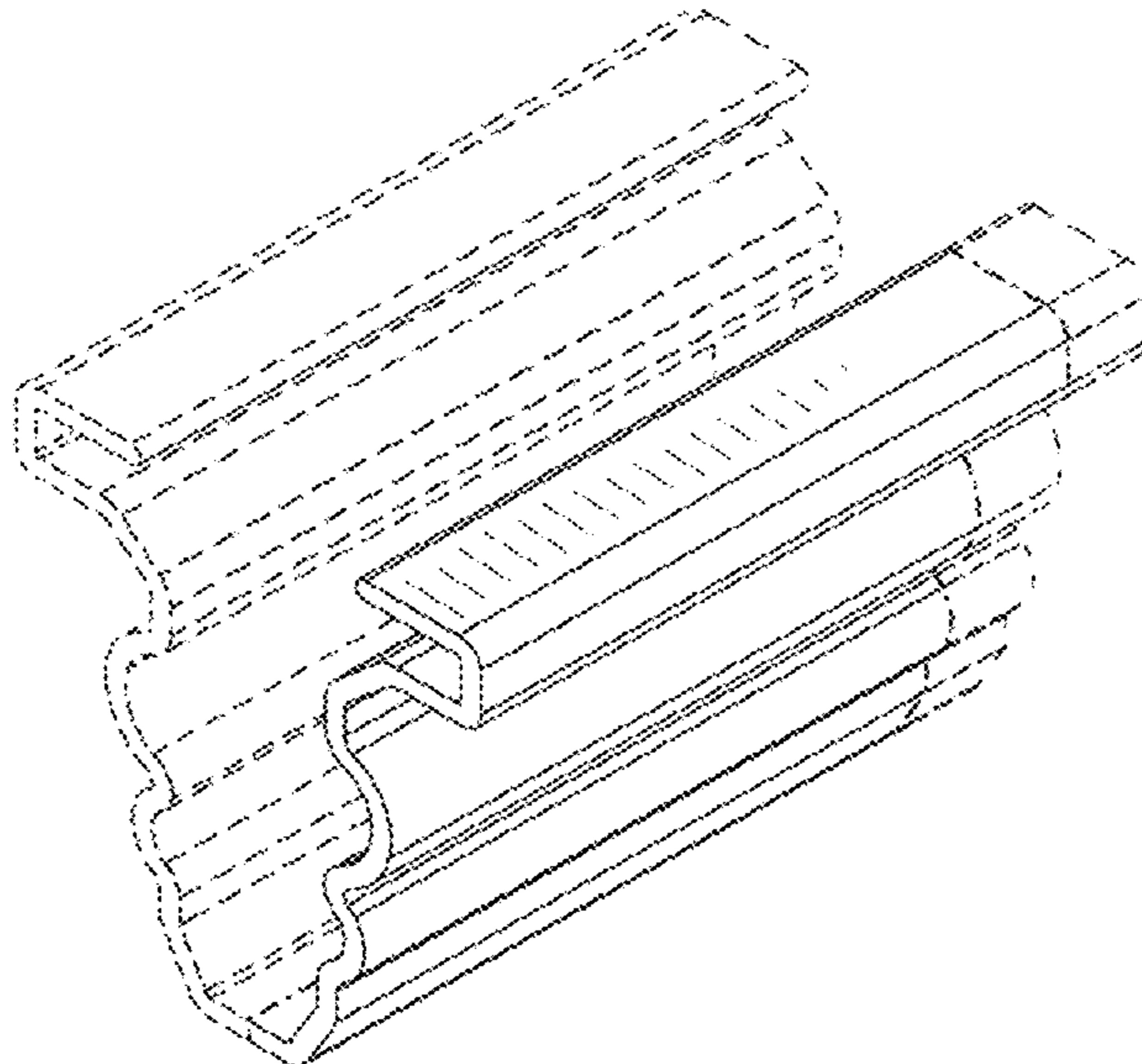
The sole FIGURE is a perspective view of a clip showing our new design.
The dash lines in the FIGURE depict environmental subject matter and form no part of the claimed design. The dot-dash lines depict the boundaries of the claim and form no part thereof.

(56) **References Cited**

U.S. PATENT DOCUMENTS

2,807,431 A 9/1957 McHale
3,618,176 A 11/1971 Barnes
3,683,100 A 8/1972 Deal

1 Claim, 1 Drawing Sheet



(56)

References Cited

U.S. PATENT DOCUMENTS

4,926,606 A * 5/1990 Hanson E04B 9/065
52/506.07
D319,006 S 8/1991 Talbot
D321,639 S 11/1991 Adams
D328,187 S * 7/1992 Saurette D25/123
D339,981 S 10/1993 Barnes
5,265,393 A 11/1993 Bischel et al.
5,421,132 A 6/1995 Bischel et al.
D364,799 S 12/1995 Callas
5,495,697 A 3/1996 Bischel
5,533,696 A * 7/1996 Laughlin F16L 3/12
248/74.1
5,806,823 A 9/1998 Callas
5,845,447 A 12/1998 Bodine et al.
5,954,300 A 9/1999 Sturies et al.
D429,001 S 8/2000 Benz et al.
6,655,099 B1 12/2003 Trenoweth
6,659,521 B2 12/2003 Hill et al.
D488,055 S 4/2004 Ter Braak
6,725,618 B2 * 4/2004 Albracht E04F 13/0864
52/525
D501,564 S 5/2005 Kuramochi
D541,953 S 5/2007 Deleu
D572,129 S * 7/2008 Keays 24/453
7,392,629 B1 7/2008 Bankston et al.
D605,102 S 12/2009 Peschmann
D611,887 S 3/2010 Peschmann
D616,567 S 5/2010 Desrosiers et al.
D616,568 S 5/2010 Desrosiers et al.
D616,946 S 6/2010 Garfinkle et al.
D632,554 S * 2/2011 Grzyb D8/395
D635,692 S 4/2011 Wirthgen
D638,773 S 5/2011 Laverack et al.
D655,752 S 3/2012 King et al.
D665,922 S 8/2012 Yoder
D669,770 S 10/2012 Lapping et al.
D671,391 S * 11/2012 Komeno D8/356
8,359,802 B1 1/2013 Burnett et al.
D679,177 S 4/2013 Craig et al.
D685,626 S * 7/2013 Komeno D8/356
D688,122 S * 8/2013 Wasco D8/394
D690,583 S 10/2013 Sendra-Gonzalez et al.
9,109,368 B2 8/2015 MacKenzie
9,217,247 B2 12/2015 Behling et al.
9,297,166 B2 3/2016 Carbines

D756,764 S 5/2016 Limber
D762,457 S 8/2016 Lo et al.
D781,693 S 3/2017 Roan et al.
D781,694 S 3/2017 Iwata et al.
D816,475 S 5/2018 Ochi
9,982,742 B2 5/2018 Loewe et al.
D846,978 S * 4/2019 Dupont-Madinier D8/395
D854,405 S * 7/2019 Dupont-Madinier D8/395
D869,944 S 12/2019 Dupont-Madinier et al.
D873,652 S * 1/2020 Dupont-Madinier D8/395
D893,994 S * 8/2020 Dupont-Madinier D8/394
2002/0060280 A1 5/2002 Yaphe
2006/0174562 A1 8/2006 Insalaco
2009/0242715 A1 10/2009 Kosidlo
2010/0192495 A1 * 8/2010 Huff E04F 13/14
52/302.1
2011/0247287 A1 10/2011 Lynch
2015/0152645 A1 6/2015 Burnett
2015/0262516 A1 9/2015 White
2017/0099745 A1 4/2017 Dang et al.
2018/0320384 A1 11/2018 Pinnegar

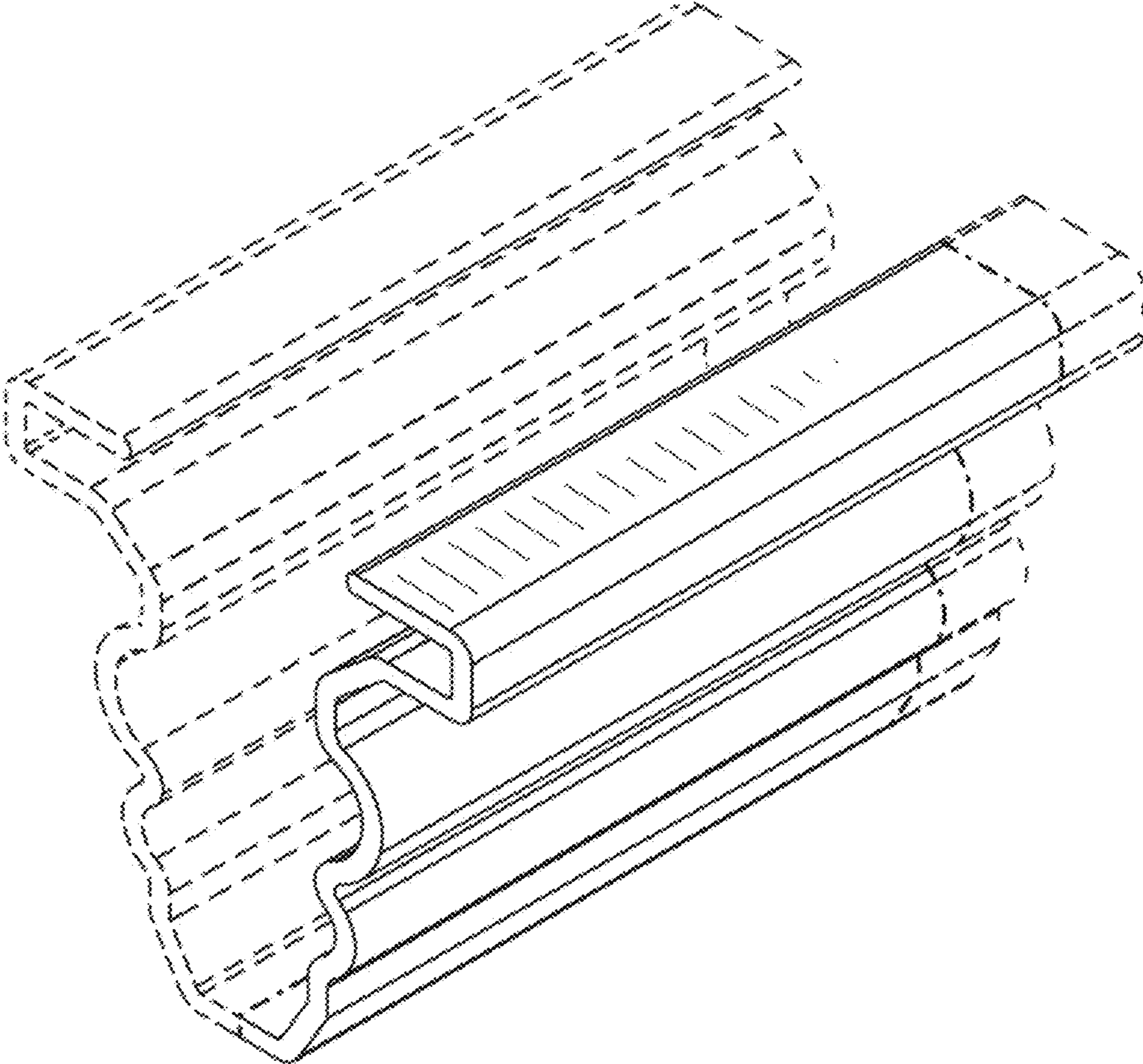
FOREIGN PATENT DOCUMENTS

CA 182043 10/2020
CA 182047 10/2020
EM 008594881-0001 * 7/2021
EP 0421255 A2 4/1991
EP 0306463 B1 10/1991

OTHER PUBLICATIONS

Audi VW Clamp Clip—Genuine VW Audi 4A0867276A, Google.com, [online], [site visited May 3, 2022], Available from internet URL: https://www.kljack.com/products/av9416/?gclid=EAlalQobChMlrY7ChNrE9wIVBsmUCR0GLQE6EAQYFiABEgKGr_D_BwE (Year: NA).
Clipper Diffusion, Google.com, [online], [site visited May 2, 2022], Available from internet URL: <https://www.quincaillerie-verre.fr/clipper-diffusion-profil-f209-laque-blanc-ral9016-satine-2-cales-2-equerres-longueur-de-3m-34315.html> (Year: NA).
Clipper diffusion—F317BL9010, Google.com, [online], [site visited May 2, 2022], Available from internet URL: <https://www.verresetmiroirs.com/clipper-diffusion-profil-f317-f300-blanc-9010-en-2x2-5m-pour-verre-sur-chassis-fixe-en-cloison-34694.html> (Year: NA).

* cited by examiner



UNITED STATES PATENT AND TRADEMARK OFFICE
CERTIFICATE OF CORRECTION

PATENT NO. : D973,478 S
APPLICATION NO. : 29/743893
DATED : December 27, 2022
INVENTOR(S) : Kim Dupont-Madinier et al.

Page 1 of 1

It is certified that error appears in the above-identified patent and that said Letters Patent is hereby corrected as shown below:

On the Title Page

In Column 2, item (57), CLAIM, Line 1, please delete “a clip, as” and insert --a Clip, as--

In Column 2, item (57), DESCRIPTION, Line 1, please delete “The sole FIGURE” and insert --The SOLE FIGURE--

In Column 2, item (57), DESCRIPTION, Line 3, please delete “The dash lines” and insert --The dashed lines--

In Column 2, item (57), DESCRIPTION, Line 3-4, please delete “depict environmental subject matter and form” and insert --depict portions of the clip that form--

In Column 2, item (57), DESCRIPTION, Line 5, please delete “the boundaries of” and insert --the bounds of--

In Column 2, item (57), DESCRIPTION, Line 5-6, please delete “part thereof.” and insert --part of the claimed design.--

Signed and Sealed this
Twenty-third Day of April, 2024
Katherine Kelly Vidal

Katherine Kelly Vidal
Director of the United States Patent and Trademark Office