



US00D973476S

(12) **United States Design Patent**
Ryden

(10) **Patent No.:** **US D973,476 S**
(45) **Date of Patent:** **** Dec. 27, 2022**

- (54) **BRACKET PLUG FOR FASTENING OF A SHELF ON A BRACKET**
- (71) Applicant: **Elfa International AB**, Vastervik (SE)
- (72) Inventor: **Lars Ryden**, Vastervik (SE)
- (73) Assignee: **Elfa International AB**, Vastervik (SE)
- (**) Term: **15 Years**

3,759,191 A * 9/1973 Freeman A47B 57/30
108/42
3,826,207 A * 7/1974 Sutherland A47B 57/485
108/108
3,835,610 A * 9/1974 Harper F16B 12/24
403/231
3,921,280 A 11/1975 King, Jr.
D243,440 S * 2/1977 Strinning D8/381
4,060,949 A * 12/1977 Busse F16B 12/24
403/231

(Continued)

- (21) Appl. No.: **29/739,089**
- (22) Filed: **Jun. 22, 2020**
- (51) **LOC (13) Cl.** **08-05**
- (52) **U.S. Cl.**
USPC **D8/381**
- (58) **Field of Classification Search**
USPC D8/381, 382, 388, 349, 354
CPC A47B 57/485; A47B 57/54; A47B 47/042;
A47B 96/066; F16B 2012/103; F16B
12/22; F16B 12/24; F16B 12/36; F16B
13/02

See application file for complete search history.

(56) **References Cited**

U.S. PATENT DOCUMENTS

D26,771 S * 3/1897 Held D8/380
1,393,012 A * 10/1921 Dilg A47B 57/485
248/243
1,829,009 A * 10/1931 Madsen A47B 57/485
248/243
2,104,831 A * 1/1938 Dauskardt A47B 57/485
248/201
2,767,950 A * 10/1956 Bellon F16B 41/002
248/243
3,235,219 A * 2/1966 Green F16B 21/02
248/239
3,259,079 A * 7/1966 Freeman A47B 57/54
108/59
D225,508 S * 12/1972 Freeman D8/381

FOREIGN PATENT DOCUMENTS

CN 301497888 * 3/2011
DE 10354114 A1 8/2004

(Continued)

Primary Examiner — Sheryl Lane
Assistant Examiner — Ieisha N Price
(74) *Attorney, Agent, or Firm* — Hubbard Law, PLLC

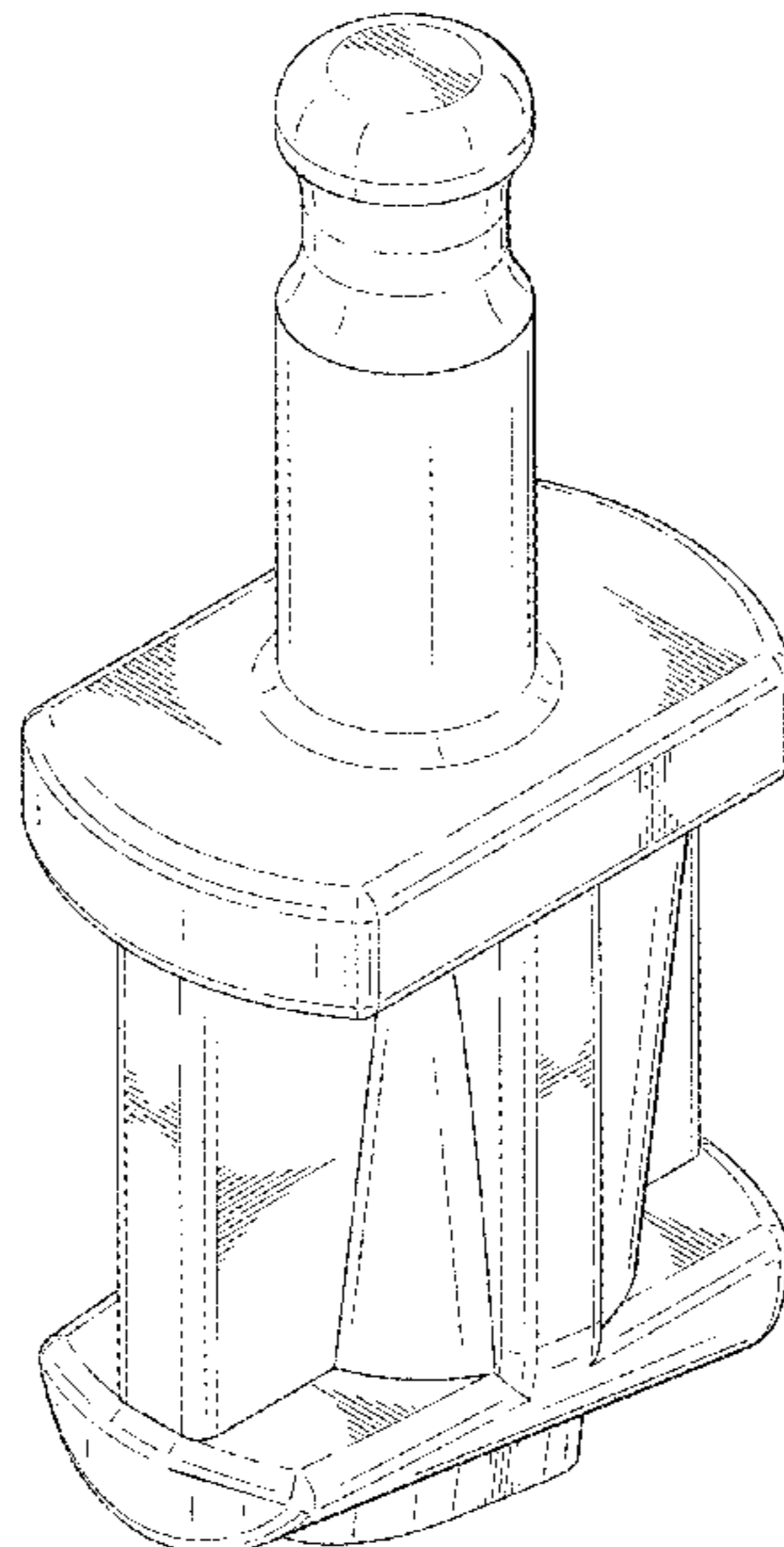
(57) **CLAIM**

The ornamental design for a bracket plug for fastening of a shelf on a bracket, as shown and described.

DESCRIPTION

FIG. 1 is a front perspective view of a bracket plug for fastening of a shelf on a bracket;
FIG. 2 is a front elevation view of the bracket plug for fastening of a shelf on a bracket of FIG. 1;
FIG. 3 is a left side view of the bracket plug for fastening of a shelf on a bracket of FIG. 1;
FIG. 4 is a right side view of the bracket plug for fastening of a shelf on a bracket of FIG. 1;
FIG. 5 is a rear elevation side view of the bracket plug for fastening of a shelf on a bracket of FIG. 1;
FIG. 6 is a top view of the bracket plug for fastening of a shelf on a bracket of FIG. 1; and,
FIG. 7 is a bottom view of the bracket plug for fastening of a shelf on a bracket of FIG. 1.

1 Claim, 5 Drawing Sheets



(56)

References Cited

U.S. PATENT DOCUMENTS

D251,108 S * 2/1979 Desilets D8/381
 4,236,848 A * 12/1980 Rock F16B 12/2063
 403/231
 D260,717 S * 9/1981 Gusdorf D8/381
 4,836,729 A 6/1989 Bisping
 5,069,408 A 12/1991 Bessinger
 D354,432 S * 1/1995 Starman D8/382
 D393,417 S * 4/1998 Glickman D8/382
 5,788,395 A * 8/1998 Grieser F16B 12/2036
 403/231
 D449,222 S * 10/2001 Young D8/382
 D506,384 S * 6/2005 Lawrence D8/381
 D558,673 S * 1/2008 Easley D13/133
 D618,989 S * 7/2010 Shpitalni D8/381
 D623,929 S * 9/2010 Jarvis D8/381
 D705,044 S * 5/2014 Hammac D8/380
 D867,106 S * 11/2019 Blattel D8/349
 10,753,381 B2 * 8/2020 Grabber F16B 12/2009
 D909,178 S * 2/2021 Hollingworth D8/349
 D938,266 S * 12/2021 Jones D8/382
 2003/0233965 A1 12/2003 Brazier
 2003/0234231 A1 12/2003 Rowe
 2009/0139943 A1 6/2009 Fernandez
 2015/0152904 A1 * 6/2015 Nilsson A47B 47/042
 403/11

2016/0157610 A1 * 6/2016 Chen H05K 7/1489
 248/219.3
 2017/0159691 A1 6/2017 Pelc, Jr.
 2018/0172048 A1 * 6/2018 Rovoletto A47B 96/066
 2018/0347608 A1 * 12/2018 Haser F16B 5/0642
 2019/0216216 A1 * 7/2019 Cooper A47B 96/061
 2020/0370584 A1 * 11/2020 Sjostedt A47C 7/42
 2021/0003159 A1 * 1/2021 Thomson F16B 12/125
 2021/0025422 A1 * 1/2021 Ender-Lercher F16B 13/02
 2021/0131469 A1 * 5/2021 Simpson F16B 12/20
 2021/0254648 A1 * 8/2021 Leistert F16B 19/02

FOREIGN PATENT DOCUMENTS

EM 0025369790001 9/2014
 GB 320487 A 10/1929
 GB 2393226 A 3/2004
 IL 47015 * 12/2010
 JP D1323924 * 3/2008
 JP D1598914 * 3/2018
 JP D1627427 * 3/2019
 KR 300495296.0000 * 7/2008
 KR 300495297.0000 * 7/2008
 KR 300530419.0000 * 6/2009
 WO 2004000072 A1 12/2003
 WO 2004000073 A1 12/2003

* cited by examiner

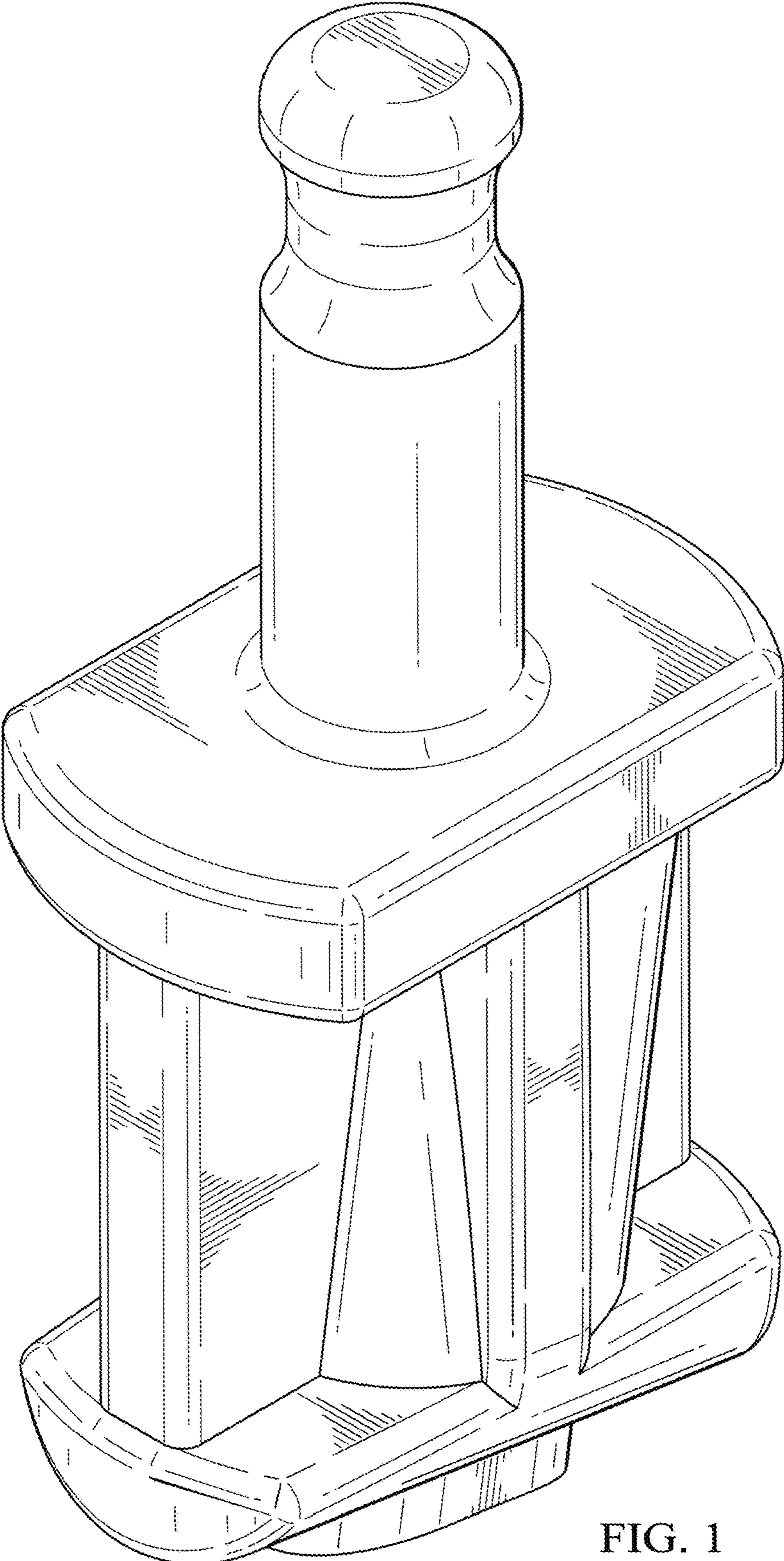


FIG. 1

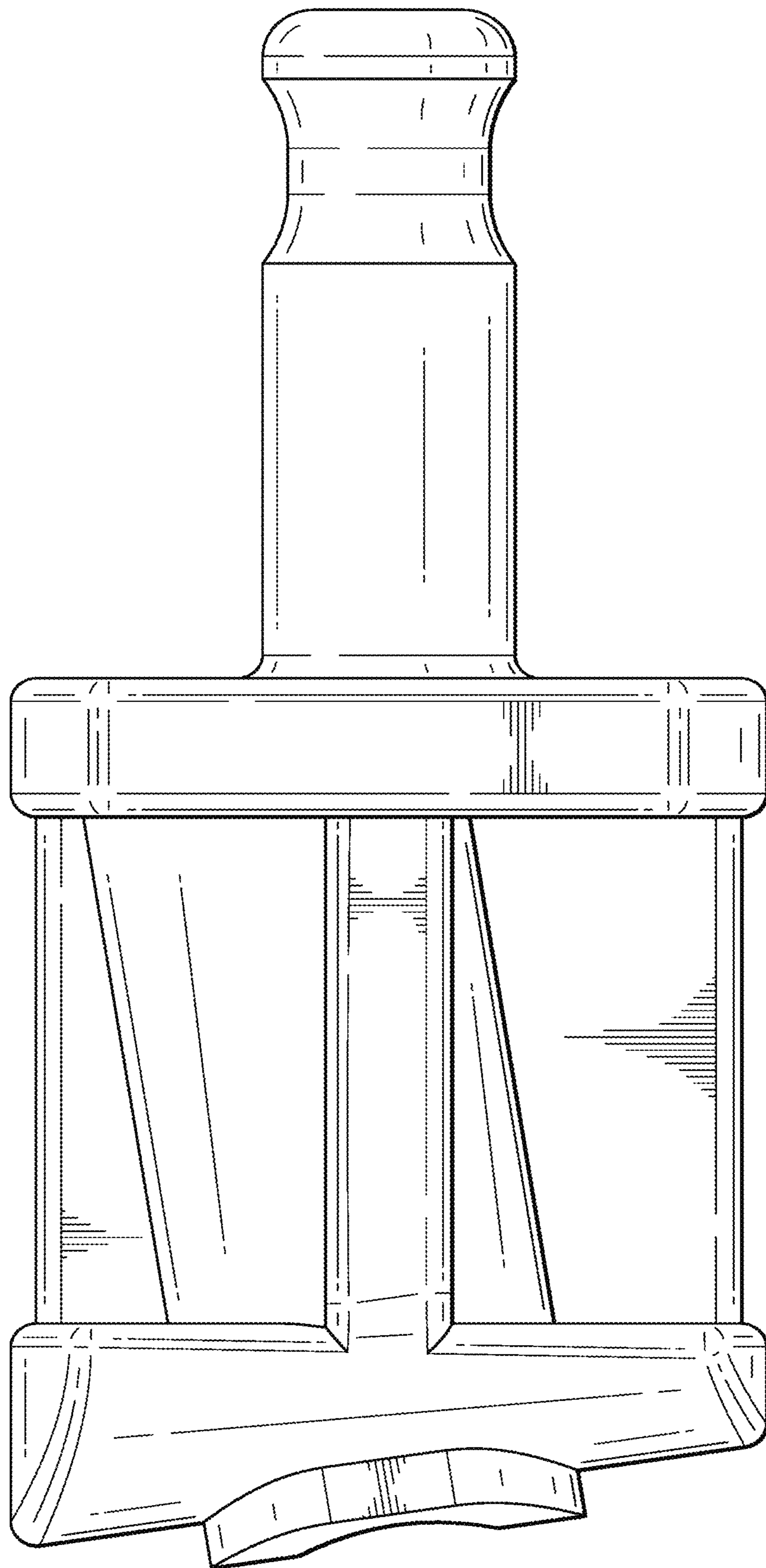
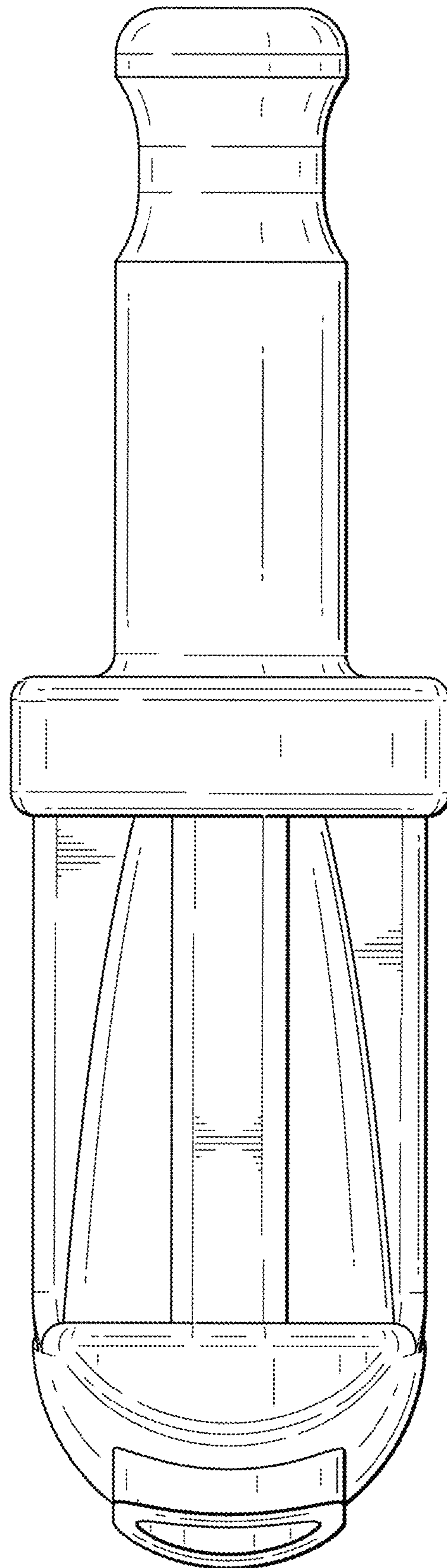
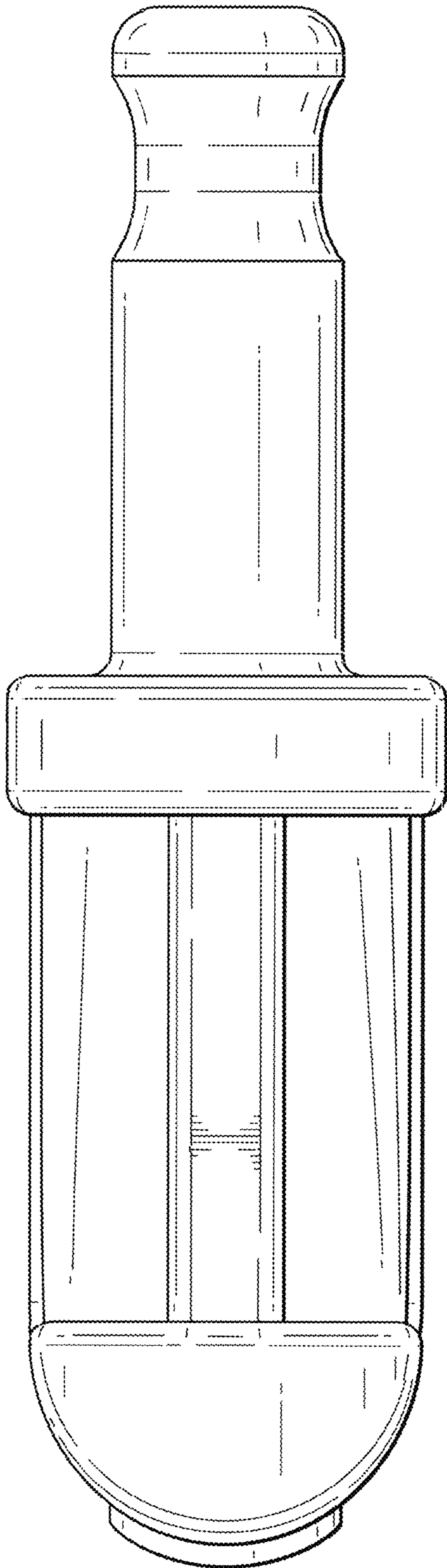


FIG. 2



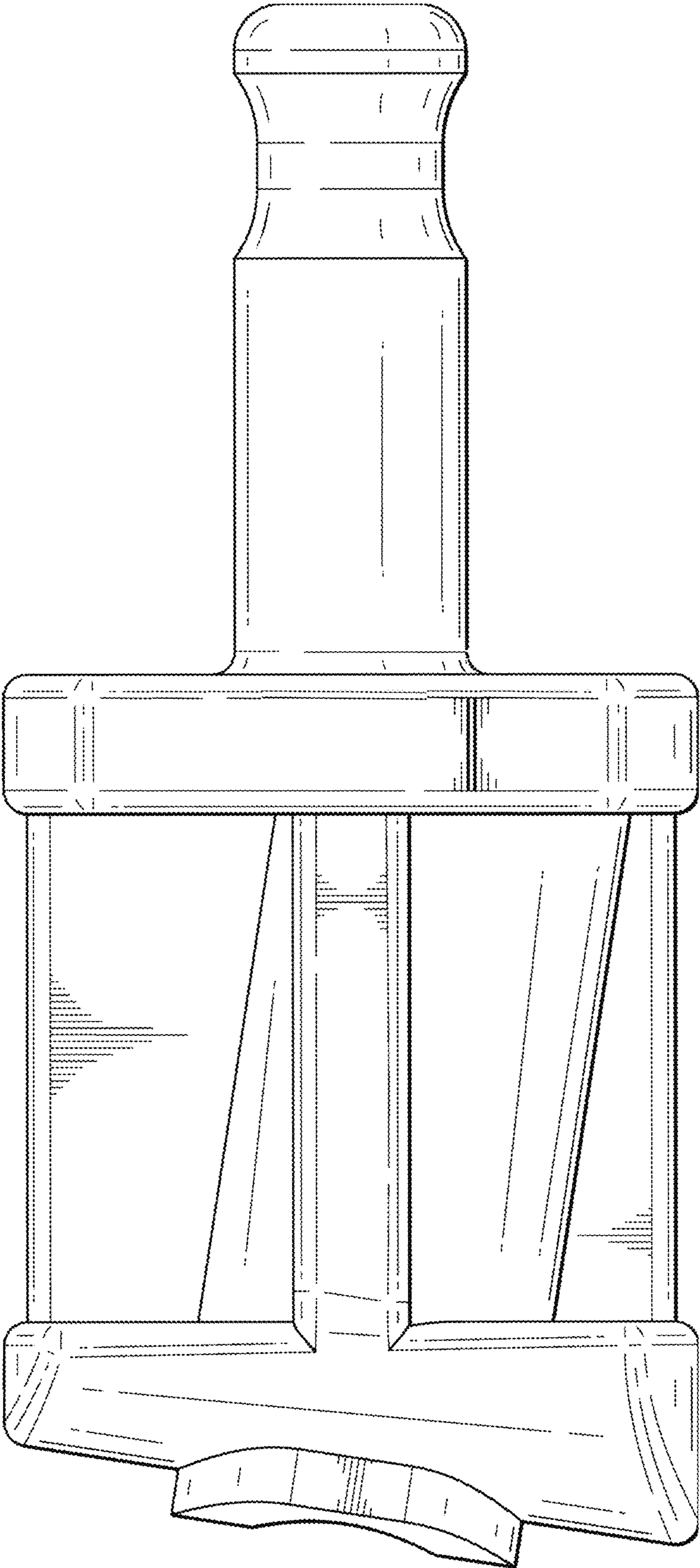


FIG. 5

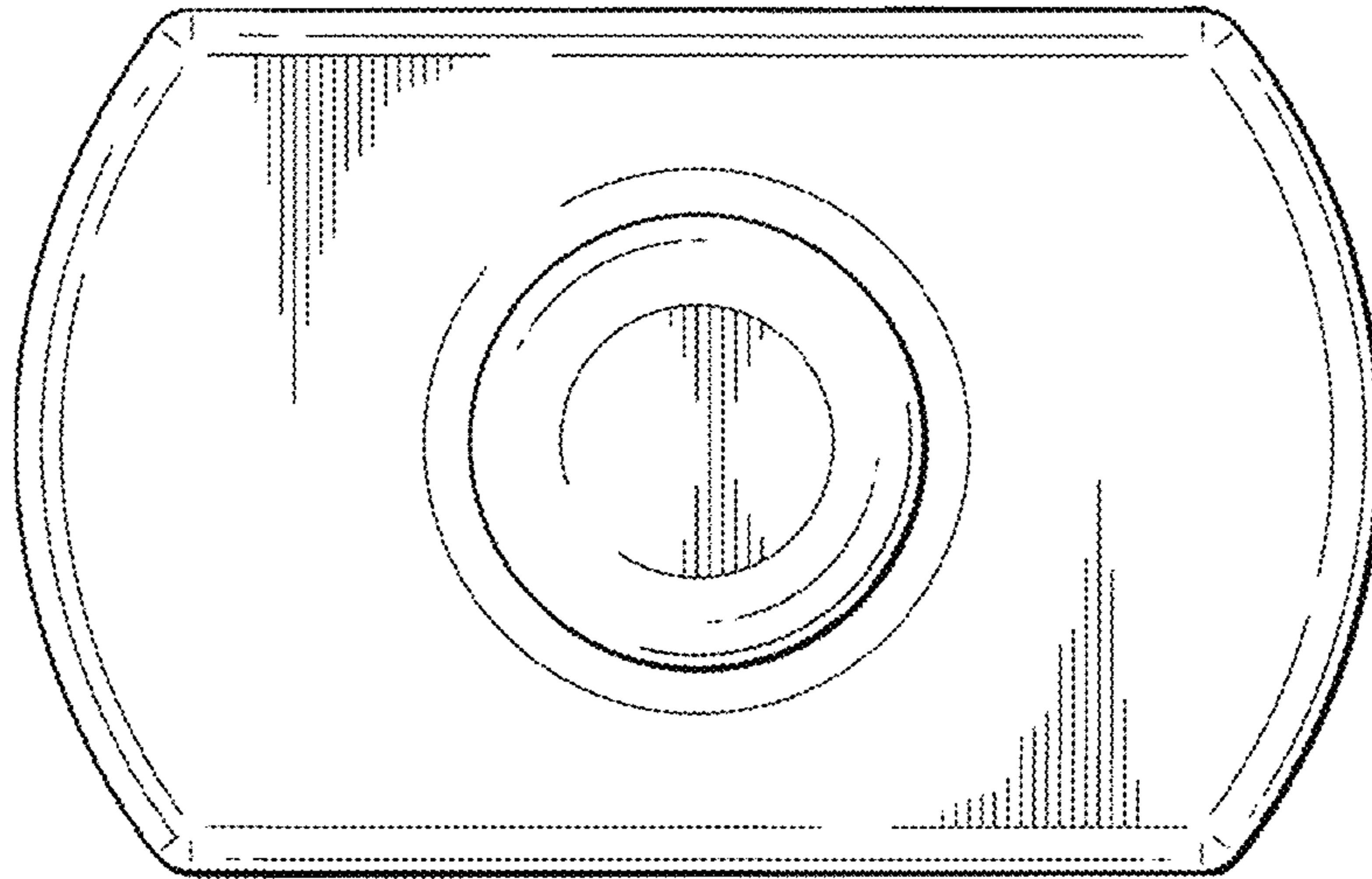


FIG. 6

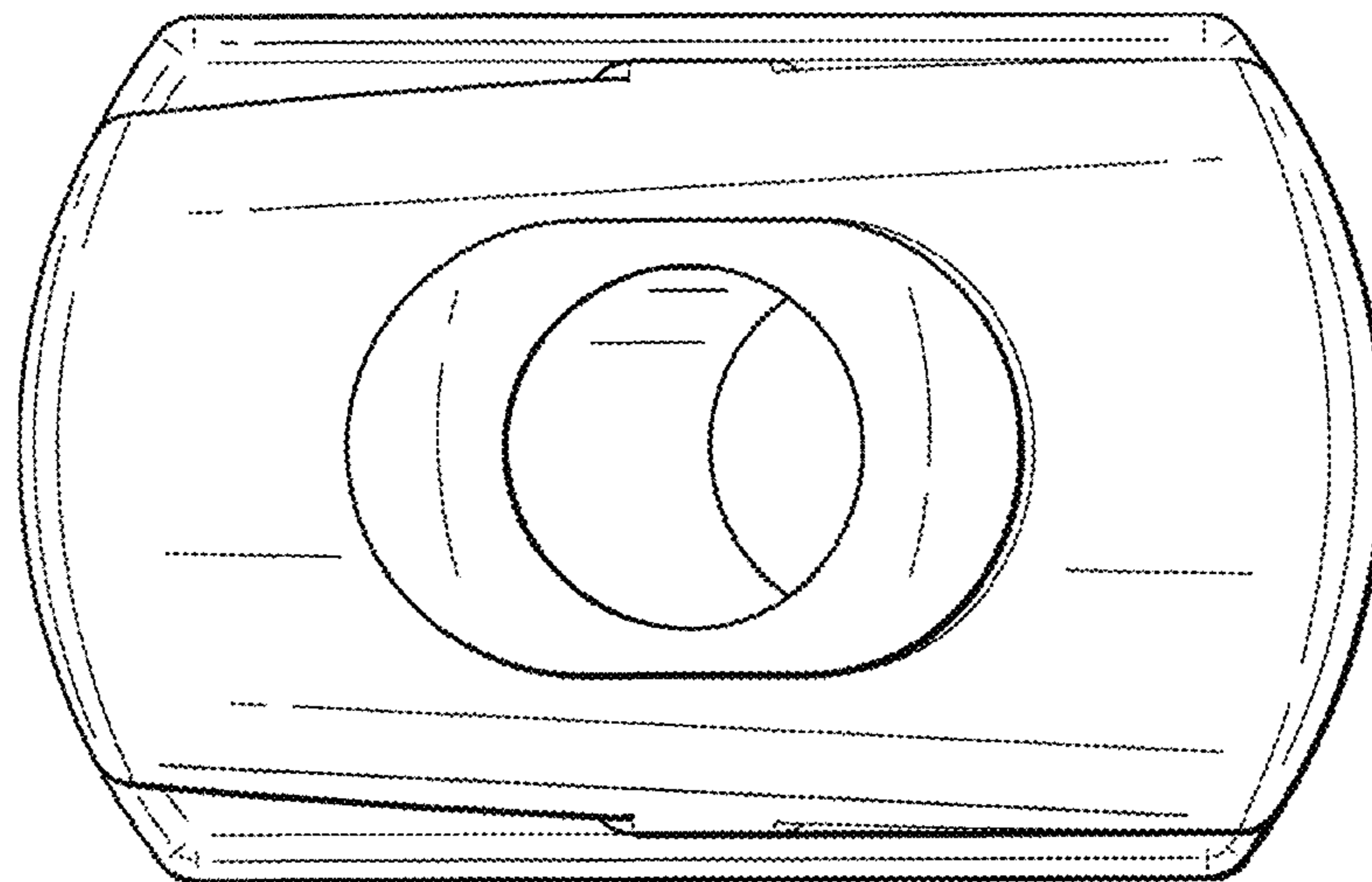


FIG. 7