



US00D973475S

(12) **United States Design Patent**  
**Lin**

(10) **Patent No.:** **US D973,475 S**

(45) **Date of Patent:** **\*\* Dec. 27, 2022**

(54) **DRAWER RAIL**

(71) Applicant: **CHENG SUNG INDUSTRIAL CO., LTD.**, Taichung (TW)

(72) Inventor: **Tsung-Yu Lin**, Taichung (TW)

(73) Assignee: **CHENG SUNG INDUSTRIAL CO., LTD.**, Taichung (TW)

(\*\*) Term: **15 Years**

(21) Appl. No.: **29/782,552**

(22) Filed: **May 7, 2021**

(51) **LOC (13) Cl.** ..... **08-05**

(52) **U.S. Cl.**  
USPC ..... **D8/374**

(58) **Field of Classification Search**  
USPC ..... D8/349, 354, 363, 374, 376-377, 380, D8/400; D6/510, 705.7, 501, 546, 574, D6/495, 513, 300, 310, 320, 329, 512, D6/514, 515, 545, 567, 641, 642, 661, D6/662.1, 663-691, 694, 702, 705, 705.2, D6/705.4, 705.5, 705.6, 706, 708.16, 712, D6/719, 672, 673, 674, 675, 675.1-675.5, D6/678.1-678.4, 691.1  
CPC ..... A47B 51/00; A47B 57/08; A47B 57/00; A47B 57/10; A47B 57/16; A47B 57/30; A47B 45/00; A47B 47/00; A47B 47/021; A47B 47/025; A47B 47/027; A47B 87/00; A47B 87/008; A47B 87/02; A47B 87/0207; A47B 43/00; A47B 43/03; A47B 43/04; A47B 88/00; A47B 88/40; A47B 88/423; A47B 88/427

See application file for complete search history.

(56) **References Cited**

**U.S. PATENT DOCUMENTS**

D240,585 S \* 7/1976 Kaplan et al. .... D8/374  
D256,305 S \* 8/1980 Johnson ..... D6/671.1

D263,914 S \* 4/1982 Litchfield ..... D8/374  
D264,292 S \* 5/1982 Litchfield ..... D8/374  
D277,818 S \* 3/1985 Spitz ..... D8/374  
D278,011 S \* 3/1985 Spitz ..... D8/374  
D428,285 S \* 7/2000 Hughes ..... D8/374  
D506,381 S \* 6/2005 Lu ..... D8/349  
D517,769 S \* 3/2006 Post ..... D34/21

(Continued)

*Primary Examiner* — Mark A Goodwin

(74) *Attorney, Agent, or Firm* — Karin L. Williams; Alan D. Kamrath; Mayer & Williams PC

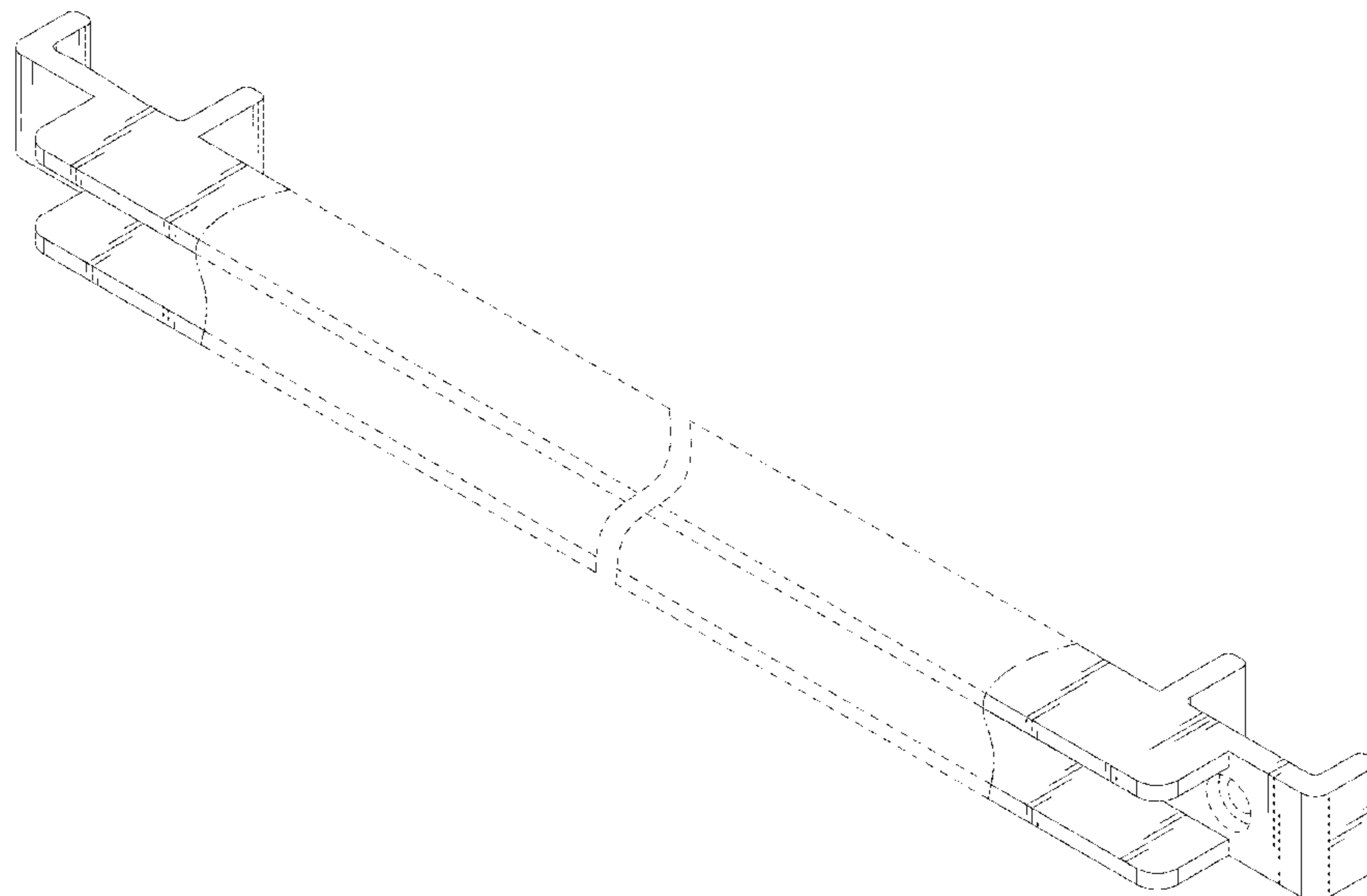
(57) **CLAIM**

The ornamental design for a drawer rail, as shown and described.

**DESCRIPTION**

FIG. 1 is a perspective view of a drawer rail showing my new design;  
FIG. 2 is a front view thereof;  
FIG. 3 is a rear view thereof;  
FIG. 4 is a left view thereof;  
FIG. 5 is a right view thereof;  
FIG. 6 is a top view thereof;  
FIG. 7 is a bottom view thereof; and,  
FIG. 8 is another perspective view thereof showing a using condition with a drawer frame.  
The long dash, short dash lines represent the boundary of the claimed design. The gap or break shown in the middle portion of the claim in FIGS. 1, 2, 3, 6, and 7 is indicative of indeterminate length and the space between the sections forms no part of the claimed design. The broken line showing of the middle portion of the rail in FIGS. 1-8 is included for the purpose of illustrating unclaimed portions of the drawer rail and forms no part of the claimed design. The broken line showing of a drawer frame in FIG. 8 is included for environmental purposes only and forms no part of the claimed design.

**1 Claim, 8 Drawing Sheets**



(56)

**References Cited**

U.S. PATENT DOCUMENTS

7,597,413 B2 \* 10/2009 Fitz ..... A47B 88/493  
312/334.6  
D622,829 S \* 8/2010 Barnard ..... D23/304  
D637,026 S \* 5/2011 Lin ..... D6/374  
D651,433 S \* 1/2012 Le ..... D6/702  
D653,531 S \* 2/2012 Velez, Jr. .... D8/400  
D658,054 S \* 4/2012 Velez, Jr. .... D8/400  
D716,090 S \* 10/2014 Schepens ..... D6/705.7  
D767,311 S \* 9/2016 Hrovat ..... D6/705  
D837,579 S \* 1/2019 Petersen ..... D6/702  
D891,228 S \* 7/2020 Zeiser ..... D8/349  
D921,478 S \* 6/2021 Scott ..... D8/377  
D922,183 S \* 6/2021 Scott ..... D8/377  
2011/0140831 A1 \* 6/2011 Michael ..... G07F 11/18  
340/3.31

\* cited by examiner

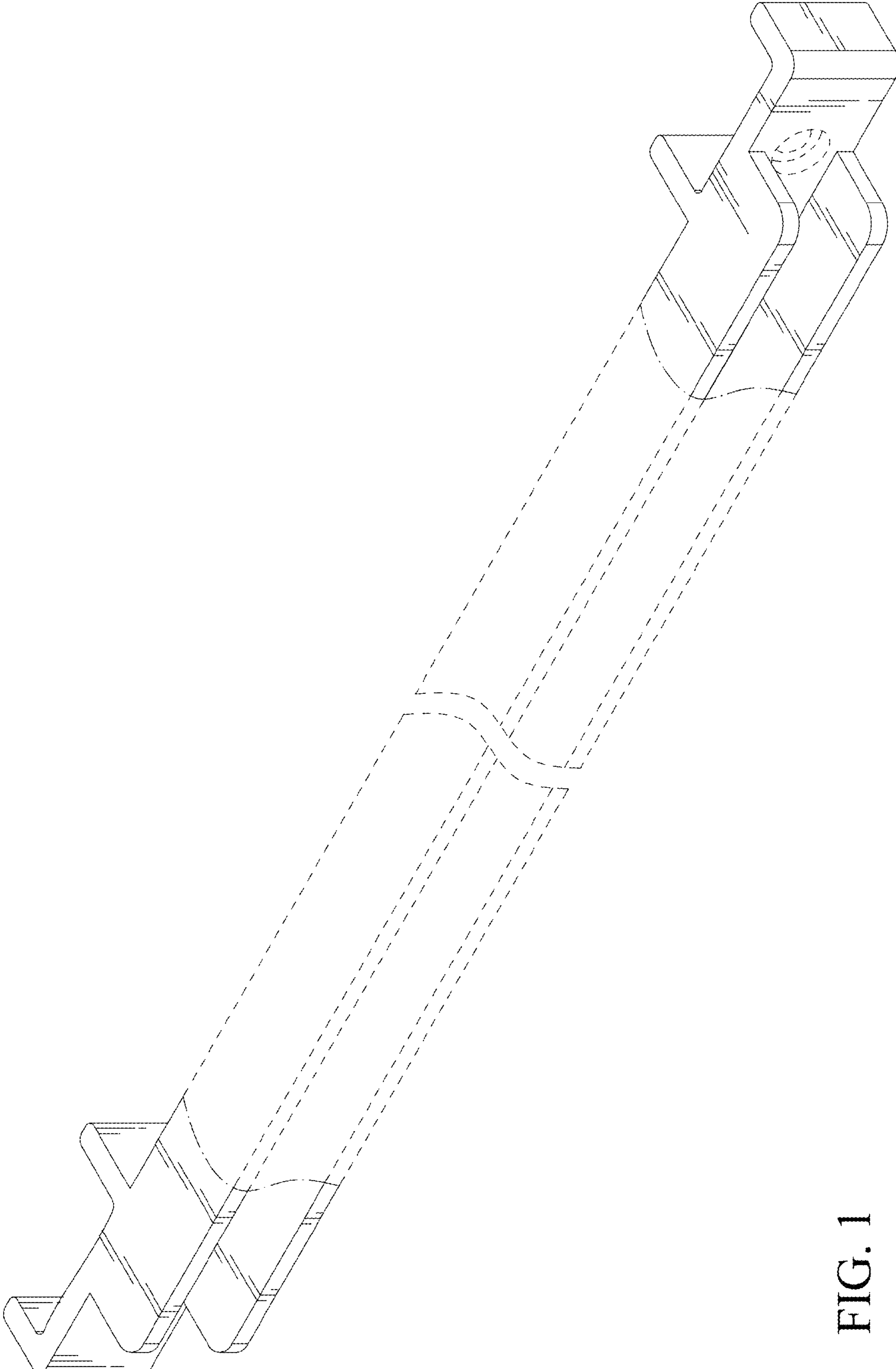


FIG. 1

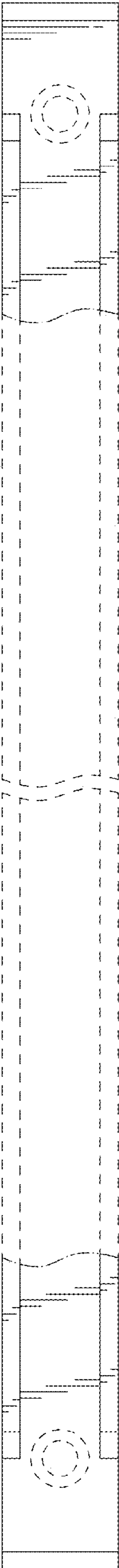


FIG. 2

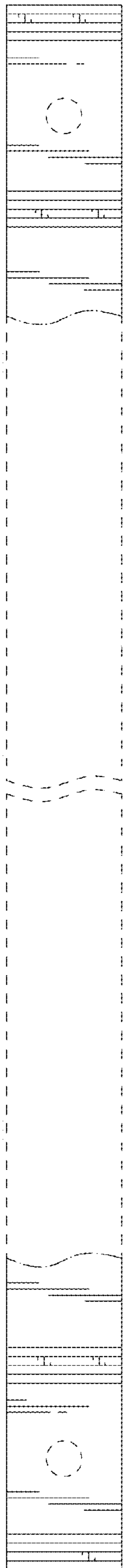


FIG. 3

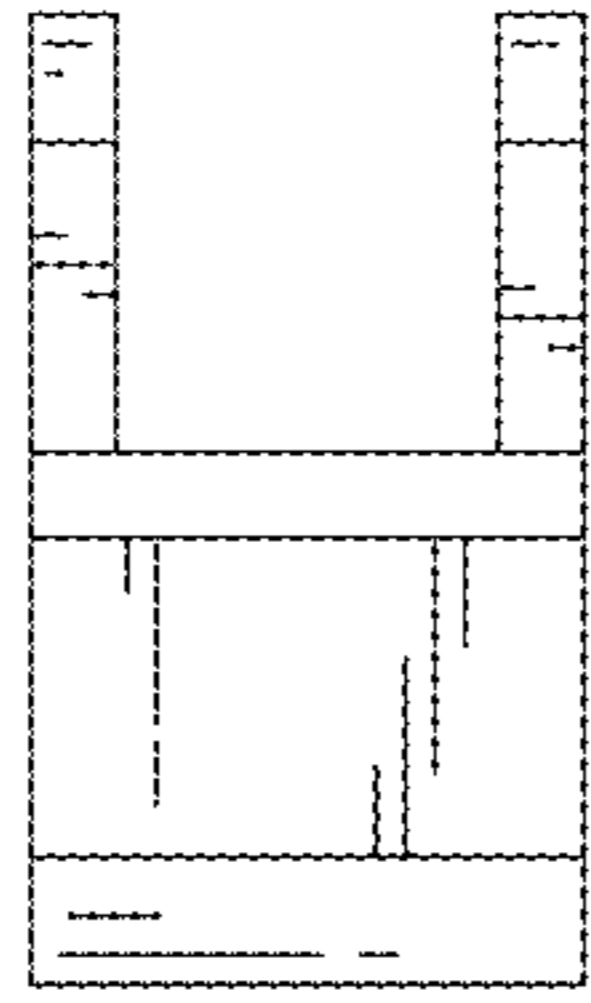


FIG. 4

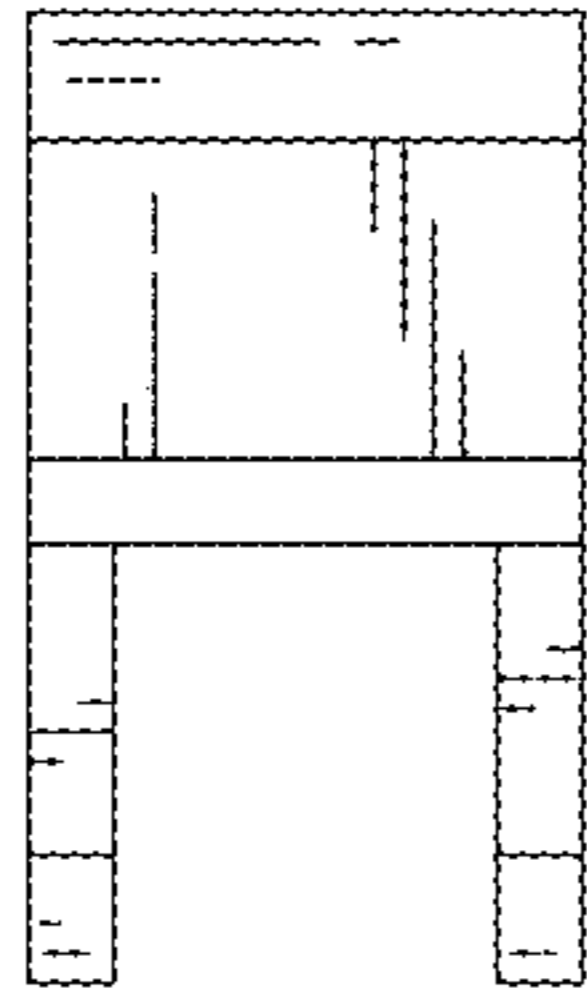


FIG. 5

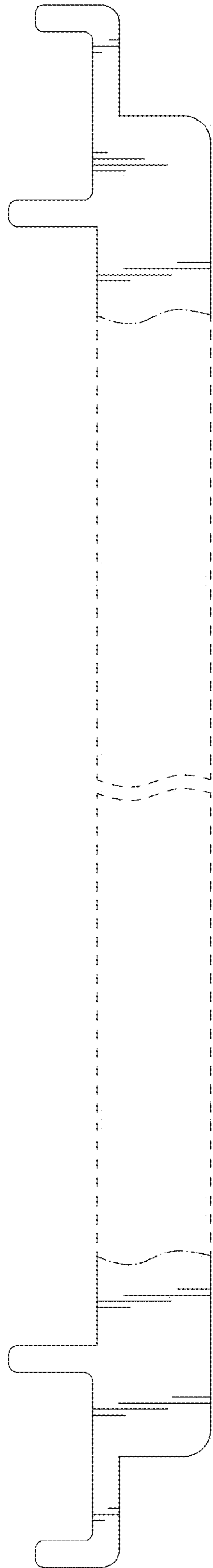


FIG. 6



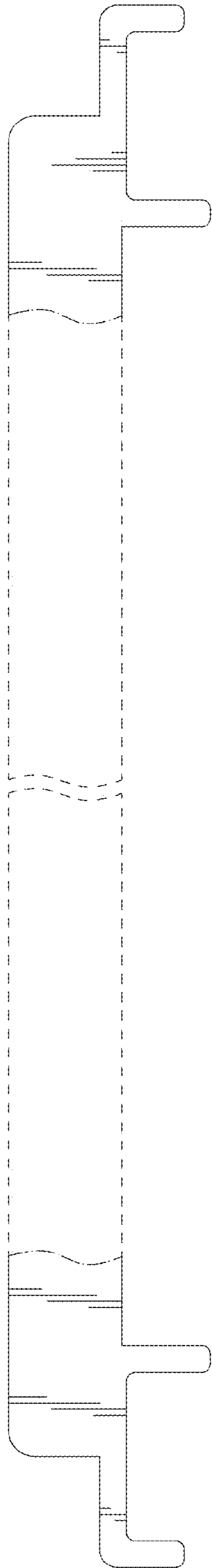


FIG. 7

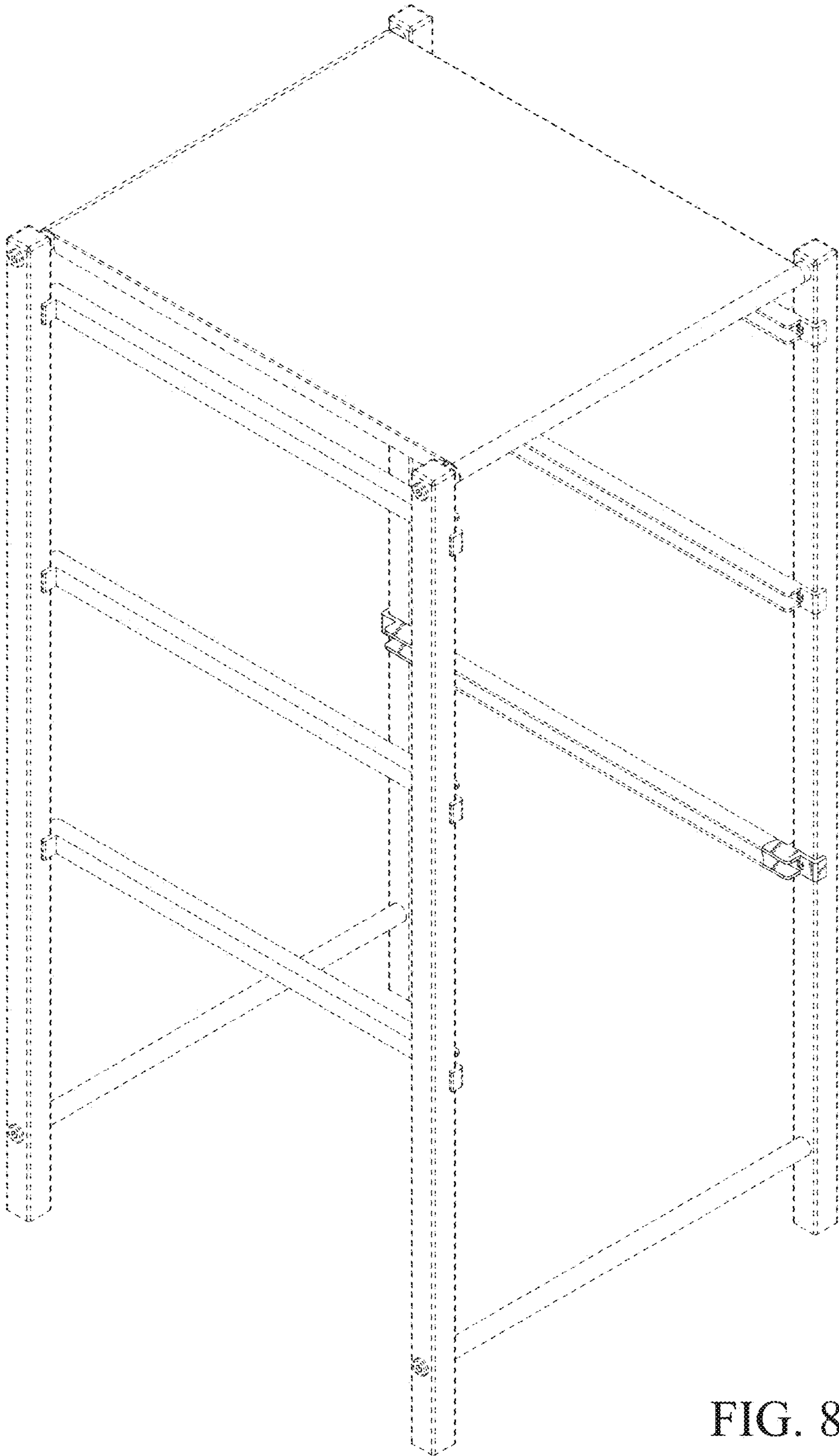


FIG. 8