



US00D973474S

(12) **United States Design Patent** (10) **Patent No.:** **US D973,474 S**
Lin (45) **Date of Patent:** **** Dec. 27, 2022**

(54) **DRAWER RAIL**
(71) Applicant: **CHENG SUNG INDUSTRIAL CO., LTD.**, Taichung (TW)
(72) Inventor: **Tsung-Yu Lin**, Taichung (TW)
(73) Assignee: **CHENG SUNG INDUSTRIAL CO., LTD.**, Taichung (TW)
(**) Term: **15 Years**
(21) Appl. No.: **29/775,965**
(22) Filed: **Mar. 26, 2021**
(51) **LOC (13) Cl.** **08-05**
(52) **U.S. Cl.**
USPC **D8/374**
(58) **Field of Classification Search**
USPC D8/349, 354, 363, 374, 376-377, 380, D8/400; D6/510, 705.7, 501, 546, 574, D6/495, 513, 300, 310, 320, 329, 512, D6/514, 515, 545, 567, 641, 642, 661, D6/662.1, 663-691, 694, 702, 705, 705.2, D6/705.4, 705.5, 705.6, 706, 708.16, 712, D6/719, 675.1-675.5, 678.1-678.4, 691.1
CPC A47B 51/00; A47B 57/08; A47B 57/00; A47B 57/10; A47B 57/16; A47B 57/30; A47B 45/00; A47B 47/00; A47B 47/021; A47B 47/025; A47B 47/027; A47B 87/00; A47B 87/008; A47B 87/02; A47B 87/0207; A47B 43/00; A47B 43/03; A47B 43/04; A47B 88/00; A47B 88/40; A47B 88/423; A47B 88/427
See application file for complete search history.

D264,292 S * 5/1982 Litchfield D8/374
D277,818 S * 3/1985 Spitz D8/374
D278,011 S * 3/1985 Spitz D8/374
D428,285 S * 7/2000 Hughes D8/374
D506,381 S * 6/2005 Lu D8/349
D517,769 S * 3/2006 Post D34/21
7,597,413 B2 * 10/2009 Fitz A47B 88/493
312/334.6

(Continued)

Primary Examiner — Mark A Goodwin
(74) *Attorney, Agent, or Firm* — Karin L. Williams; Alan D. Kamrath; Mayer & Williams PC

(57) **CLAIM**

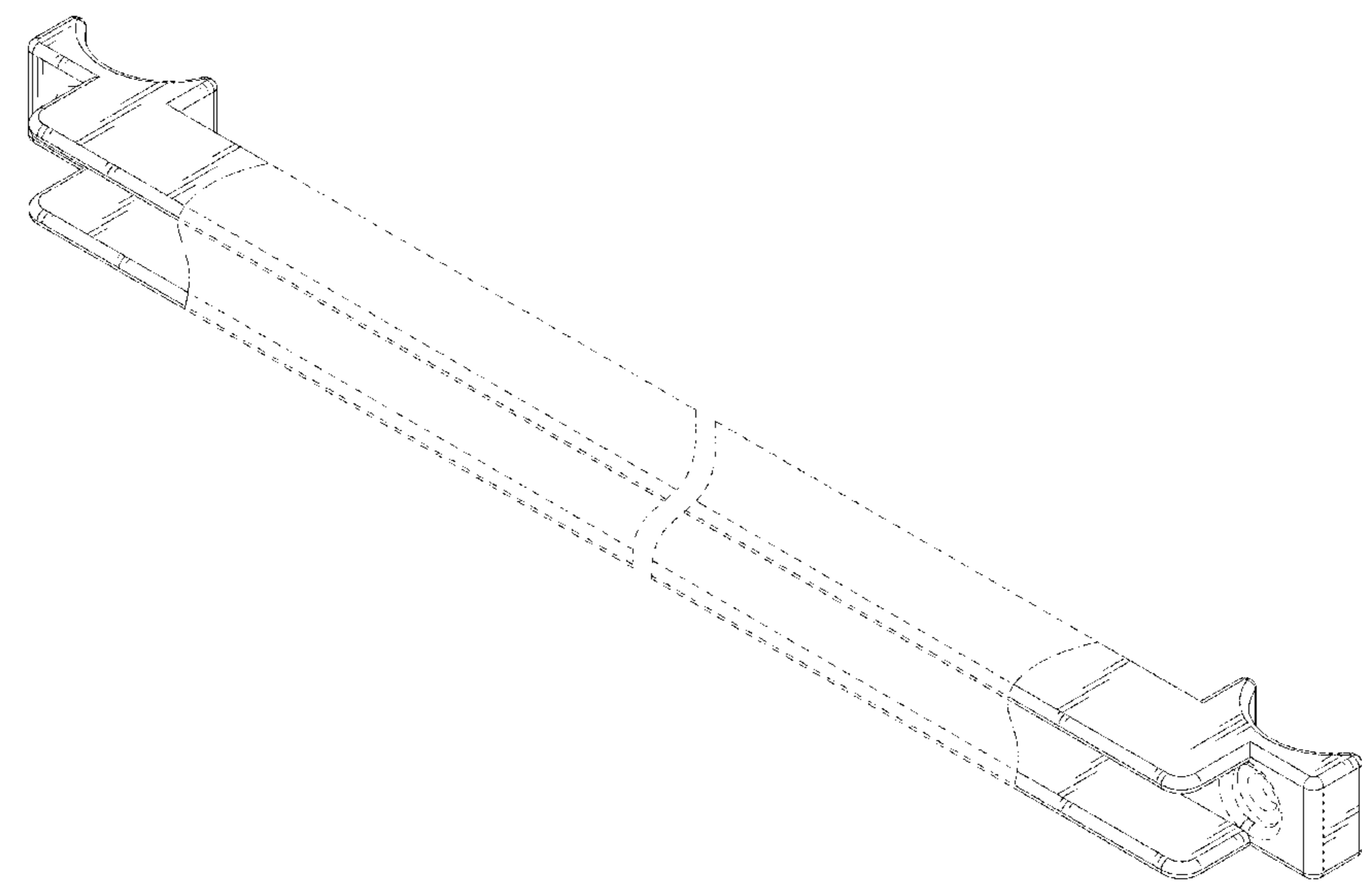
The ornamental design for a drawer rail, as shown and described.

DESCRIPTION

FIG. 1 is a perspective view of a drawer rail showing my new design;
FIG. 2 is a front view thereof;
FIG. 3 is a rear view thereof;
FIG. 4 is a left view thereof;
FIG. 5 is a right view thereof;
FIG. 6 is a top view thereof;
FIG. 7 is a bottom view thereof; and,
FIG. 8 is another perspective view thereof showing a using condition with a drawer frame.
The long dash, short dash lines represent the boundary of the claimed design. The gap or break shown in the middle portion of the claim in FIGS. 1, 2, 3, 6, and 7 is indicative of indeterminate length and the space between the sections forms no part of the claimed design. The broken line showing of the middle portion of the rail in FIGS. 1-8 is included for the purpose of illustrating unclaimed portions of the drawer rail and forms no part of the claimed design. The broken line showing of a drawer frame in FIG. 8 is included for environmental purposes only and forms no part of the claimed design.

1 Claim, 8 Drawing Sheets

(56) **References Cited**
U.S. PATENT DOCUMENTS
D240,585 S * 7/1976 Kaplan et al. D8/374
D256,305 S * 8/1980 Johnson D6/671.1
D263,914 S * 4/1982 Litchfield D8/374



(56)

References Cited

U.S. PATENT DOCUMENTS

D622,829	S	*	8/2010	Barnard	D23/304
D637,026	S	*	5/2011	Lin	D6/374
D651,433	S	*	1/2012	Le	D6/702
D653,531	S	*	2/2012	Velez, Jr.	D8/400
D658,054	S	*	4/2012	Velez, Jr.	D8/400
D716,090	S	*	10/2014	Schepens	D6/705.7
D767,311	S	*	9/2016	Hrovat	D6/705
D837,579	S	*	1/2019	Petersen	D6/702
D891,228	S	*	7/2020	Zeiser	D8/349
D921,478	S	*	6/2021	Scott	D8/377
D922,183	S	*	6/2021	Scott	D8/377
2011/0140831	A1	*	6/2011	Michael	G07F 11/18 340/3.31

* cited by examiner

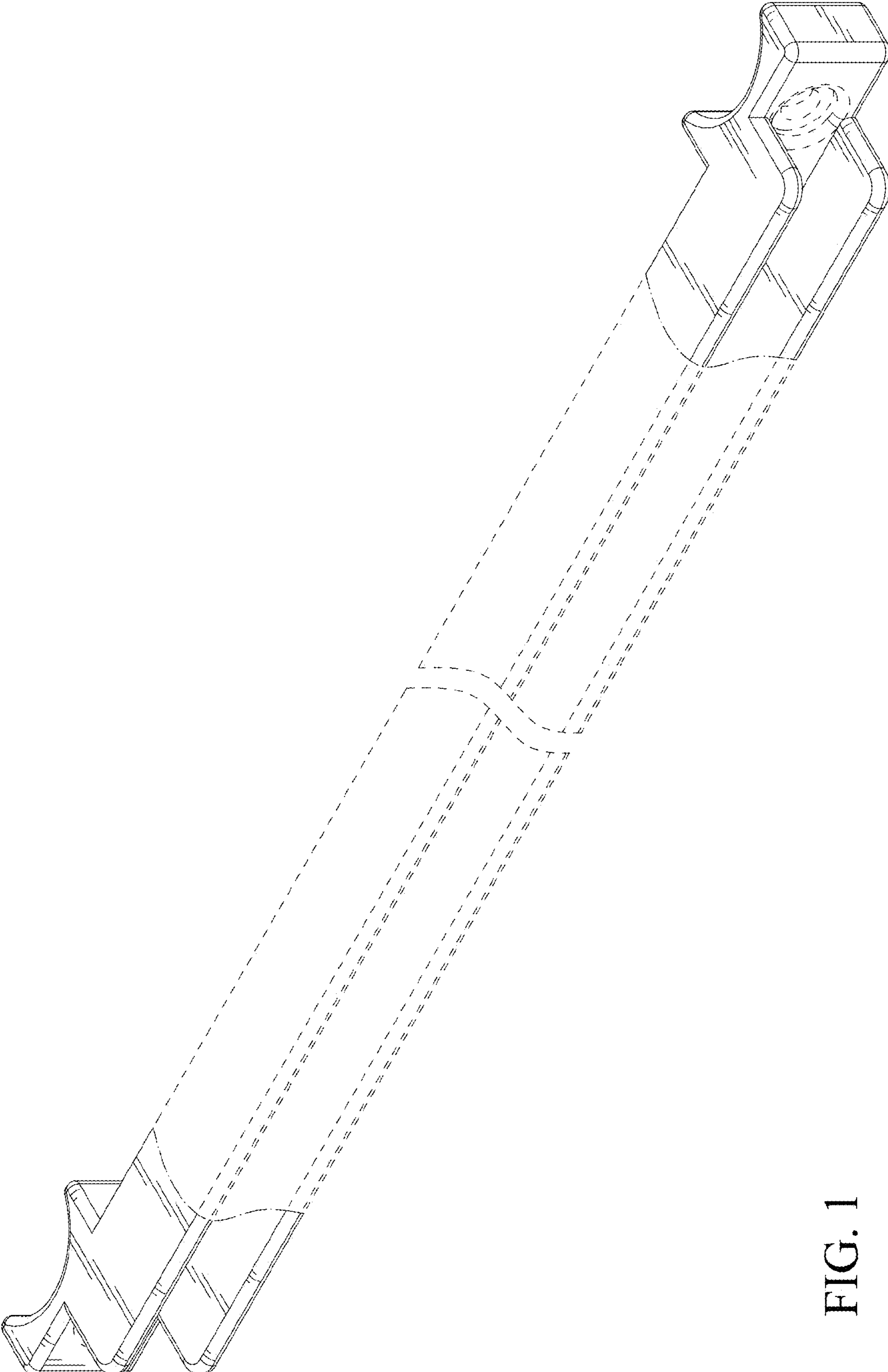


FIG. 1

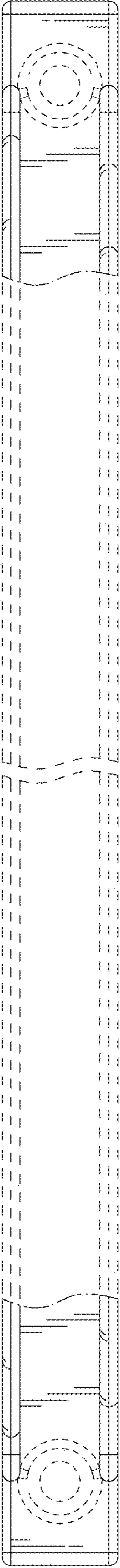


FIG. 2

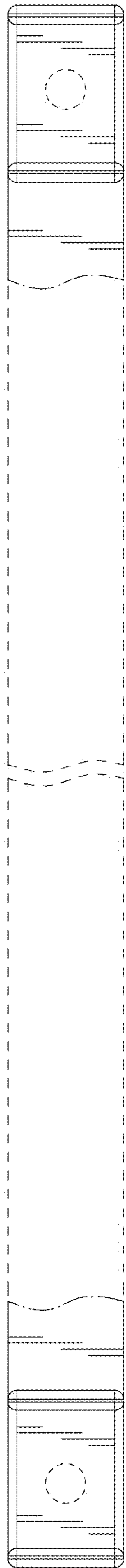


FIG. 3

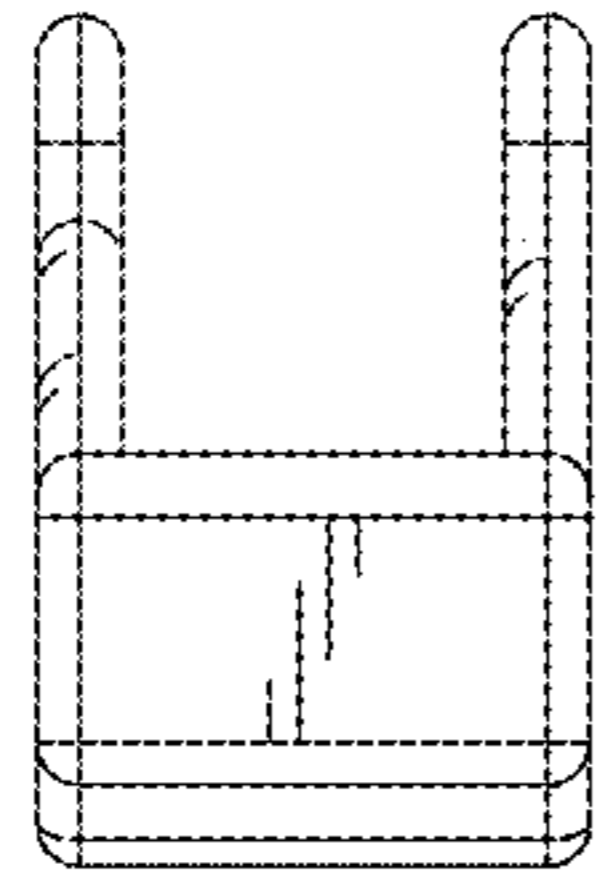


FIG. 4

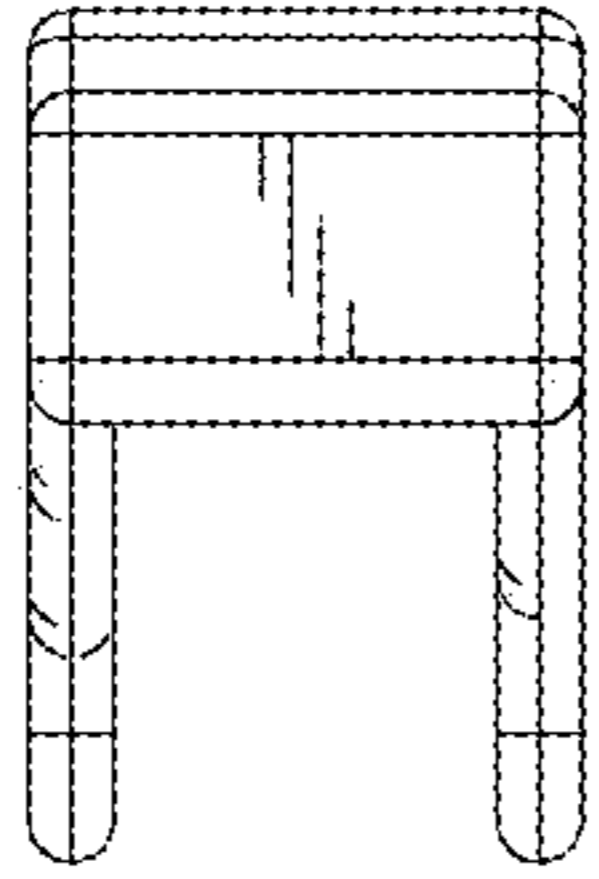


FIG. 5

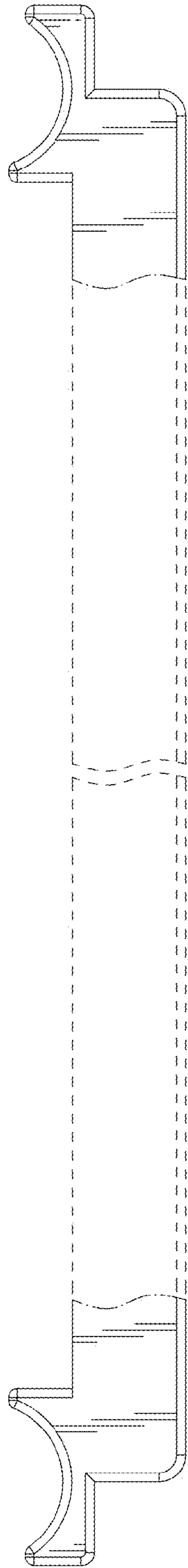


FIG. 6

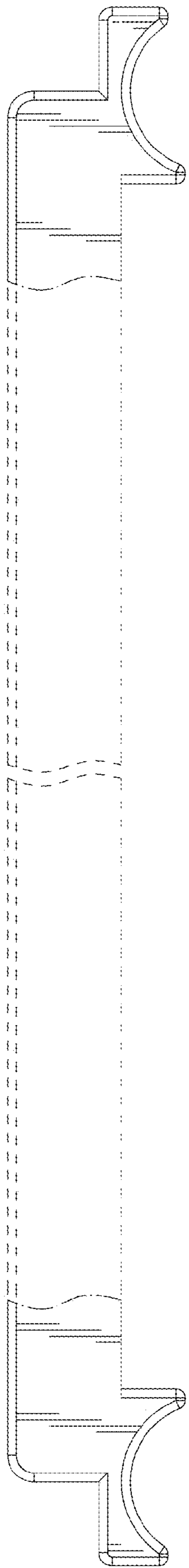


FIG. 7

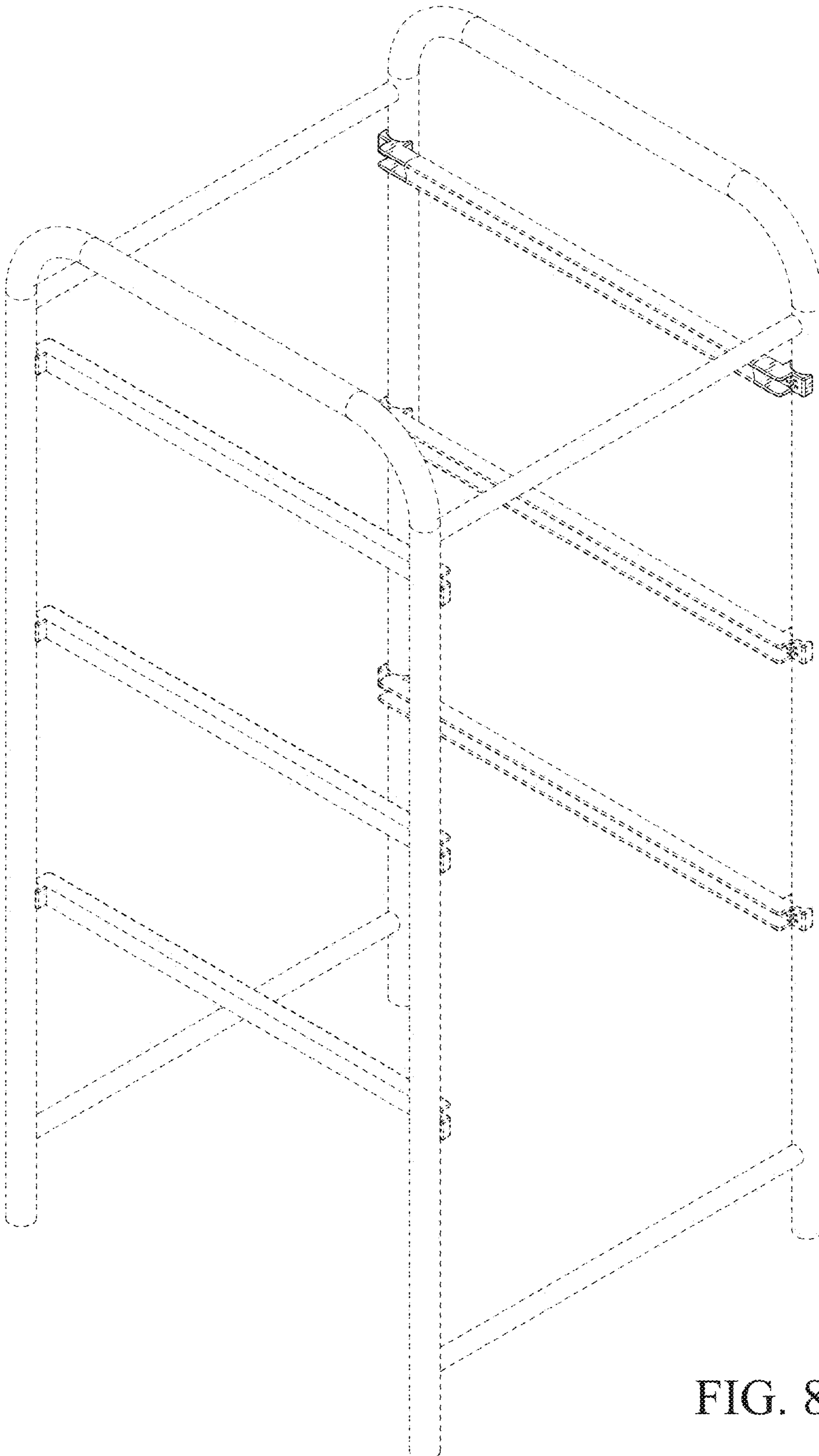


FIG. 8