



US00D973472S

(12) **United States Design Patent**  
**Zhong**

(10) **Patent No.:** **US D973,472 S**

(45) **Date of Patent:** **\*\* Dec. 27, 2022**

(54) **MOBILE PHONE FILM APPLICATOR**

(71) Applicant: **Shenzhen walkas Technology Co., Ltd, Shenzhen (CN)**

(72) Inventor: **Qihua Zhong, Guangdong (CN)**

(73) Assignee: **SHENZHEN WALKAS TECHNOLOGY CO., LTD, Shenzhen (CN)**

(\*\*) Term: **15 Years**

(21) Appl. No.: **29/752,692**

(22) Filed: **Sep. 29, 2020**

(30) **Foreign Application Priority Data**

Sep. 15, 2020 (CN) ..... 202030547686.2

(51) **LOC (13) Cl.** ..... **08-05**

(52) **U.S. Cl.**  
USPC ..... **D8/354**

(58) **Field of Classification Search**  
USPC ..... D8/354; D14/217, 238.1, 240, 248, 250, D14/251-253, 439, 440, 447; D3/201, D3/218, 247, 269, 273, 301, 303  
CPC . H05K 13/00; H05K 13/0015; H04M 1/0202; A45C 1/06  
See application file for complete search history.

(56) **References Cited**

**U.S. PATENT DOCUMENTS**

- 8,675,353 B1 \* 3/2014 Alonzo ..... G06F 1/1628 361/679.01
- D738,172 S \* 9/2015 Chen ..... D8/14
- D757,016 S \* 5/2016 Liang ..... D14/440
- D812,062 S \* 3/2018 MacDonald ..... D14/432
- D821,384 S \* 6/2018 Jordin ..... D14/250
- 10,076,872 B2 \* 9/2018 Witham ..... B29C 65/48
- 10,076,894 B2 \* 9/2018 Lin ..... B32B 38/1841

- 10,507,962 B2 \* 12/2019 Lin ..... H04B 1/3827
- 10,751,931 B1 \* 8/2020 Hsu ..... B65D 85/68
- 10,841,409 B2 \* 11/2020 Bulkley ..... G06F 1/1637
- D904,840 S \* 12/2020 Liu ..... D8/14
- D908,472 S \* 1/2021 Zhang ..... D8/354
- D908,682 S \* 1/2021 Coverstone ..... D14/250
- 10,987,855 B1 \* 4/2021 Zhang ..... B32B 3/30
- D920,080 S \* 5/2021 Hofstrand ..... D8/354
- D929,195 S \* 8/2021 Kiyokawa ..... D7/672
- 11,090,857 B1 \* 8/2021 Zhong ..... B29C 63/0004
- D931,938 S \* 9/2021 Ebling ..... D20/17
- D934,850 S \* 11/2021 Weng ..... D14/250
- 11,186,032 B2 \* 11/2021 Lin ..... B29C 63/0056
- D937,834 S \* 12/2021 Hyun ..... D14/432
- D939,929 S \* 1/2022 Ryu ..... D8/349
- D940,127 S \* 1/2022 Akana ..... D14/341
- D940,536 S \* 1/2022 Ryu ..... D8/349

(Continued)

*Primary Examiner* — Keli L Hill

*Assistant Examiner* — Harold E Blackwell, II

(74) *Attorney, Agent, or Firm* — Andrew C. Cheng

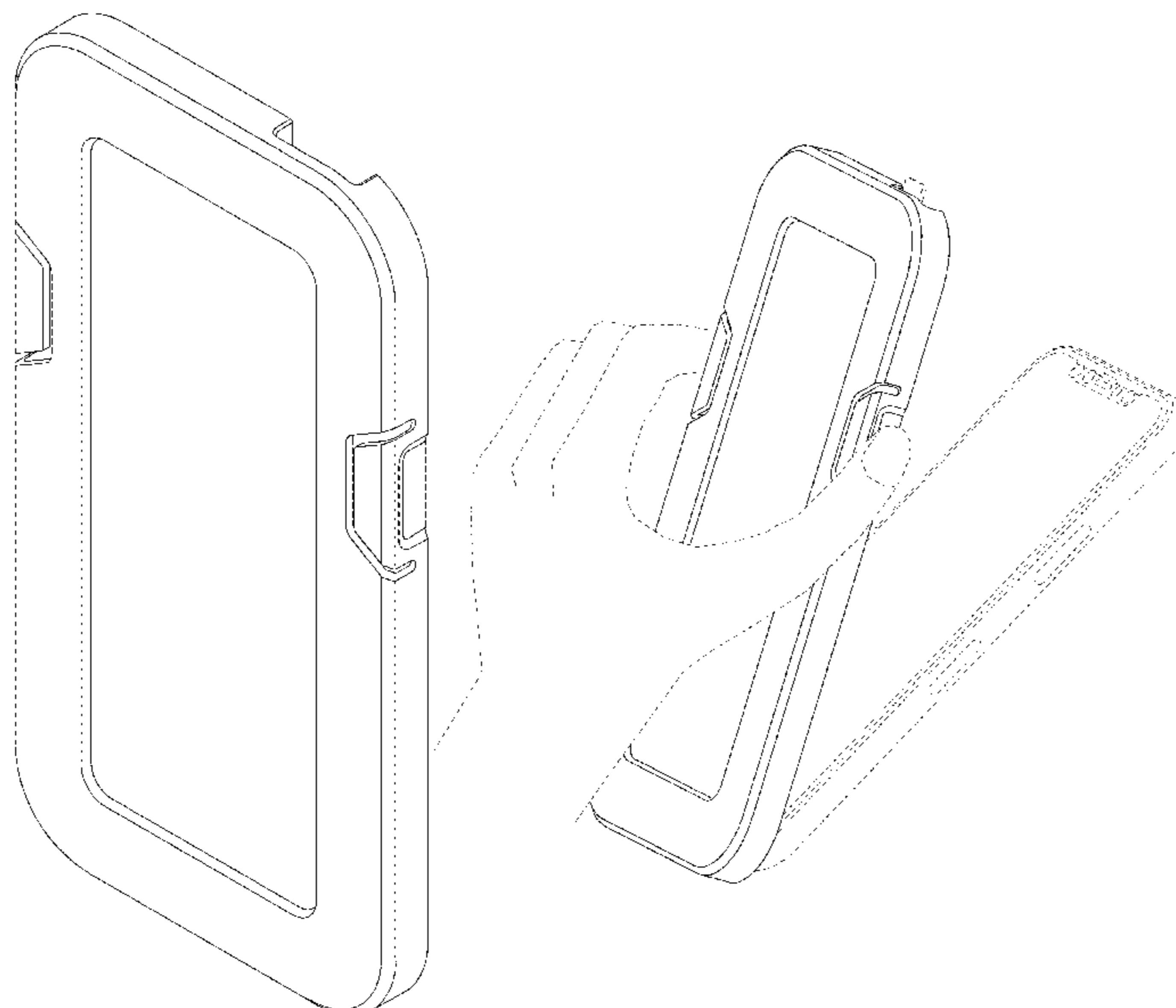
(57) **CLAIM**

I claim the ornamental design for a mobile phone film applicator, as shown and described.

**DESCRIPTION**

FIG. 1 is a perspective view of a mobile phone film applicator showing my new design;  
 FIG. 2 is a front view thereof;  
 FIG. 3 is a rear view thereof;  
 FIG. 4 is a left side view thereof;  
 FIG. 5 is a right side view thereof;  
 FIG. 6 is a top view thereof;  
 FIG. 7 is a bottom view thereof; and,  
 FIG. 8 is a perspective view thereof, showing the mobile phone film applicator in a state of use.  
 The broken line showing of the mobile phone film applicator illustrates portions which forms no part of the claimed design.

**1 Claim, 8 Drawing Sheets**



(56)

**References Cited**

U.S. PATENT DOCUMENTS

D945,251 S \* 3/2022 Zhang ..... D8/354  
D947,853 S \* 4/2022 Akana ..... D14/439  
D953,135 S \* 5/2022 Yu ..... D8/14  
2014/0047708 A1\* 2/2014 Chae ..... H04B 1/3888  
29/700  
2014/0130971 A1\* 5/2014 Wu ..... H04B 1/3888  
156/249  
2015/0246514 A1\* 9/2015 LaColla ..... B29C 63/02  
156/60  
2015/0291854 A1\* 10/2015 Colby ..... G06F 1/1656  
428/41.7  
2017/0190160 A1\* 7/2017 Peng ..... B32B 38/1841  
2020/0094467 A1\* 3/2020 Cho ..... B29C 63/0004

\* cited by examiner

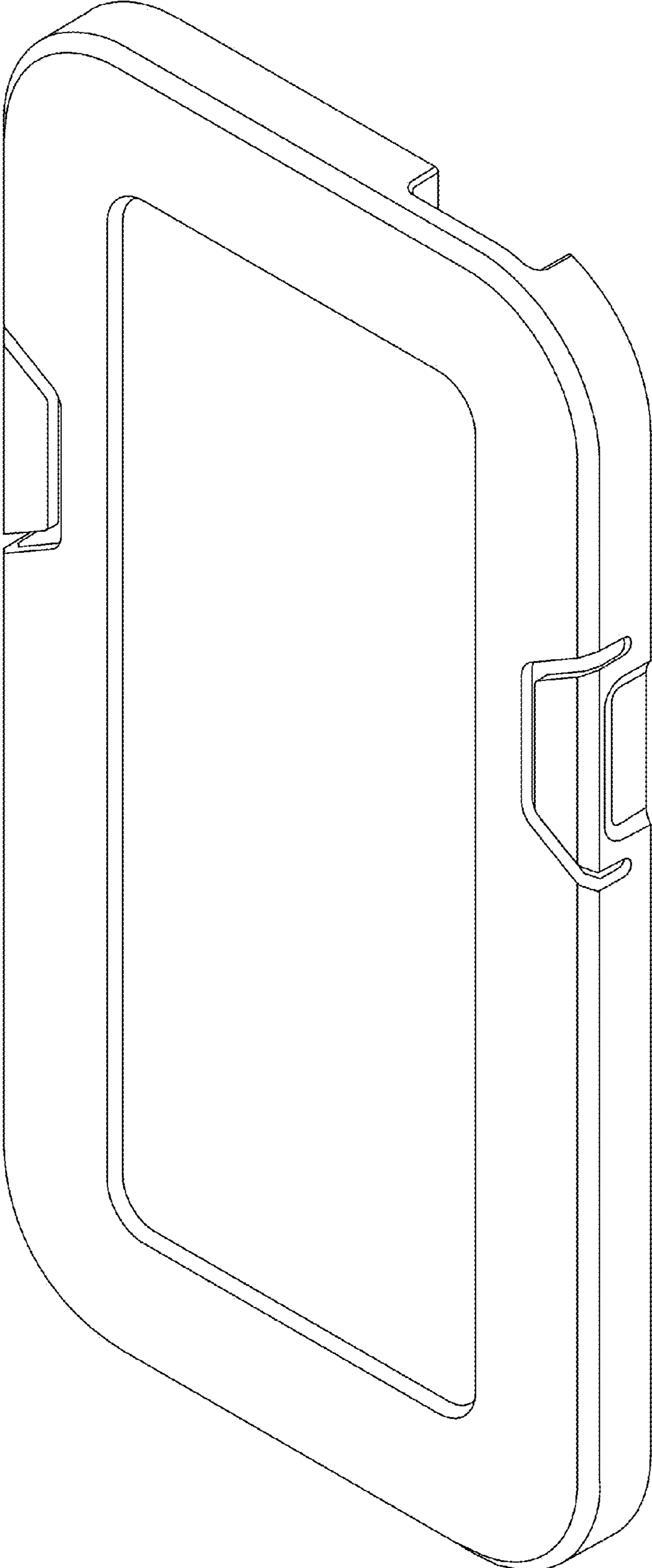


FIG.1

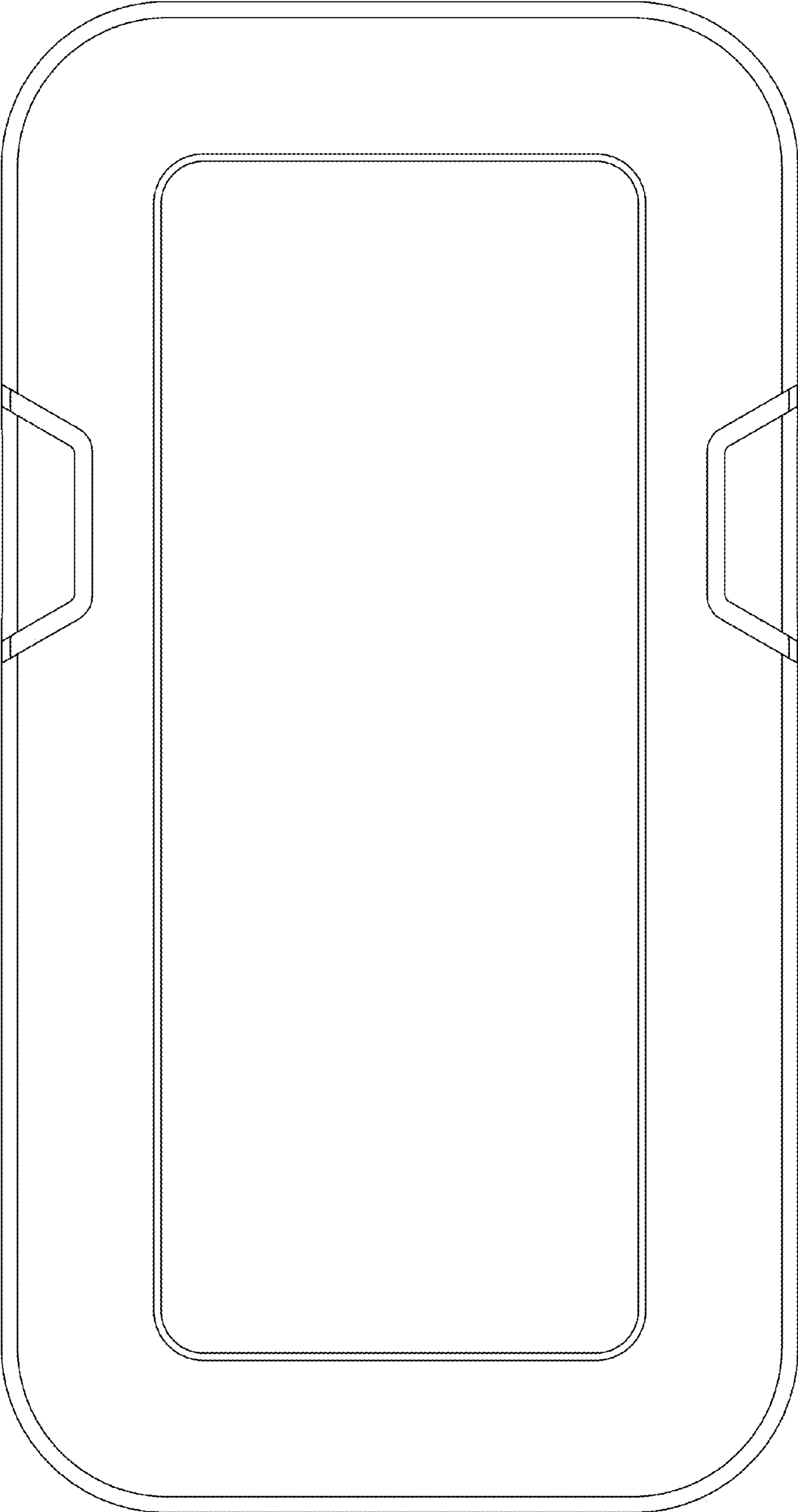


FIG.2

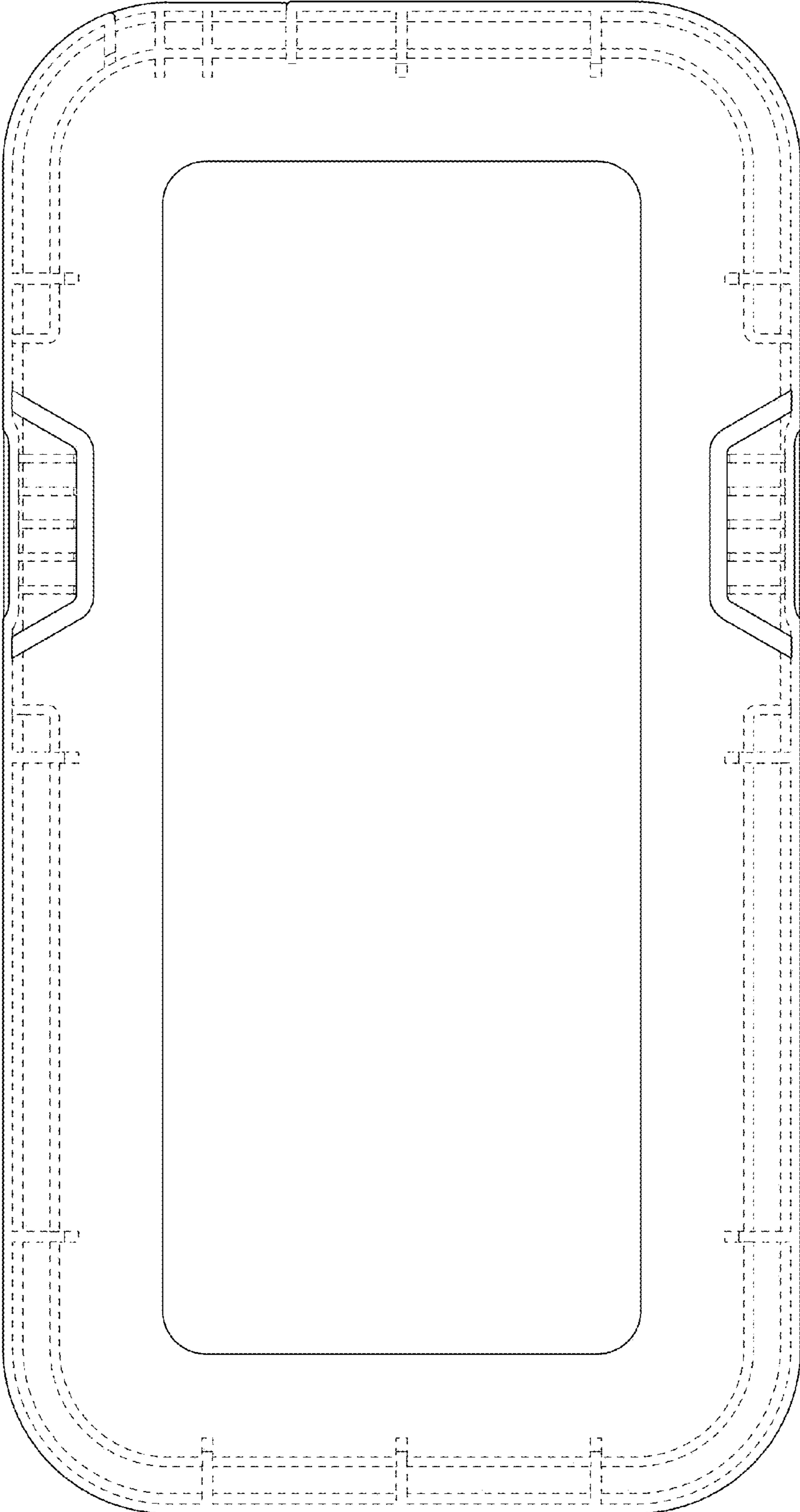


FIG.3

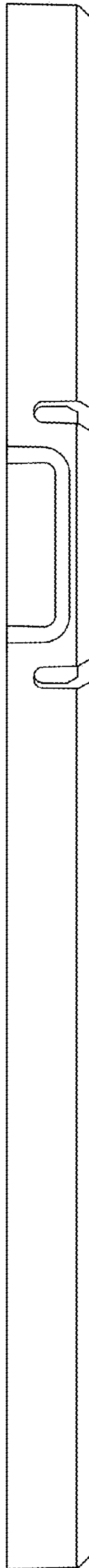


FIG.4

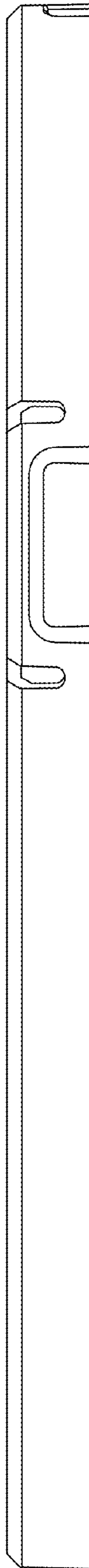


FIG.5

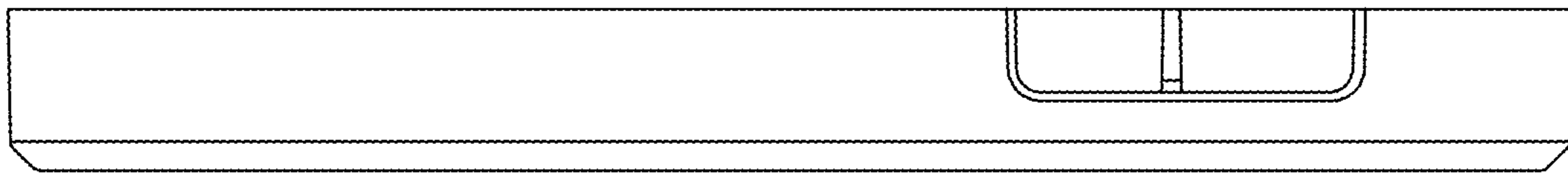


FIG.6



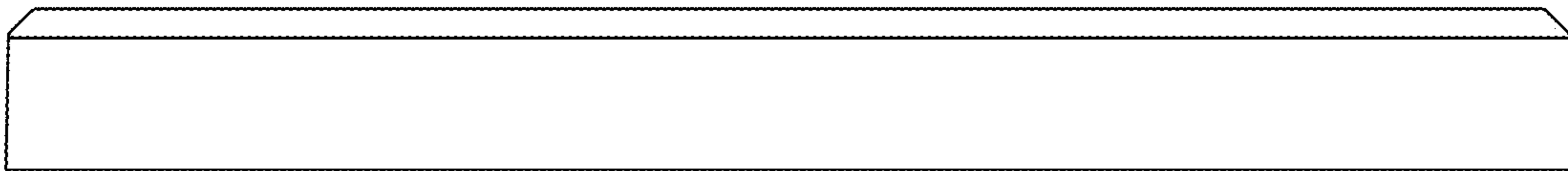


FIG.7

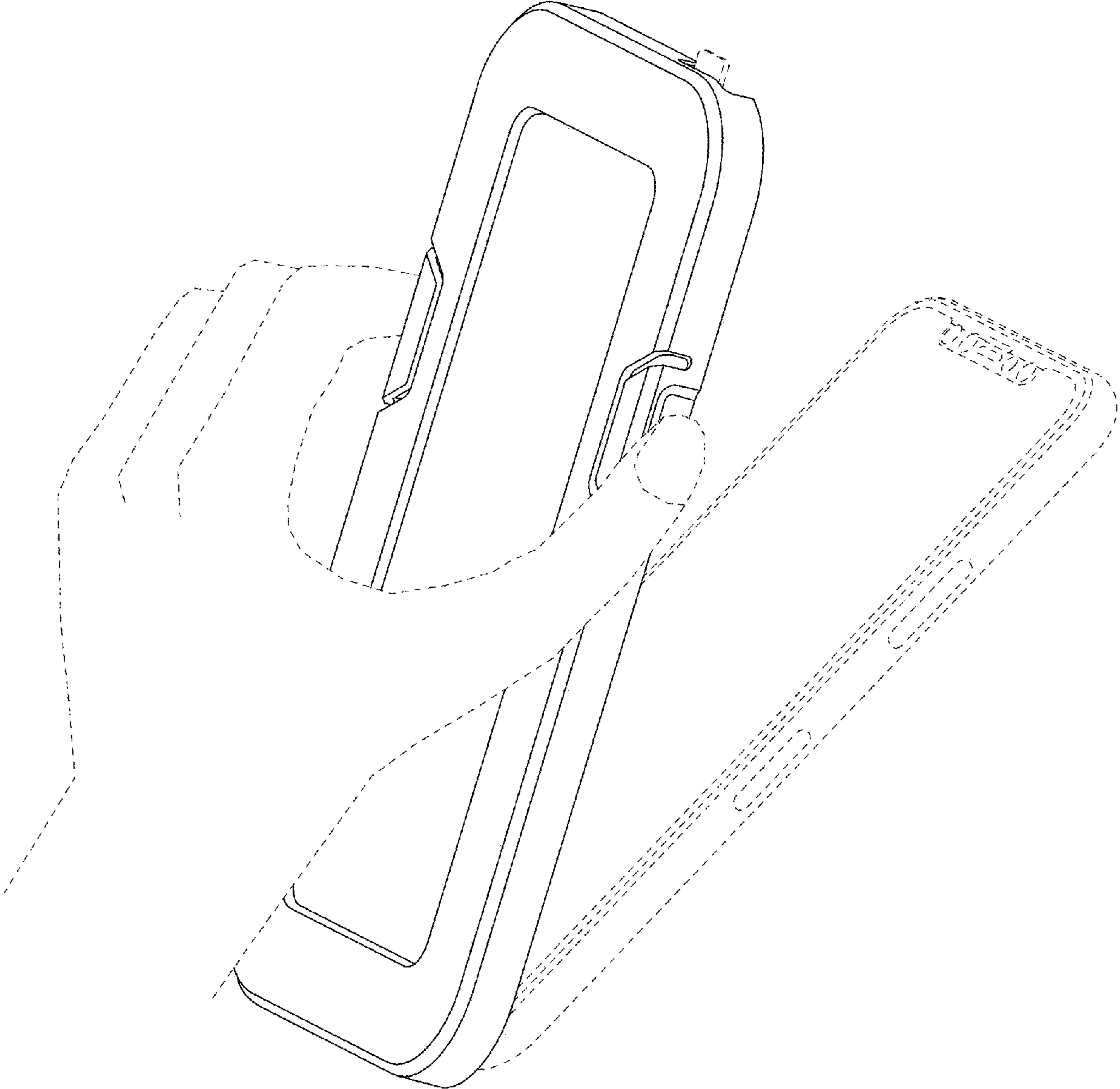


FIG.8