



US00D973463S

(12) **United States Design Patent** (10) **Patent No.:** **US D973,463 S**
Helsley et al. (45) **Date of Patent:** **** Dec. 27, 2022**

(54) **AIRCRAFT LATCH LOCK KEY HEAD**
(71) Applicant: **HARTWELL CORPORATION**,
Placentia, CA (US)
(72) Inventors: **Thomas J. Helsley**, Placentia, CA
(US); **Lane Dennis Dalan**, Hermosa
Beach, CA (US)

5,730,013 A 3/1998 Huang
6,644,078 B1 11/2003 Hung
7,162,900 B1 * 1/2007 Lu E05B 27/083
70/404
D548,047 S * 8/2007 Kearns D8/347
D570,196 S * 6/2008 McKinnon D8/347
D579,318 S 10/2008 Davis
(Continued)

(73) Assignee: **HARTWELL CORPORATION**,
Placentia, CA (US)
(**) Term: **15 Years**

FOREIGN PATENT DOCUMENTS

CN 1360127 7/2002
GB 6196930 3/2022
RU 00088635 5/2014

(21) Appl. No.: **29/848,441**
(22) Filed: **Aug. 2, 2022**

OTHER PUBLICATIONS

Search Report conducted by Global Patent Solutions (dated Aug. 22, 2022).

Related U.S. Application Data

(60) Continuation of application No. 17/326,120, filed on May 20, 2021, which is a continuation of application No. 16/393,646, filed on Apr. 24, 2019, now Pat. No. 11,193,305, which is a division of application No. 15/510,139, filed as application No. PCT/US2015/049216 on Sep. 9, 2015, now Pat. No. 10,392,830.

Primary Examiner — Doris Clark
(74) *Attorney, Agent, or Firm* — Barnes & Thornburg LLP

(51) **LOC (13) Cl.** **08-07**
(52) **U.S. Cl.** **D8/347**
USPC
(58) **Field of Classification Search**
USPC D8/347
CPC E05B 19/04; E05B 27/083; Y10T 70/7441;
Y10T 70/7486
See application file for complete search history.

(57) **CLAIM**

We claim, the ornamental design for an aircraft latch lock key head, as shown and described.

DESCRIPTION

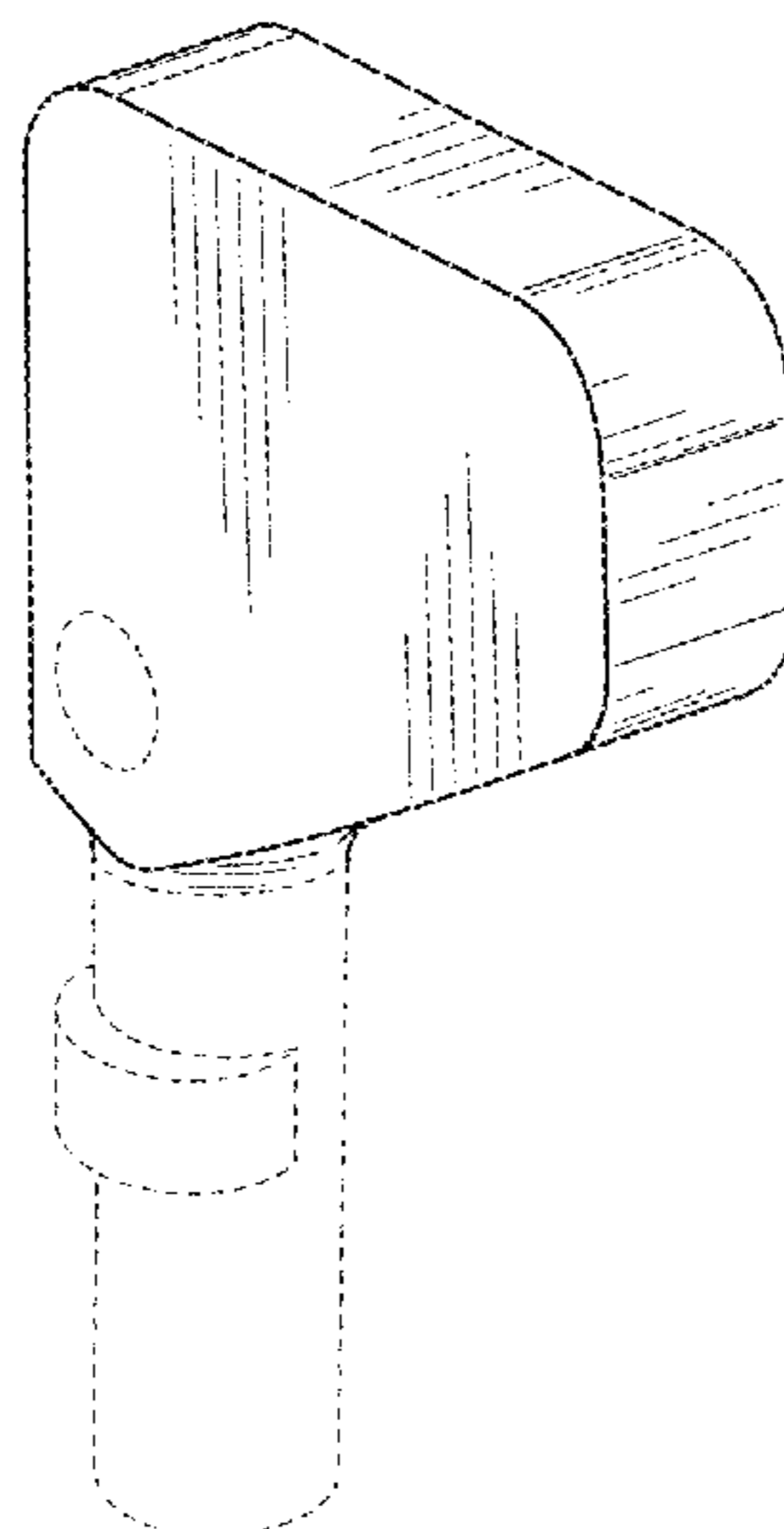
FIG. 1 is a top, front, left side perspective view showing the design according to our new design;
FIG. 2 is a front, left side perspective view thereof;
FIG. 3 is a top, rear, left side, perspective view thereof;
FIG. 4 is a bottom, rear, right side, perspective view thereof;
FIG. 5 is a rear, right side perspective view thereof; and,
FIG. 6 is a top, rear, right side, perspective view thereof.
The cylindrical shaft with a partially-circumferential protrusion extending from the head and the through hole extending through both planar surfaces of the head as shown are illustrated in broken line and form no part of the claimed design.

(56) **References Cited**

U.S. PATENT DOCUMENTS

3,420,077 A 1/1969 Drazin
D246,761 S * 12/1977 Kelley D8/347
D290,085 S 6/1987 Foshee
D332,388 S 1/1993 Marotto
5,400,629 A 3/1995 Myers

1 Claim, 2 Drawing Sheets



(56)

References Cited

U.S. PATENT DOCUMENTS

D733,523 S	7/2015	Kobayashi	
D759,462 S	6/2016	Bransgrove	
D761,081 S	7/2016	Yamada	
9,771,739 B1 *	9/2017	Wells	E05B 19/04
D955,856 S	6/2022	Moore	

* cited by examiner

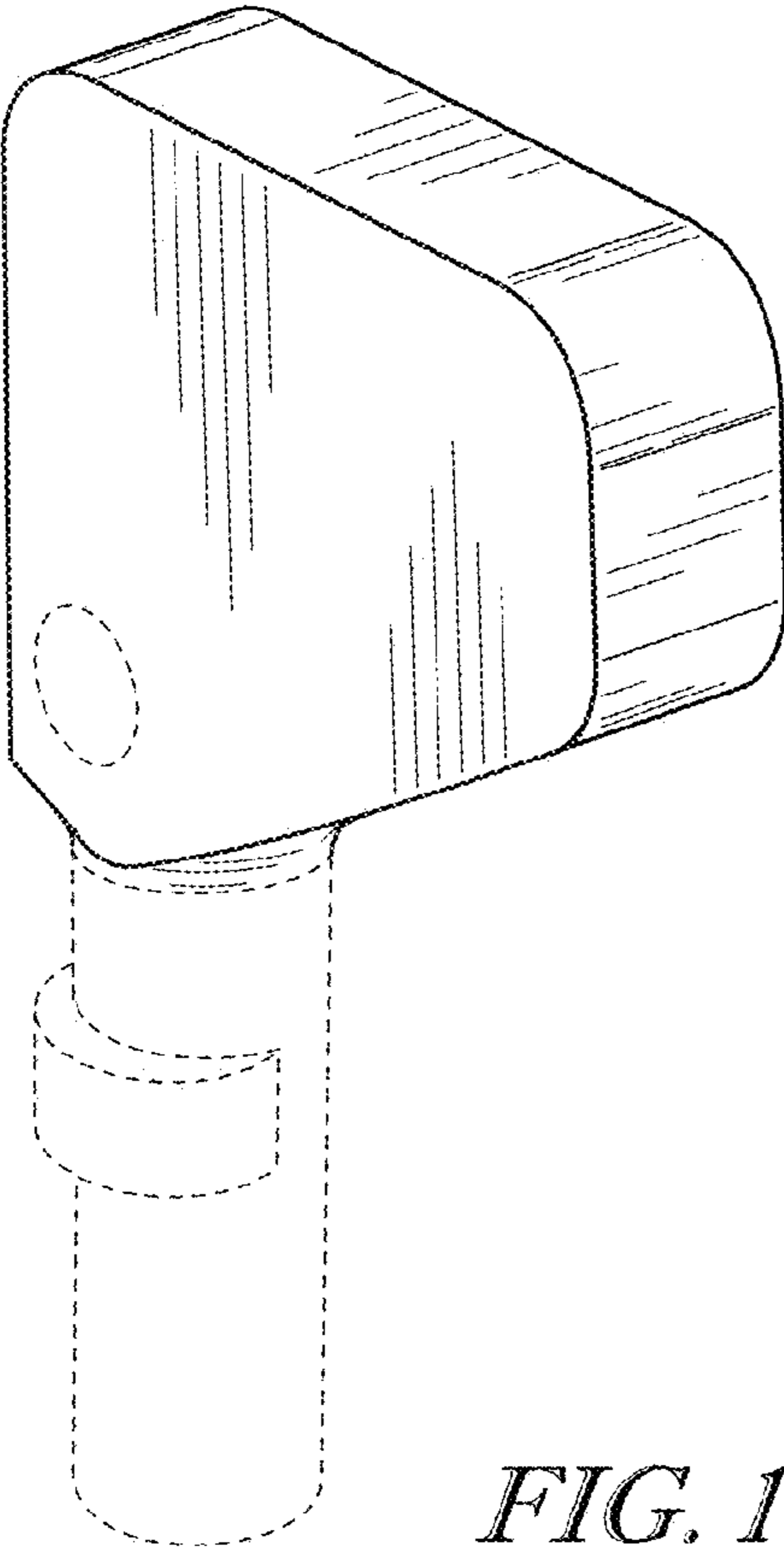


FIG. 1

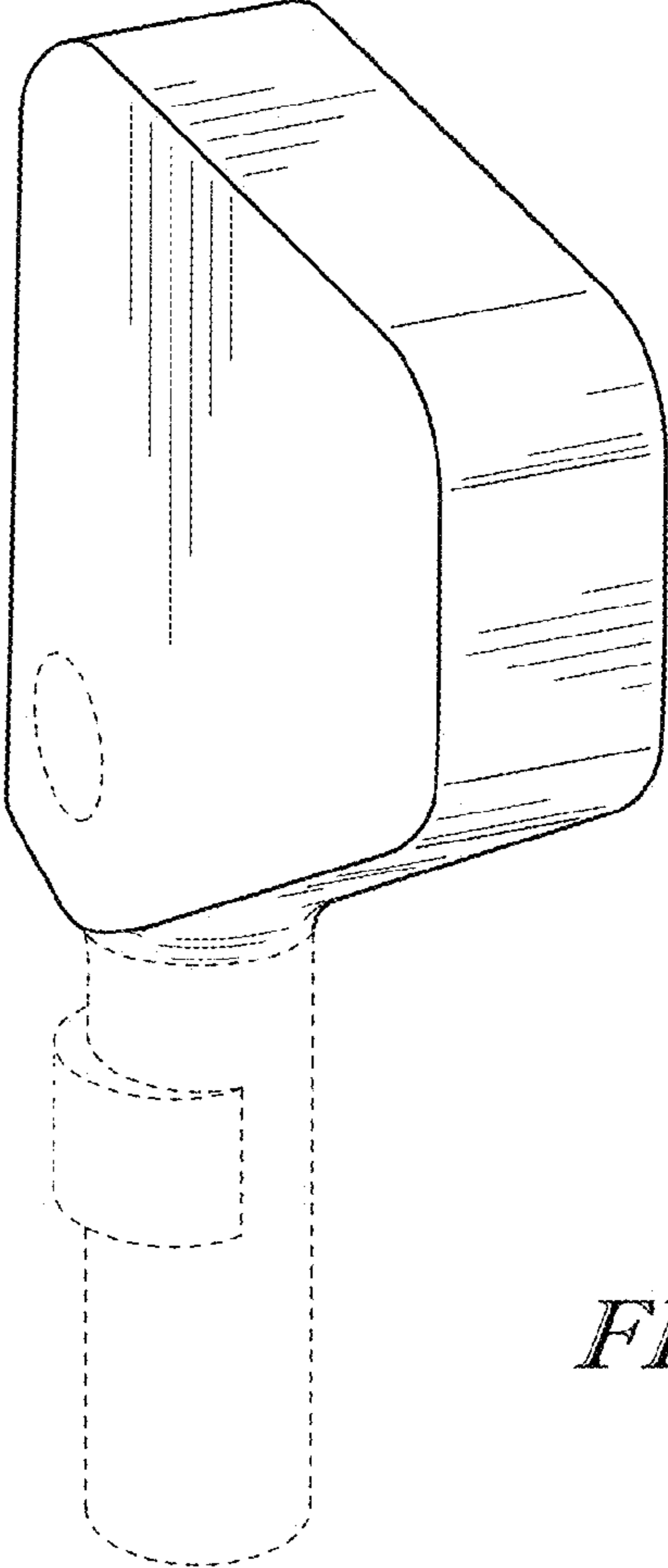


FIG. 2

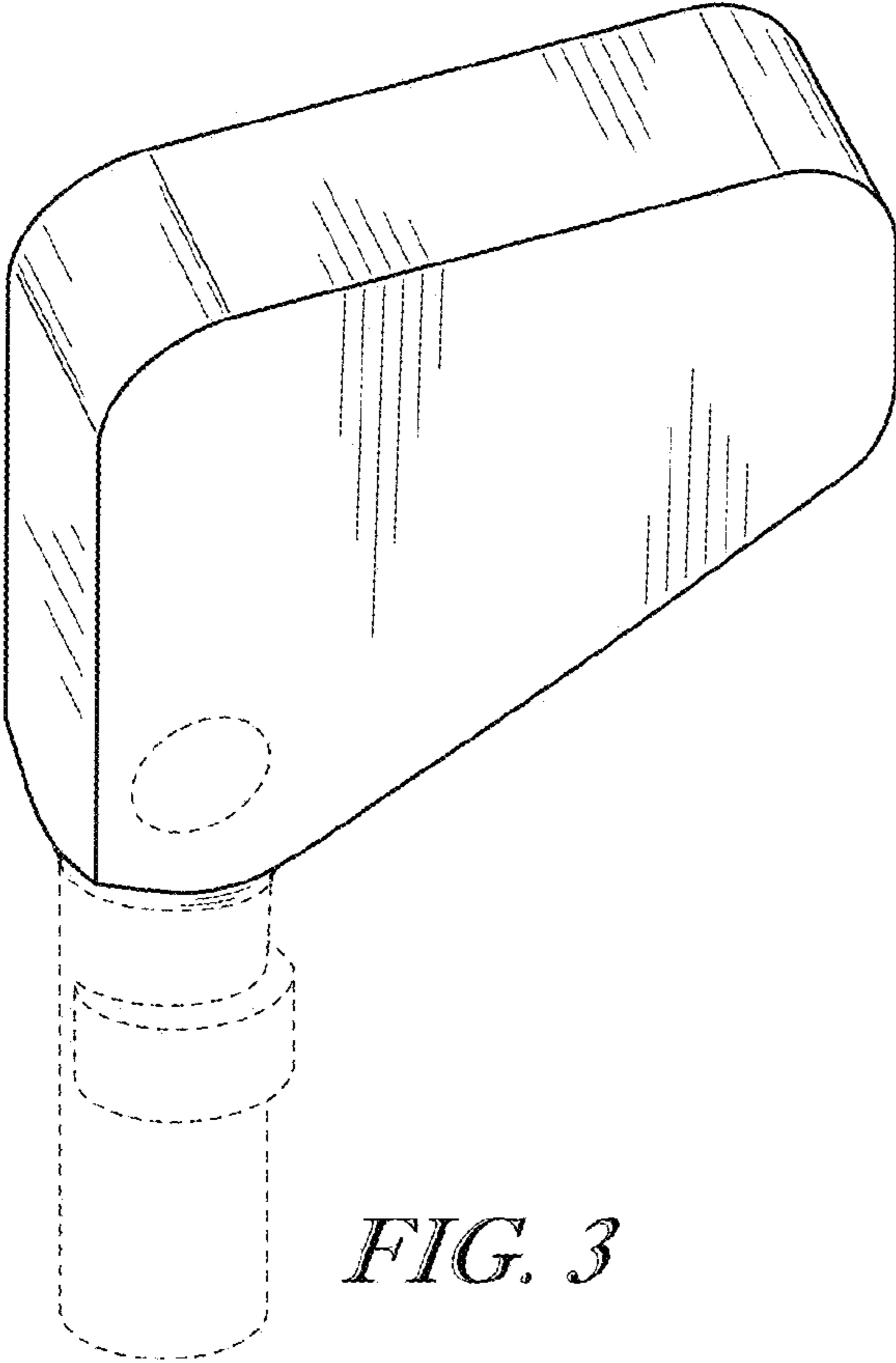


FIG. 3

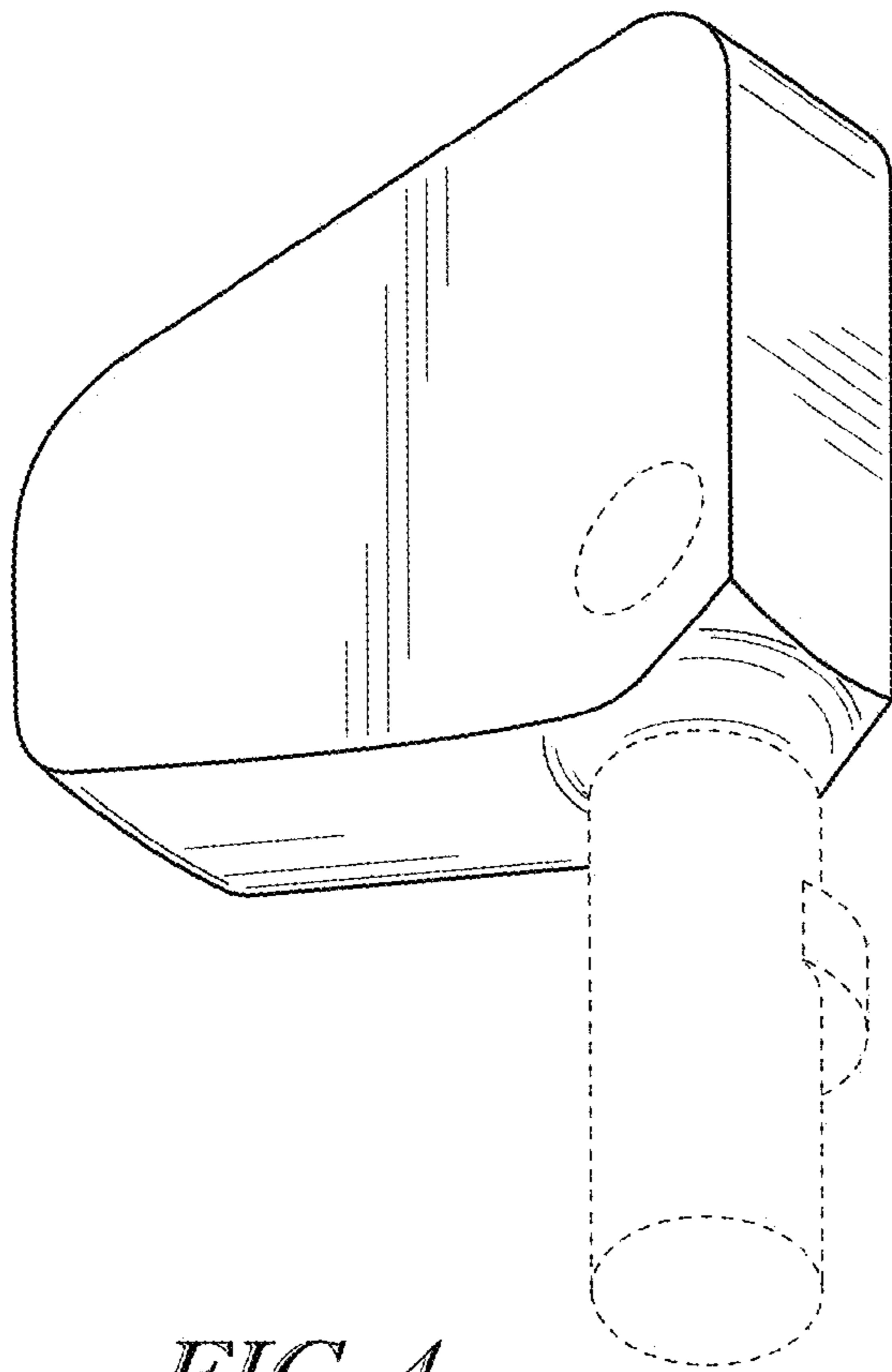


FIG. 4

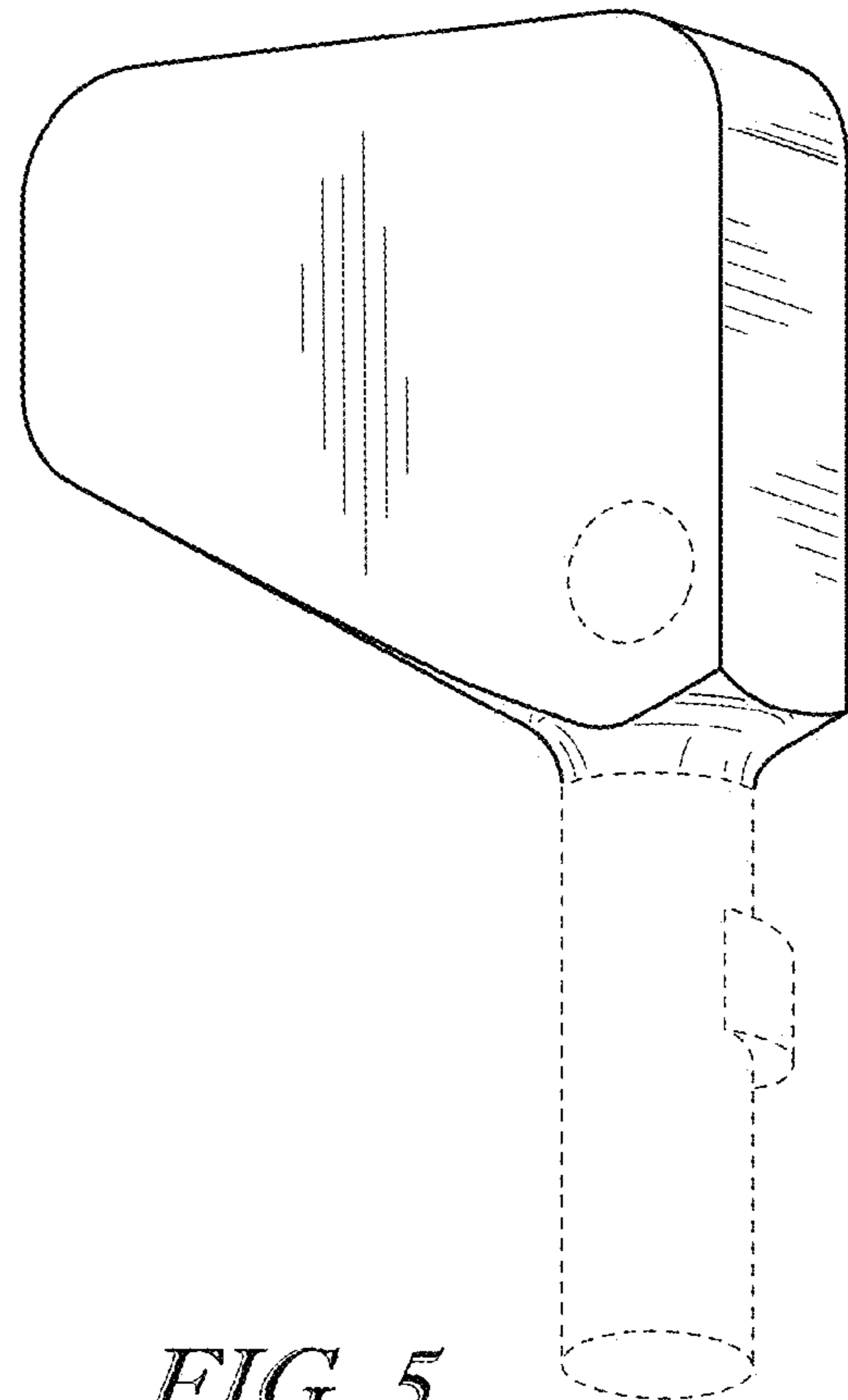


FIG. 5

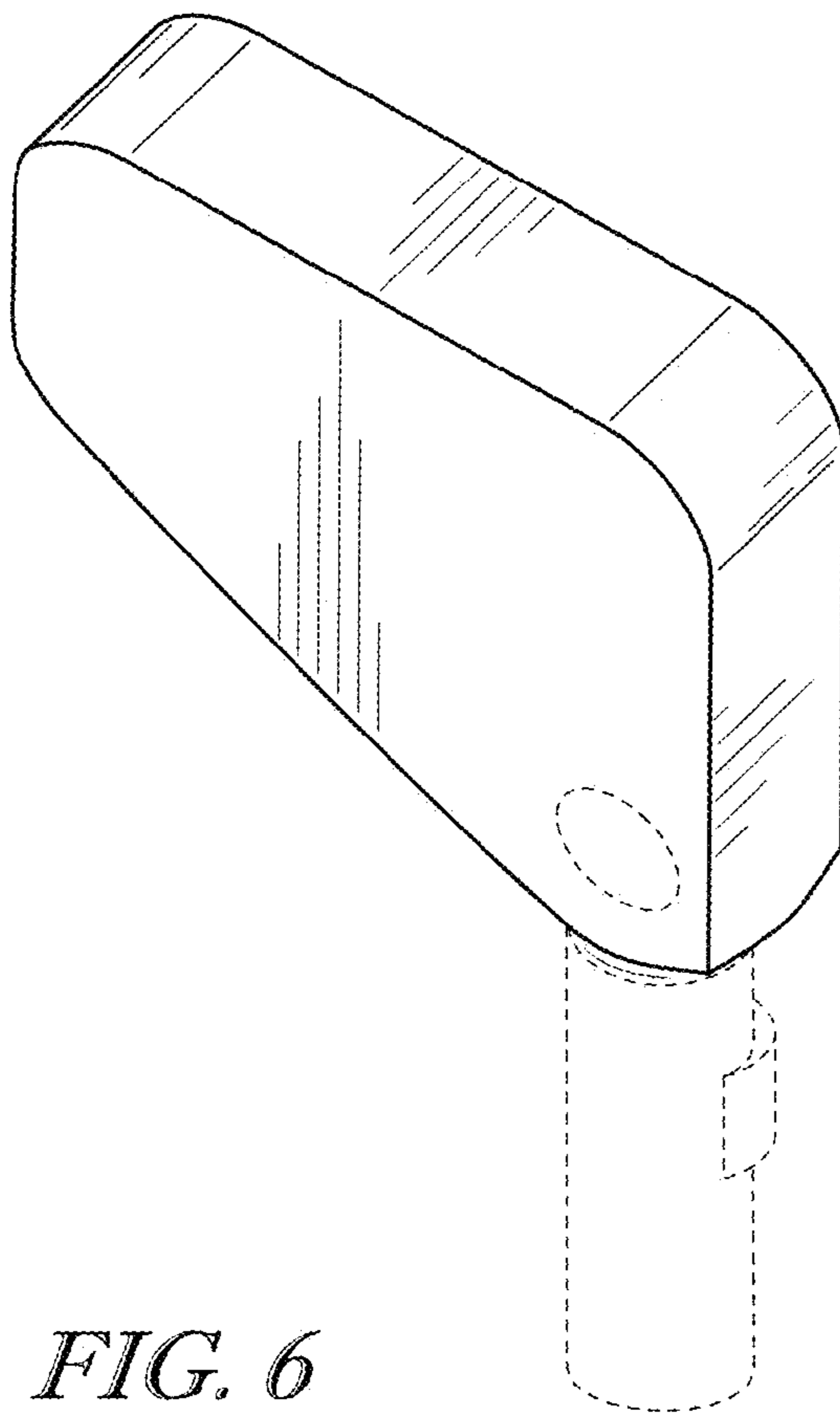


FIG. 6