



US00D973462S

(12) **United States Design Patent** (10) **Patent No.:** **US D973,462 S**
Gross et al. (45) **Date of Patent:** **** Dec. 27, 2022**

(54) **VEHICLE HOOD LATCH**
(71) Applicant: **PACCAR Inc**, Bellevue, WA (US)
(72) Inventors: **Zachary Steven Gross**, Flower Mound, TX (US); **Jonathan Scott Duncan**, Seattle, WA (US); **Amanda Allison Koh**, Seattle, WA (US)
(73) Assignee: **PACCAR Inc**, Bellevue, WA (US)
(**) Term: **15 Years**
(21) Appl. No.: **29/723,147**
(22) Filed: **Feb. 4, 2020**
(51) **LOC (13) Cl.** **08-07**
(52) **U.S. Cl.**
USPC **D8/343; D12/400**
(58) **Field of Classification Search**
USPC D12/169, 203, 171, 196, 197, 198, 199, D12/200, 114, 173, 190, 400; D8/330, D8/331, 336, 338
CPC E05C 19/10; E05C 19/12; E05C 19/14; B60R 19/02; B60R 19/04
See application file for complete search history.

D844,523 S * 4/2019 Goodrich D12/169
D889,932 S * 7/2020 Zeng D8/331
D900,588 S * 11/2020 Rolfs D8/331

OTHER PUBLICATIONS

“Search Results for ‘Hood Latch’,” Raney’s, https://www.raneystruckparts.com/searchresults.html?search_query=hood+latch&Search#?keywords=hood+latch&Attributelabel=Hood+Latches&search_return=all&res_per_page=100, retrieved Dec. 30, 2020, 13 pages.

* cited by examiner

Primary Examiner — Susan E Krakower

Assistant Examiner — Jerry Shiuan-Hua Hsu

(74) *Attorney, Agent, or Firm* — Seed IP Law Group LLP

(57) **CLAIM**

The ornamental design for a vehicle hood latch, as shown and described.

DESCRIPTION

FIG. 1 is a top isometric view of a vehicle hood latch, showing our new design.

FIG. 2 is a bottom isometric view thereof.

FIG. 3 is a front elevational view thereof.

FIG. 4 is a rear elevational view thereof.

FIG. 5 is a left side elevational view thereof.

FIG. 6 is a right side elevational view thereof.

FIG. 7 is a top plan view thereof; and,

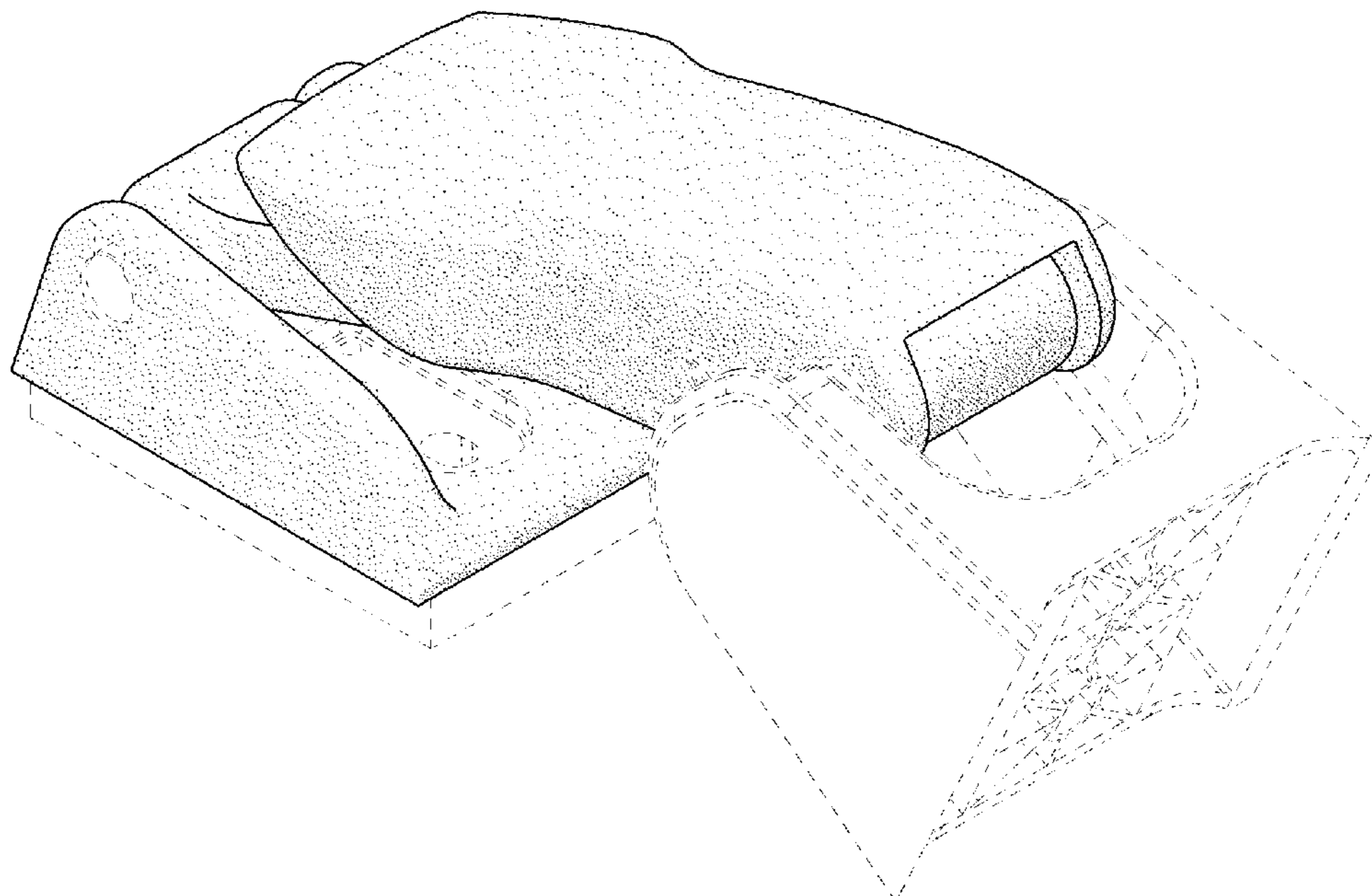
FIG. 8 is a bottom plan view thereof.

The broken lines shown in the drawings depict portions of the vehicle hood latch that form no part of the claimed design.

1 Claim, 6 Drawing Sheets

(56) **References Cited**
U.S. PATENT DOCUMENTS

D371,954 S * 7/1996 Ford D8/331
D630,571 S * 1/2011 Kading D12/400
D692,290 S * 10/2013 Stanesic D8/331
D701,445 S * 3/2014 Terpsma D8/343
D727,134 S * 4/2015 Yamamoto D8/336
D778,707 S * 2/2017 Tonelli D8/343
D779,306 S * 2/2017 Finkelstein D8/343
9,765,555 B2 * 9/2017 Evans E05B 83/243
D826,027 S * 8/2018 Carey D8/343
D835,552 S * 12/2018 Goodrich D12/190



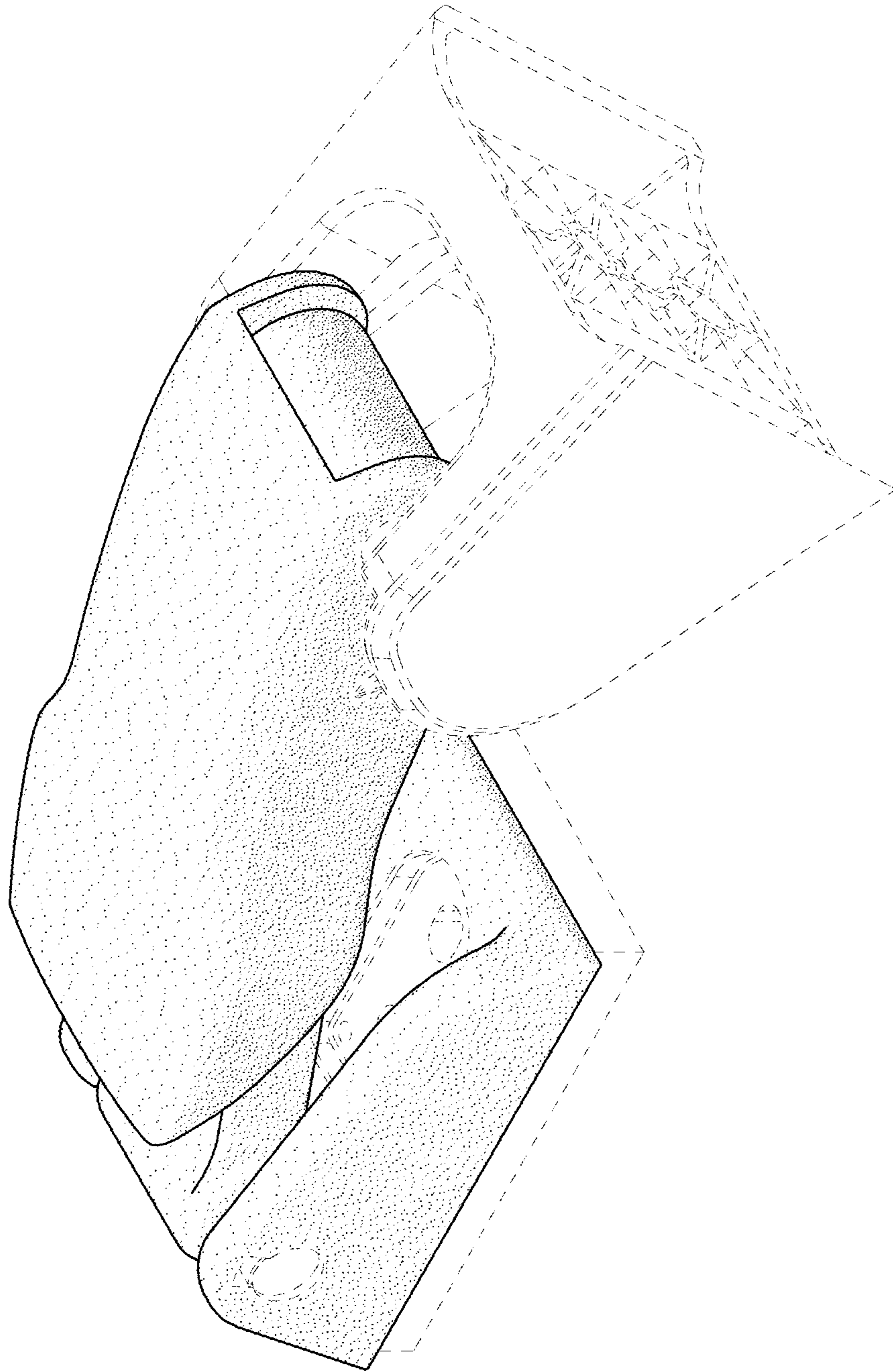


FIG. 1

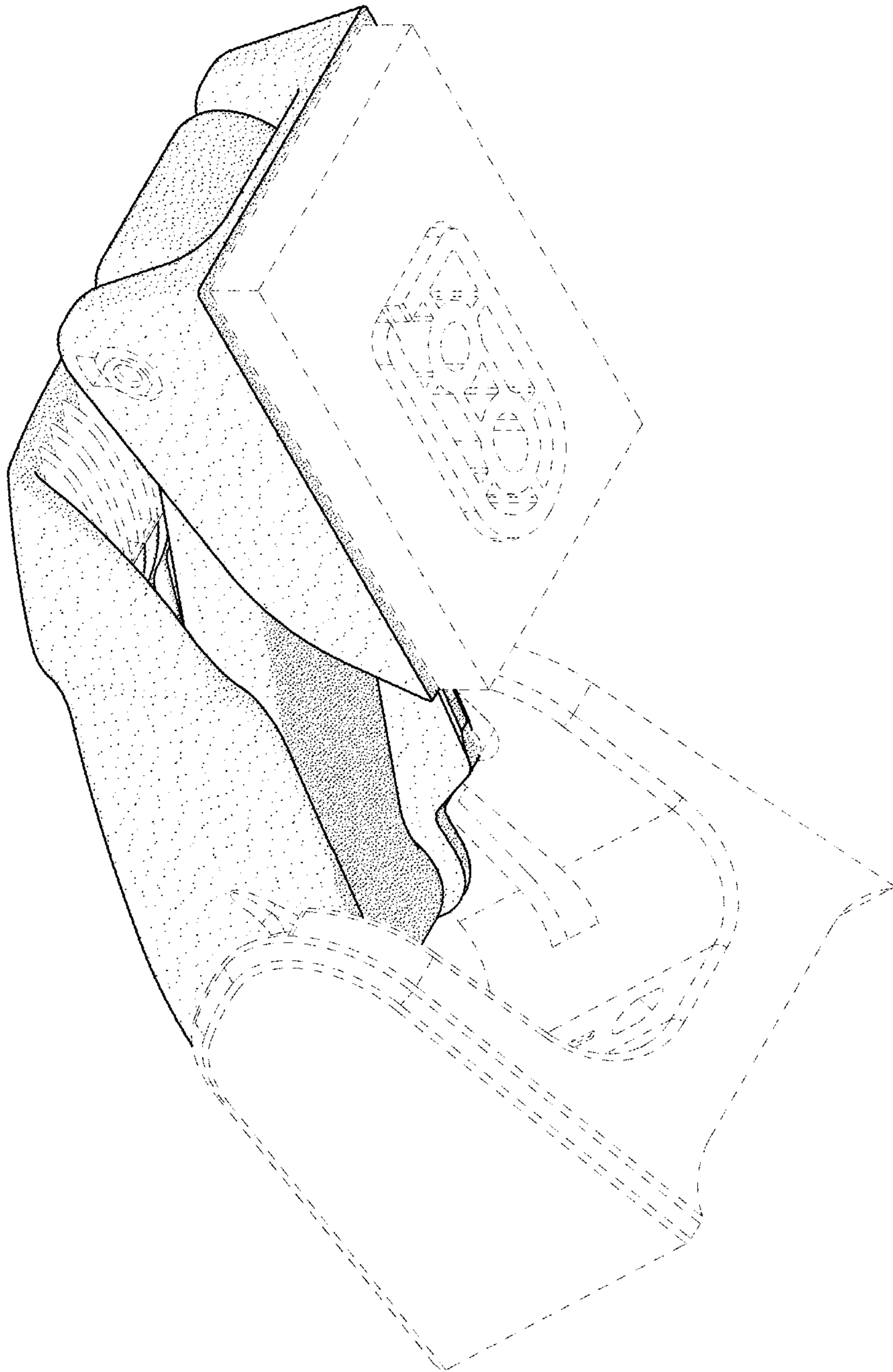


FIG. 2

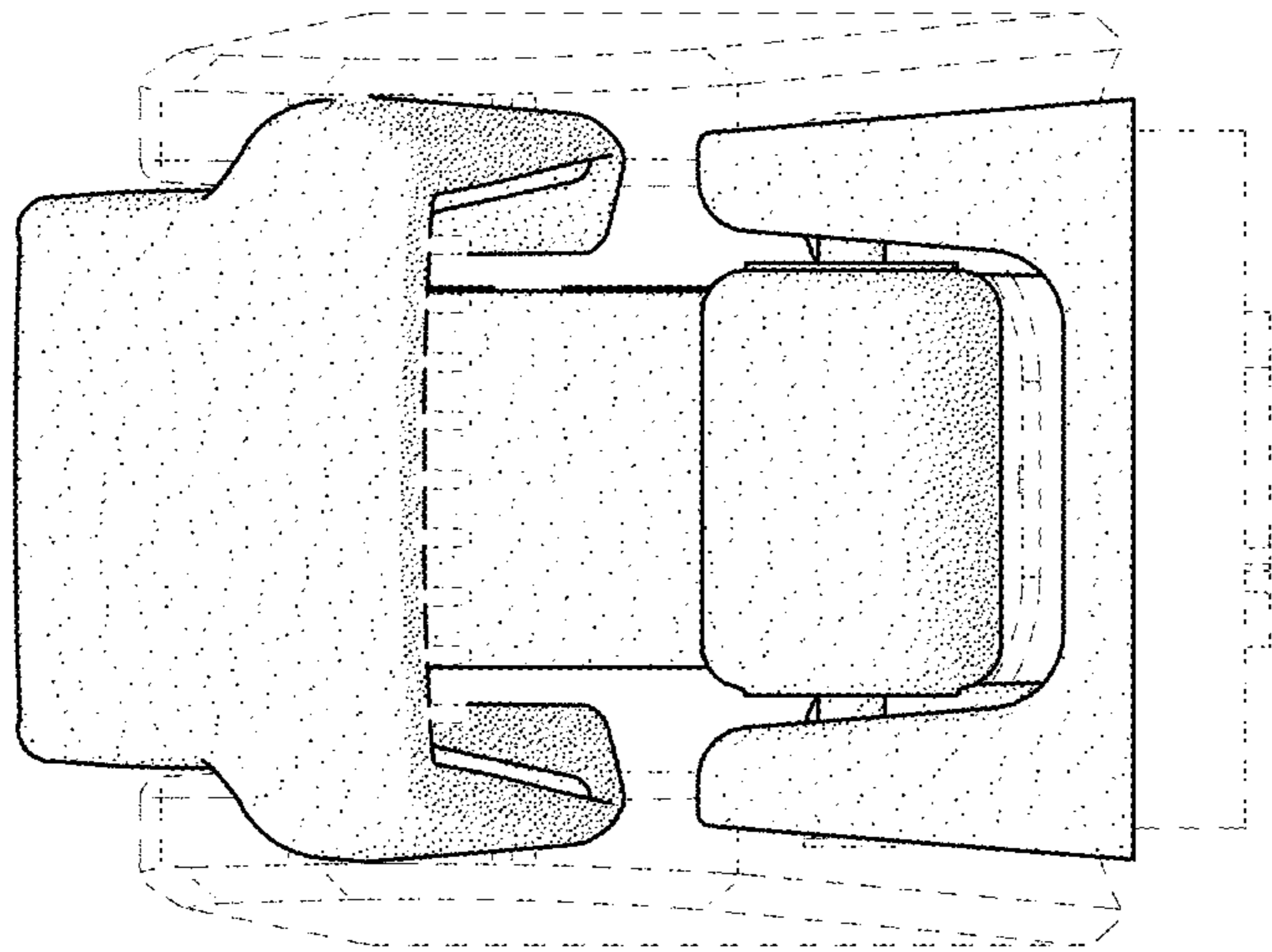


FIG. 4

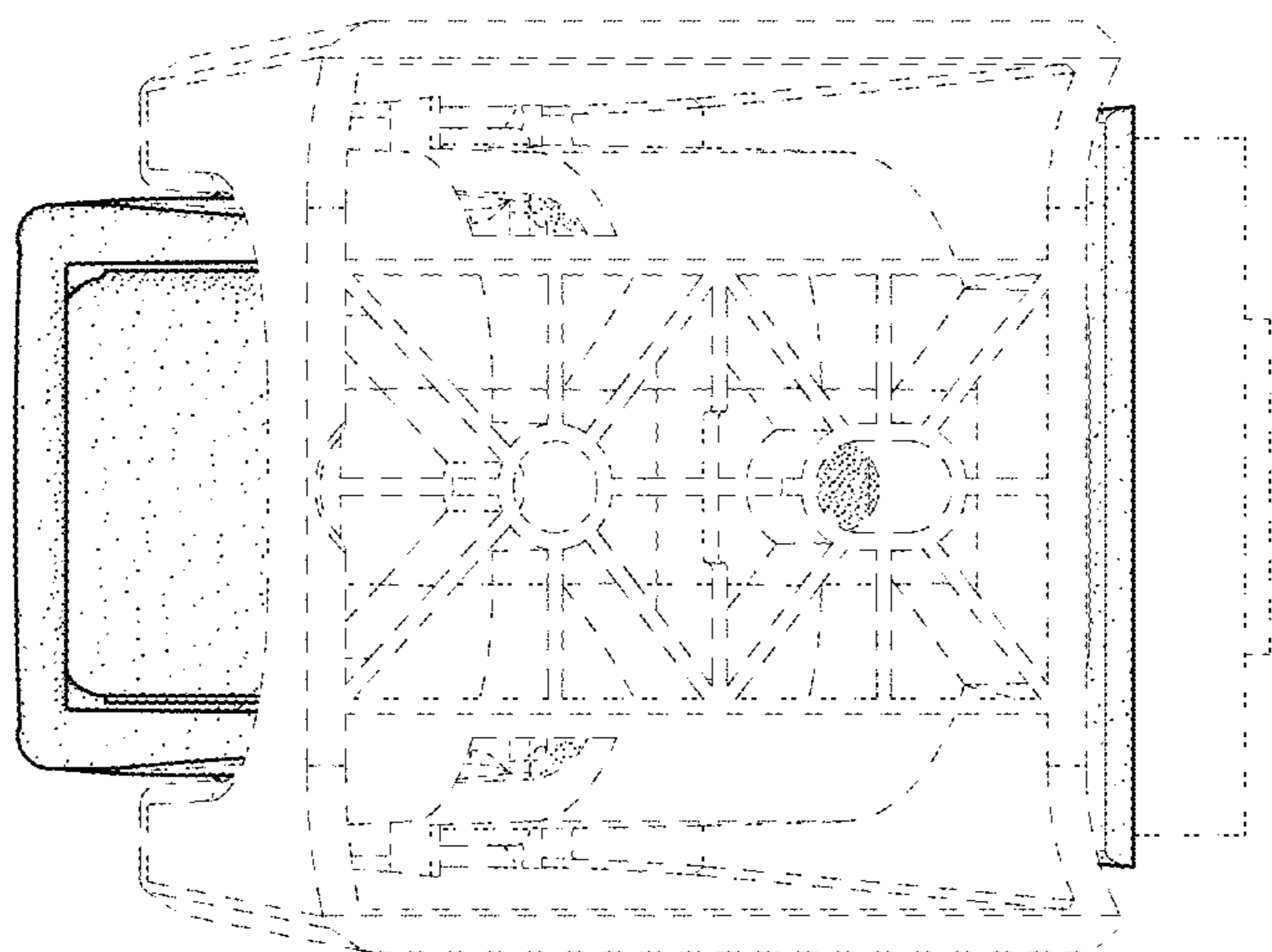


FIG. 3

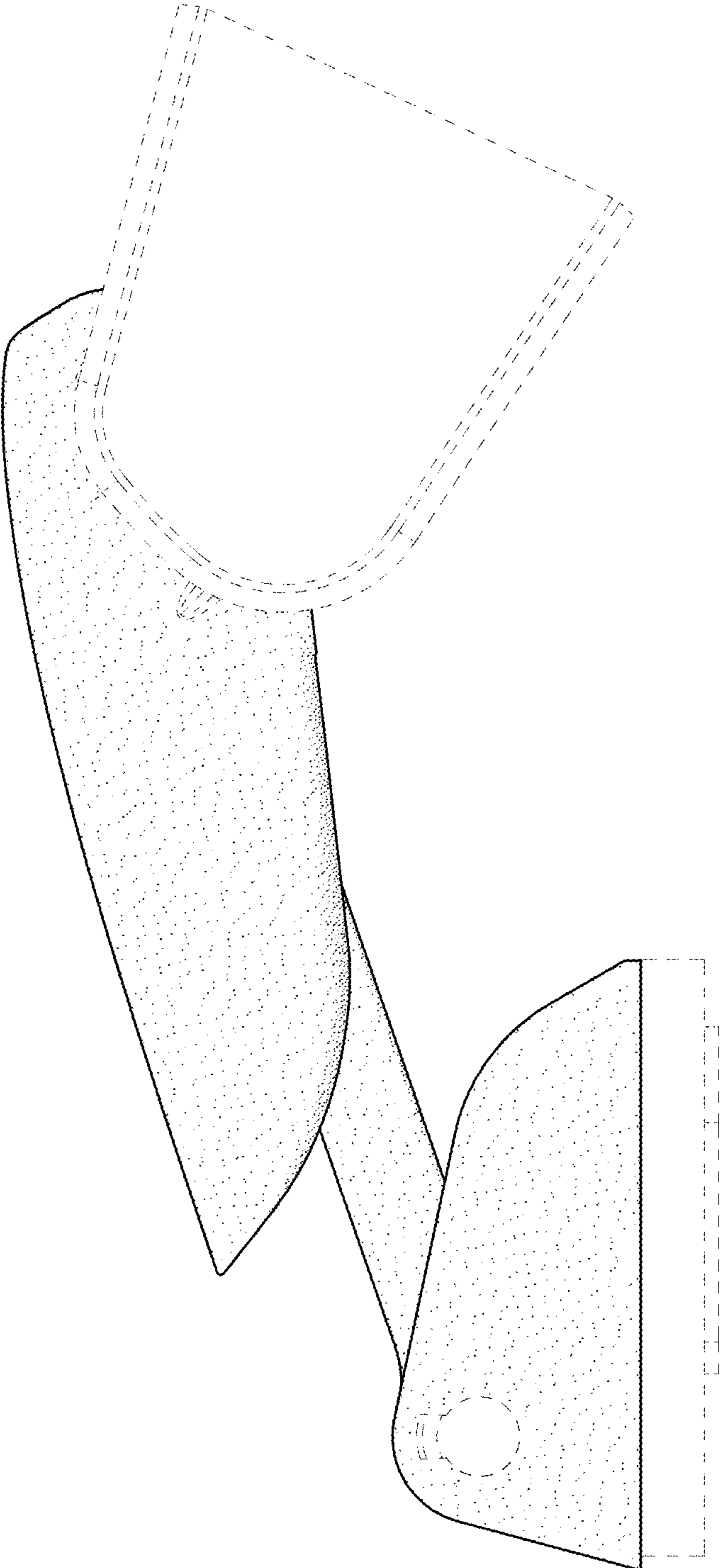


FIG. 5

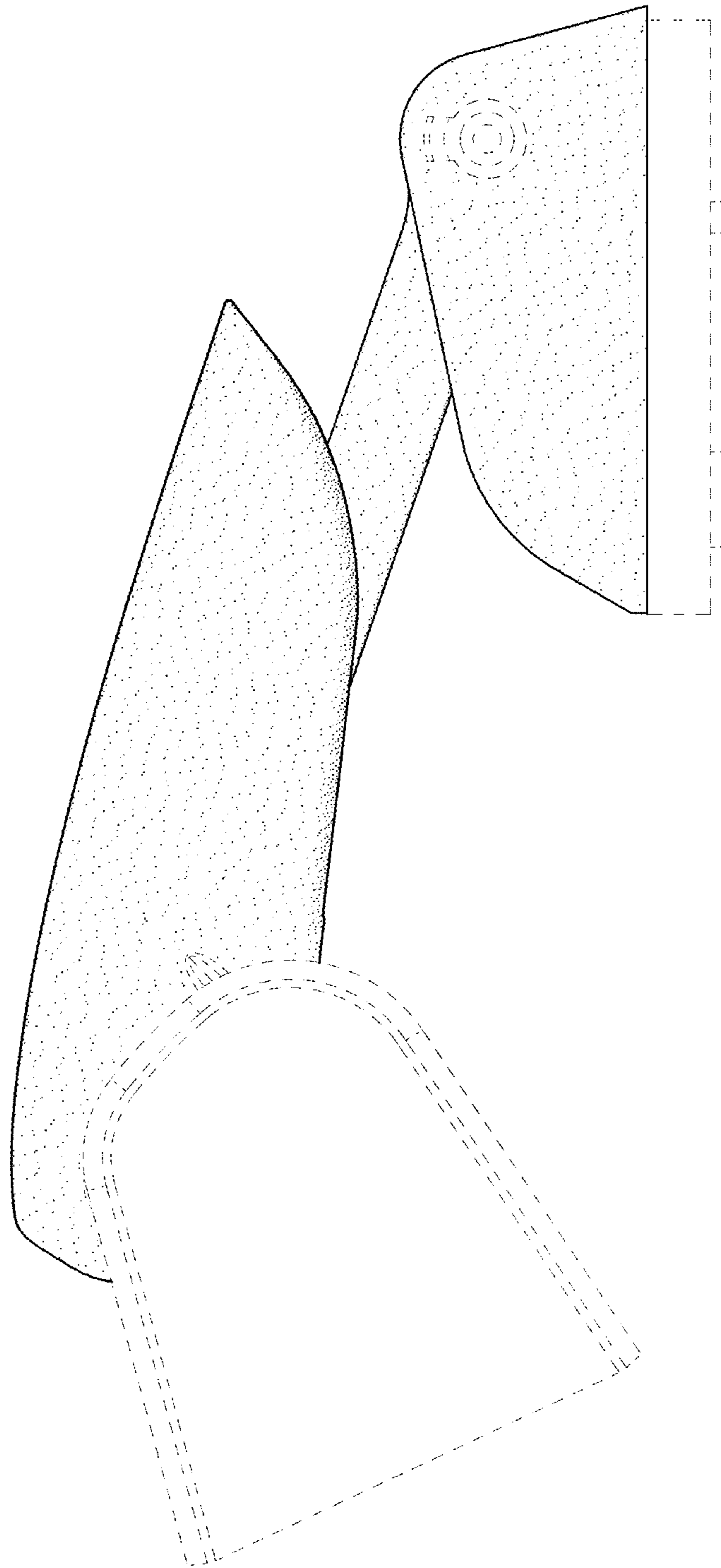


FIG. 6

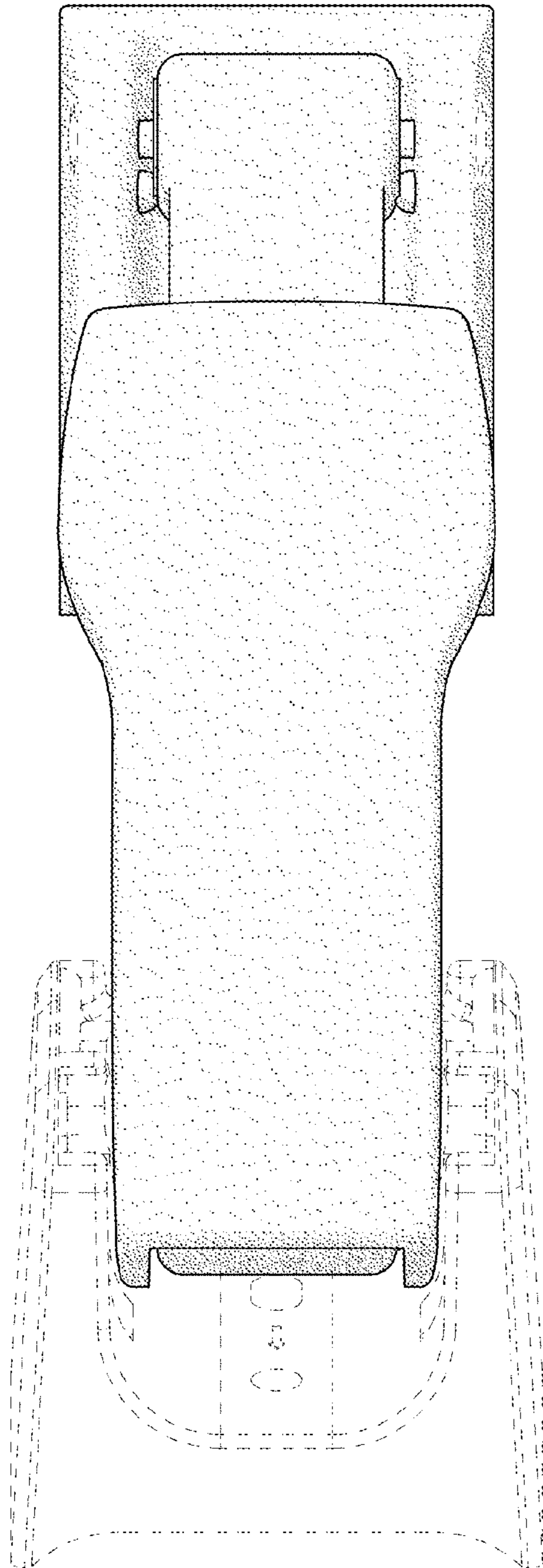


FIG. 7

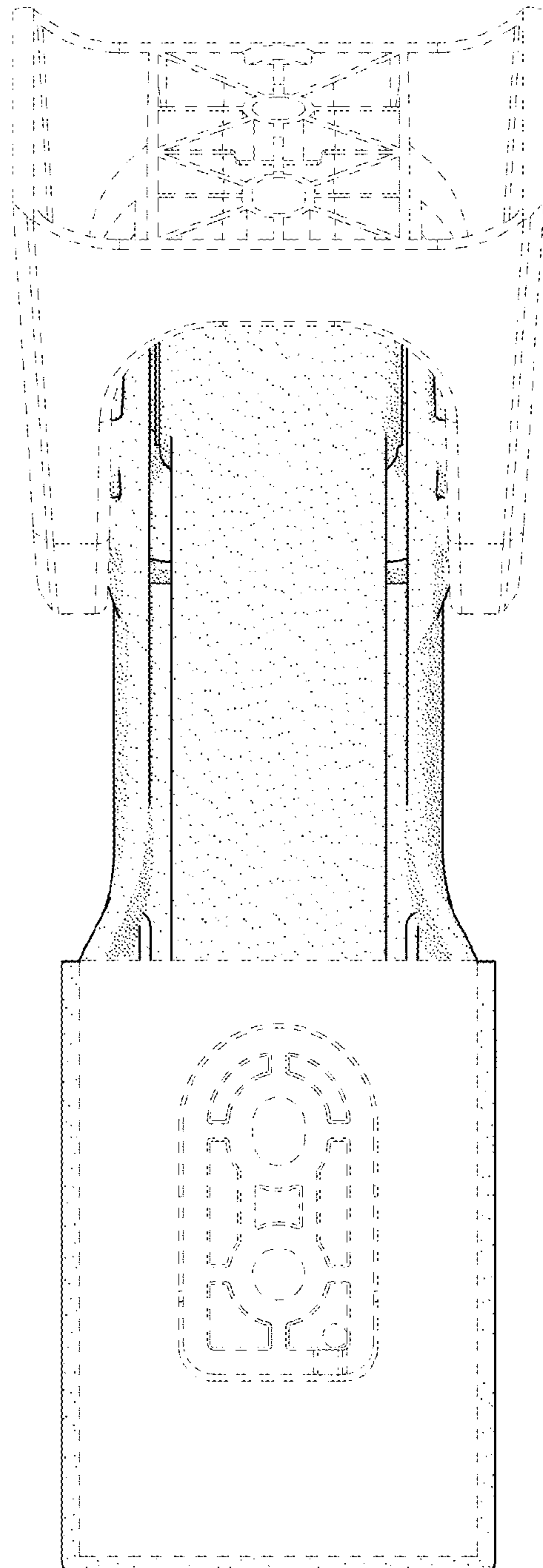


FIG. 8