



US00D973460S

(12) **United States Design Patent** (10) **Patent No.:** **US D973,460 S**
Imsand et al. (45) **Date of Patent:** **** Dec. 27, 2022**

(54) **HAMMER** D748,447 S * 2/2016 Hung B32B 37/24
D835,488 S * 12/2018 Hung D8/75
(71) Applicant: **APEX BRANDS, INC.**, Apex, NC D837,019 S * 1/2019 Hyma D8/78
(US) D837,020 S * 1/2019 Hyma D8/78
(72) Inventors: **Nicholas Ryan Imsand**, Huntersville, D837,021 S * 1/2019 Hyma D8/78
NC (US); **Jonathan Eziquiel-Shriro**, D867,090 S * 11/2019 Hyma A62C 8/00
St. Louis, MO (US) D872,555 S * 1/2020 Lipscomb D8/75
D922,167 S * 6/2021 Authier D8/75
(73) Assignee: **Apex Brands, Inc.**, Apex, NC (US) 2014/0165787 A1* 6/2014 Lombardi B32B 37/24
81/22
(**) Term: **15 Years** 2015/0068366 A1* 3/2015 Lombardi B25D 1/00
81/20
(21) Appl. No.: **29/772,800** 2021/0323133 A1* 10/2021 Imsand B25D 1/00
2021/0323134 A1* 10/2021 Imsand B25D 1/02

(22) Filed: **Mar. 4, 2021**
(51) **LOC (13) Cl.** **08-02**
(52) **U.S. Cl.**
USPC **D8/78; D8/79**
(58) **Field of Classification Search**
USPC D8/75, 76, 77, 78, 79, 80, 81
CPC ... B25D 1/00; B25D 1/02; B25D 1/04; B25D
1/045; B25D 1/06; B25D 1/10; B25D
1/12; B25G 1/102
See application file for complete search history.

(56) **References Cited**
U.S. PATENT DOCUMENTS
D303,208 S * 9/1989 Chung B25D 1/00
D8/75
D603,676 S * 11/2009 Higgs D8/75
D628,870 S * 12/2010 Jerabek D8/78
D676,301 S * 2/2013 Vanderbeek D8/75
D683,608 S * 6/2013 Trice A62C 8/00
D8/78
D716,126 S * 10/2014 Dahlberg D8/75
9,193,059 B2 * 11/2015 Lombardi B25G 1/10
D747,943 S * 1/2016 Hung D8/75

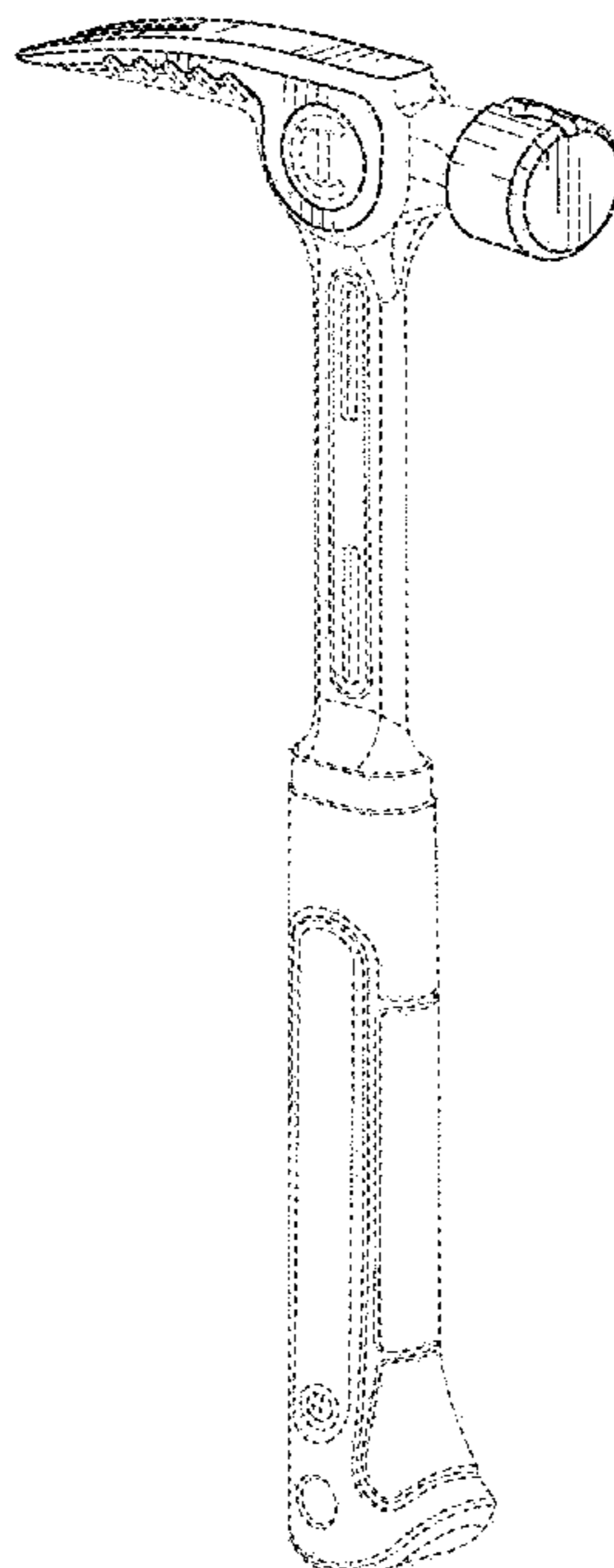
* cited by examiner
Primary Examiner — Philip S Hyder
(74) *Attorney, Agent, or Firm* — Burr & Forman, LLP

(57) **CLAIM**
The ornamental design for a hammer, as shown and described.

DESCRIPTION

FIG. 1 is a perspective view of a hammer in accordance with a first embodiment of the present invention;
FIG. 2 is a right side view of the hammer of FIG. 1;
FIG. 3 is a left side view of the hammer of FIG. 1;
FIG. 4 is a rear view of the hammer of FIG. 1;
FIG. 5 is a front view of the hammer of FIG. 1;
FIG. 6 is a top view of the hammer of FIG. 1; and,
FIG. 7 is a bottom view of the hammer of FIG. 1.
The broken lines of FIGS. 1-7 illustrate portions of the hammer that form no part of the claimed design.

1 Claim, 7 Drawing Sheets



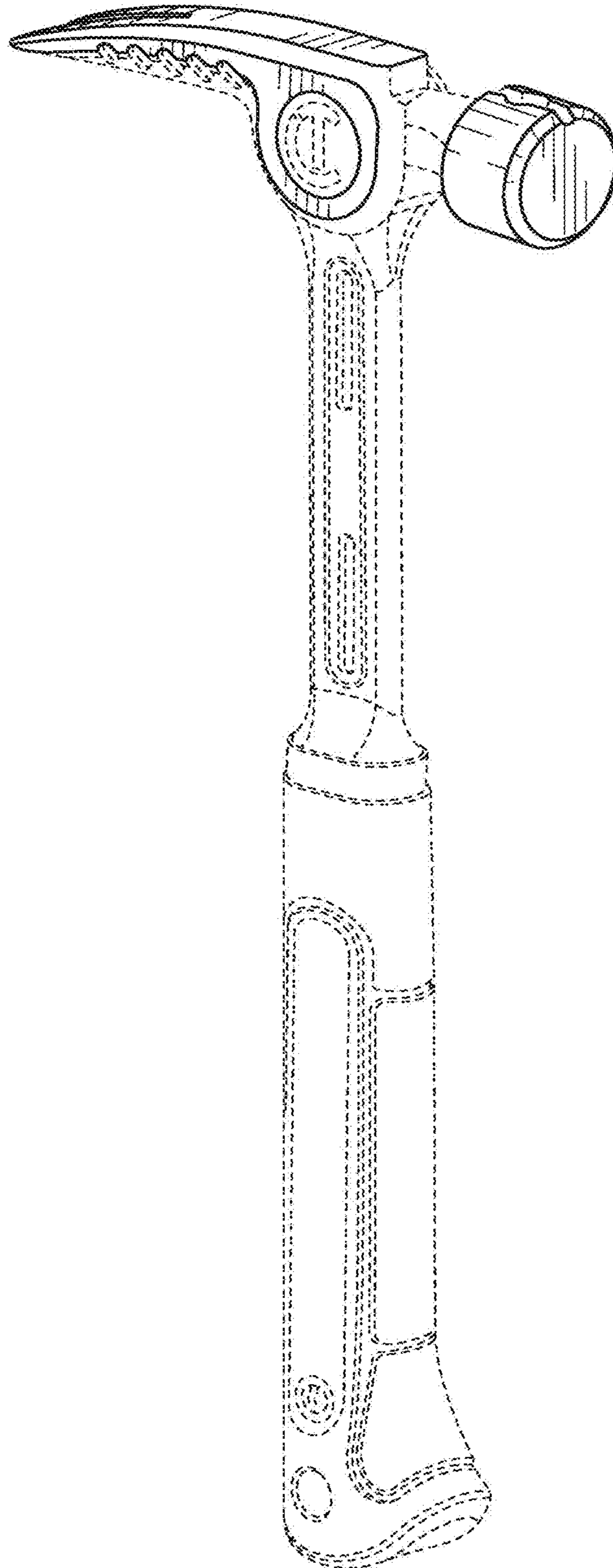


FIG. 1

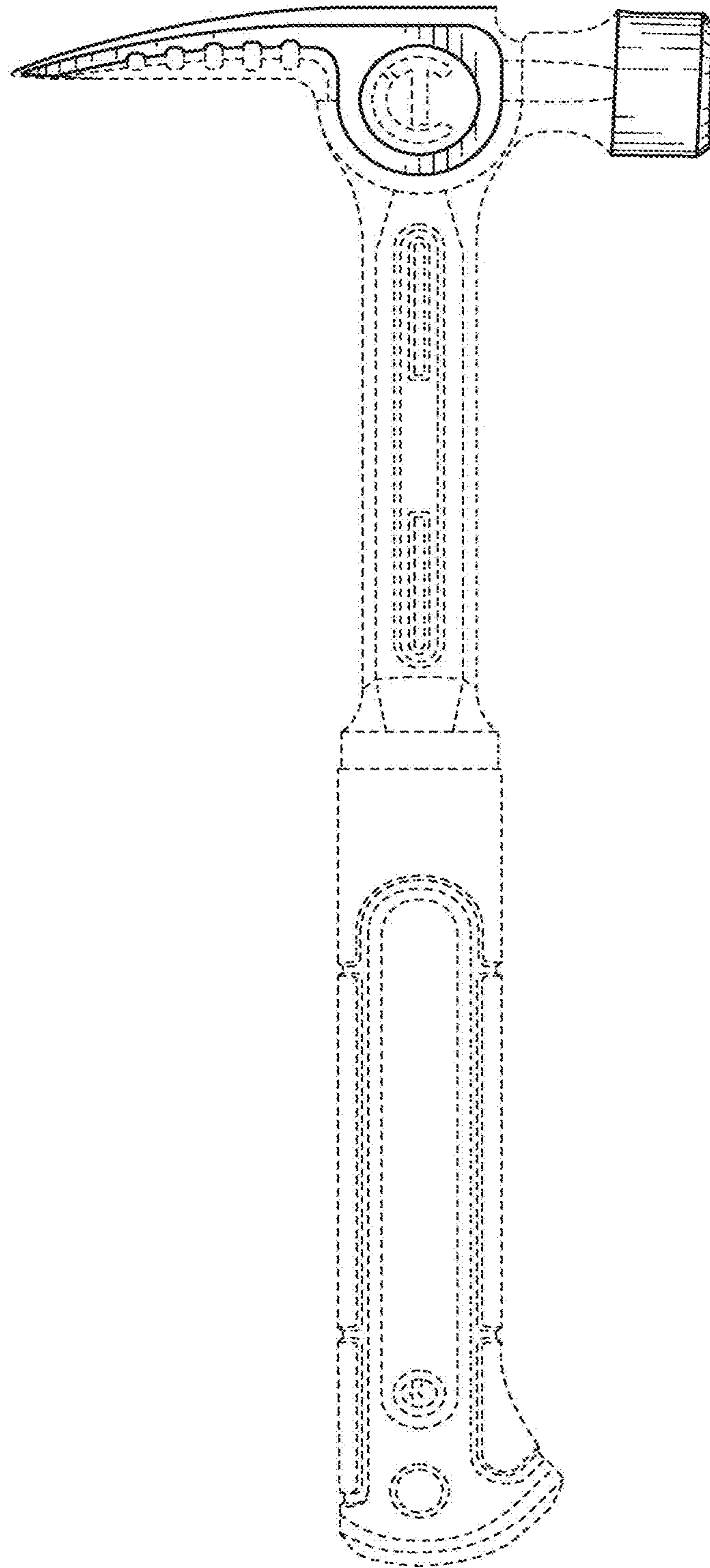


FIG. 2

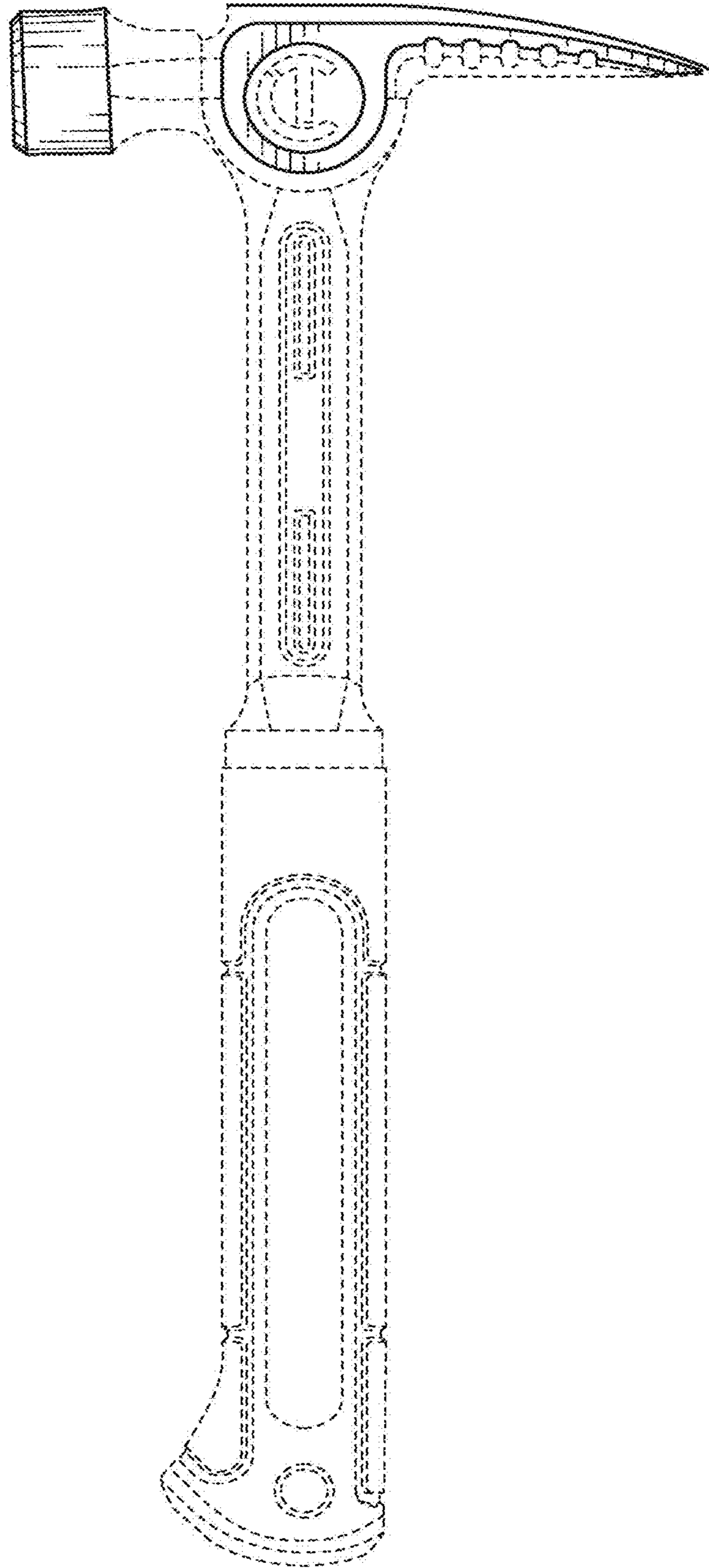


FIG. 3

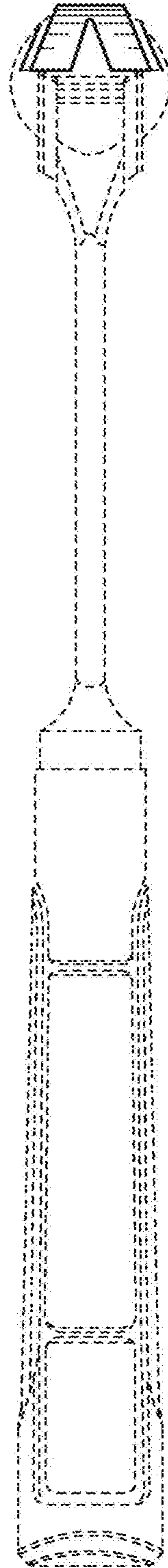


FIG. 4

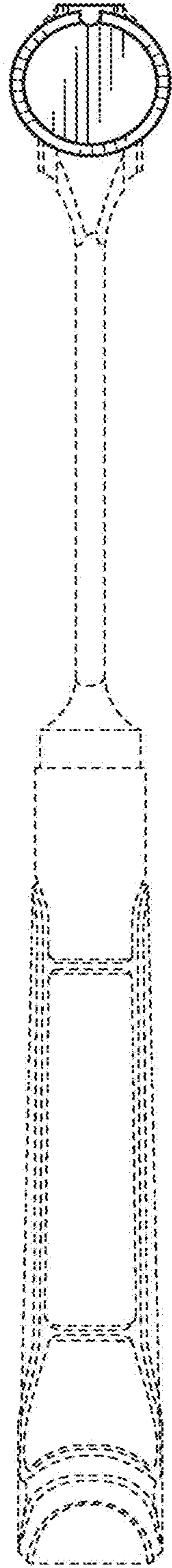


FIG. 5

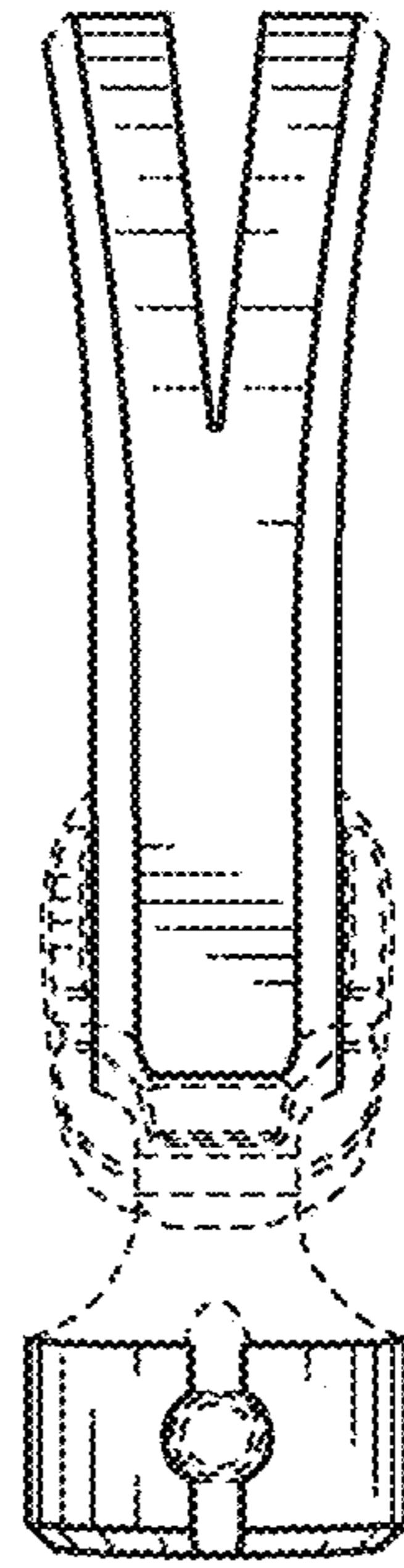


FIG. 6

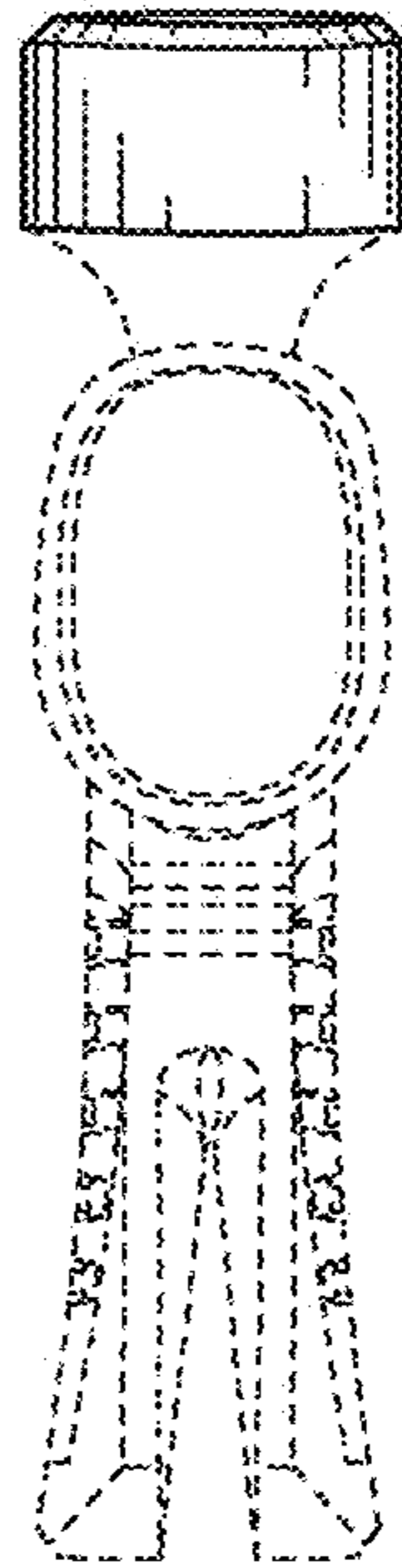


FIG. 7